



US00D747050S

(12) **United States Design Patent**
Martin et al.

(10) **Patent No.:** **US D747,050 S**
(45) **Date of Patent:** **** Jan. 5, 2016**

(54) **HOUSING OF A PORTABLE BLOWER/VACUUM**
(71) Applicant: **The Toro Company**, Bloomington, MN (US)
(72) Inventors: **David J. Martin**, Eden Prairie, MN (US); **Philip C. Dretzka**, Woodbury, MN (US); **Chadwick A. Shaffer**, Oakdale, MN (US)

D299,570 S 1/1989 Kiyooka et al.
D299,571 S 1/1989 Kiyooka et al.
4,870,714 A 10/1989 Miner
D304,510 S 11/1989 Baker et al.
4,884,314 A 12/1989 Miner et al.
4,912,805 A * 4/1990 Krasznai et al. 15/392

(Continued)

(73) Assignee: **The Toro Company**, Bloomington, MN (US)

FOREIGN PATENT DOCUMENTS

GB 324972 2/1930

(**) Term: **14 Years**

OTHER PUBLICATIONS

http://www.homedepot.com/p/Toro-Ultra-250-mph-350-CFM-Electric-12-Amp-Blower-Vacuum-Mulcher-51619/205746070?N=5yc1vZbxav#customer_reviews (Apr. 24, 2007).*

(21) Appl. No.: **29/490,839**

(Continued)

(22) Filed: **May 14, 2014**

Primary Examiner — T. Chase Nelson

(51) **LOC (10) Cl.** **15-05**

Assistant Examiner — Michelle E Wilson

(52) **U.S. Cl.**
USPC **D32/15**

(74) *Attorney, Agent, or Firm* — Muetting, Raasch & Gebhardt, P.A.

(58) **Field of Classification Search**
USPC D32/1, 15, 21, 25, 16-18; 15/344-345, 15/405, 414-415.1; D23/383
See application file for complete search history.

(57) **CLAIM**

The ornamental design for a housing of a portable blower/vacuum, as shown and described.

(56) **References Cited**

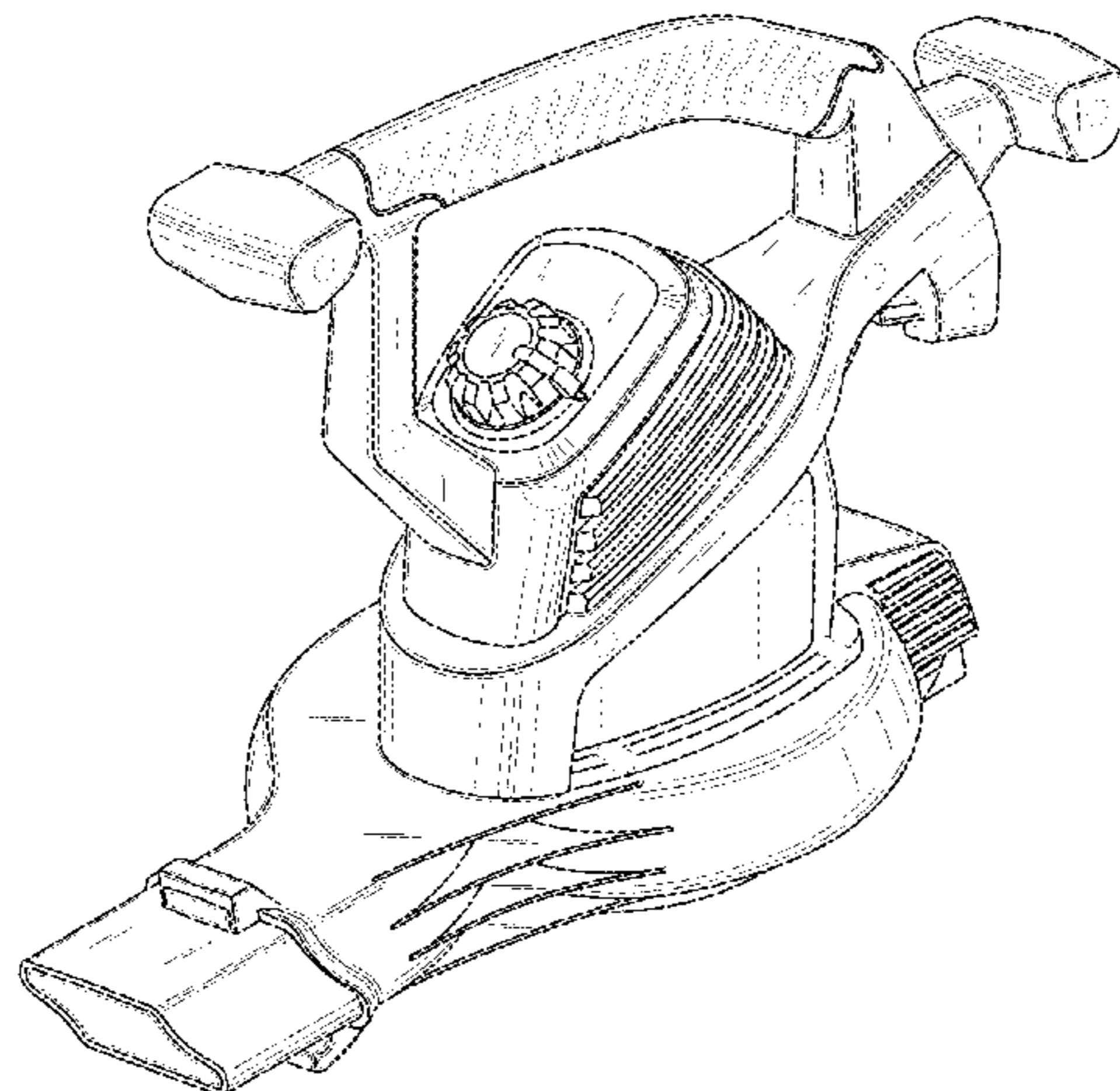
DESCRIPTION

U.S. PATENT DOCUMENTS

2,024,367 A * 12/1935 Eriksson-Jons 15/330
4,269,571 A 5/1981 Shikutani et al.
4,288,886 A 9/1981 Siegler
4,290,165 A 9/1981 Hiramatsu et al.
D263,547 S 3/1982 Carsello
4,325,163 A 4/1982 Mattson et al.
4,413,371 A 11/1983 Tuggle et al.
4,451,951 A 6/1984 Satoh
D279,319 S 6/1985 McCloskey et al.
4,550,277 A * 10/1985 Carney 388/809
4,644,606 A 2/1987 Luerken et al.
4,674,146 A 6/1987 Tuggle et al.
4,694,528 A 9/1987 Comer et al.
D299,074 S 12/1988 Tuggle et al.

FIG. 1 is a left front perspective view of a housing of a portable blower/vacuum according to the present invention; FIG. 2 is a right rear perspective view thereof; FIG. 3 is a front elevational view thereof; FIG. 4 is a right side elevational view thereof; FIG. 5 is a left side elevational view thereof; FIG. 6 is a rear elevational view thereof; FIG. 7 is a top plan view thereof; and, FIG. 8 is a bottom plan view thereof. The broken lines depict portions of the housing of a portable blower/vacuum that form no part of the claimed design.

1 Claim, 8 Drawing Sheets



(56)

References Cited

U.S. PATENT DOCUMENTS

D307,655 S 5/1990 Hinklin et al.
 4,928,347 A 5/1990 Krasznai et al.
 4,951,348 A * 8/1990 Krasznai et al. 15/414
 D310,437 S 9/1990 Gierke et al.
 4,955,107 A * 9/1990 Kawai 15/339
 4,968,174 A * 11/1990 Krasznai 403/327
 D313,831 S * 1/1991 Gildersleeve D32/18
 5,035,586 A 7/1991 Sadler et al.
 5,084,934 A * 2/1992 Lessig et al. 15/325
 5,115,538 A * 5/1992 Cochran et al. 15/383
 5,222,275 A 6/1993 Baker et al.
 5,245,726 A 9/1993 Rote et al.
 5,256,032 A * 10/1993 Dorsch 415/121.1
 D347,914 S 6/1994 Brown et al.
 5,331,716 A 7/1994 Hemmann et al.
 D352,579 S 11/1994 Baker et al.
 5,388,302 A 2/1995 Sundaram et al.
 D358,912 S * 5/1995 Baker et al. D32/15
 D368,341 S * 3/1996 Pink D32/15
 5,511,281 A 4/1996 Webster
 5,522,115 A 6/1996 Webster
 5,535,479 A 7/1996 Pink et al.
 5,560,078 A 10/1996 Toensing et al.
 D375,822 S * 11/1996 Lessig et al. D32/32
 5,588,178 A 12/1996 Liu
 5,604,954 A 2/1997 Webster et al.
 5,638,574 A 6/1997 Haupt et al.
 5,659,920 A 8/1997 Webster et al.
 5,673,457 A 10/1997 Webster et al.
 D386,841 S 11/1997 DeMore et al.
 5,689,852 A 11/1997 Svoboda et al.
 5,692,262 A 12/1997 Haupt et al.
 5,701,632 A 12/1997 Webster et al.
 5,711,048 A 1/1998 Pink et al.
 5,727,283 A 3/1998 Webster
 5,768,743 A 6/1998 Webster
 5,768,749 A 6/1998 Ohi et al.
 5,791,568 A 8/1998 Keim
 5,794,864 A 8/1998 Hammett et al.
 D400,322 S 10/1998 Webster et al.
 5,821,473 A 10/1998 Takahashi
 D405,566 S 2/1999 Webster et al.
 D416,360 S 11/1999 Enkyo et al.
 5,979,013 A 11/1999 Beckey et al.
 6,003,199 A 12/1999 Shaffer

6,014,812 A * 1/2000 Webster 30/276
 D421,163 S 2/2000 Shigo et al.
 RE36,627 E 3/2000 Pink et al.
 6,059,541 A 5/2000 Beckey et al.
 D426,354 S 6/2000 Ohi et al.
 D431,697 S 10/2000 Hayakawa et al.
 6,158,082 A 12/2000 Beckey et al.
 D445,972 S 7/2001 Doria
 6,324,720 B1 12/2001 Beckey et al.
 D461,604 S * 8/2002 Martin et al. D32/15
 6,442,790 B1 9/2002 Svoboda et al.
 D470,278 S 2/2003 Liang-Ming
 D473,024 S 4/2003 Griffin et al.
 6,622,341 B2 9/2003 Jong
 6,629,818 B2 10/2003 Svoboda
 D498,885 S 11/2004 Robson
 6,834,413 B2 12/2004 Sanders et al.
 D556,395 S 11/2007 Martin et al.
 D569,055 S 5/2008 Bochmann et al.
 D584,460 S * 1/2009 Sweeney D32/15
 D584,461 S 1/2009 Sweeney
 D604,917 S * 11/2009 Tinius D32/15
 D605,819 S * 12/2009 Tinius D32/15
 D607,622 S * 1/2010 Blateri D32/25
 D615,716 S * 5/2010 Tinius D32/15
 7,735,188 B2 6/2010 Shaffer
 7,870,640 B2 1/2011 Hinklin et al.
 D637,774 S 5/2011 Li et al.
 D711,056 S * 8/2014 Crawley D32/15
 D711,057 S * 8/2014 Crawley D32/15
 D719,307 S * 12/2014 Carl et al. D32/15
 2008/0127448 A1 6/2008 Kremsler et al.
 2008/0152487 A1 6/2008 Shaffer et al.
 2012/0138717 A1 6/2012 Svoboda et al.
 2013/0239357 A1 9/2013 Hoffman et al.

OTHER PUBLICATIONS

U.S. Appl. No. 29/457,805, filed Jun. 13, 2013, Martin et al.
 Sears, Roebuck and Co., "Operator's Manual Craftsman® 1.4cu.in./
 24cc 2-Cycle Gasoline Powered Blower/Vac/Mulcher Model No.
 358.797931," Hoffman Estates, Illinois; Aug. 12, 1996: 14 sheets.
 U.S. Appl. No. 61/940,549, filed Feb. 17, 2014, Svoboda et al.
 U.S. Appl. No. 29/482,259, filed Feb. 17, 2014, Shaffer et al.
 U.S. Appl. No. 14/619,270, filed Feb. 11, 2015, Svoboda et al.
 USPTO Office Action (partial copy attached) issued Mar. 2, 2015 in
 Des. U.S. Appl. No. 29/457,805.

* cited by examiner

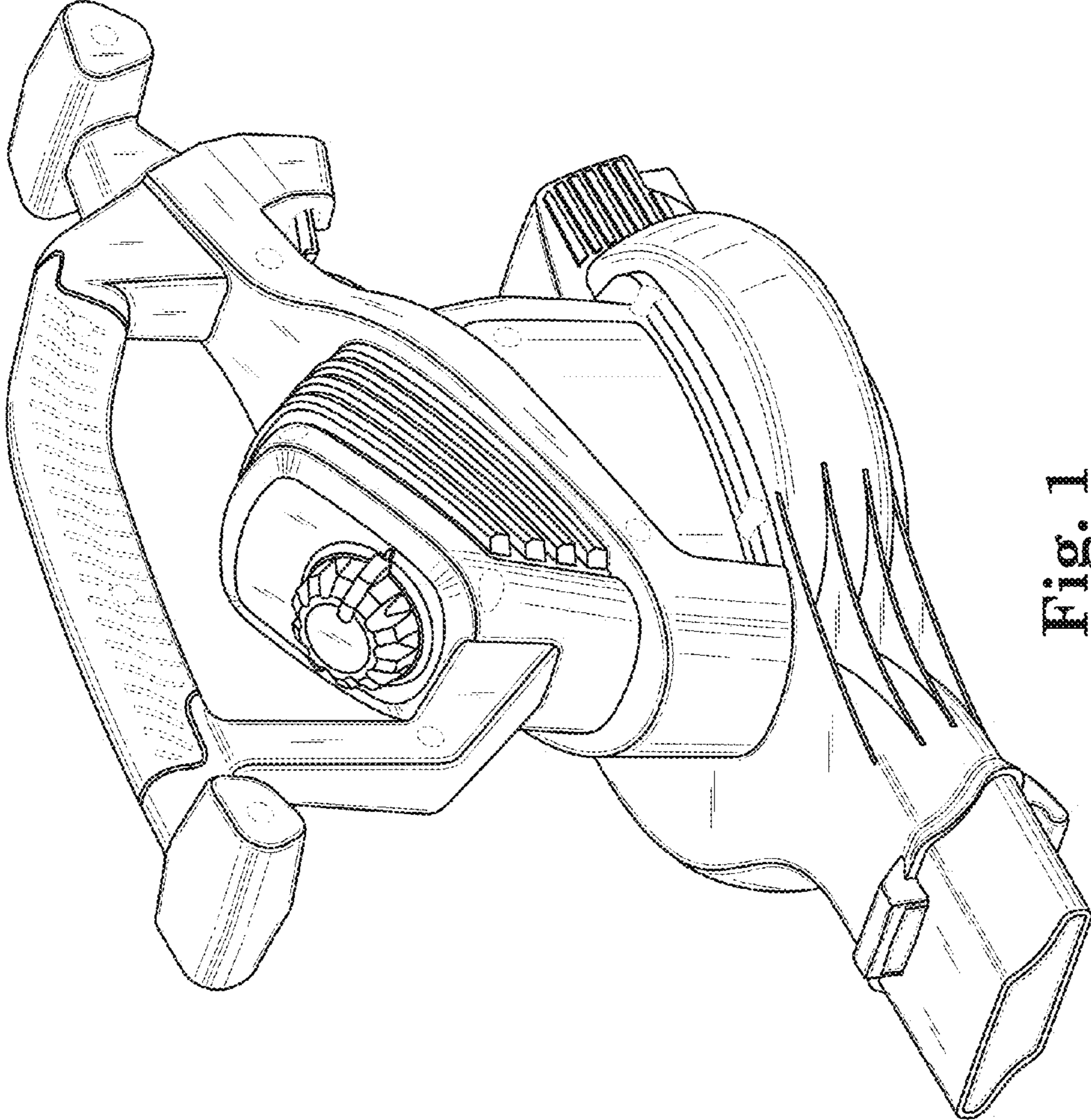


Fig. 1

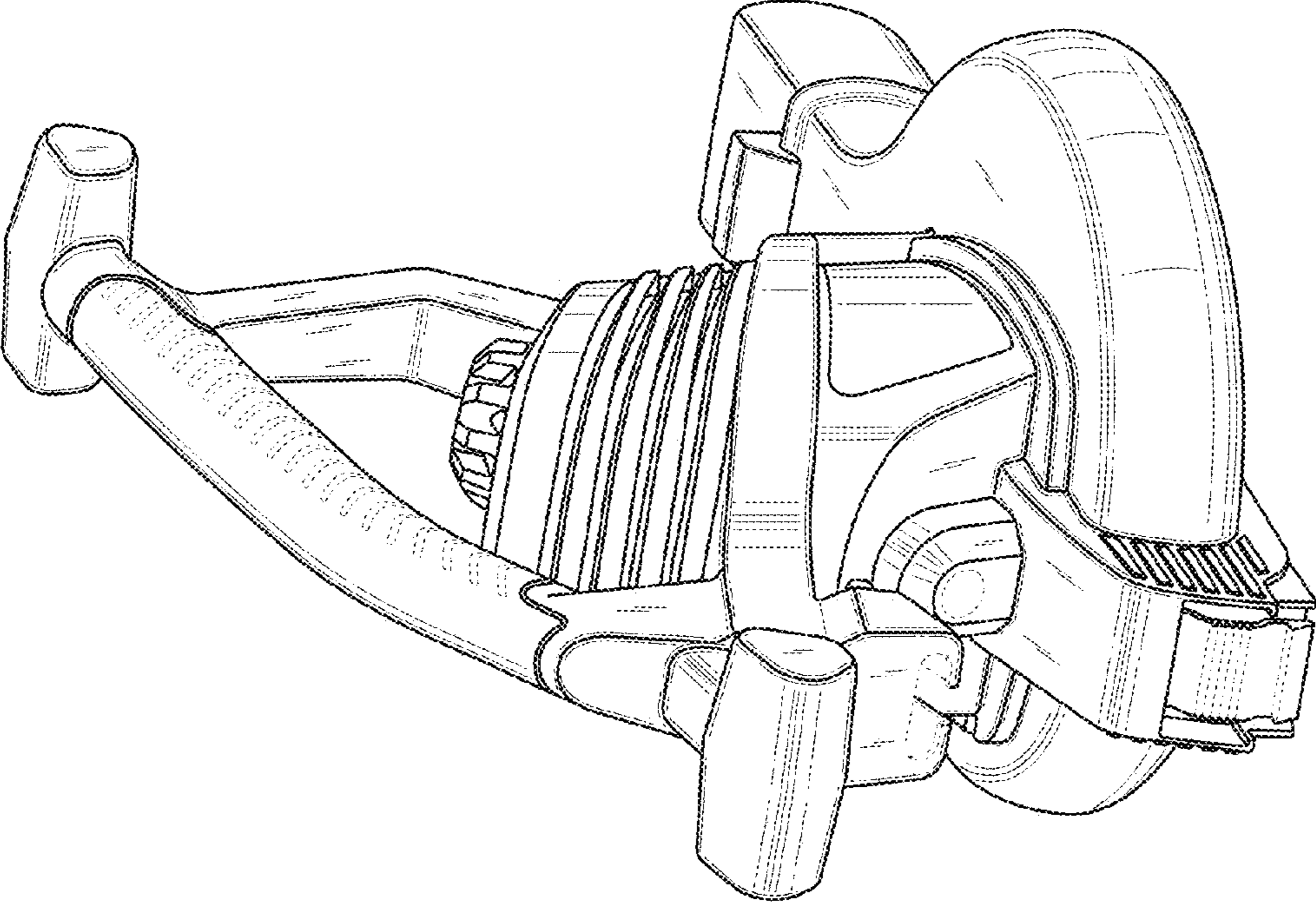


Fig. 2

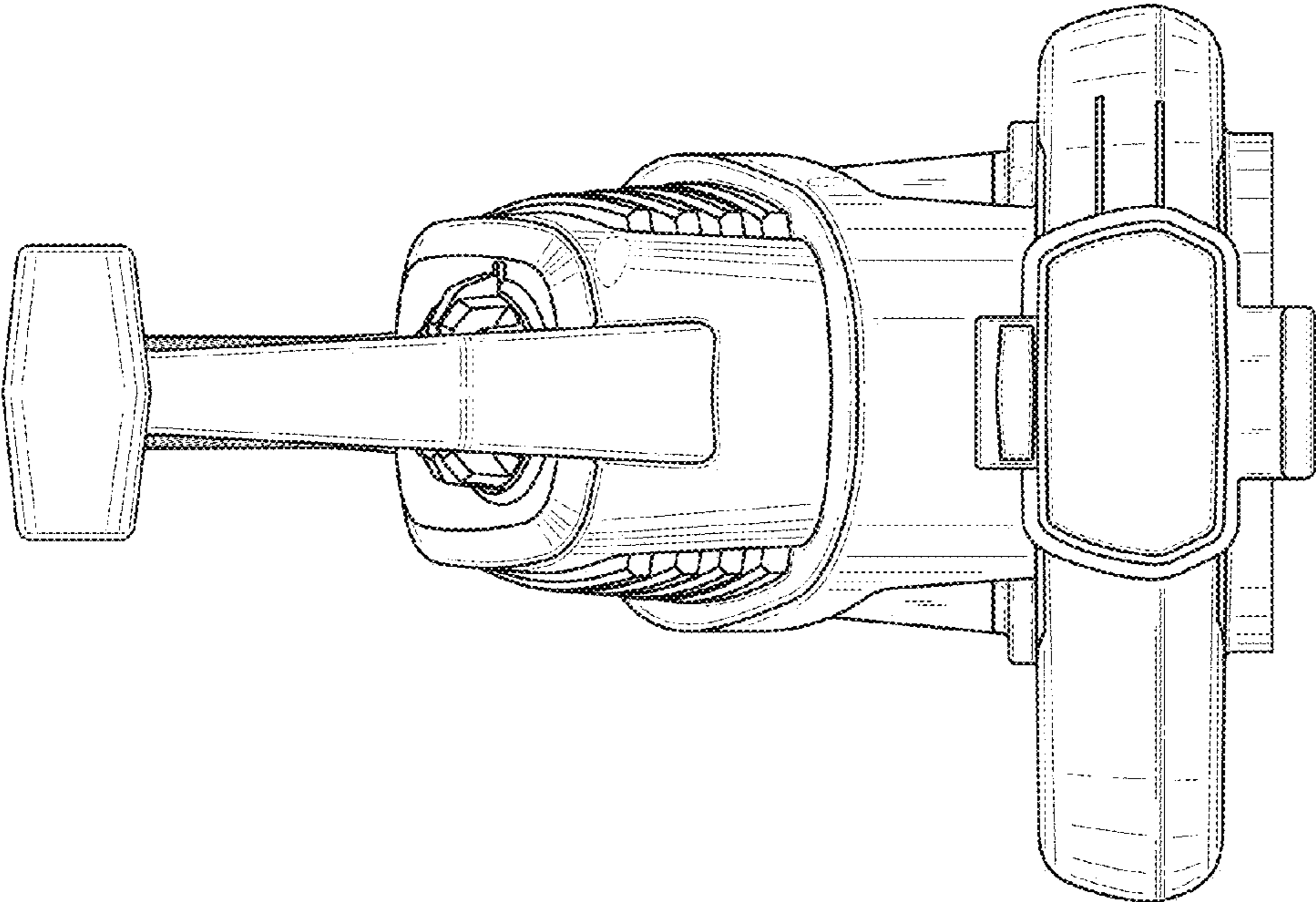


Fig. 3

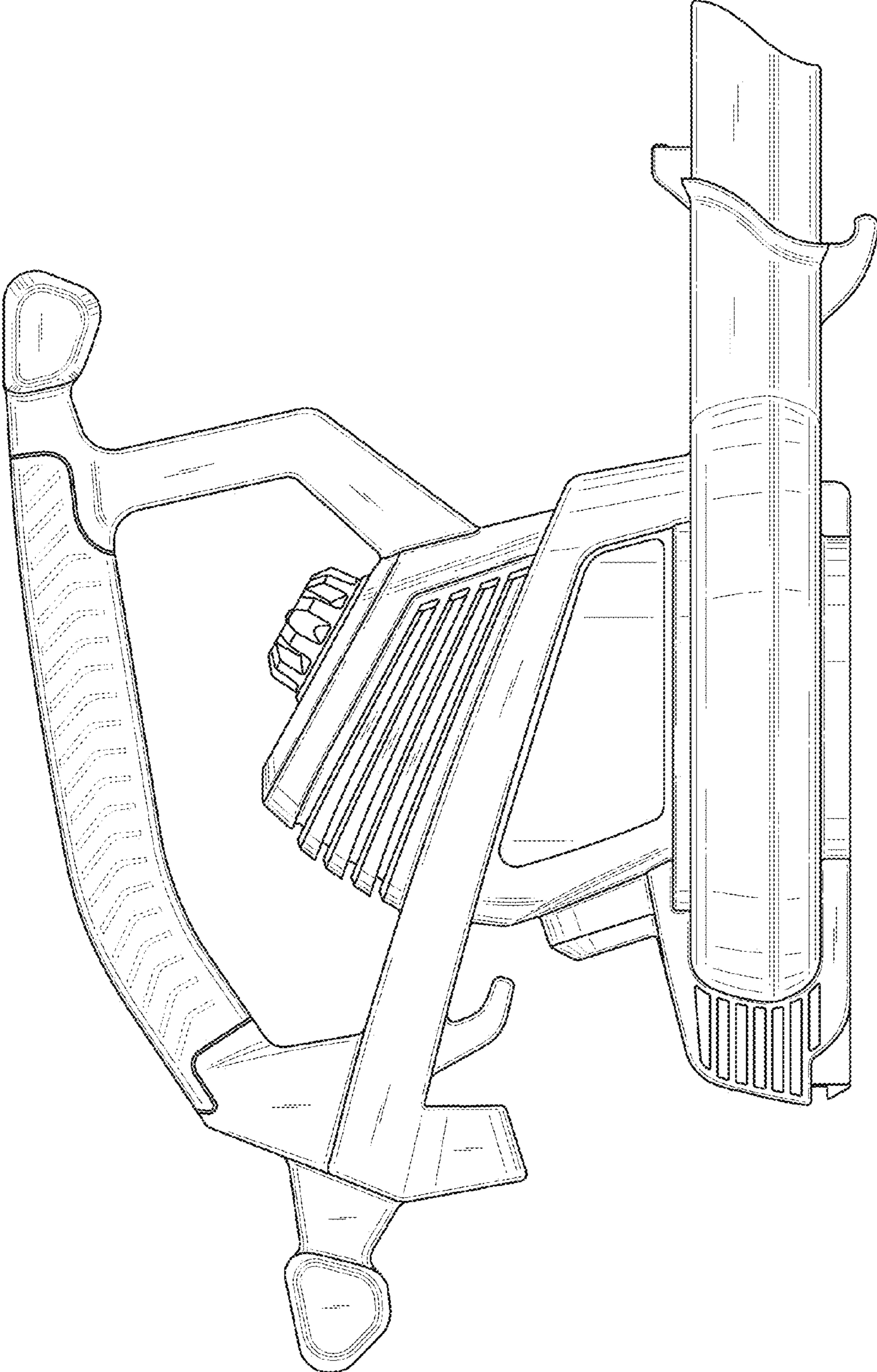


Fig. 4

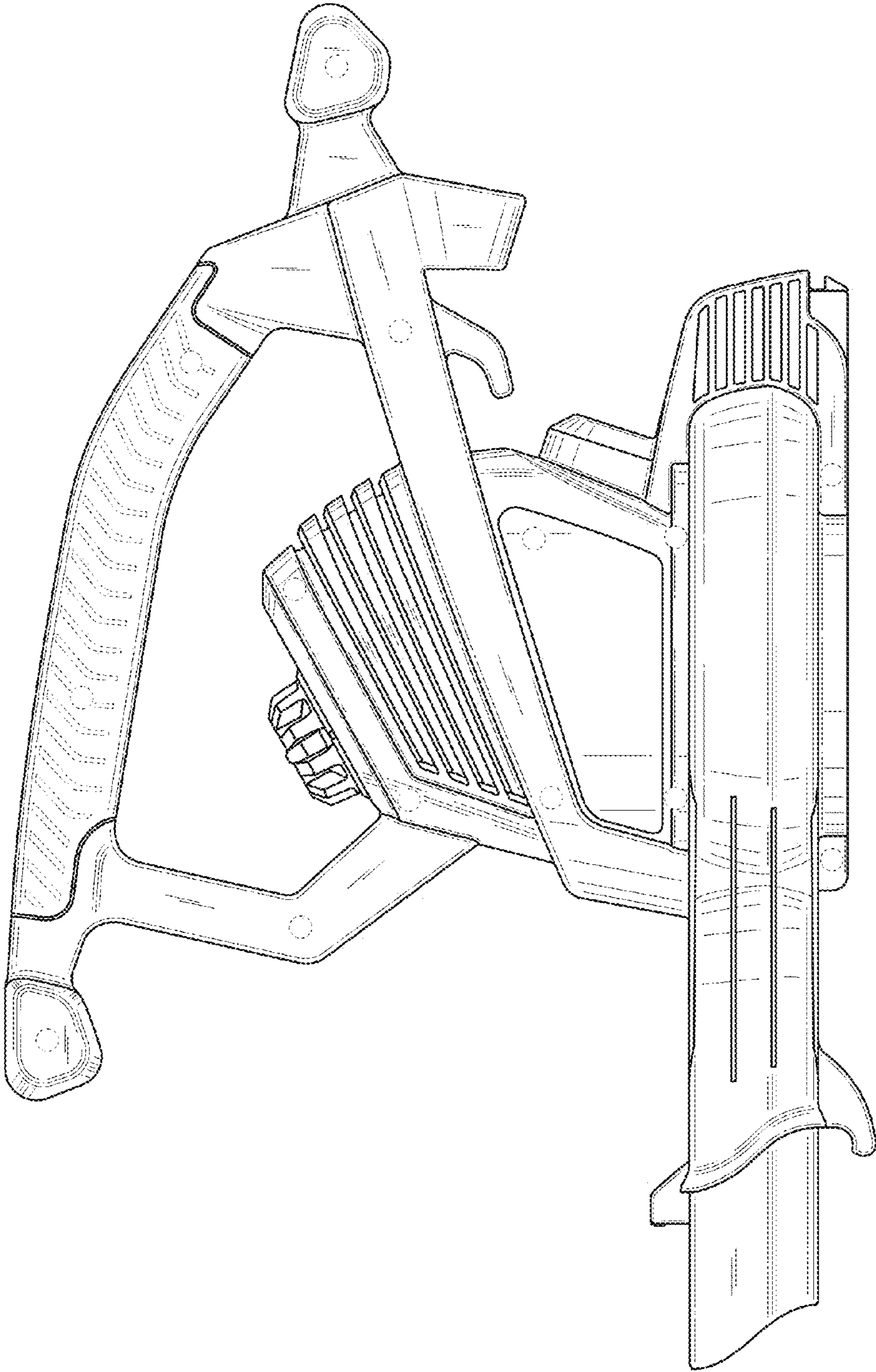


Fig. 5

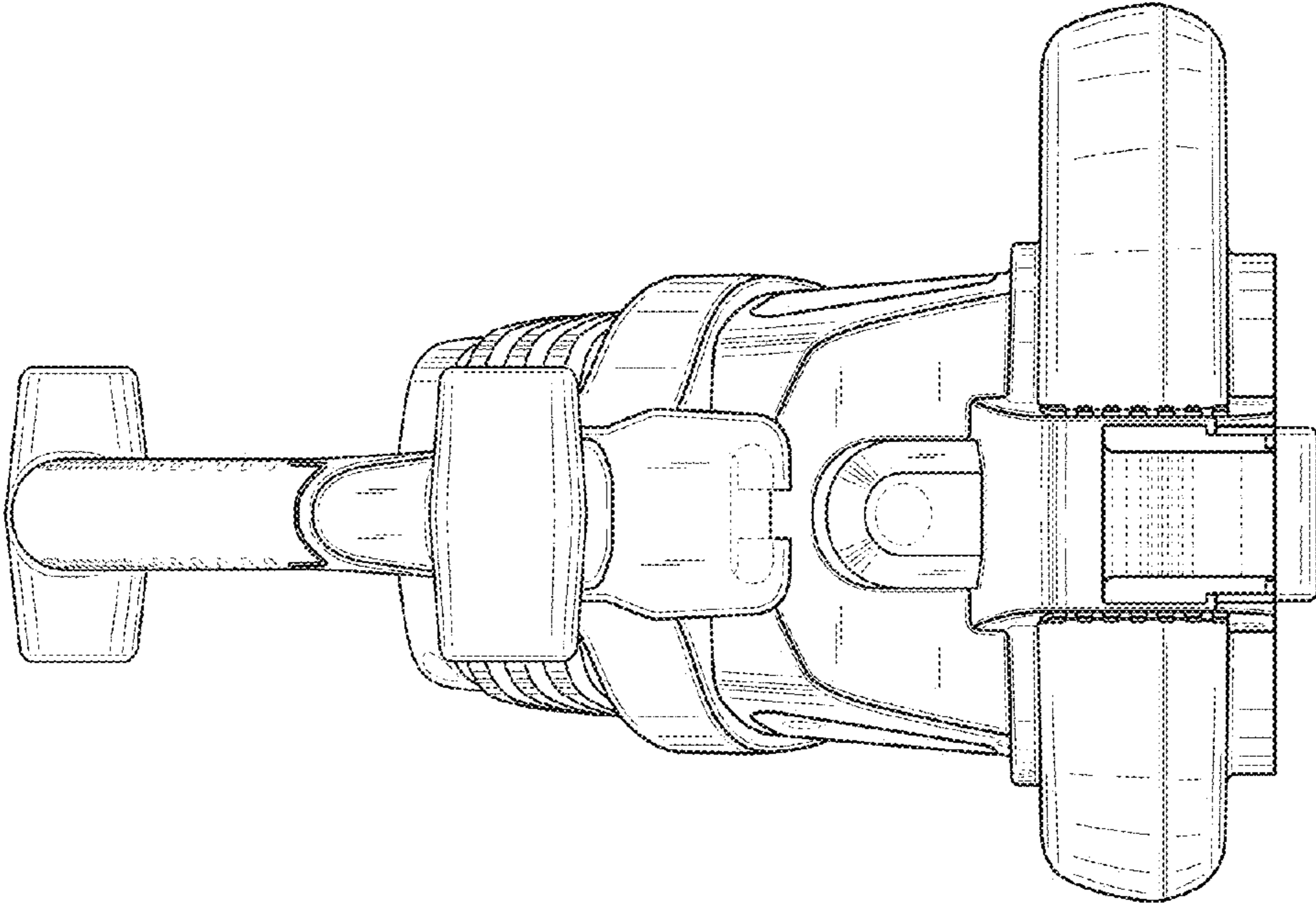


Fig. 6

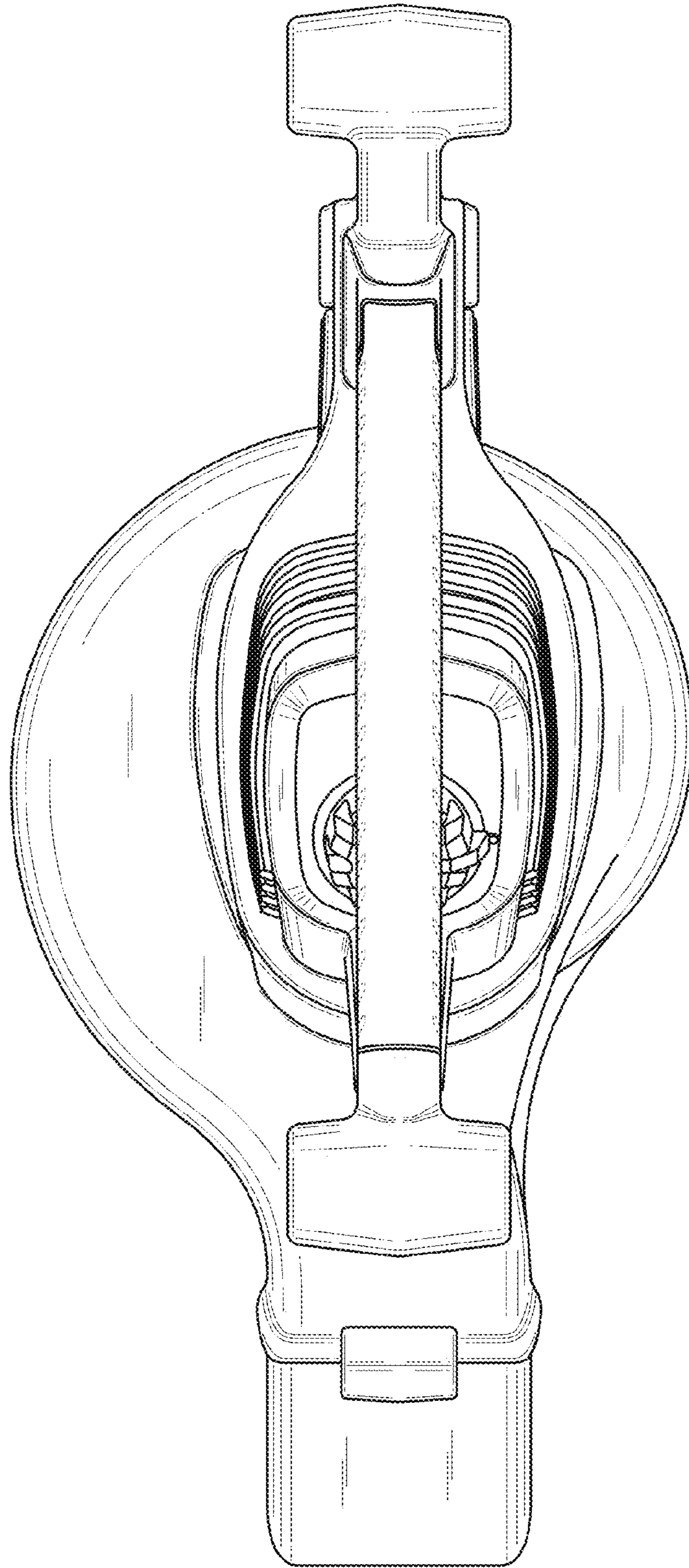


Fig. 7

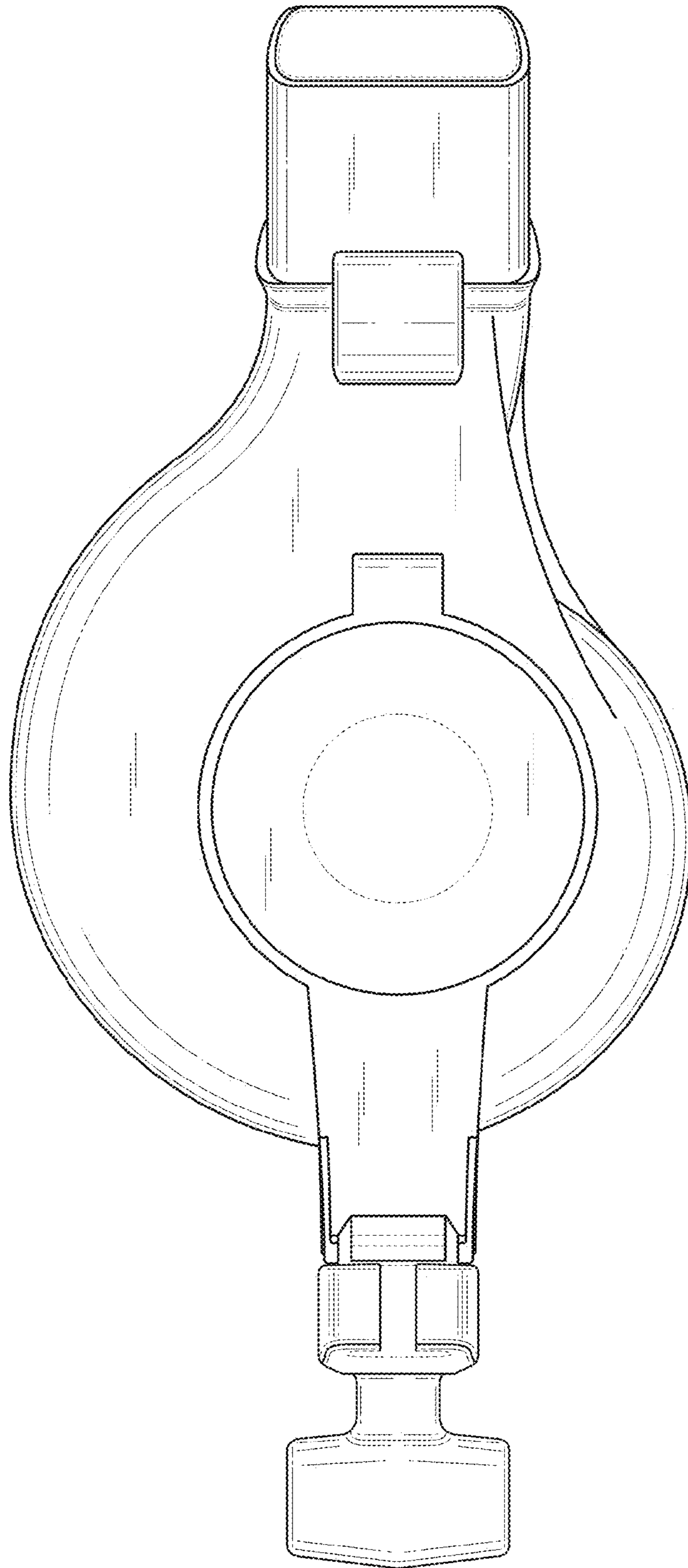


Fig. 8