



US00D747048S

(12) **United States Design Patent**
Ketzenberg

(10) **Patent No.:** **US D747,048 S**
(45) **Date of Patent:** **** Jan. 5, 2016**

(54) **POST-SURGICAL PET GARMENT**

DESCRIPTION

(71) Applicant: **Laurie Ketzenberg**, Jersey City, NJ
(US)
(72) Inventor: **Laurie Ketzenberg**, Jersey City, NJ
(US)
(**) Term: **14 Years**
(21) Appl. No.: **29/479,419**
(22) Filed: **Jan. 15, 2014**
(51) **LOC (10) Cl.** **30-01**
(52) **U.S. Cl.**
USPC **D30/144**; D30/145
(58) **Field of Classification Search**
USPC D30/144, 145, 151, 152, 153, 199;
D2/745
CPC A01K 13/00; A01K 13/006; A61D 9/00
See application file for complete search history.

(56) **References Cited**

U.S. PATENT DOCUMENTS

1,612,945 A 1/1927 Rieck
2,222,705 A * 11/1940 Conlon 54/79.1

(Continued)

OTHER PUBLICATIONS

Surgy Shirt, http://www.surgyshirt.com/index.php?id_product=8&controller=product, printed Jan. 15, 2014, 2 pages.

(Continued)

Primary Examiner — Martie K Holtje

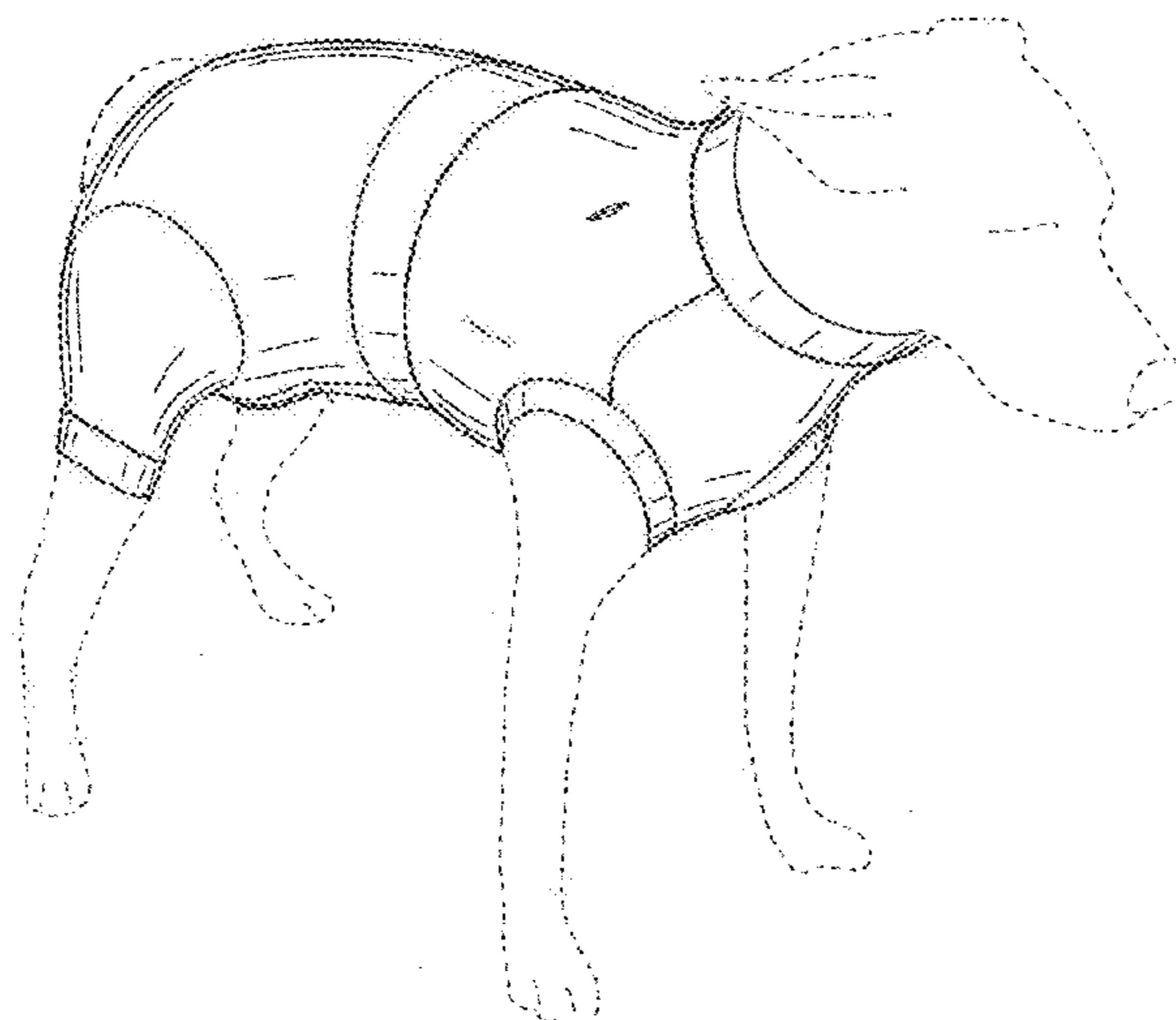
(74) *Attorney, Agent, or Firm* — Brad M. Behar & Associates, PLLC

(57) **CLAIM**

The ornamental design for a post-surgical pet garment, as shown and described.

FIG. 1 is a left front perspective view of a first embodiment of a post-surgical pet garment showing my new design in use; FIG. 2 is a right rear perspective view thereof; FIG. 3 is a front elevational view thereof; FIG. 4 is a rear elevational view thereof; FIG. 5 is a left side elevational view thereof; FIG. 6 is an enlarged view of a portion of the design thereof as depicted in the circled area in FIG. 5; FIG. 7 is a right side elevational view thereof; FIG. 8 is a top plan view thereof; FIG. 9 is a bottom plan view thereof; FIG. 10 is a right rear perspective view of an alternate embodiment of my design of FIG. 1 shown in an exploded view; FIG. 11 is a left front perspective view of FIG. 10; FIG. 12 is a front elevational view of FIG. 10; FIG. 13 is a rear elevational view of FIG. 10; FIG. 14 is a left side elevational view of FIG. 10; FIG. 15 is an enlarged view of a portion of the design thereof as depicted in the circled area in FIG. 14; FIG. 16 is a right side elevational view of FIG. 10; FIG. 17 is a top plan view of FIG. 10; and, FIG. 18 is a bottom plan view of FIG. 10.
The structural features depicted by broken lines in the drawings have been shown for the purpose of illustrating portions of the post-surgical pet garment that form no part of the claimed design.
The dog depicted by broken lines in FIGS. 1 through 5 and 7 through 9 has been shown for the purpose of illustrating environment that forms no part of the claimed design.
The broken lines defining the neck, waist, leg and tail openings in FIGS. 10 through 14 and 16 through 18 represent unclaimed boundaries, the areas within which form no part of the claimed design.

1 Claim, 18 Drawing Sheets



(56)

References Cited

U.S. PATENT DOCUMENTS

2,273,706 A 2/1942 Hafner
 2,400,781 A 5/1946 Priour
 2,850,860 A 9/1958 Torell et al.
 3,141,443 A 7/1964 Huey
 4,355,600 A 10/1982 Zielinski
 D313,676 S 1/1991 Indursky
 5,068,921 A 12/1991 Jones
 5,359,963 A * 11/1994 Jesse et al. 119/850
 5,463,985 A * 11/1995 Shover 119/850
 5,537,954 A * 7/1996 Beeghly et al. 119/850
 6,024,055 A * 2/2000 Jesse et al. 119/850
 6,070,557 A * 6/2000 Hibbert 119/850
 D427,734 S 7/2000 Balzarini
 6,234,117 B1 5/2001 Spatt
 6,267,083 B1 7/2001 Chimienti
 D459,842 S 7/2002 Kaplan
 6,481,383 B1 * 11/2002 Ross et al. 119/850

6,584,939 B1 7/2003 Brezinski
 D511,868 S 11/2005 Cherrett
 D574,560 S * 8/2008 Shaw D30/145
 D586,509 S 2/2009 Kok-Duson
 D692,625 S 10/2013 Kok-Duson
 D693,523 S * 11/2013 Kok-Duson D30/145
 2003/0168021 A1 9/2003 Clark
 2004/0031448 A1 * 2/2004 Trepanier 119/850
 2005/0263104 A1 12/2005 Lazarowich
 2009/0173290 A1 * 7/2009 Freitag 119/850
 2009/0183692 A1 * 7/2009 Rossi et al. 119/850
 2012/0199082 A1 * 8/2012 Dick 119/850
 2013/0014705 A1 * 1/2013 Cho et al. 119/850
 2013/0036989 A1 * 2/2013 Pesale 119/850

OTHER PUBLICATIONS

Dog Snowsuit With Boots, <http://tootlewear.webs.com/dogsnowsuitwitboots.htm>, printed Jan. 15, 2014, 2 pages.

* cited by examiner

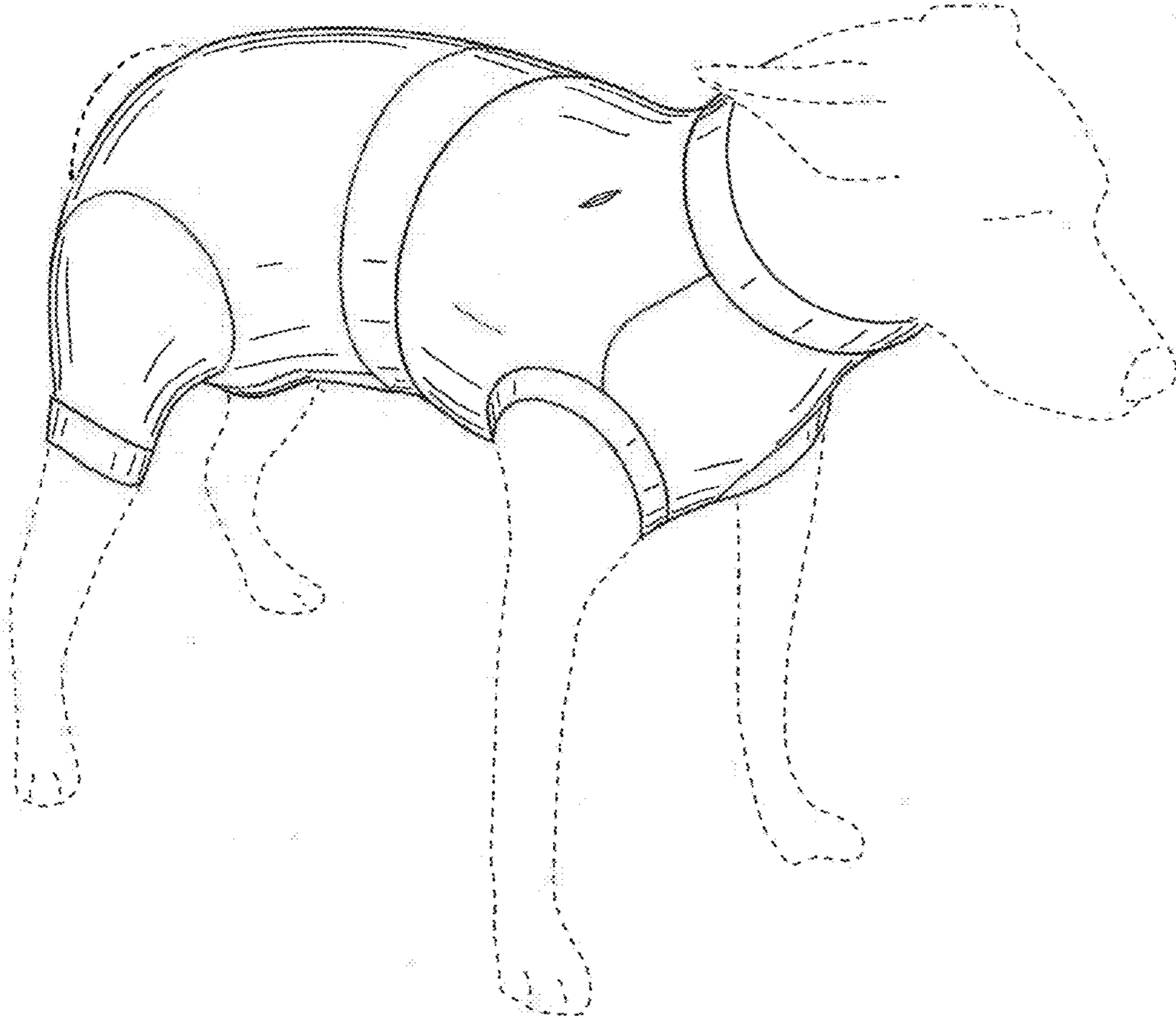


Fig. 1

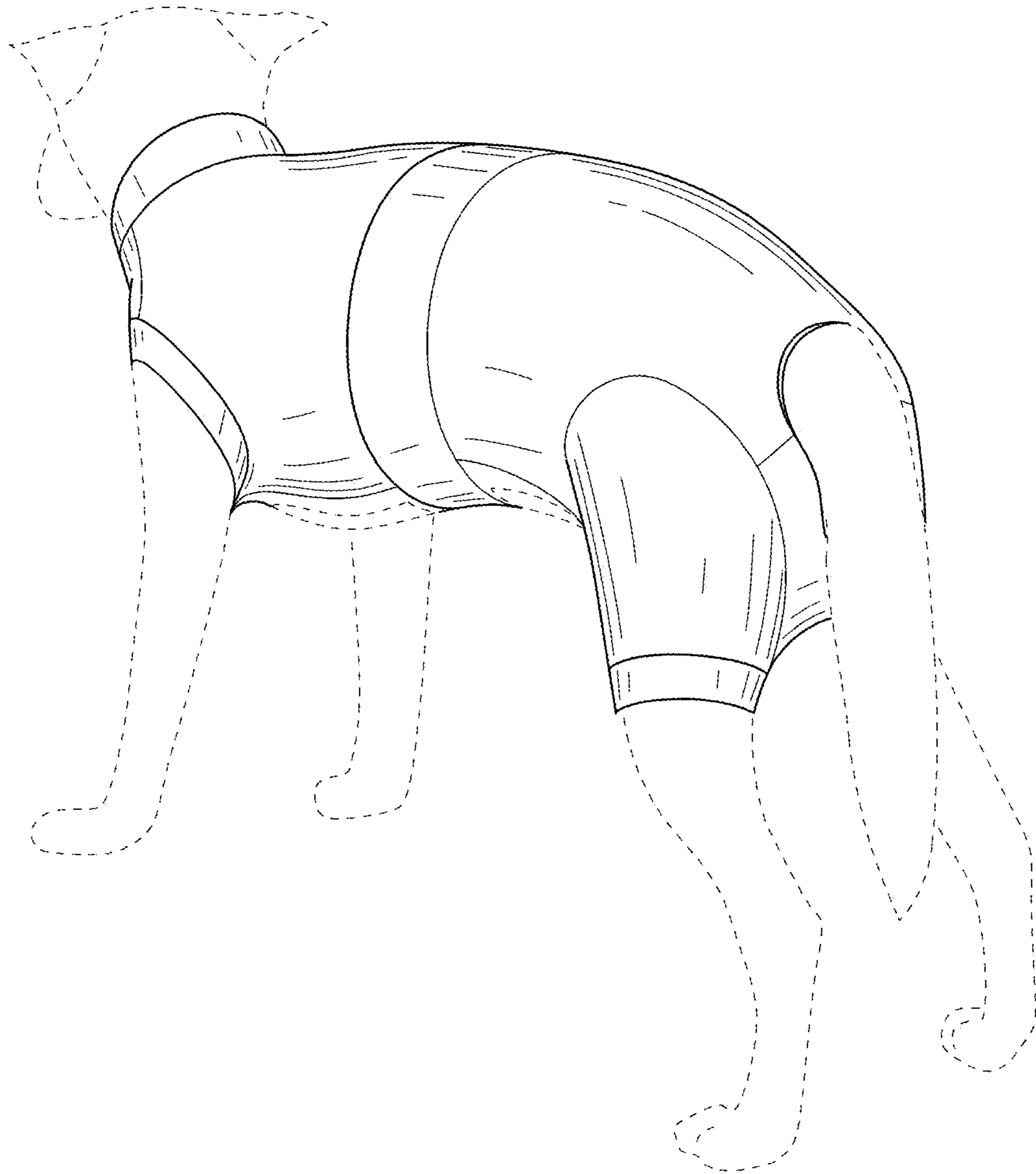


Fig. 2

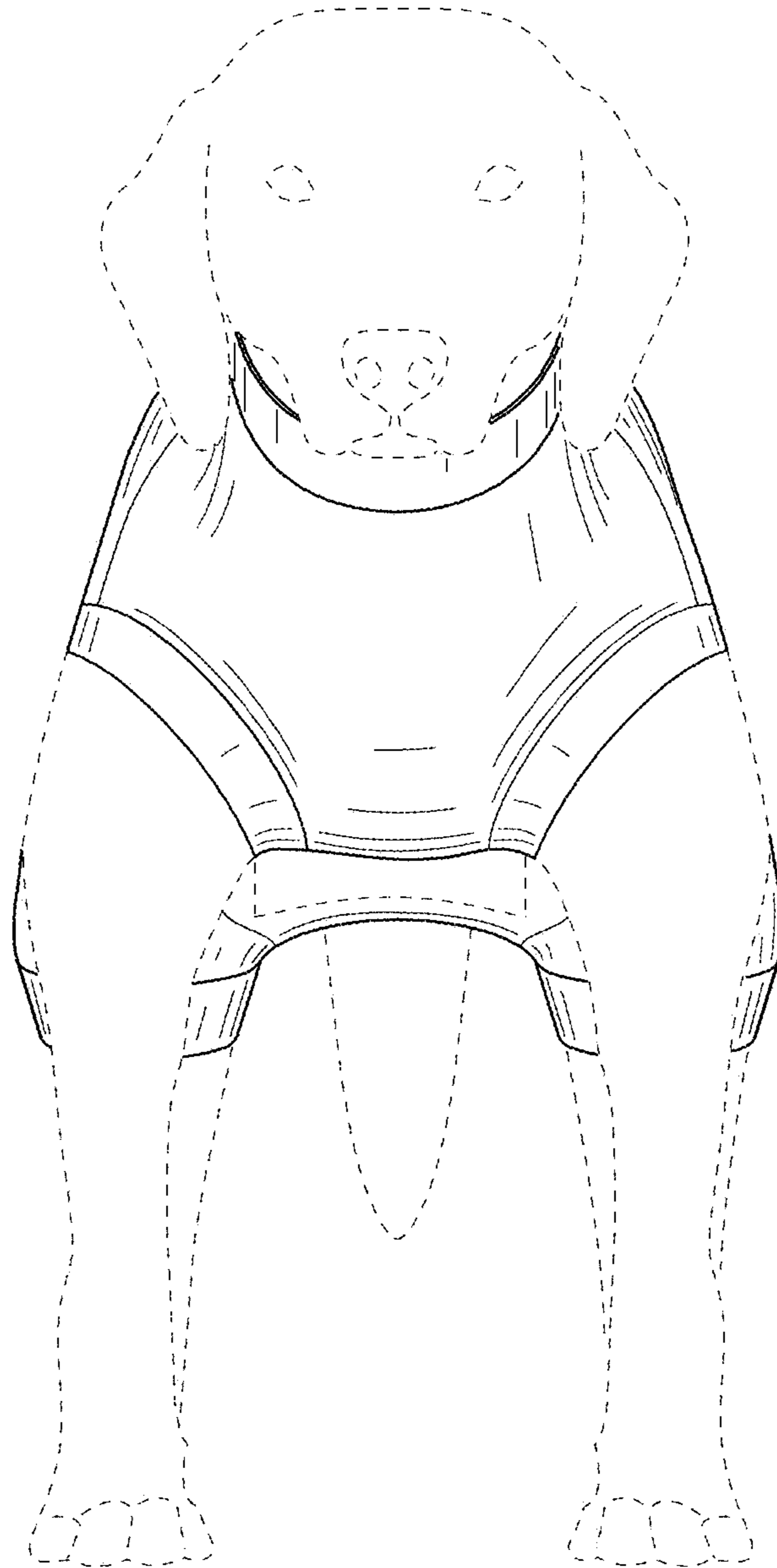


Fig. 3

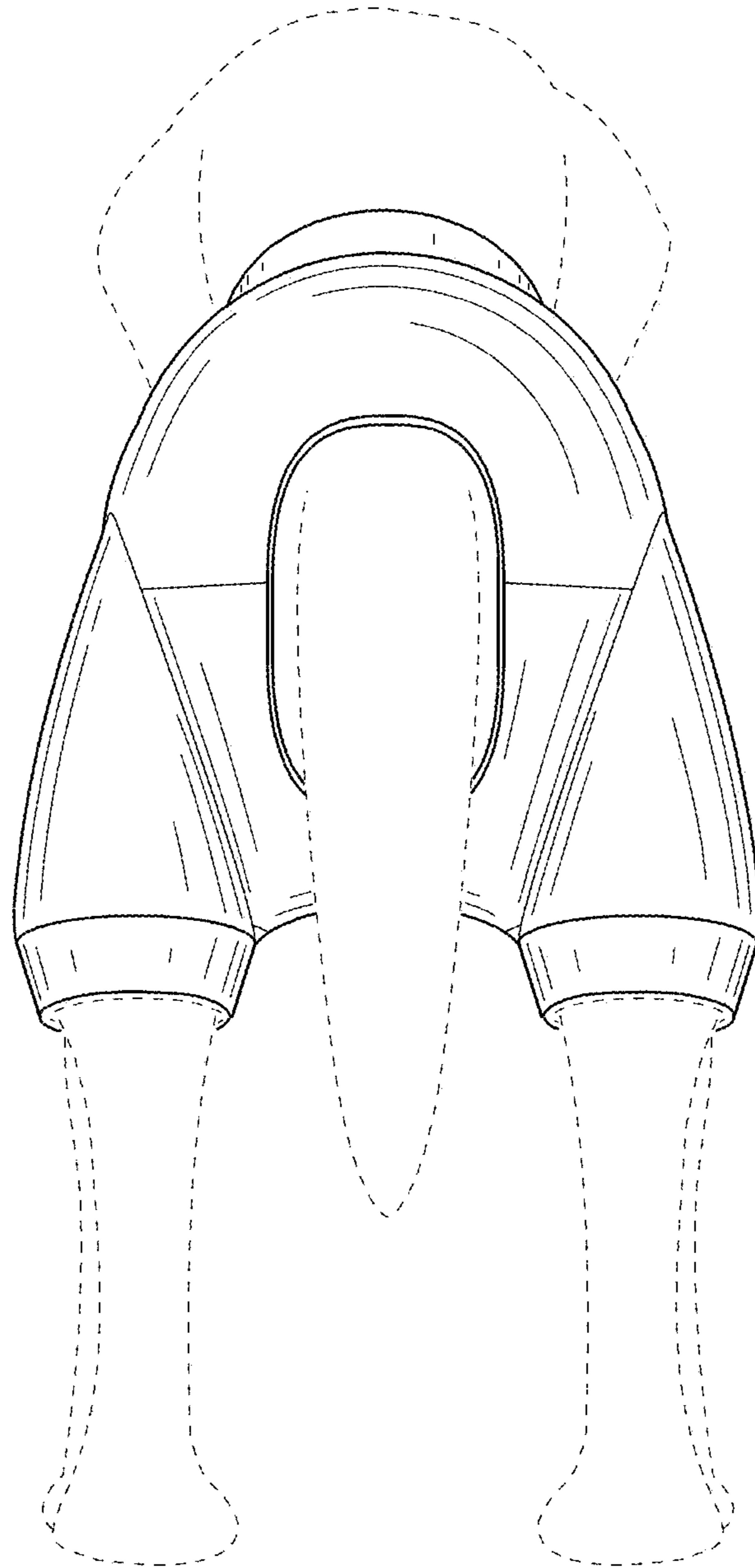


Fig. 4

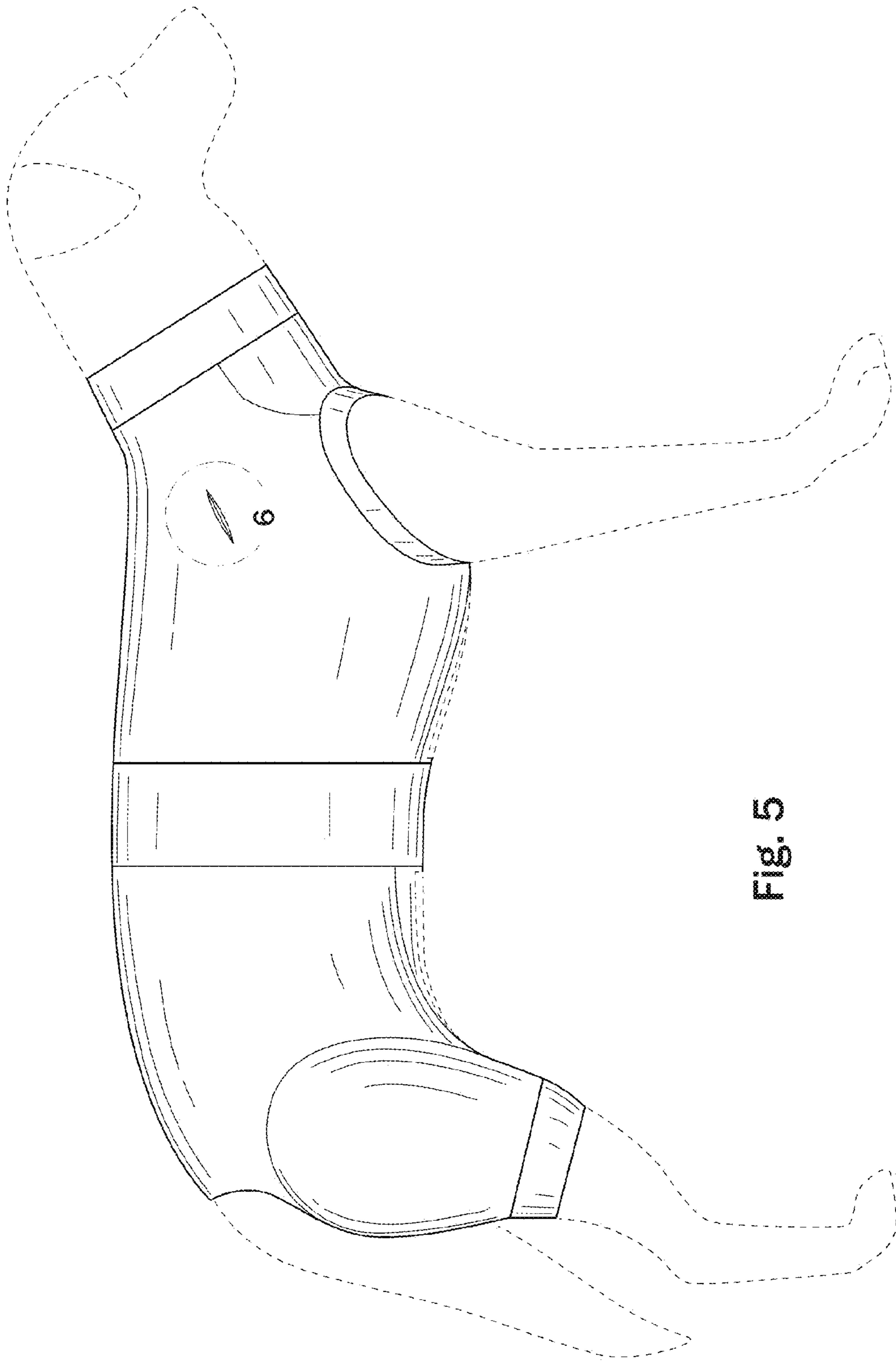


Fig. 5

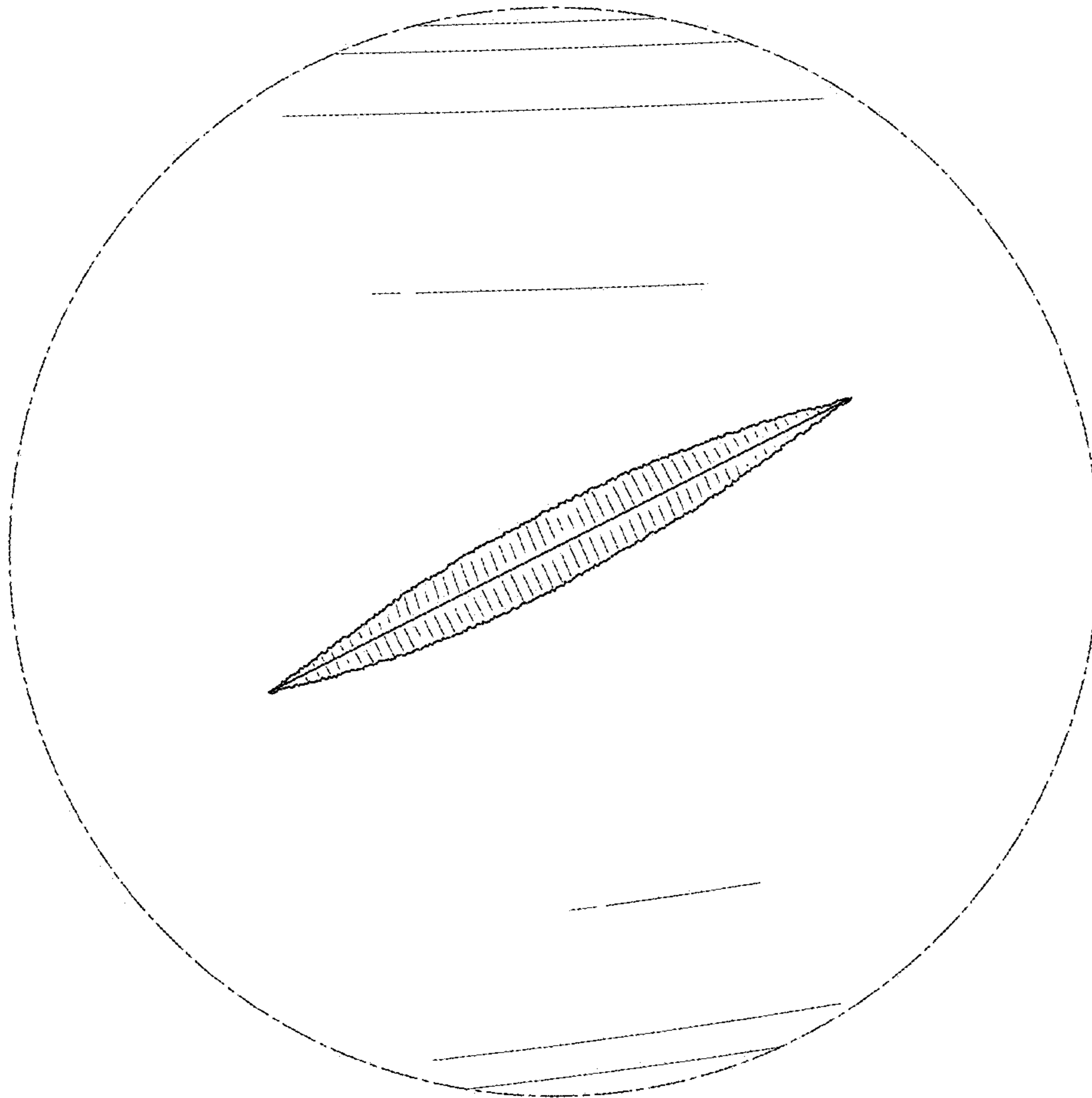


Fig. 6

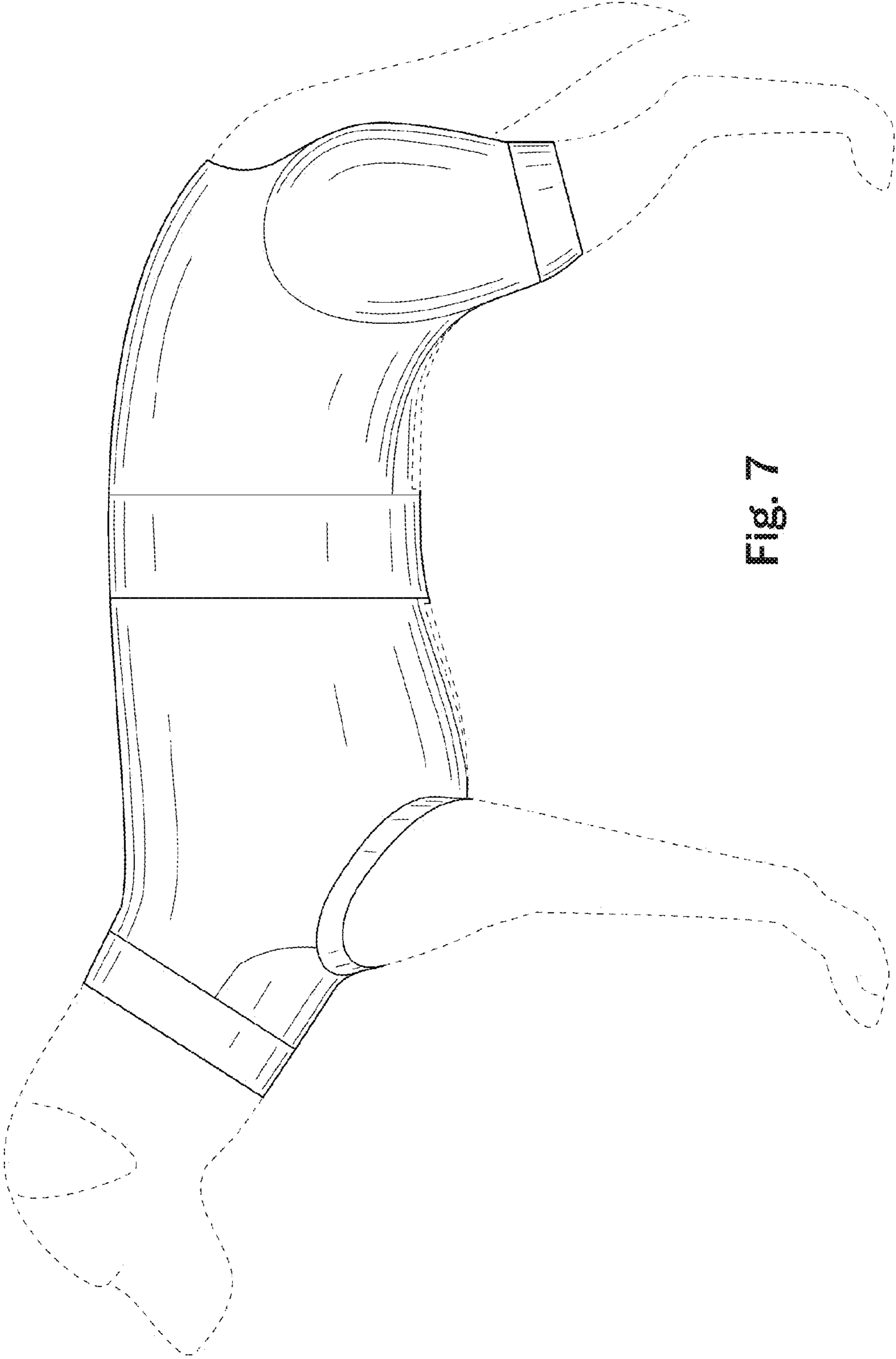


Fig. 7

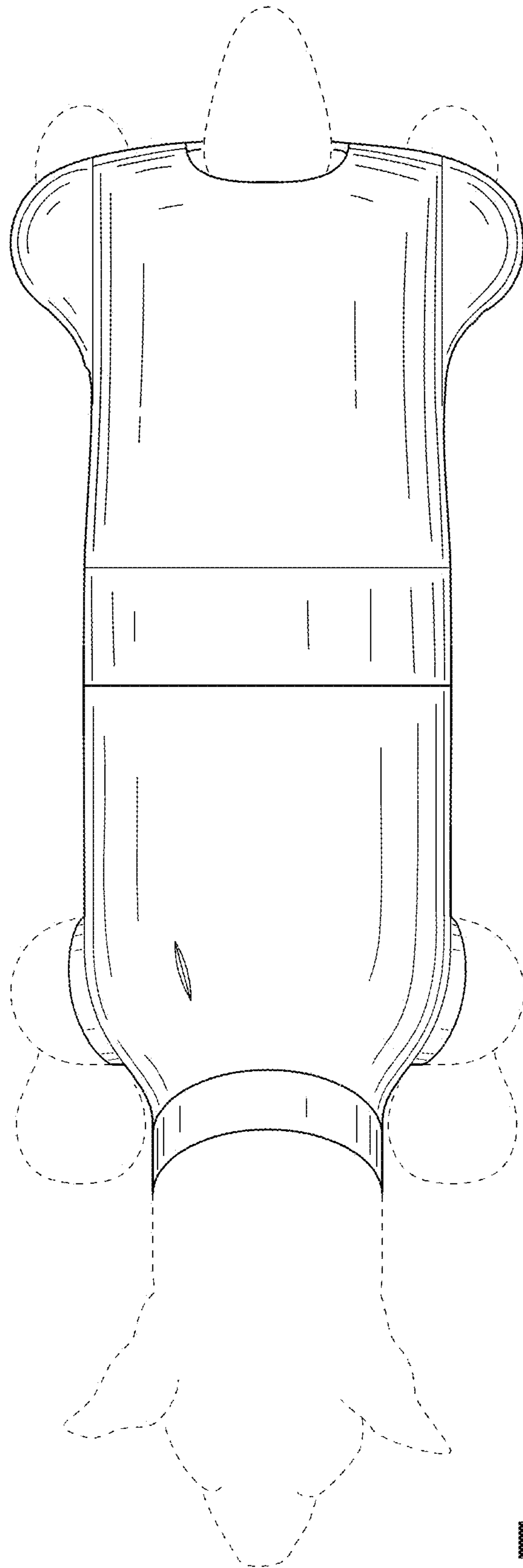


Fig. 8

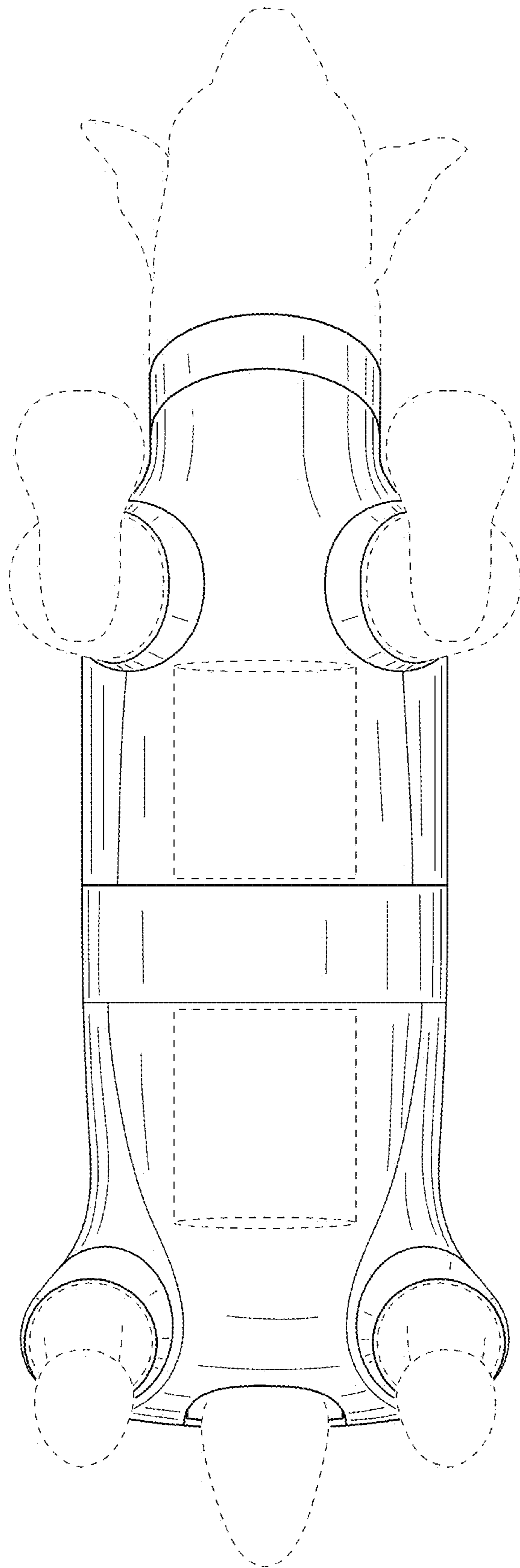


Fig. 9

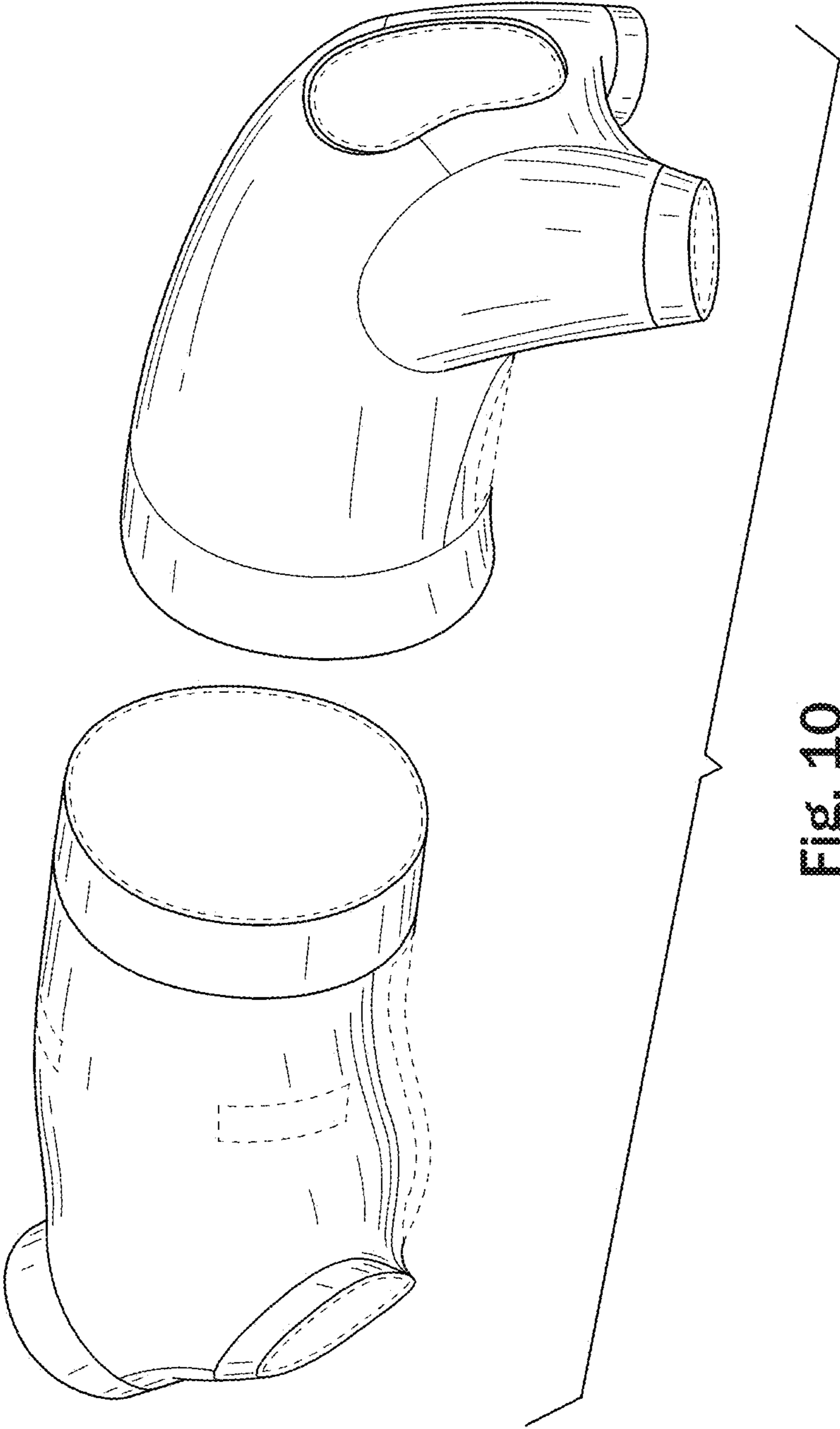


Fig. 10

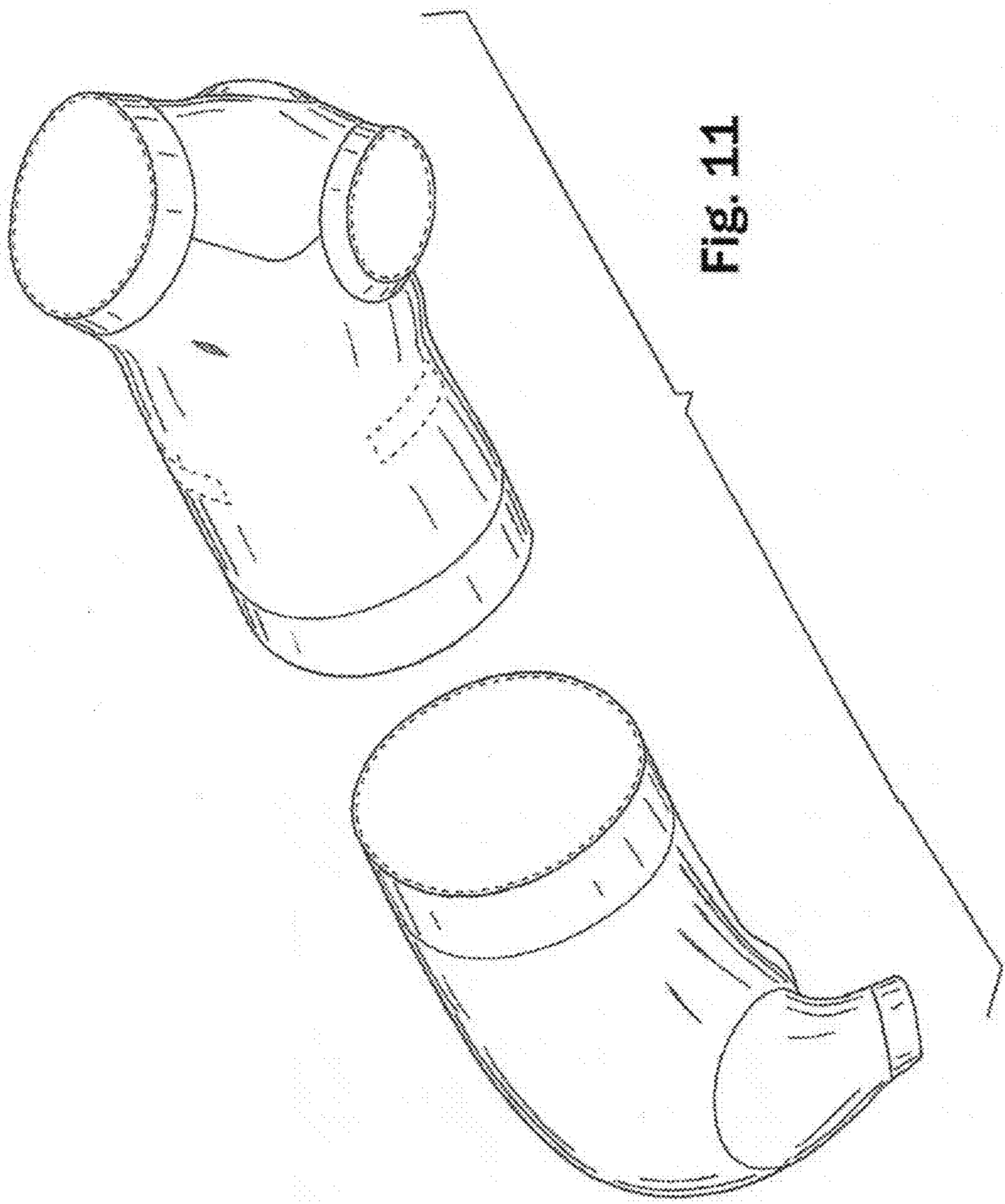


Fig. 11

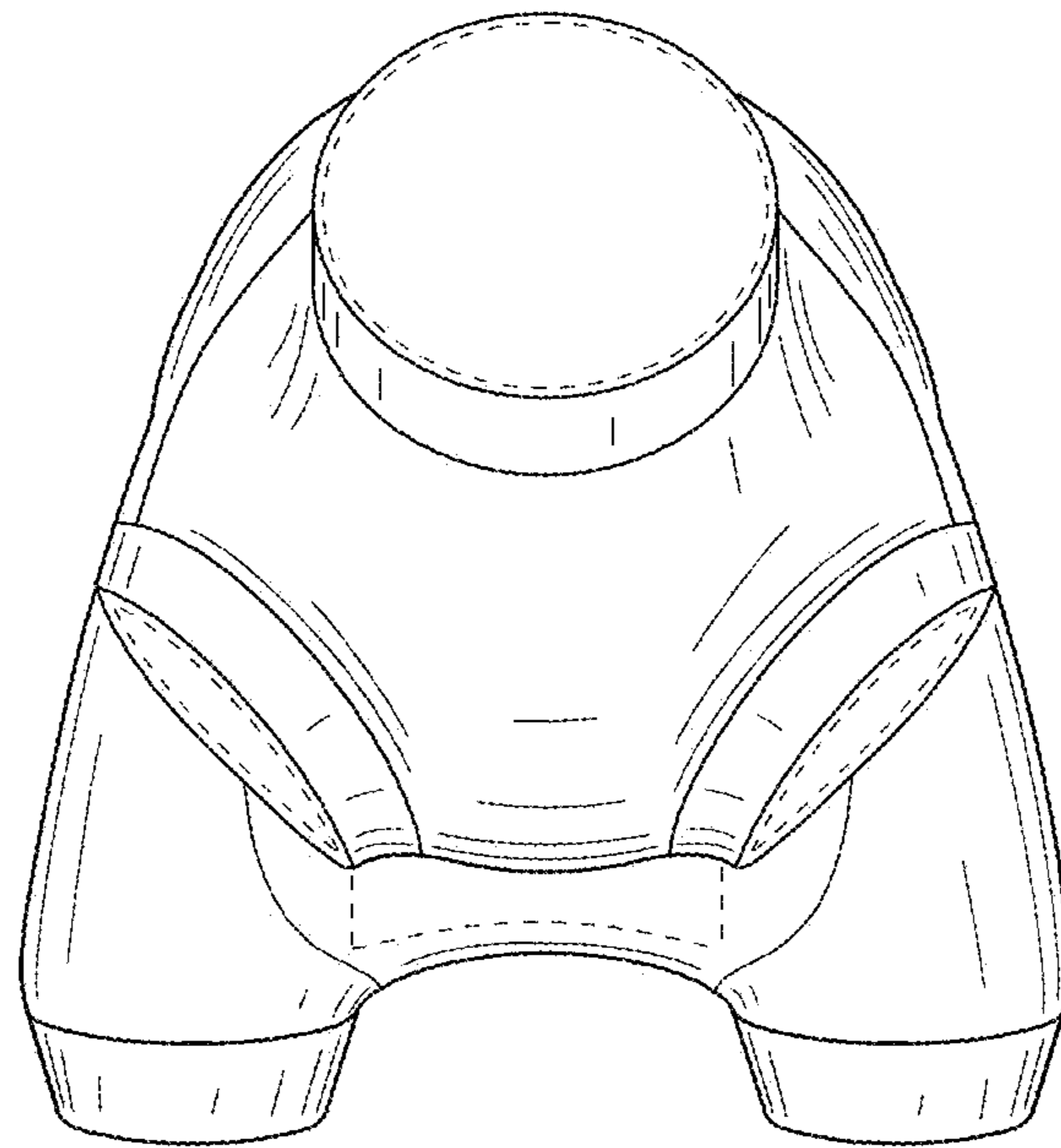


Fig. 12

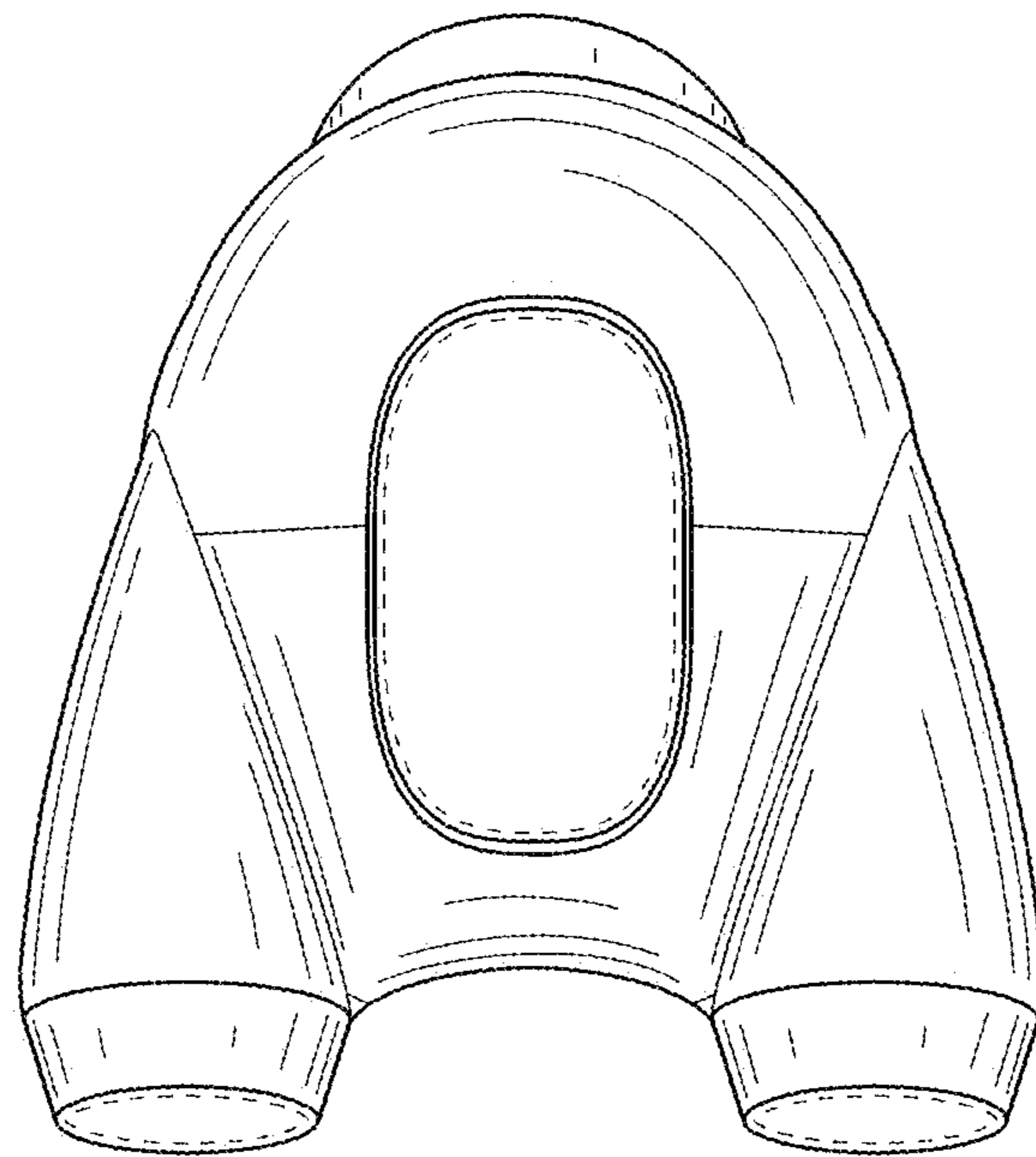


Fig. 13

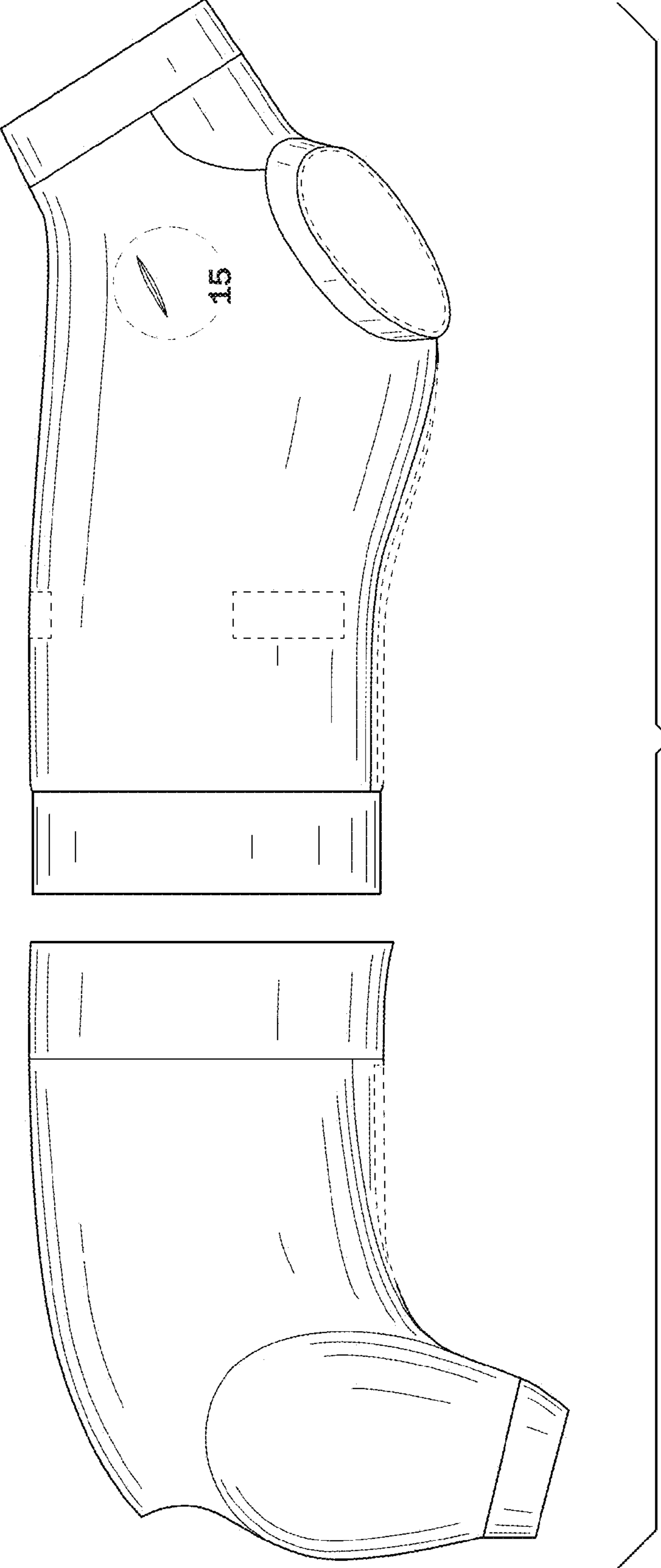


Fig. 14

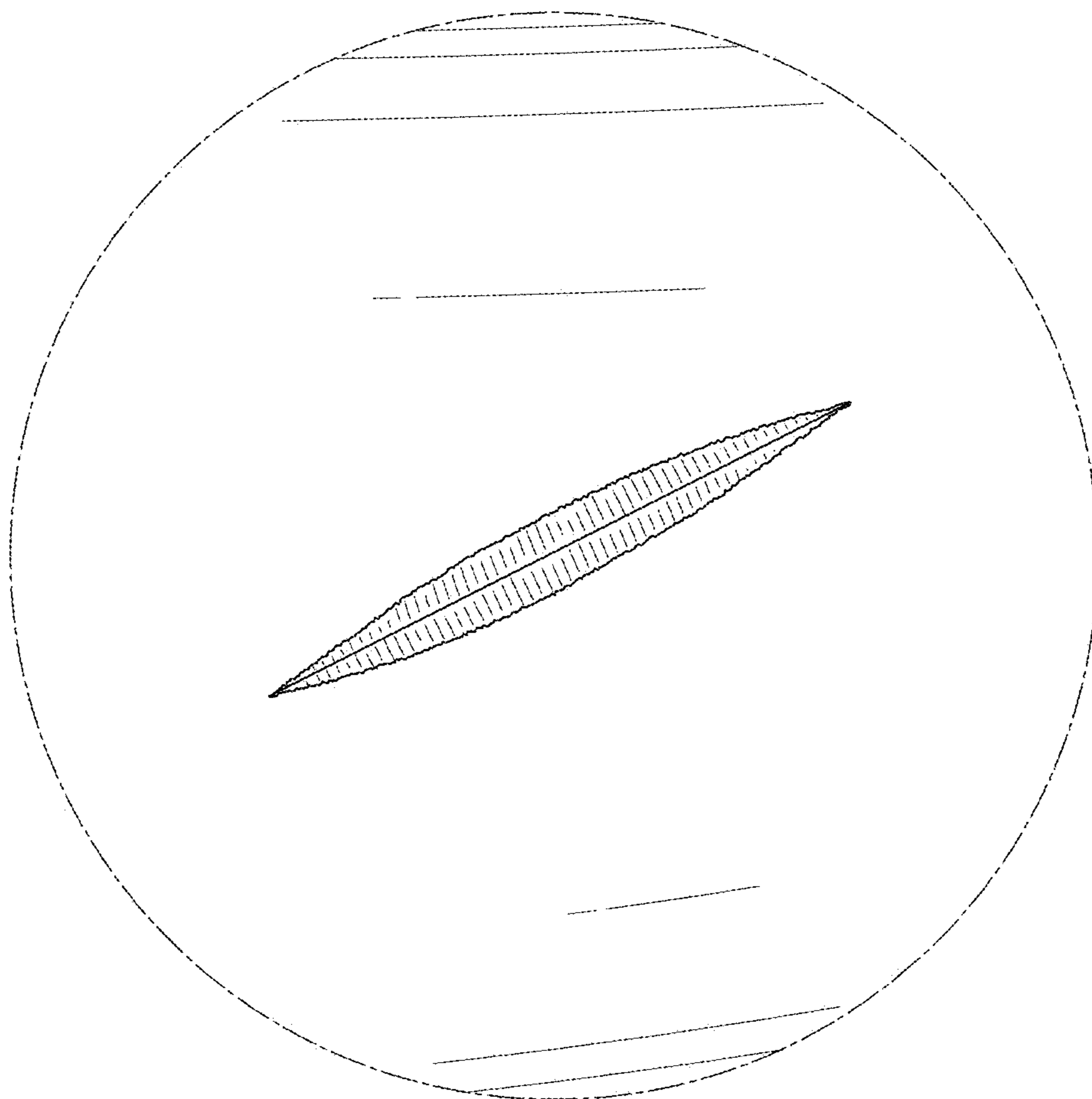


Fig. 15

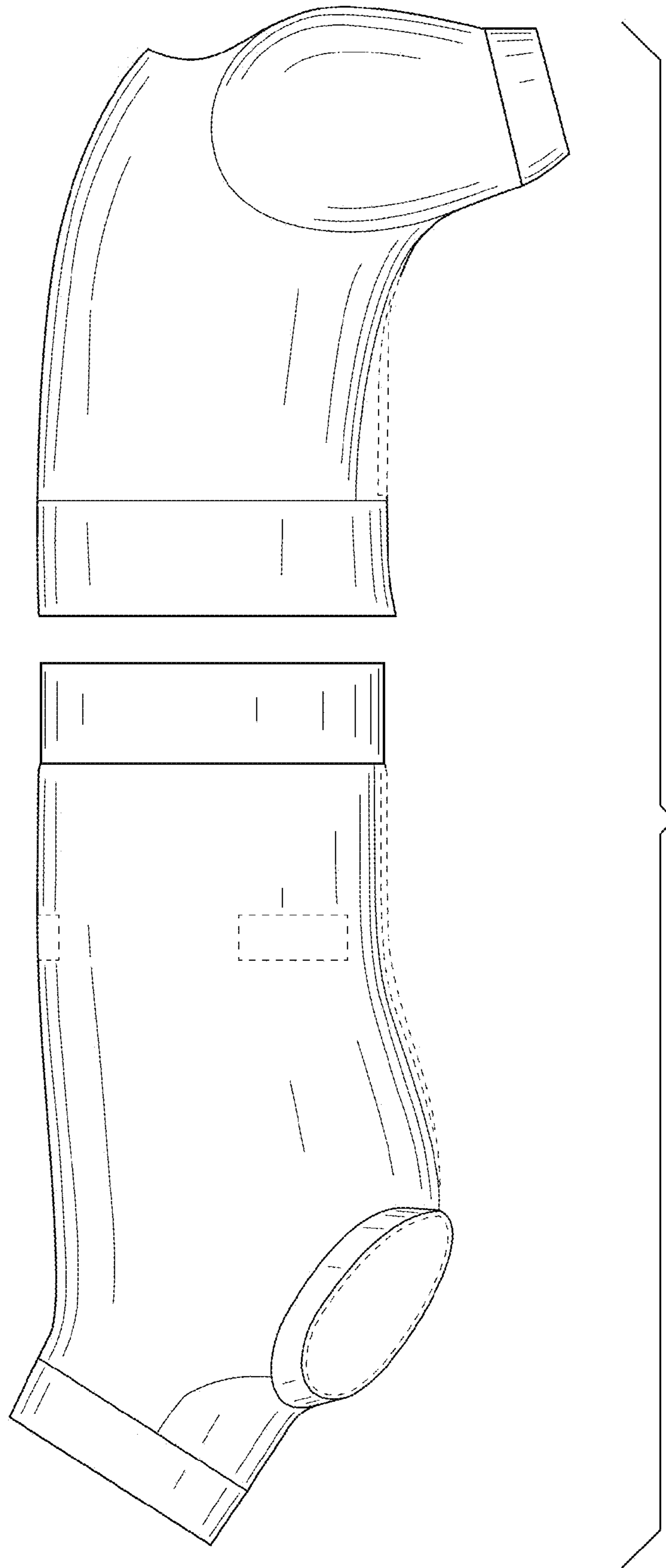


Fig. 16

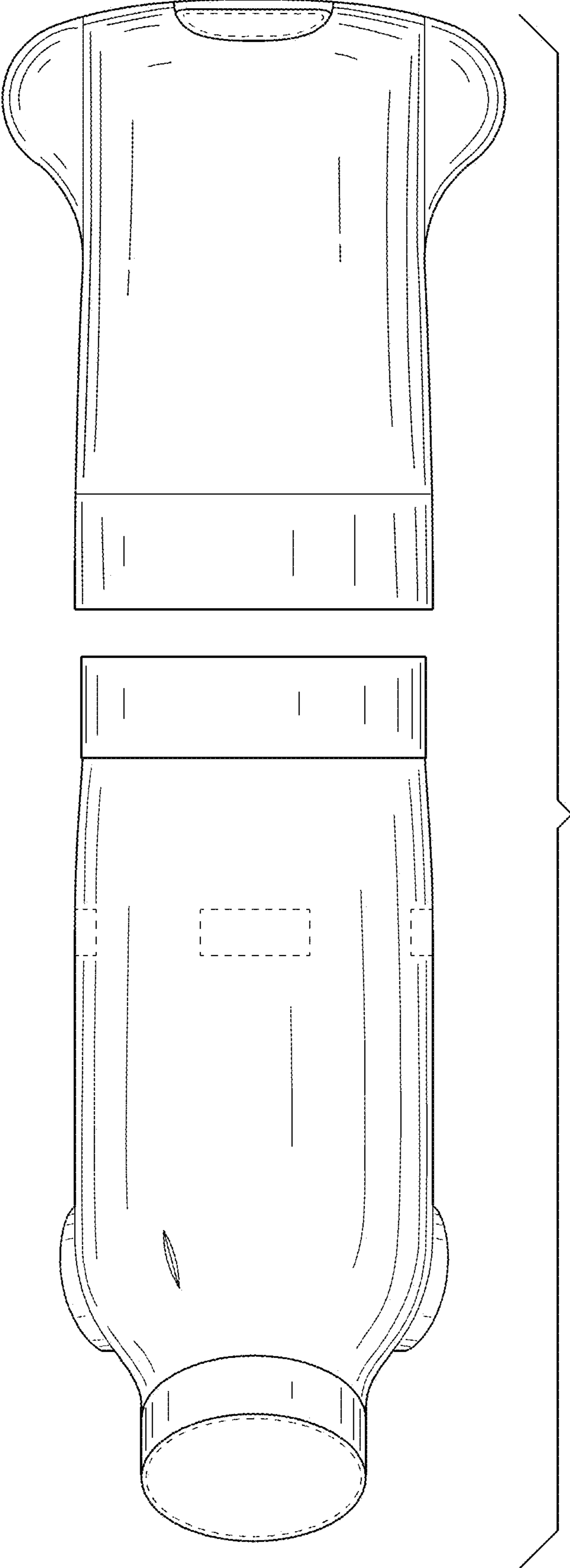


Fig. 17

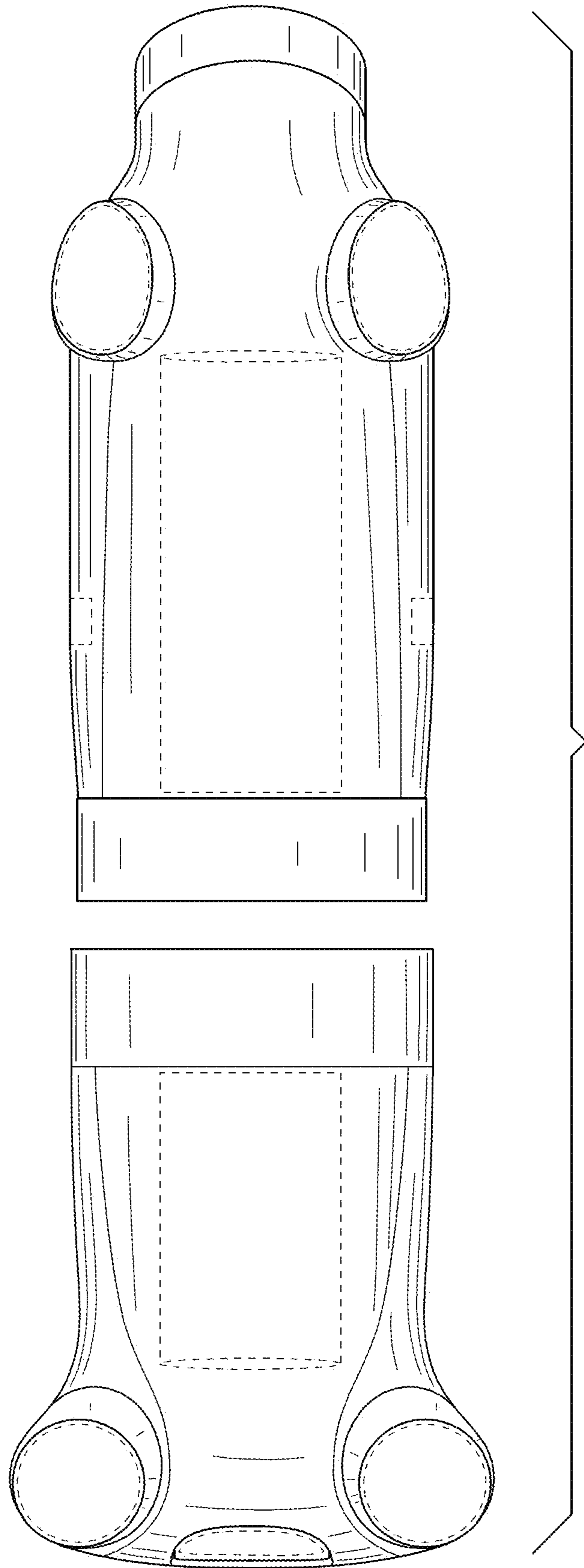


Fig. 18