



US00D747047S

(12) **United States Design Patent**
Cornwell et al.

(10) **Patent No.:** **US D747,047 S**
(45) **Date of Patent:** **** Jan. 5, 2016**

- (54) **AUTOMATIC PET FEEDING SYSTEM**
- (71) Applicant: **Radio Systems Corporation**, Knoxville, TN (US)
- (72) Inventors: **Jonathan L. Cornwell**, Powell, TN (US); **Melissa Poisson**, Knoxville, TN (US); **K. Michael Sayers**, Kodak, TN (US); **“Boey” Song JiangHong**, Shenzhen (CN)
- (73) Assignee: **Radio Systems Corporation**, Knoxville, TN (US)
- (**) Term: **15 Years**
- (21) Appl. No.: **29/529,420**
- (22) Filed: **Jun. 6, 2015**

Related U.S. Application Data

(60) Division of application No. 29/518,688, filed on Feb. 26, 2015, now Pat. No. Des. 736,481, which is a continuation-in-part of application No. 14/308,191, filed on Jun. 18, 2014.

(51) **LOC (10) Cl.** **30-07**

(52) **U.S. Cl.**
USPC **D30/122**

(58) **Field of Classification Search**

USPC D30/121, 122, 129–133; 119/61.5, 119/51.01, 61.56, 51.03, 59, 62, 63, 51.5, 119/57.8, 74, 61.54, 61.55, 53, 53.5, 75, 119/56.2, 51.02, 51.11, 51.12, 57.1, 52.1, 119/515; 312/204; 248/151, 188; 108/156, 108/153.1–157; 220/23.87, 630, 737, 743, 220/9.4, 495.01, 574, 212, 255, 23.83; 206/515; D7/586, 543, 550.1, 587, D7/505, 584, 545, 500, 553.1–553.8, 546, D7/555, 556, 504, 565, 562, 602, 605, 312, D7/313, 320, 307, 306, 309, 354, 311, 399, D7/397, 323, 332, 331, 347, 346, 322, 318, D7/317, 316, 619.1; D9/429; 43/109; D22/122; 99/430, DIG. 15, 280, 285, 99/312; 222/209, 131, 363, 349, 517, 222/153.13, 401, 1, 146.5, 23, 54, 64, 51, 222/156, 399, 400.8; 219/438, 439, 441, 219/385, 386, 402, 407; 210/94, 184, 474, 210/477

CPC A01K 5/02; A01K 5/0225; A01K 5/0114; A01K 5/025; A01K 5/0266; A01K 5/0275; A01K 5/0283; A01K 5/0291; A01K 5/0258; A01K 7/00; G01F 11/24; G01F 23/02; B67D 1/0425; B67D 1/04; B67D 1/00; B67D 1/02; B67D 1/0871; B67D 1/0802; A47J 41/0033; A47J 41/005; A47J 41/0088; A47J 41/0094; A47J 31/04; A47J 31/053; B05B 11/00; B05B 11/0002; B05B 11/0005; B05B 11/001; C02F 1/003; C02F 1/283; C02F 2307/02
See application file for complete search history.

(56) **References Cited**

U.S. PATENT DOCUMENTS

434,514 A * 8/1890 Lamb B65B 67/12
248/100
D20,134 S * 9/1890 Alden 211/74

(Continued)

Primary Examiner — Susan Moon Lee

(74) *Attorney, Agent, or Firm* — Peter L. Brewer; Baker Donelson

(57) **CLAIM**

The ornamental design for an automatic pet feeding system, as shown and described.

DESCRIPTION

FIG. 1 is a perspective view showing our new design for an automatic pet feeding system. A food bowl is shown in phantom.

FIG. 2 is a front elevational view thereof;

FIG. 3 is a back elevational view thereof.

FIG. 4 is a right side elevational view thereof. A food bowl is shown as an environmental feature.

FIG. 5 is a left side elevational view thereof.

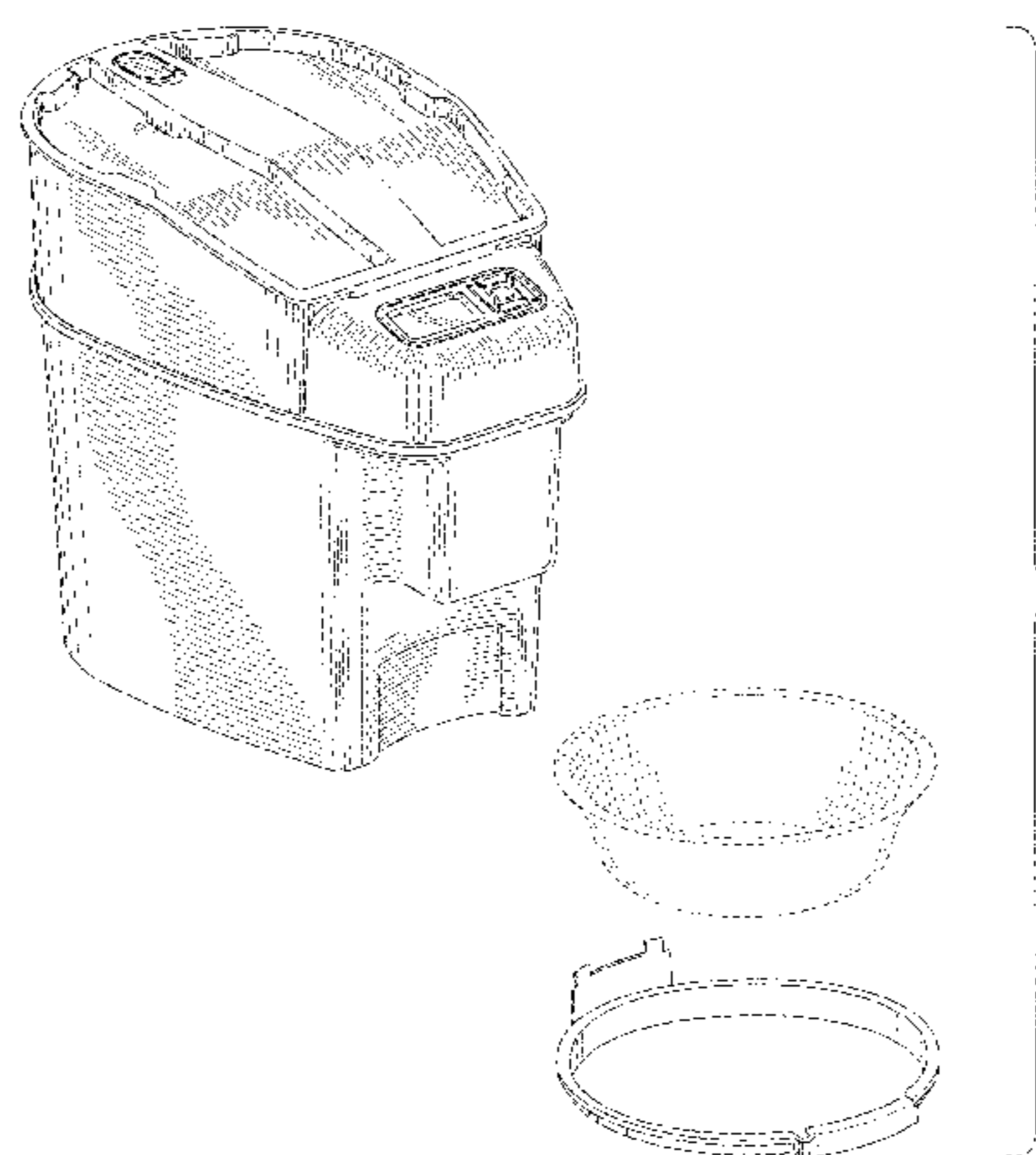
FIG. 6 is a top plan view thereof.

FIG. 7 is a bottom plan view thereof; and,

FIG. 8 is an exploded perspective view thereof.

Broken lines and unshaded portions contained within broken lines are not claimed.

1 Claim, 6 Drawing Sheets



(56)

References Cited

U.S. PATENT DOCUMENTS

2011/0220684	A1*	9/2011	Webster	B65D 83/06 222/370	2013/0098298	A1*	4/2013	Manickchan	A01K 5/0275 119/51.11
2012/0145085	A1*	6/2012	Massicotte	A01K 5/0275 119/51.11	2013/0284101	A1*	10/2013	Bagnall	A01K 61/025 119/61.57
					2015/0090186	A1*	4/2015	Massicotte	A01K 5/0275 119/51.11

* cited by examiner



FIG. 1

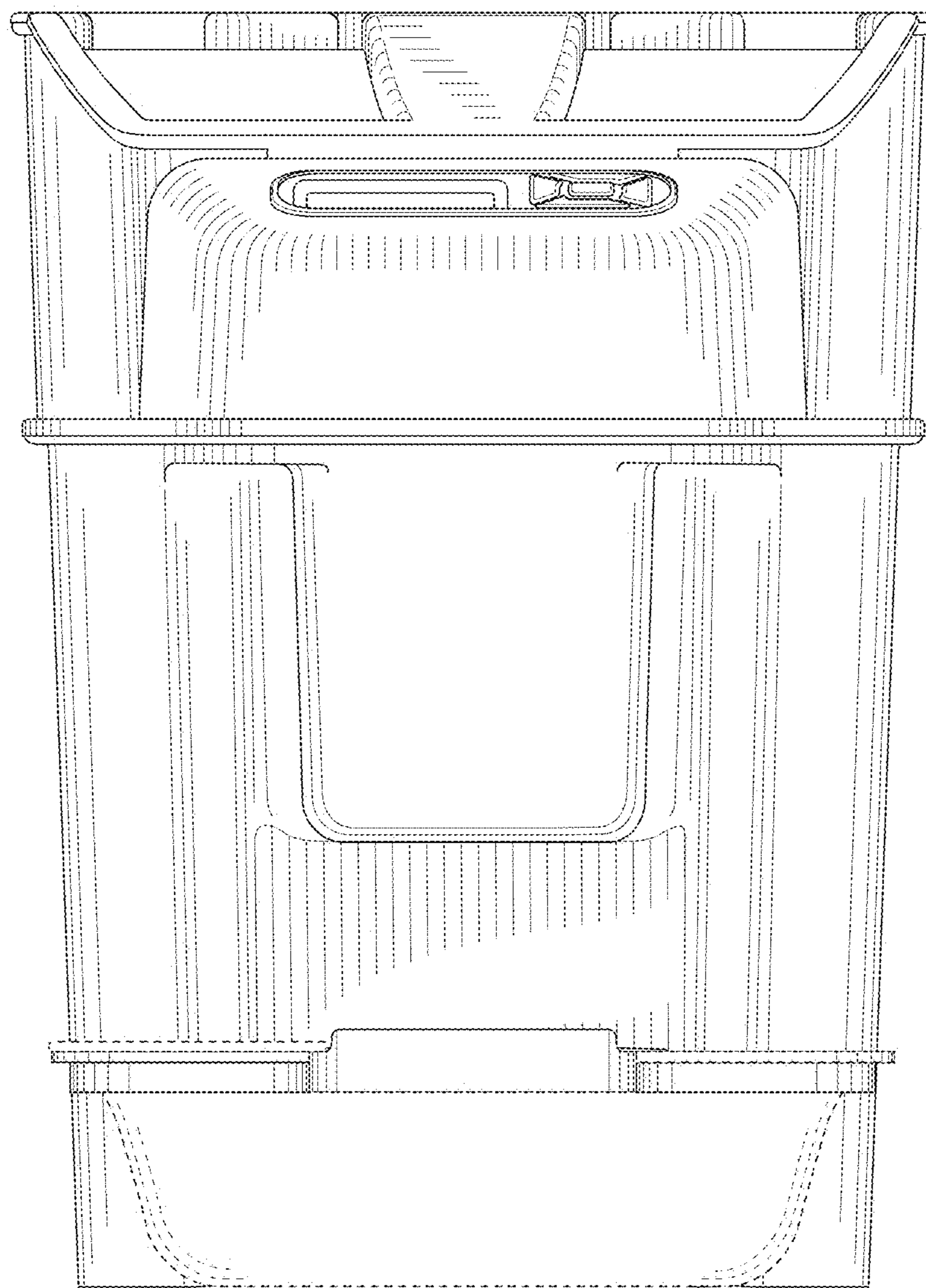


FIG. 2

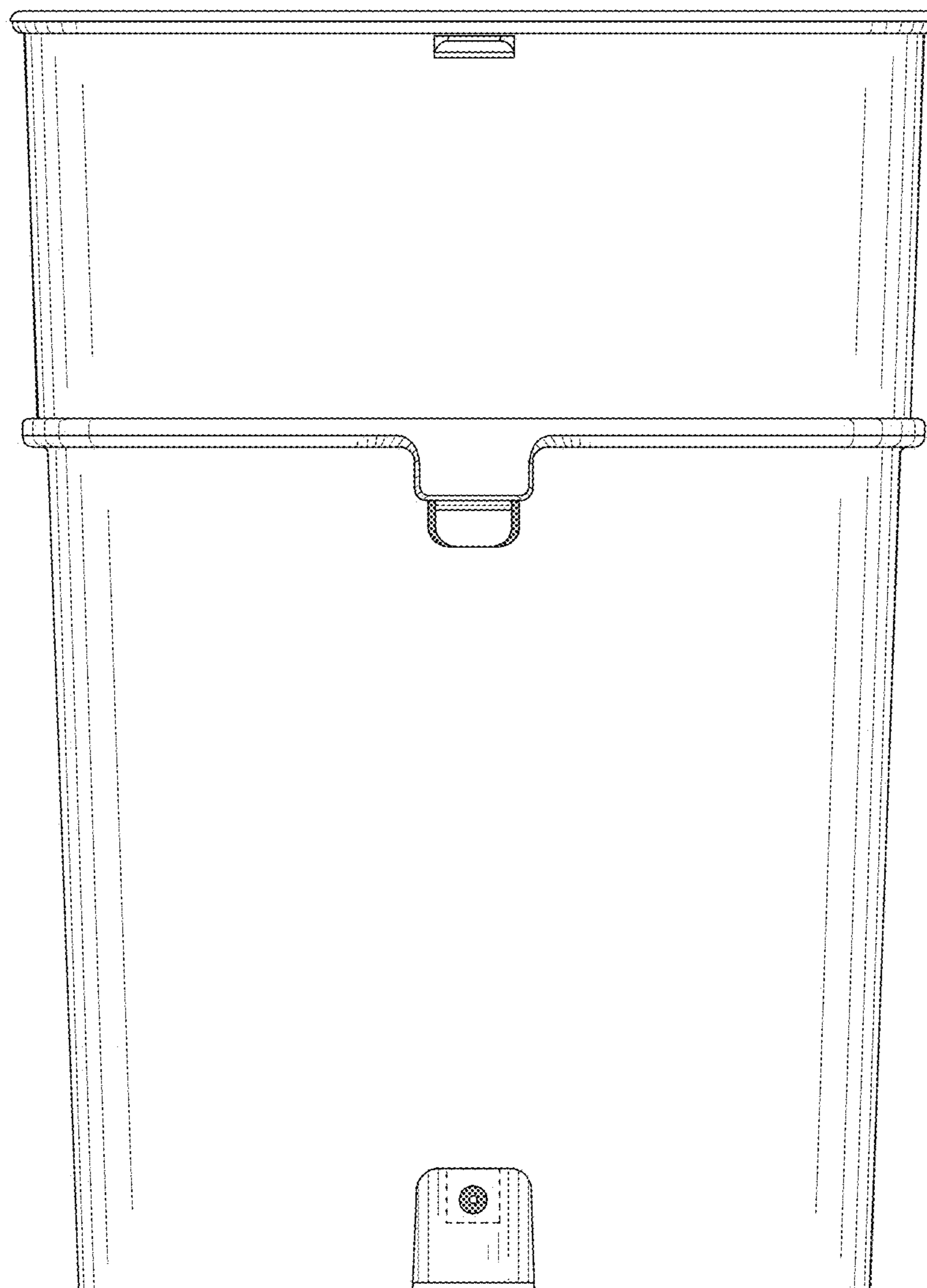


FIG. 3

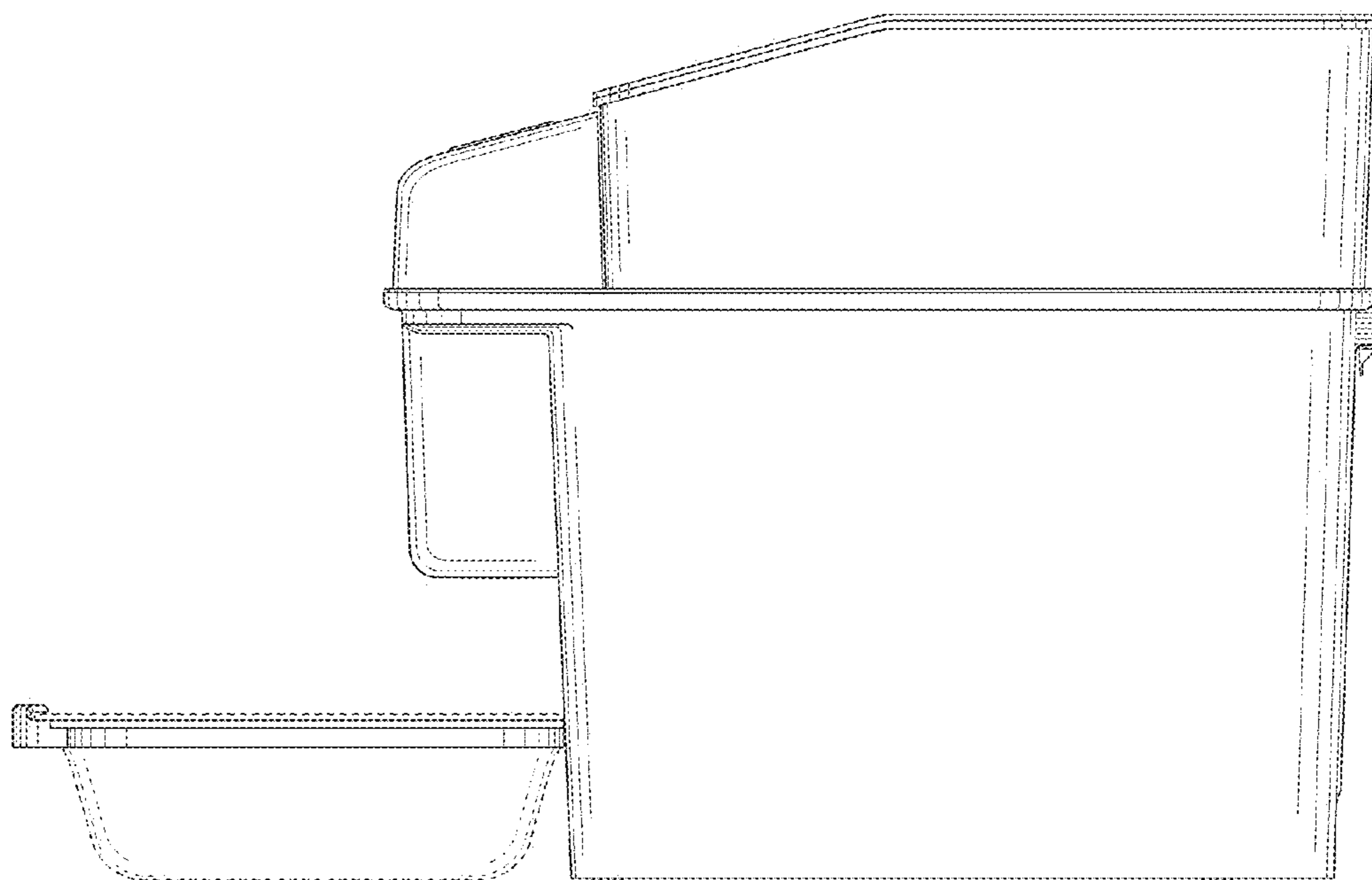


FIG. 4

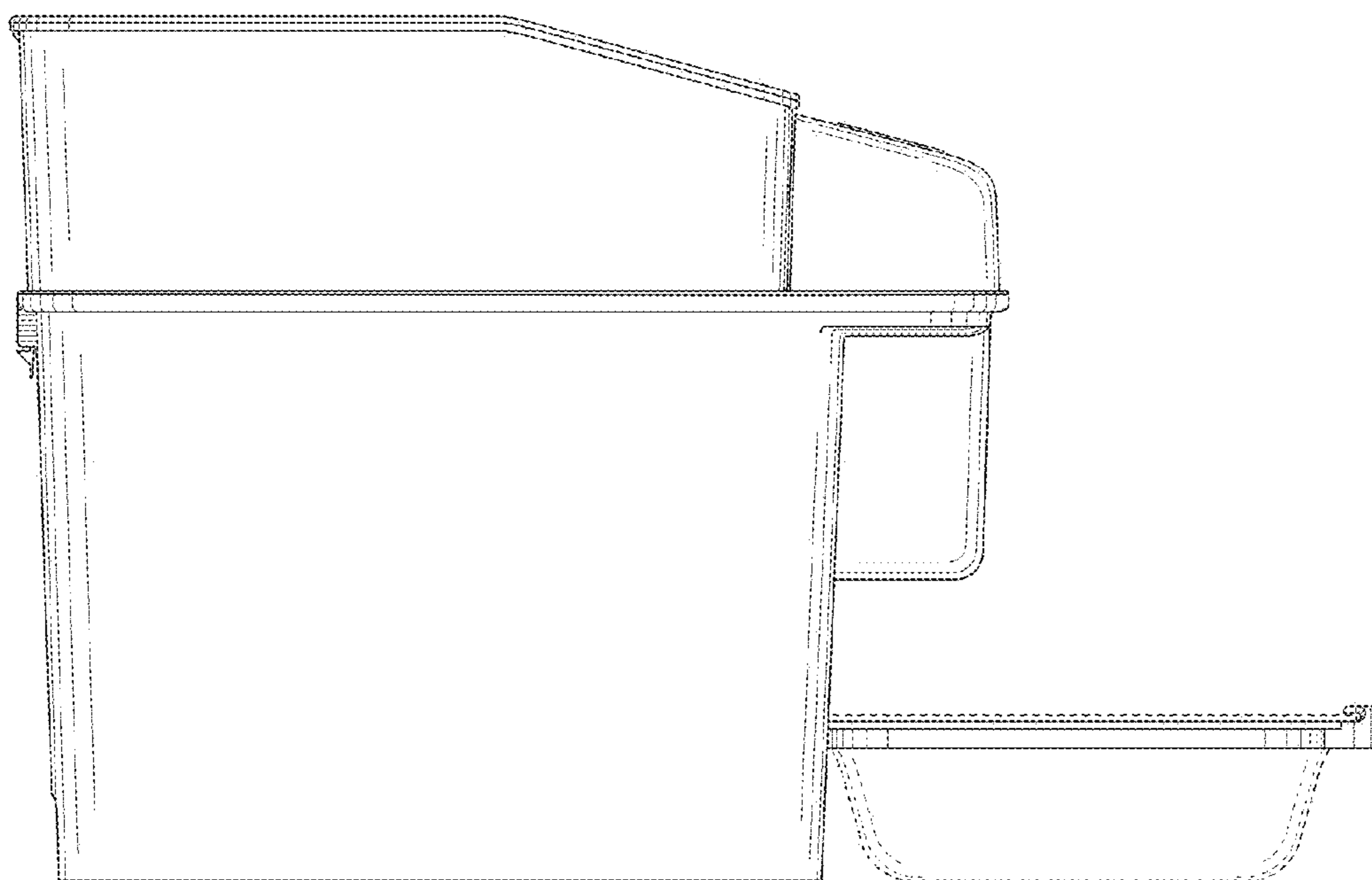


FIG. 5

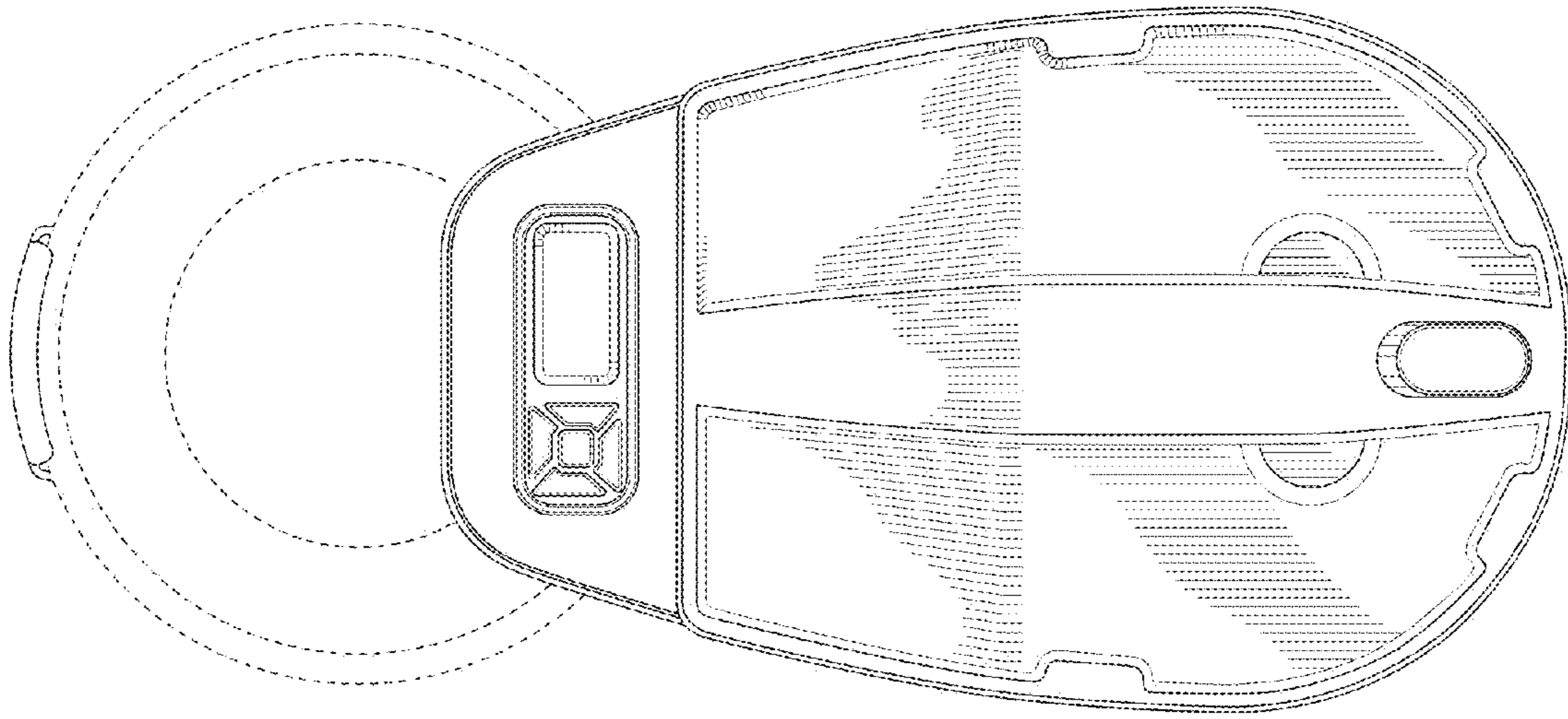


FIG. 6

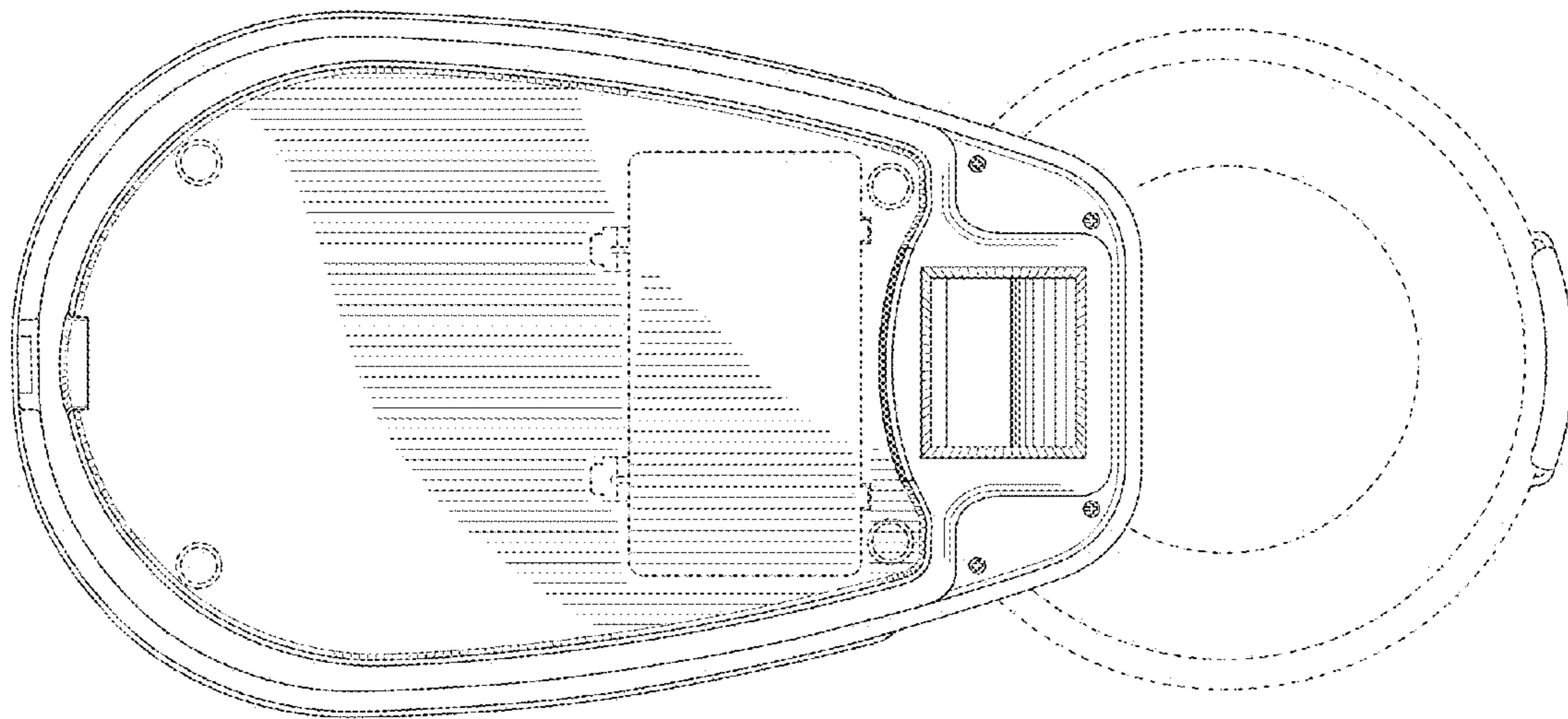


FIG. 7

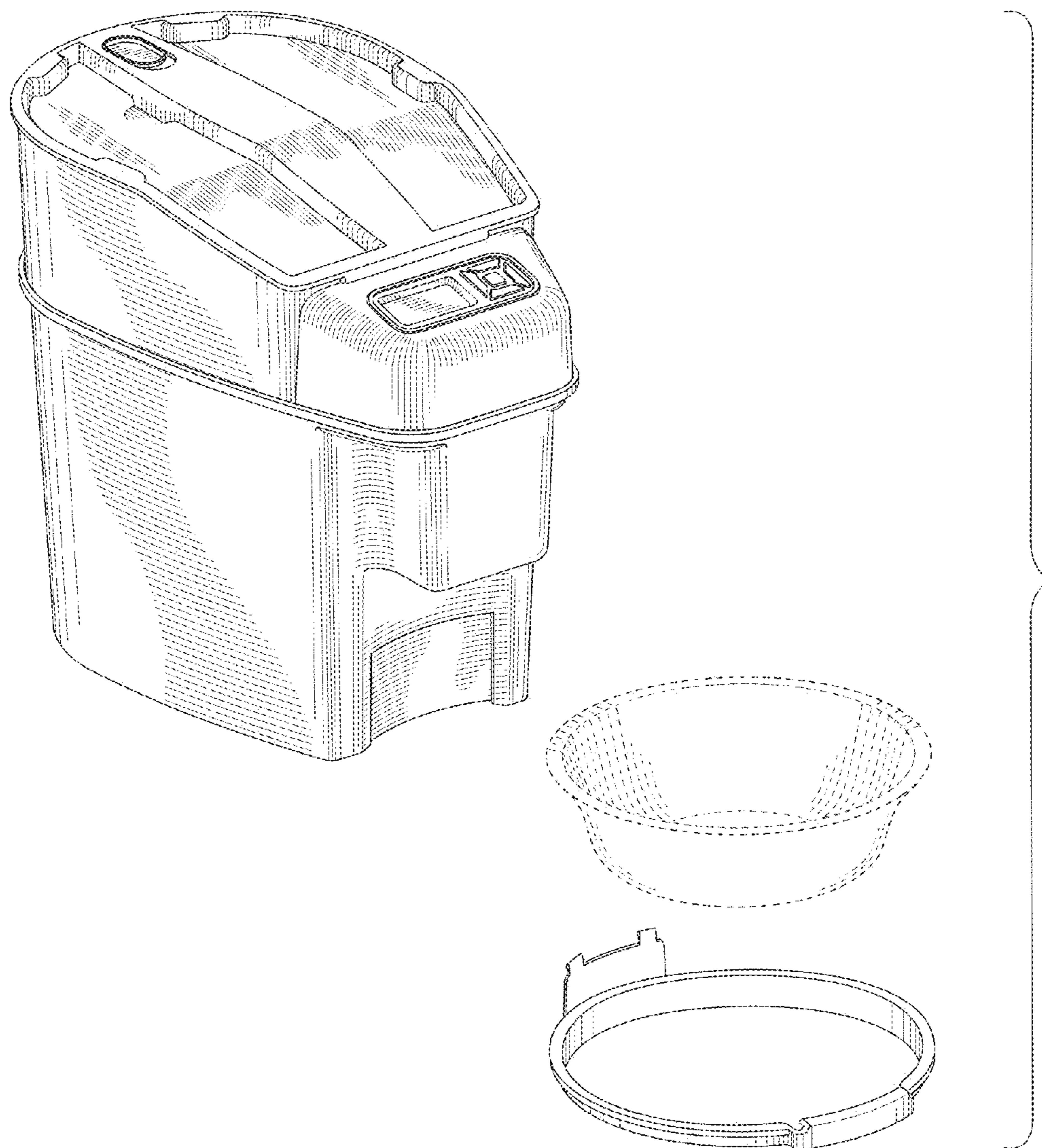


FIG. 8