



US00D747036S

(12) **United States Design Patent**
Wilturner

(10) **Patent No.:** **US D747,036 S**
(45) **Date of Patent:** **** Jan. 5, 2016**

(54) **MATCH WITH FLAG ATTACHMENT**

(71) Applicant: **Derrick Wilturner**, Pearland, TX (US)

(72) Inventor: **Derrick Wilturner**, Pearland, TX (US)

(**) Term: **14 Years**

(21) Appl. No.: **29/468,720**

(22) Filed: **Oct. 2, 2013**

(51) **LOC (10) Cl.** **27-05**

(52) **U.S. Cl.**
USPC **D27/139**; D11/166

(58) **Field of Classification Search**
USPC D27/111, 129, 137, 139, 140, 148, 161,
D27/172-174, 193, 194; D11/165-183,
D11/131.1; D23/366; D28/65; D7/683, 684;
D21/483, 490, 494, 507, 532, 561, 658,
D21/358, 386, 565; 116/173
CPC G09F 17/00; C06F 5/00; C06F 5/02;
C06F 5/04

See application file for complete search history.

(56) **References Cited**

U.S. PATENT DOCUMENTS

D18,270 S *	4/1888	Kittinger	D27/139
D30,656 S *	5/1899	Ford	D27/139
D30,657 S *	5/1899	Ford	D27/139
D155,823 S *	11/1949	Mann	434/71
D177,925 S *	6/1956	Powers et al.	D23/366
D239,514 S *	4/1976	Montgomery	D10/109.1
D290,822 S *	7/1987	McEntee	D11/166
D314,508 S	2/1991	Pascual	
D319,200 S *	8/1991	Stephenson	D11/166
D350,007 S *	8/1994	Ferguson	D99/43
D353,432 S *	12/1994	Hersh	D21/790
D360,229 S *	7/1995	Caulk	D20/41
D403,731 S *	1/1999	Larsen	D21/789
5,862,773 A *	1/1999	Kaufman	G09F 17/00 116/173
D407,988 S *	4/1999	Freeberg	D10/109.1
D411,601 S *	6/1999	Fong	D21/791
D419,259 S	1/2000	Johnson	
D420,308 S *	2/2000	Turok	D11/166
D421,730 S *	3/2000	Vance	D11/166

D435,896 S *	1/2001	Burgeson	D23/366
D442,330 S	5/2001	Cousins	
D464,912 S *	10/2002	Powell	D11/166
D473,011 S *	4/2003	Lin	D27/148
D478,129 S *	8/2003	Hanlon	D21/343
D507,186 S *	7/2005	Bleaman	D9/668
D522,170 S *	5/2006	Bleich	D27/147
D526,861 S *	8/2006	Moore	D11/166
D530,756 S *	10/2006	Greenwald	D11/166
D550,949 S *	9/2007	Bouley	D11/166
D553,778 S *	10/2007	Phillips	D26/67
D569,075 S *	5/2008	Ehrbaker	D99/43
D570,246 S *	6/2008	Spicer	D11/166
7,631,763 B1 *	12/2009	Brown	A63B 55/008 116/173
D635,714 S	4/2011	Rojas	
D638,745 S *	5/2011	Nelson	D11/166
D696,732 S *	12/2013	Mimlitch, III	D21/565
2001/0033811 A1 *	10/2001	Stanley, III	A01N 25/20 422/126
2004/0134410 A1 *	7/2004	Tal	B60Q 1/50 116/28 R

* cited by examiner

Primary Examiner — Susan Bennett Hattan

Assistant Examiner — Janice Hallmark

(74) *Attorney, Agent, or Firm* — Andrew W. Chu; Craft Chu PLLC

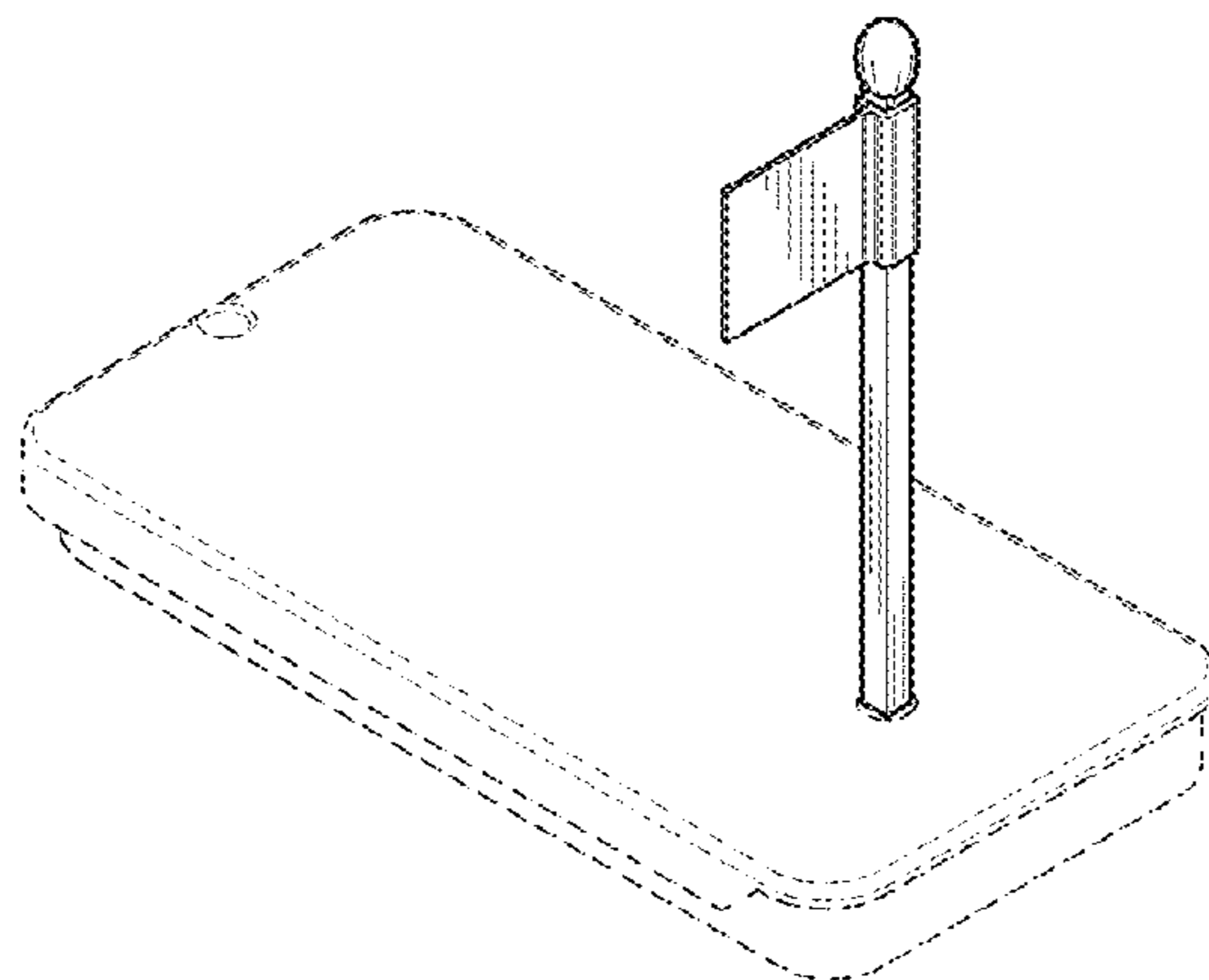
(57) **CLAIM**

The ornamental design for a match with a flag attachment, as shown and described.

DESCRIPTION

FIG. 1 is an upper perspective view of the match with a flag attachment showing my design.
FIG. 2 is a front elevation view thereof;
FIG. 3 is a back elevation view thereof;
FIG. 4 is a side elevation view thereof;
FIG. 5 is an opposite side elevation view thereof;
FIG. 6 is a top plan view thereof;
FIG. 7 is a bottom plan view thereof; and,
FIG. 8 is another upper perspective view thereof, showing placement in a stand in broken lines.
The features shown in broken lines are presented for illustrative purposes and form no part of the claimed design.

1 Claim, 1 Drawing Sheet



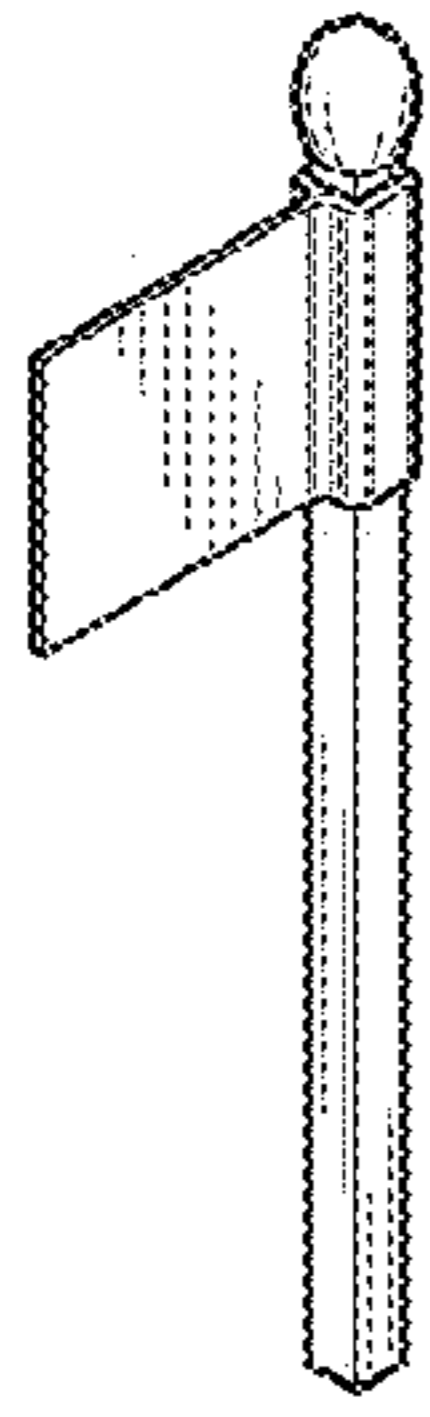


FIG. 1

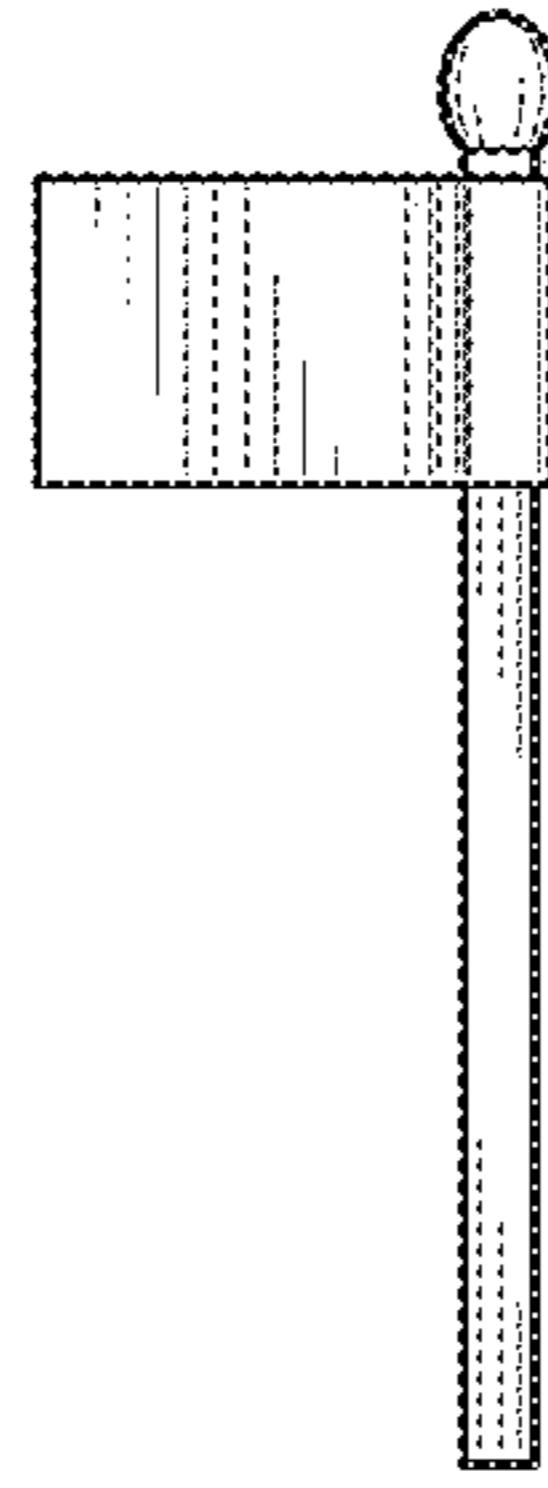


FIG. 2

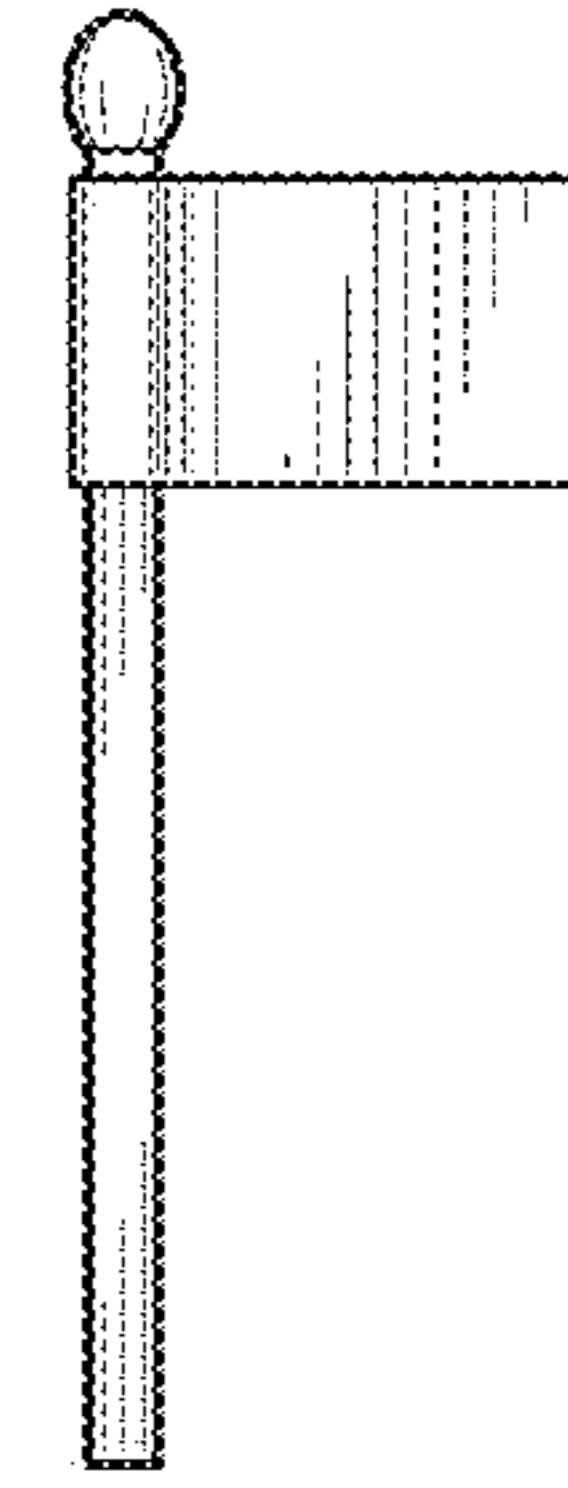


FIG. 3



FIG. 4

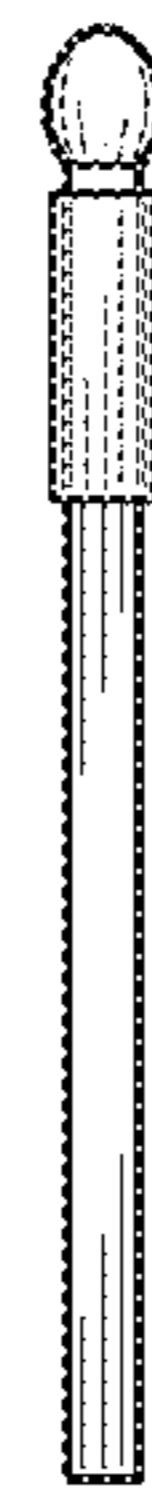


FIG. 5

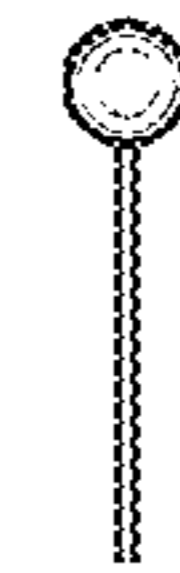


FIG. 6

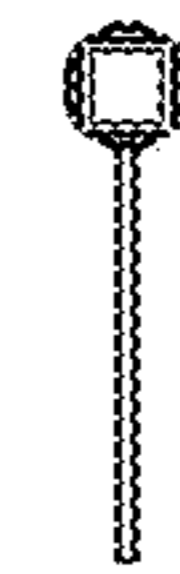


FIG. 7

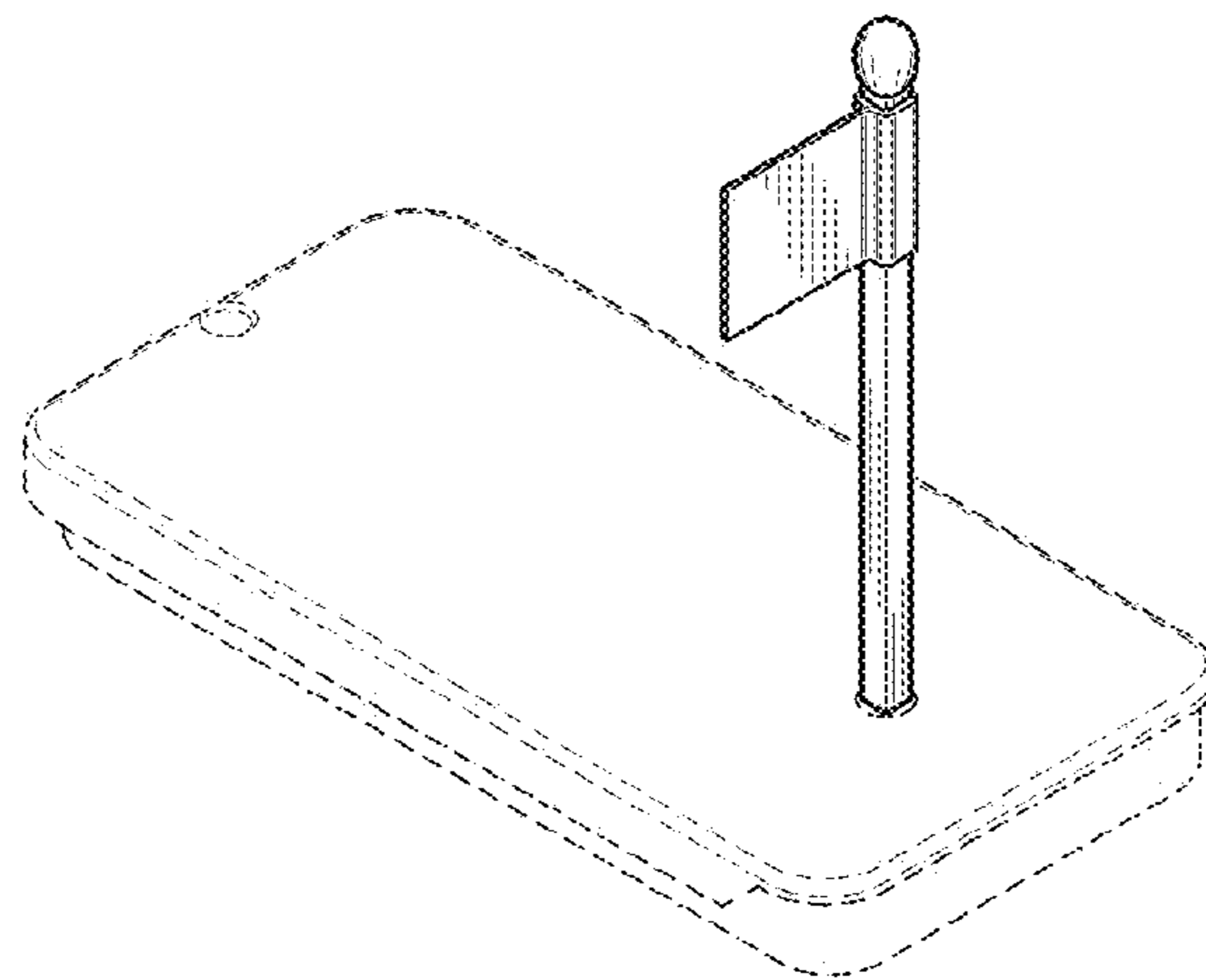


FIG. 8