



US00D747030S

(12) **United States Design Patent**
Pfund et al.

(10) **Patent No.:** **US D747,030 S**
(45) **Date of Patent:** **** Jan. 5, 2016**

- (54) **LUMINAIRE MOUNTING INTERFACE**
- (71) Applicant: **SYLVAN R. SHEMITZ DESIGNS INCORPORATED**, West Haven, CT (US)
- (72) Inventors: **David R. Pfund**, Woodbridge, CT (US); **Matthew R. Bullard**, Unionville, CT (US); **Allison K. Shemitz Walker**, New Haven, CT (US)
- (73) Assignee: **SYLVAN R. SHEMITZ DESIGNS, LLC**, West Haven, CT (US)
- (**) Term: **14 Years**
- (21) Appl. No.: **29/479,008**
- (22) Filed: **Jan. 10, 2014**

Related U.S. Application Data

- (63) Continuation of application No. 13/739,838, filed on Jan. 11, 2013.
- (51) **LOC (10) Cl.** **26-99**
- (52) **U.S. Cl.**
USPC **D26/138**
- (58) **Field of Classification Search**
USPC D26/72, 76, 80
CPC F21S 4/00; F21S 4/003; F21S 4/005; F21S 4/006; F21S 4/007; F21S 4/008; F21S 6/00; F21S 6/004; F21S 6/006; F21S 8/00; F21S 8/024; F21S 8/026; F21S 8/031; F21S 8/035-8/037; F21S 8/04; F21S 8/043; F21S 8/063
See application file for complete search history.

(56) **References Cited**

U.S. PATENT DOCUMENTS

- D125,468 S * 2/1941 Dreyfuss D26/24
- D147,467 S * 9/1947 Meyer D26/76
- D152,177 S * 12/1948 Trombley D7/402

- D163,762 S * 6/1951 McCann D26/76
- 2,715,449 A * 8/1955 Smith et al. 181/30
- 3,240,928 A 3/1966 Young
- 3,919,459 A * 11/1975 Van Steenhoven 362/368
- D274,657 S * 7/1984 Herst et al. D26/76
- 4,680,677 A 7/1987 Ross

(Continued)

Primary Examiner — George D Kirschbaum
Assistant Examiner — Natasha Vujcic
(74) *Attorney, Agent, or Firm* — Cantor Colburn LLP

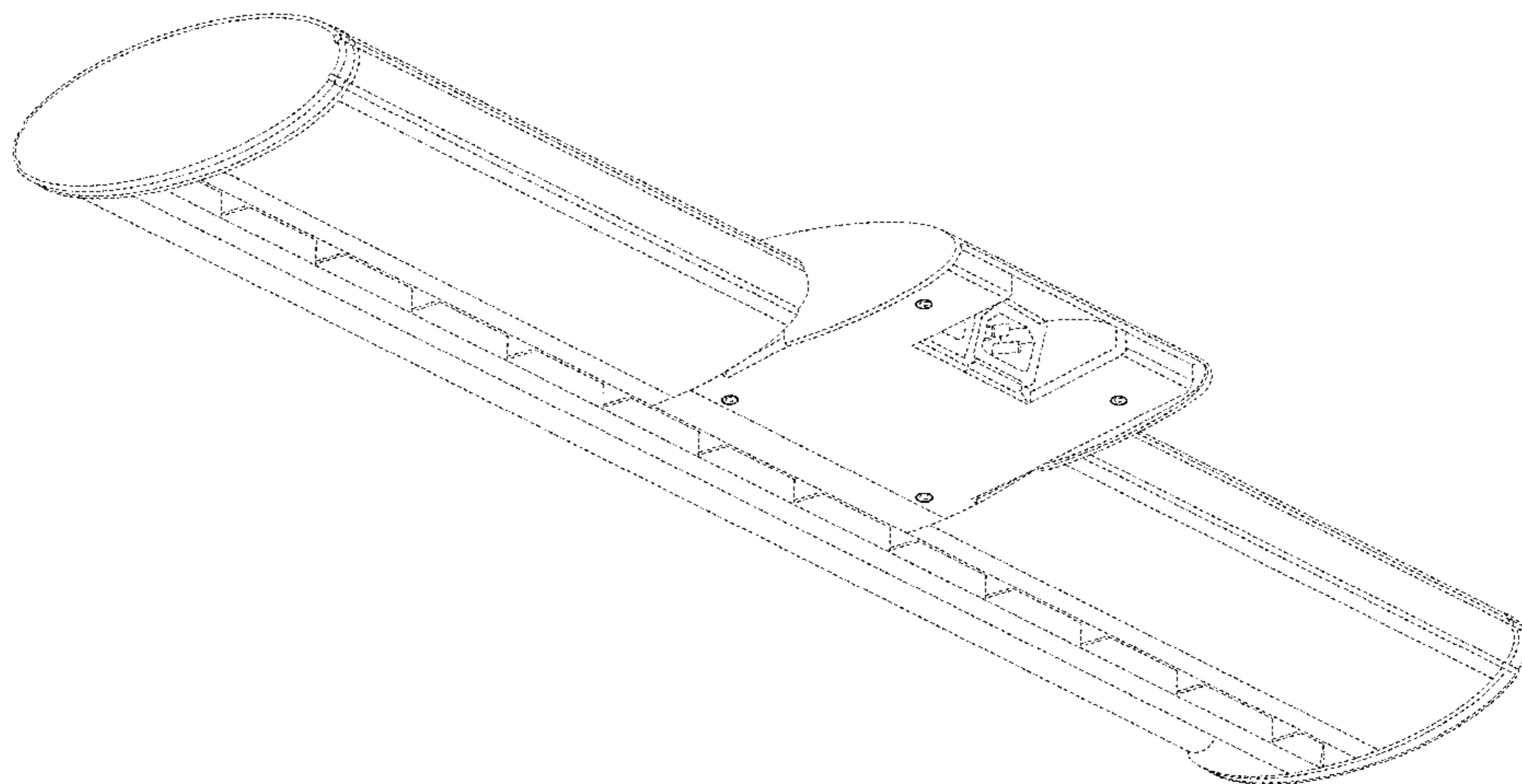
(57) **CLAIM**

We claim, the ornamental design for a luminaire mounting interface, as shown and described.

DESCRIPTION

FIG. 1 is a top perspective view of a luminaire mounting interface showing our new design;
FIG. 2 is a bottom perspective view thereof;
FIG. 3 is a top plan view thereof;
FIG. 4 is a front elevation view thereof;
FIG. 5 is a side elevation view thereof, the opposite side being a mirror image thereof;
FIG. 6 is a bottom plan view thereof;
FIG. 7 is a rear elevation view thereof;
FIG. 8 is a plan view of the mounting interface thereof;
FIG. 9 is a top perspective view of another embodiment thereof;
FIG. 10 is a bottom perspective view thereof;
FIG. 11 is a top plan view thereof;
FIG. 12 is a front elevation view thereof;
FIG. 13 is a side elevation view thereof, the opposite side being a mirror image thereof;
FIG. 14 is a bottom plan view thereof;
FIG. 15 is a rear elevation view thereof; and,
FIG. 16 is a plan view of the mounting interface thereof.
The broken lines in the drawings illustrate portions of the luminaire mounting interface which form no part of the claimed design.

1 Claim, 16 Drawing Sheets



(56)

References Cited

U.S. PATENT DOCUMENTS

4,849,864 A 7/1989 Forrest
 5,001,611 A 3/1991 Beachy et al.
 5,136,493 A 8/1992 Straus et al.
 5,245,518 A * 9/1993 Aspenwall 362/640
 5,266,738 A 11/1993 MacVoy
 5,272,605 A 12/1993 Johnstone
 D344,605 S * 2/1994 Aspenwall D26/76
 5,687,945 A 11/1997 Lee
 D401,001 S * 11/1998 Herst et al. D26/77
 6,168,292 B1 1/2001 Sherman
 D472,007 S * 3/2003 Weitgasser D26/76
 D492,809 S * 7/2004 Weitgasser D26/76
 RE40,158 E * 3/2008 Weitgasser D26/76
 D581,080 S * 11/2008 Mier-Langner D26/76
 7,556,399 B1 7/2009 Bailey

D604,885 S * 11/2009 Ford et al. D26/78
 D607,598 S * 1/2010 Xiao et al. D26/80
 D607,599 S * 1/2010 Zhou et al. D26/80
 D614,631 S * 4/2010 Chiang D14/447
 8,203,090 B2 * 6/2012 King 200/303
 8,915,616 B2 * 12/2014 Jeon et al. 362/294
 D734,890 S * 7/2015 Bobel D26/92
 2007/0263394 A1 11/2007 Thielemans et al.
 2009/0278480 A1 11/2009 Nunes
 2011/0051435 A1 * 3/2011 Pfund et al. 362/382
 2011/0128746 A1 6/2011 Zheng
 2011/0222284 A1 9/2011 Kong et al.
 2012/0170293 A1 7/2012 Terry
 2012/0218769 A1 8/2012 Van Horn et al.
 2012/0243200 A1 9/2012 Sutton et al.
 2013/0176743 A1 * 7/2013 Pfund et al. 362/382
 2014/0133164 A1 * 5/2014 Pfund et al. 362/382

* cited by examiner

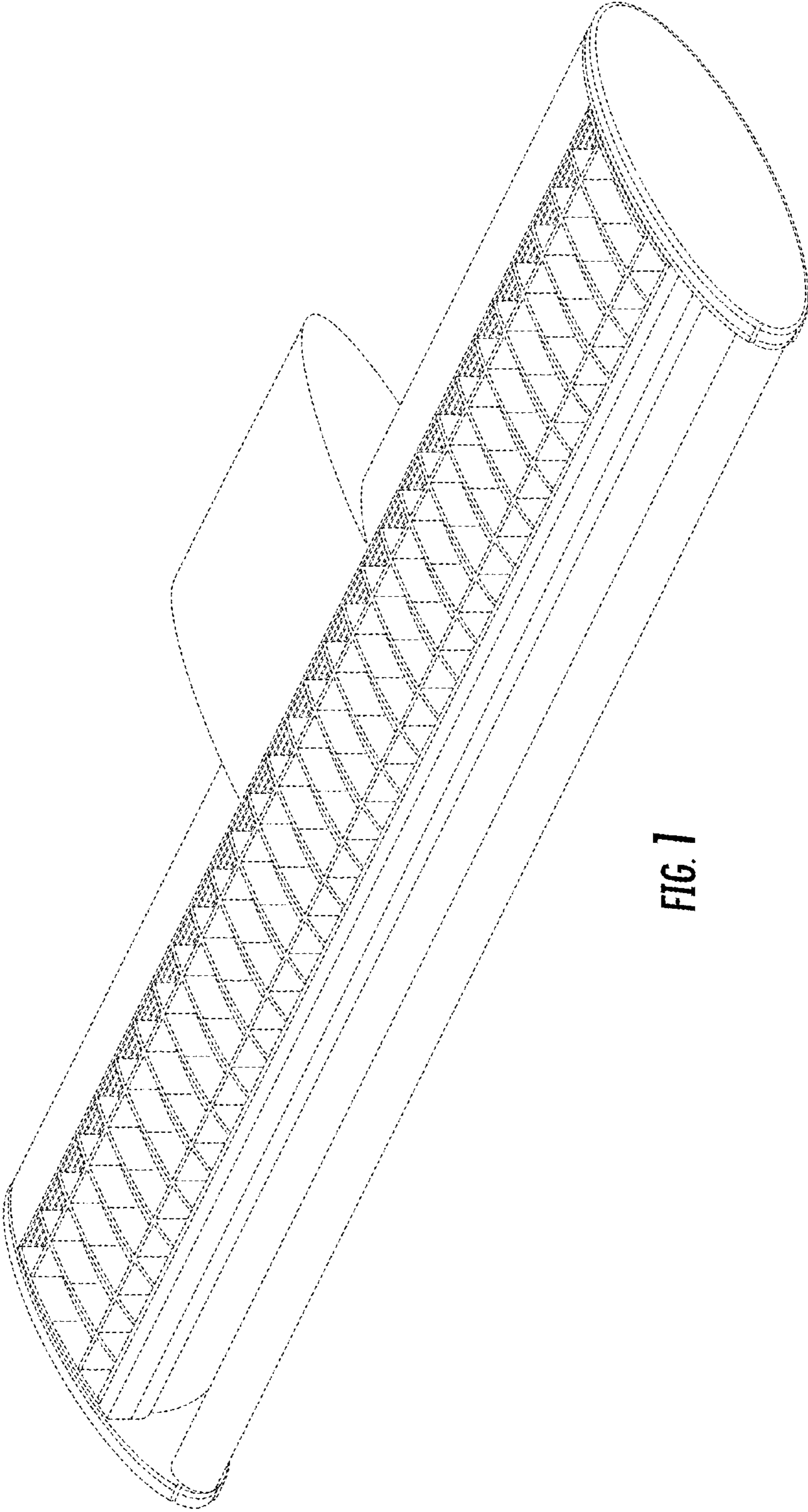


FIG. 1

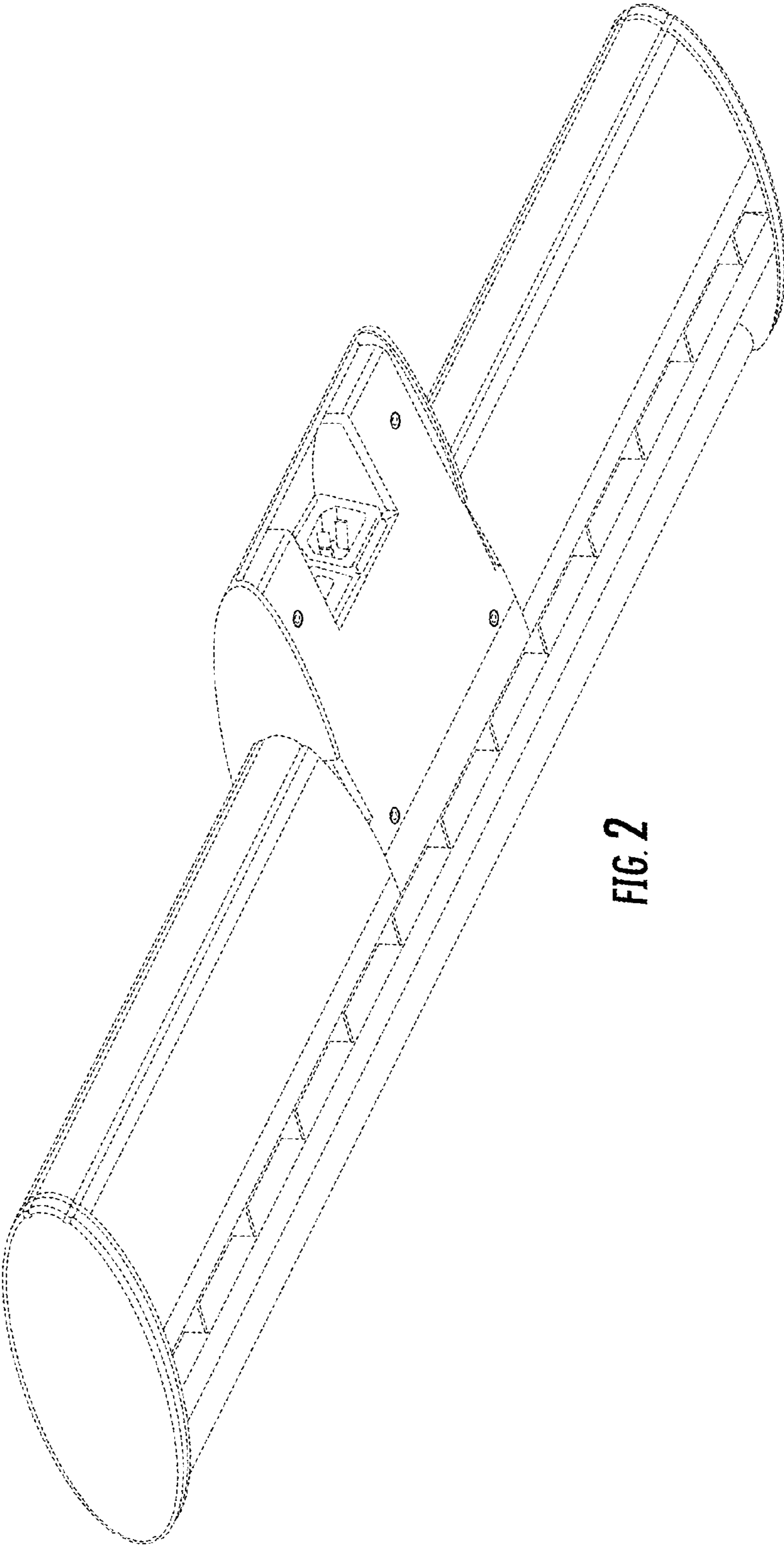


FIG. 2

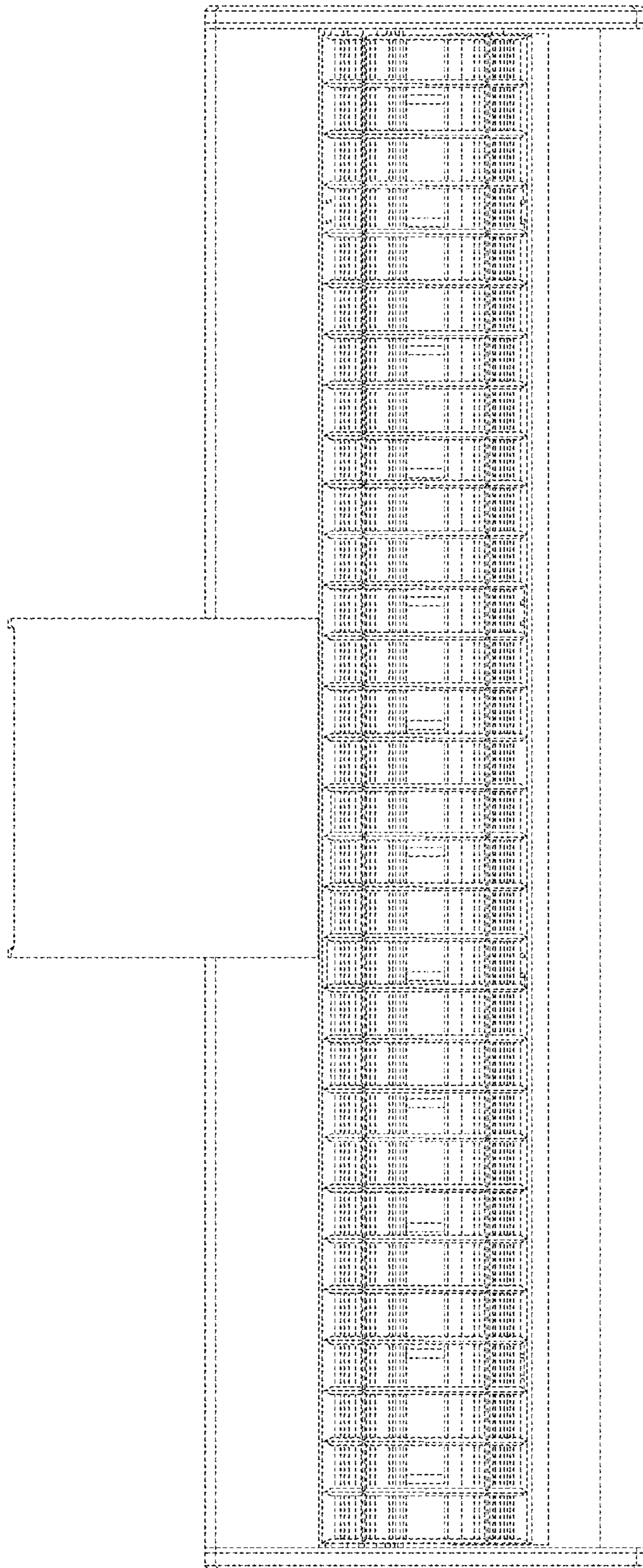


FIG. 3

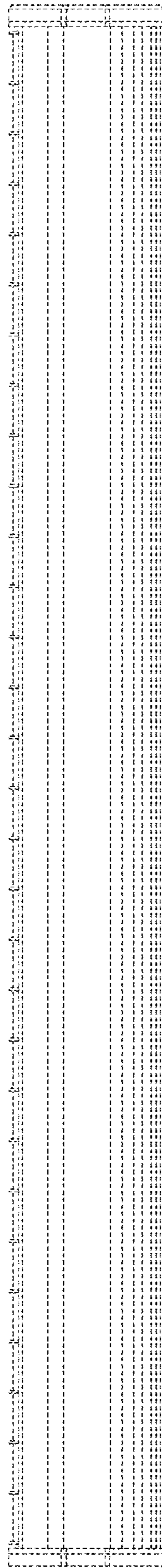


FIG. 4

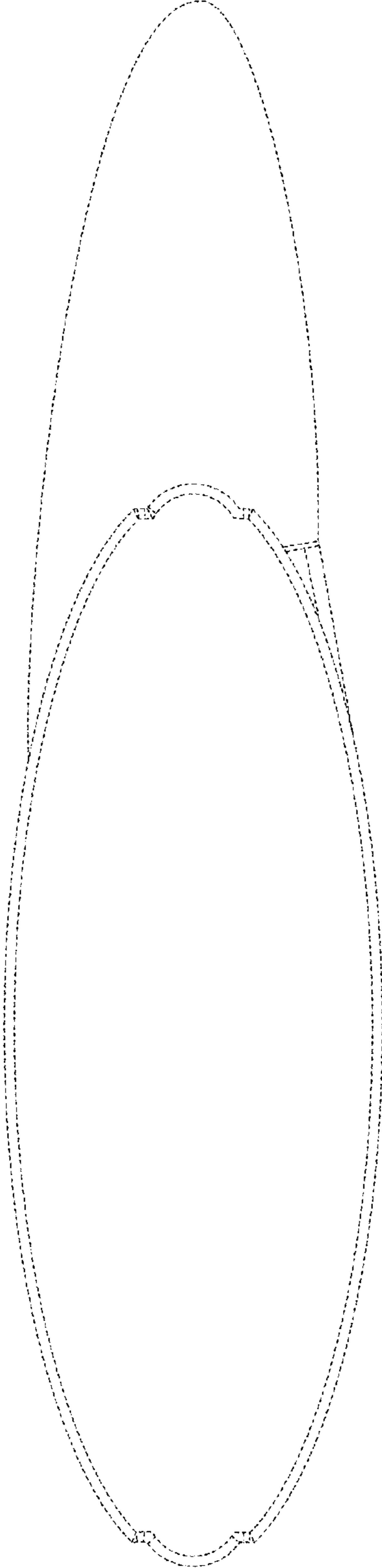


FIG. 5

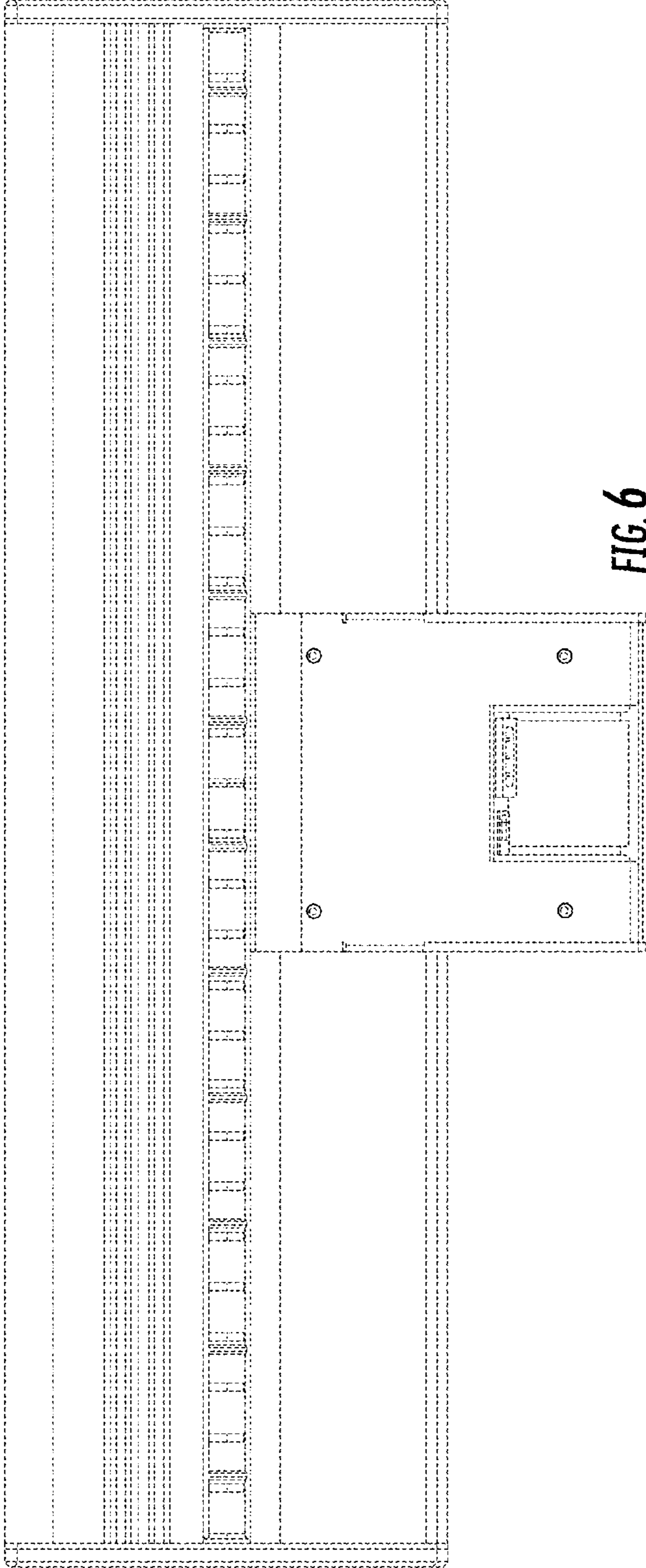


FIG. 6

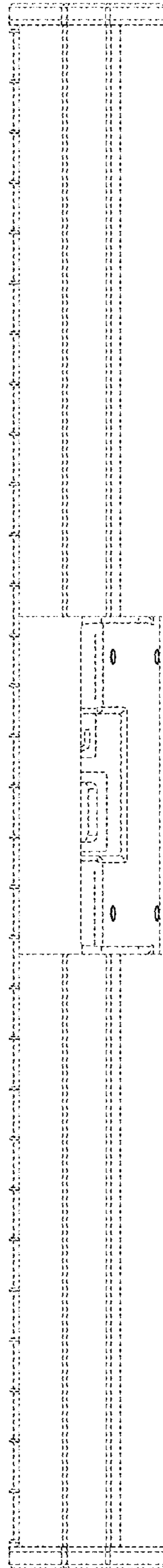


FIG. 7

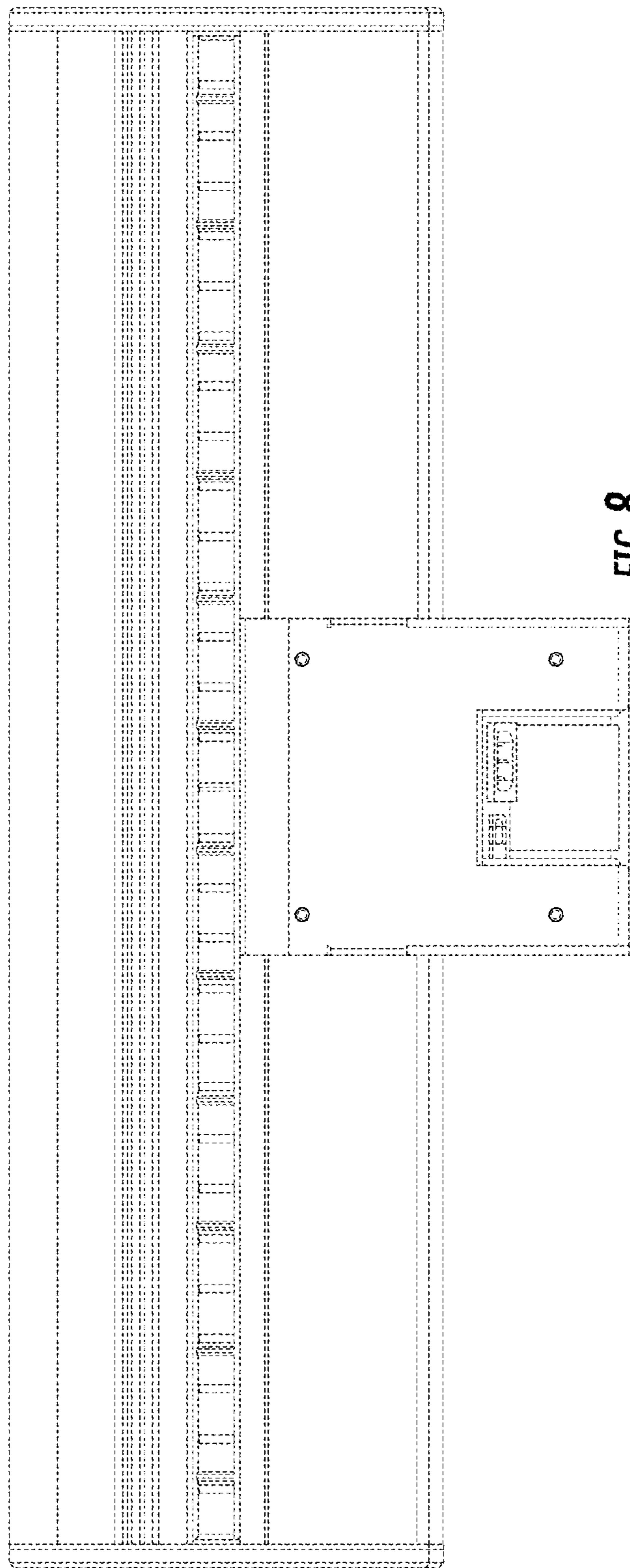


FIG. 8

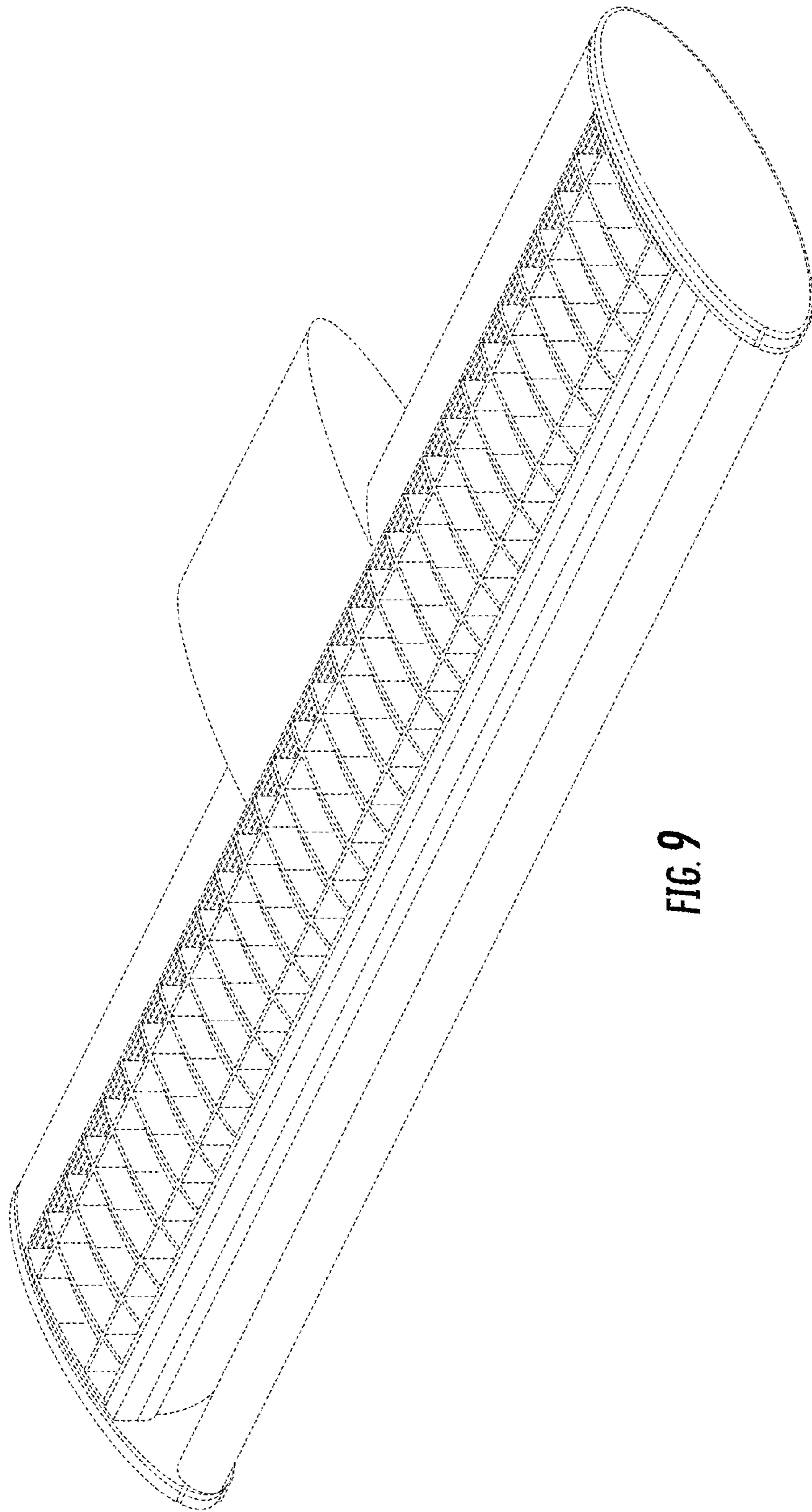


FIG. 9

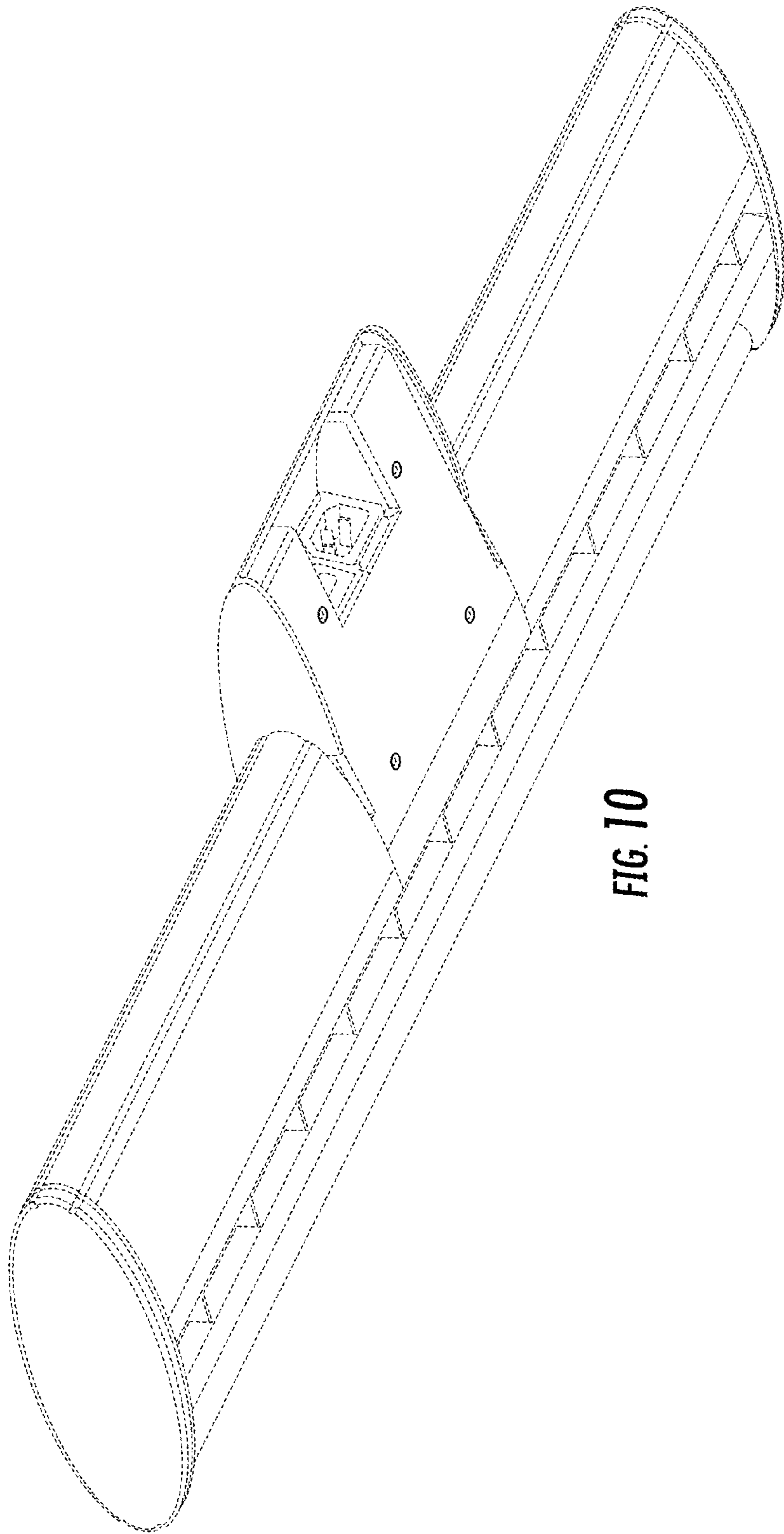


FIG. 10

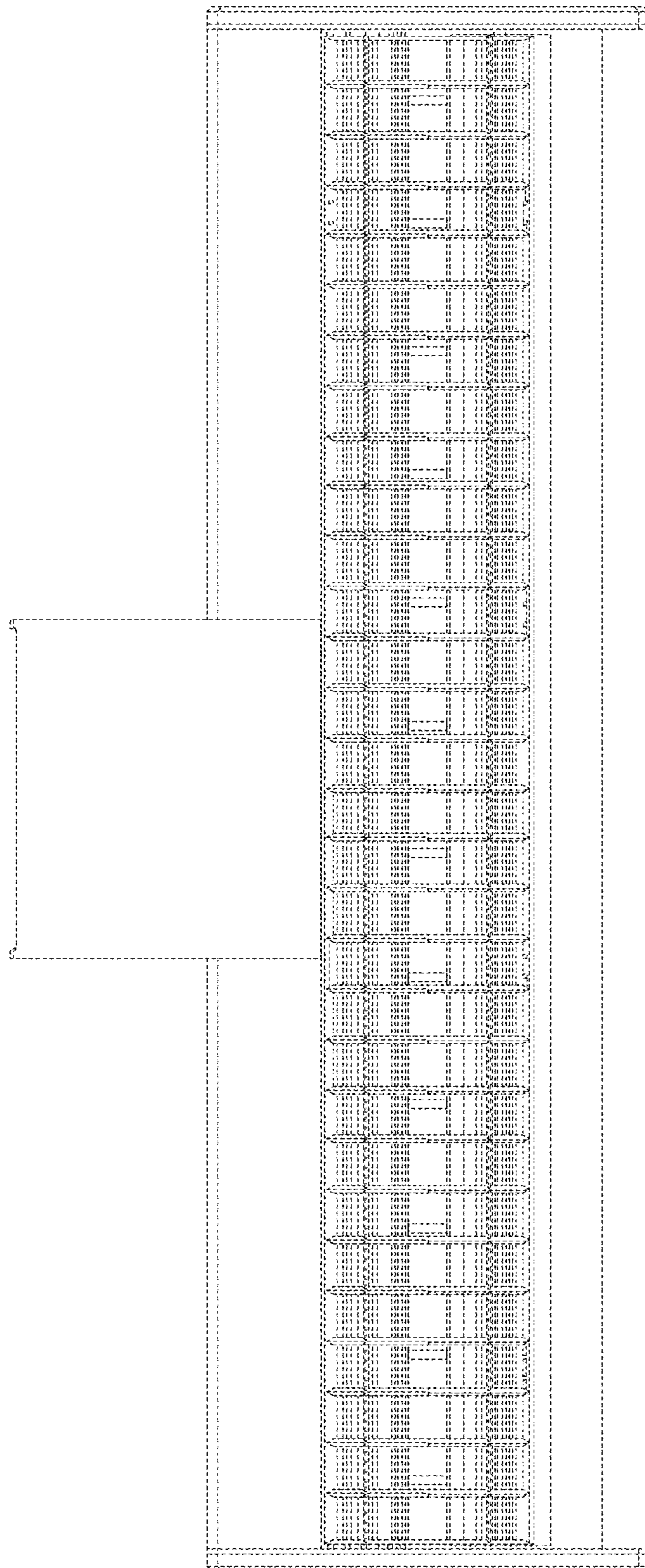


FIG. 11

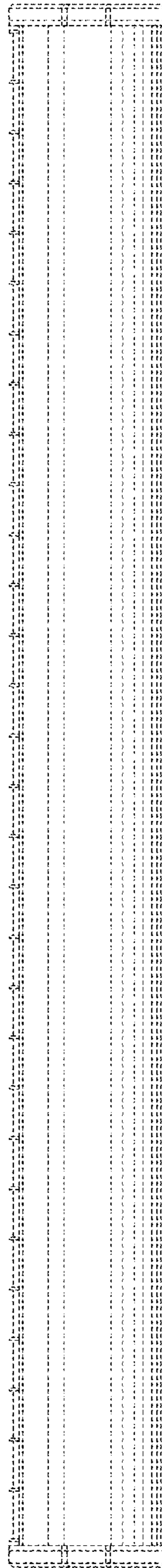


FIG. 12

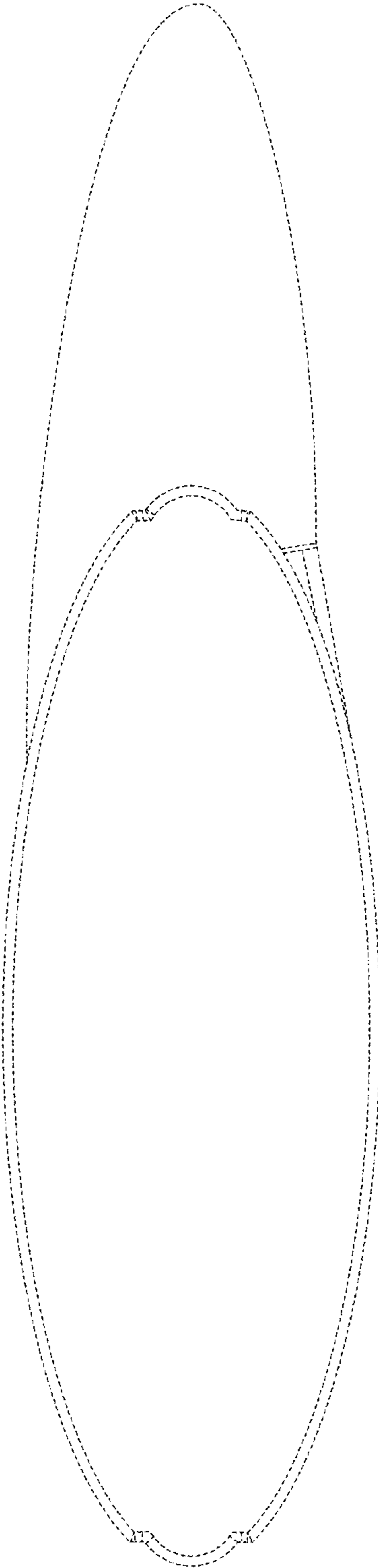


FIG. 13

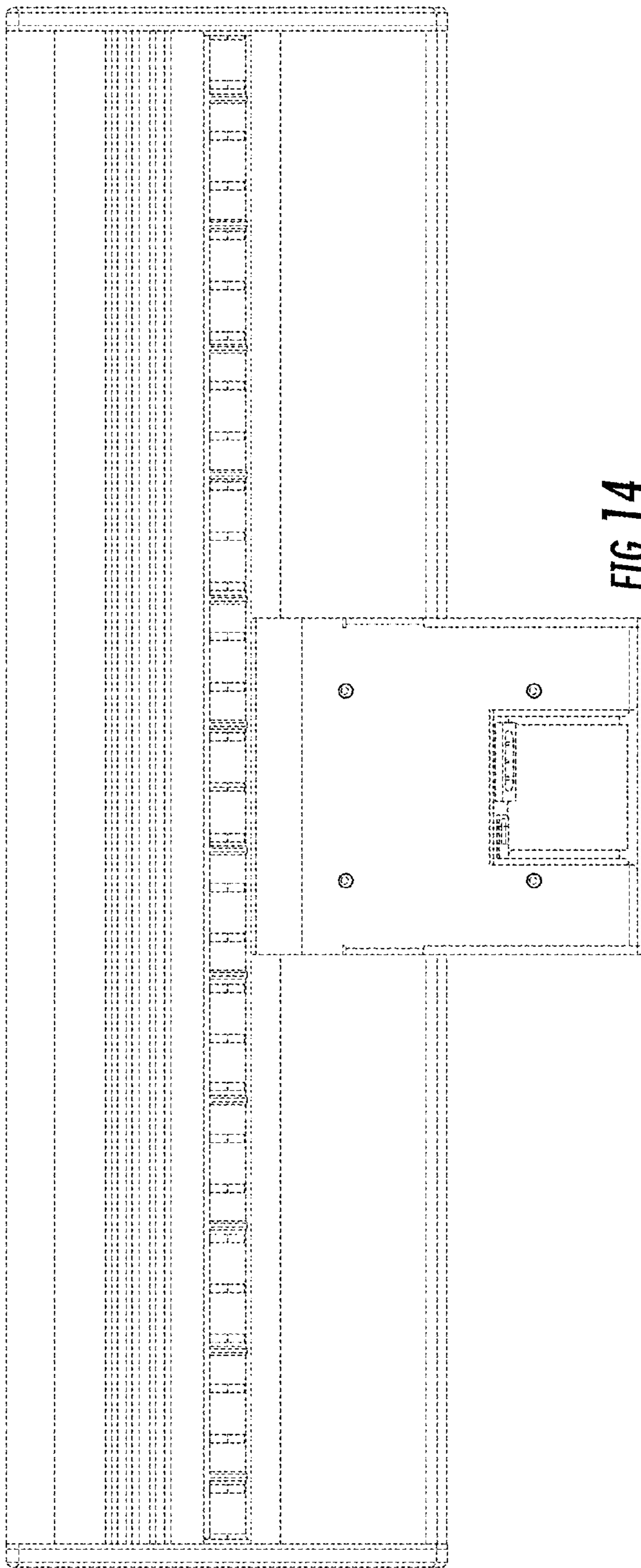


FIG. 14

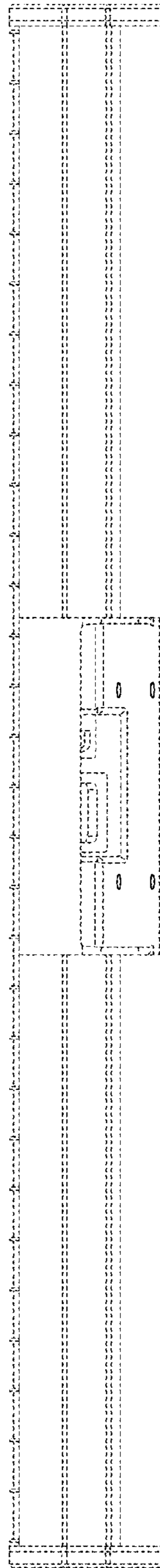


FIG. 15

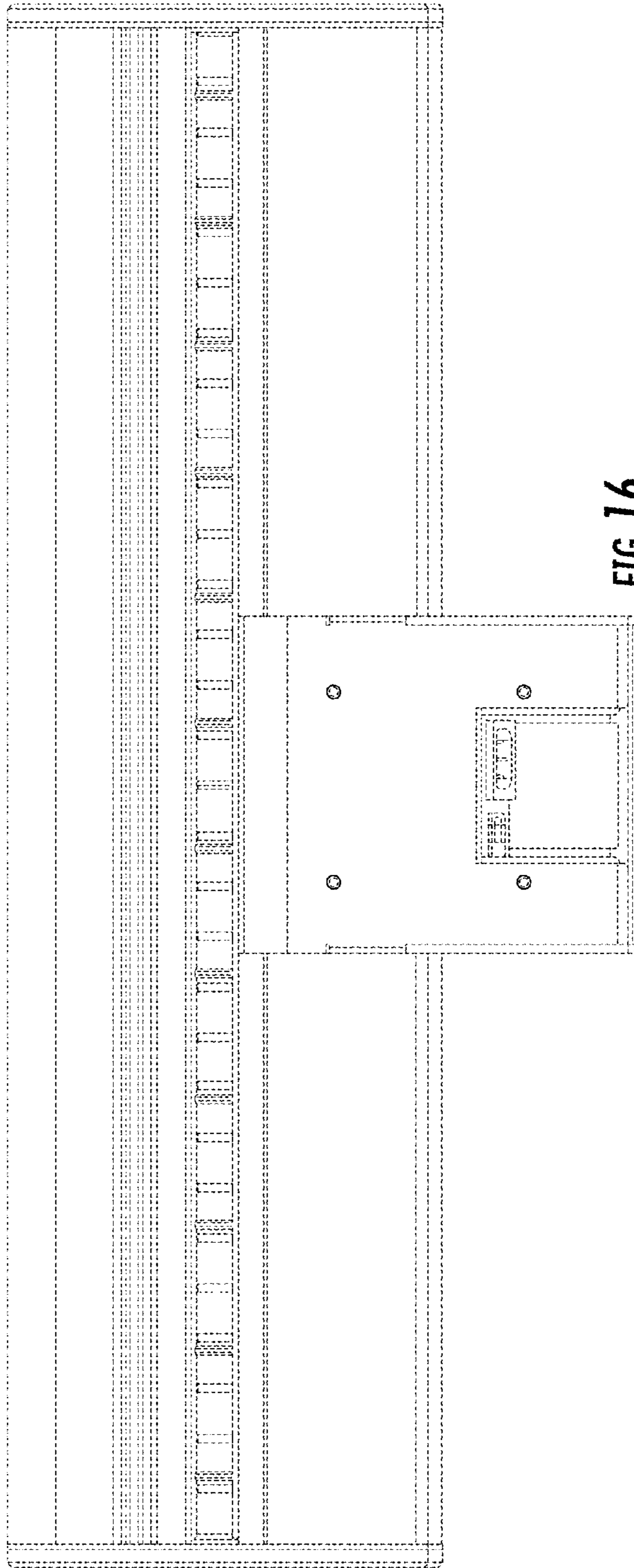


FIG. 16