



US00D747029S

(12) **United States Design Patent**
Reynolds

(10) **Patent No.:** **US D747,029 S**
(45) **Date of Patent:** **** Jan. 5, 2016**

- (54) **HORTICULTURE GROW LIGHT**
- (71) Applicant: **IP Holdings, LLC**, Vancouver, WA (US)
- (72) Inventor: **Chris Reynolds**, Vancouver, WA (US)
- (73) Assignee: **IP Holdings, LLC**, Vancouver, WA (US)
- (**) Term: **14 Years**
- (21) Appl. No.: **29/506,973**
- (22) Filed: **Oct. 22, 2014**
- (51) **LOC (10) Cl.** **26-99**
- (52) **U.S. Cl.**
USPC **D26/118**
- (58) **Field of Classification Search**
USPC D26/9, 10, 12, 13, 15, 16, 24, 51, 61,
D26/72, 76, 80, 81, 85, 86, 88, 90, 113, 118,
D26/119, 120, 122, 128, 129, 138, 143, 144,
D26/5, 6, 11, 79, 114, 116, 131, 137, 121,
D26/127, 135, 180; D13/180; D10/18, 21,
D10/24, 25, 27, 28, 46, 93, 104.1, 113, 114,
D10/116.1; D17/99
CPC B60Q 1/04; B60Q 1/26; F21S 8/026;
F21S 8/04; F21V 29/004; F21V 21/02;
F21V 21/04; F21V 29/2212; F21V 37/002;
F21V 7/00; F21V 29/83; F21V 7/22; F21Y
2101/02; F21L 19/00; F23D 11/443; A61L
9/037
See application file for complete search history.

(56) **References Cited**

U.S. PATENT DOCUMENTS

- 1,930,070 A * 10/1933 Zecher A23L 3/28
220/2.1 R
- 2,348,617 A * 5/1944 Furedy A61N 5/06
250/504 R

- 3,322,946 A * 5/1967 Cooper F21V 7/22
359/359
- D245,016 S * 7/1977 Barr D25/56
- D259,738 S * 6/1981 Boschetti D24/210
- 4,531,180 A * 7/1985 Hernandez F21V 11/00
362/297

(Continued)

OTHER PUBLICATIONS

Apollo Horticulture GLRLS24 6" Inch Air Cooled Hydroponic Grow Light Glass Reflector Hood, image post date Oct. 15, 2010, site visited Oct. 3, 2014, (online), <http://www.amazon.com/Apollo-Horticulture-GLRLS24-Hydroponic-Reflector/dp/B00BMVK8HG/ref=cm_cd_ql_qh_dp_i>.*

Primary Examiner — Kevin Rudzinski

Assistant Examiner — Sean D Lough

(74) *Attorney, Agent, or Firm* — J. Douglas Wells

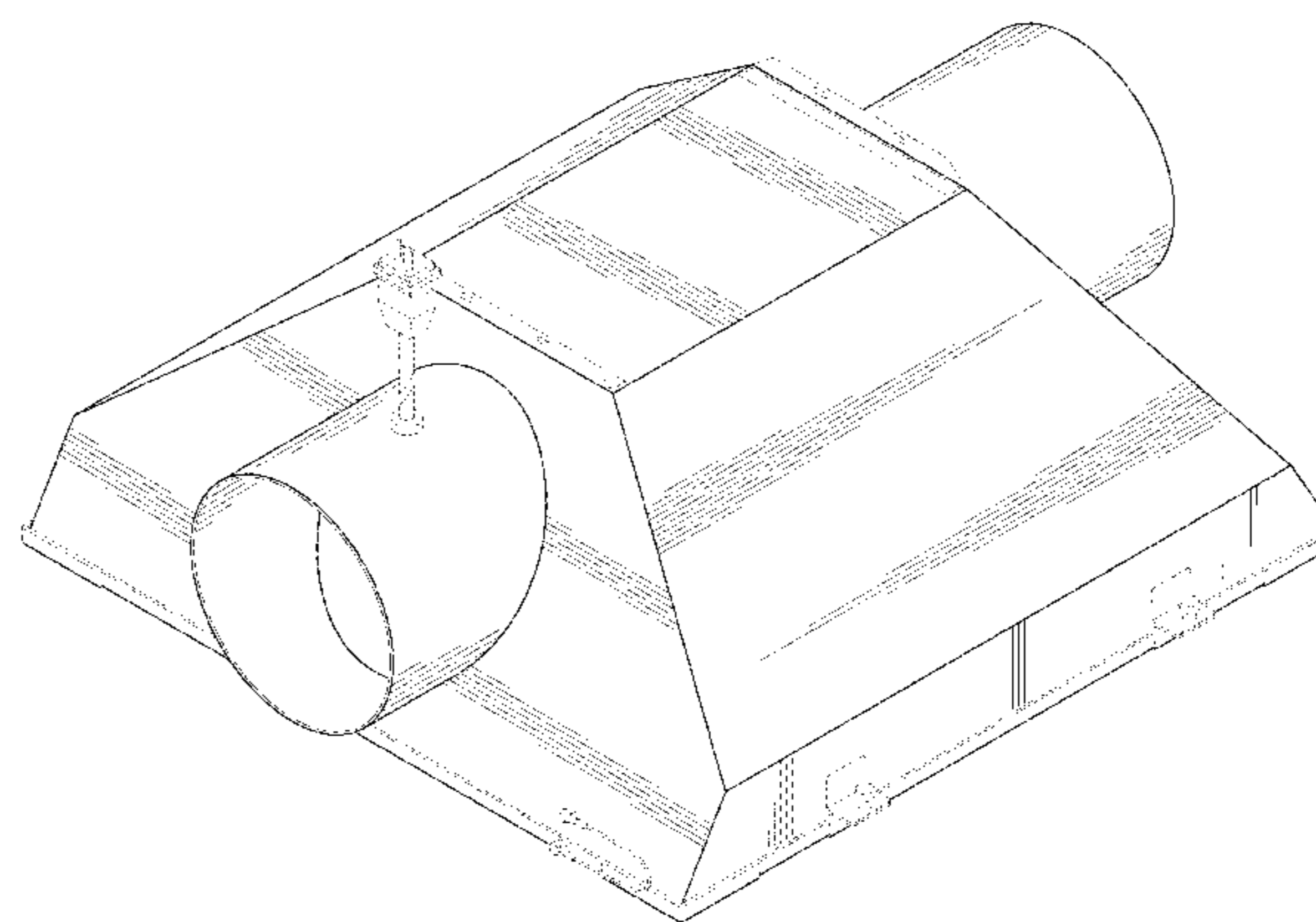
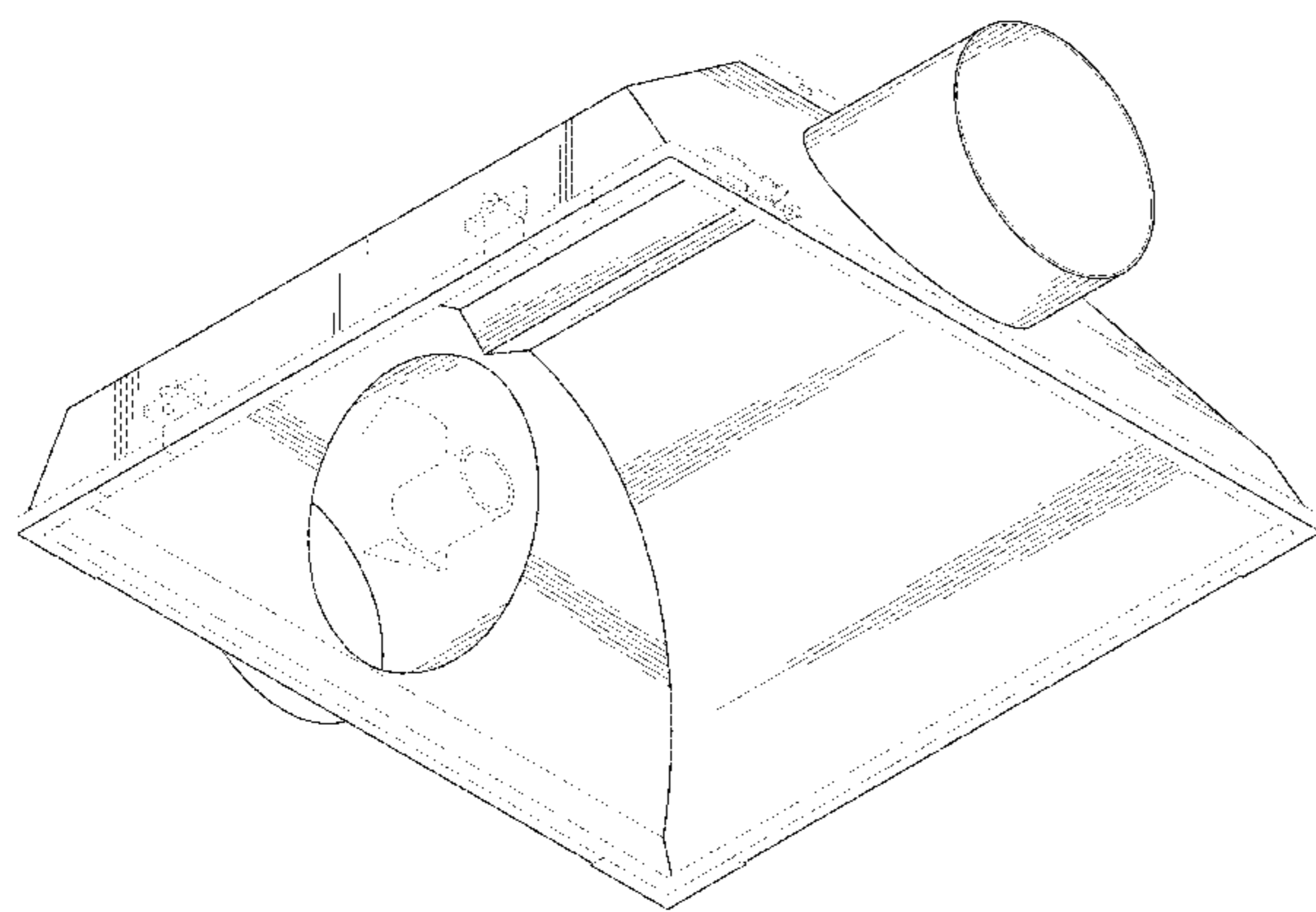
(57) **CLAIM**

The ornamental design for a horticulture grow light, as shown and described.

DESCRIPTION

FIG. 1 is a perspective view of a horticulture grow light, as viewed from below, showing my new design; FIG. 2 is a perspective view of the light shown in FIG. 1, as viewed from above; FIG. 3 is a left side view of the light shown in FIG. 1; FIG. 4 is a right side view of the light shown in FIG. 1; FIG. 5 is a front elevation view of the light shown in FIG. 1; FIG. 6 is a rear elevation view of the light shown in FIG. 1; FIG. 7 is a top plan view of the light shown in FIG. 1; and, FIG. 8 is a bottom plan view of the light shown in FIG. 1. The broken-line disclosure shown in the views is understood to represent portions of the article in which the claimed design is embodied, but which form no part of the claimed design.

1 Claim, 7 Drawing Sheets



(56)

References Cited

U.S. PATENT DOCUMENTS

D383,243	S *	9/1997	Fry	D26/118	D699,386	S *	2/2014	Park	D26/118
D405,976	S *	2/1999	Beall	D20/10	8,702,283	B2 *	4/2014	Bradley, Jr.	F21V 7/0025 362/218
D425,237	S *	5/2000	Scott	D26/118	D707,385	S *	6/2014	Wardenburg	D26/118
D428,516	S *	7/2000	Reo	D26/118	D707,873	S *	6/2014	Boyer	D26/74
6,152,579	A *	11/2000	Reed	F21V 7/10 362/297	D708,390	S *	7/2014	Roos	D26/138
6,247,830	B1 *	6/2001	Winnett	F21V 29/02 313/11	8,801,235	B2 *	8/2014	Yurich	F21S 8/061 362/296.09
6,257,735	B1 *	7/2001	Baar	F21S 2/00 362/217.05	D713,953	S *	9/2014	Jepson	D23/388
D452,559	S *	12/2001	Schonberger	D23/406	D714,988	S *	10/2014	Park	D26/74
D456,927	S *	5/2002	Russello	D26/85	D715,994	S *	10/2014	Klus	D26/141
D456,928	S *	5/2002	Russello	D26/85	D720,488	S *	12/2014	Toyohisa	D26/74
6,527,422	B1 *	3/2003	Hutchison	F21S 48/328 362/290	D720,876	S *	1/2015	Haverfield	D26/128
D486,593	S *	2/2004	Griffin	D26/28	D725,820	S *	3/2015	Hargreaves	D26/138
D504,343	S *	4/2005	Ek	D10/92	D726,359	S *	4/2015	Grigore	D26/74
7,011,424	B1 *	3/2006	Poulson	F21S 13/00 362/161	9,016,892	B1 *	4/2015	Scribante	F21V 17/002 362/222
D543,652	S *	5/2007	Hargreaves	D26/118	D729,435	S *	5/2015	Arndt	D26/118
D544,138	S *	6/2007	Hargreaves	D26/118	D730,556	S *	5/2015	Toyohisa	D26/74
D544,987	S *	6/2007	Hargreaves	D26/88	D731,103	S *	6/2015	Wilke	D26/72
D545,460	S *	6/2007	Mason, II	D12/317	D731,701	S *	6/2015	Hargreaves	D26/118
D545,484	S *	6/2007	Hargreaves	D26/118	D732,233	S *	6/2015	Reynolds	D26/118
D545,485	S *	6/2007	Hargreaves	D26/118	D732,235	S *	6/2015	Reynolds	D26/118
D545,996	S *	7/2007	Hargreaves	D26/118	D732,236	S *	6/2015	Reynolds	D26/118
D605,342	S *	12/2009	Chung	D26/118	D733,347	S *	6/2015	Dungan	D26/76
D614,801	S *	4/2010	Collins	D26/118	D733,952	S *	7/2015	Lay	D26/75
7,722,228	B2 *	5/2010	Broer	A01G 9/26 362/264	D733,960	S *	7/2015	Howe	D26/122
D620,190	S *	7/2010	Chung	D26/122	D734,534	S *	7/2015	Howe	D26/122
D634,060	S *	3/2011	Wardenburg	D26/118	D735,391	S *	7/2015	Blessitt	D26/74
D634,468	S *	3/2011	Hargreaves	D26/118	D735,401	S *	7/2015	Clements	D26/120
D634,469	S *	3/2011	Hargreaves	D26/118	D736,450	S *	8/2015	Reynolds	D26/118
D637,341	S *	5/2011	Wardenburg	D26/118	2002/0141195	A1 *	10/2002	Peter	A01G 7/045 362/362
D637,752	S *	5/2011	Mekhtarian	D26/72	2003/0031011	A1 *	2/2003	Miller	E04B 9/32 362/150
D650,515	S *	12/2011	Bradley, Jr.	D26/118	2008/0205030	A1 *	8/2008	Hargreaves	F21V 23/026 362/1
8,113,696	B2 *	2/2012	Striebel	F21S 2/005 362/152	2009/0262540	A1 *	10/2009	Hargreaves	A01G 9/26 362/362
D661,833	S *	6/2012	Imajo	D26/118	2009/0310373	A1 *	12/2009	Burkhauser	A01G 9/26 362/373
D668,370	S *	10/2012	Guercio	D26/71	2010/0277908	A1 *	11/2010	Hu	F21S 4/008 362/235
D672,908	S *	12/2012	Wilcox	D26/118	2013/0242573	A1 *	9/2013	Petrsoiki	F21V 15/01 362/373
D675,772	S *	2/2013	Tran	D26/120	2014/0378283	A1 *	12/2014	Qiu	A63B 26/00 482/142
D693,959	S *	11/2013	Boyer	D26/118	2015/0023022	A1 *	1/2015	Stanley	A01G 7/045 362/294
D698,075	S *	1/2014	Klus	D26/138					
D698,986	S *	2/2014	Reynolds	D26/118					
D698,987	S *	2/2014	Stanley	D26/118					

* cited by examiner

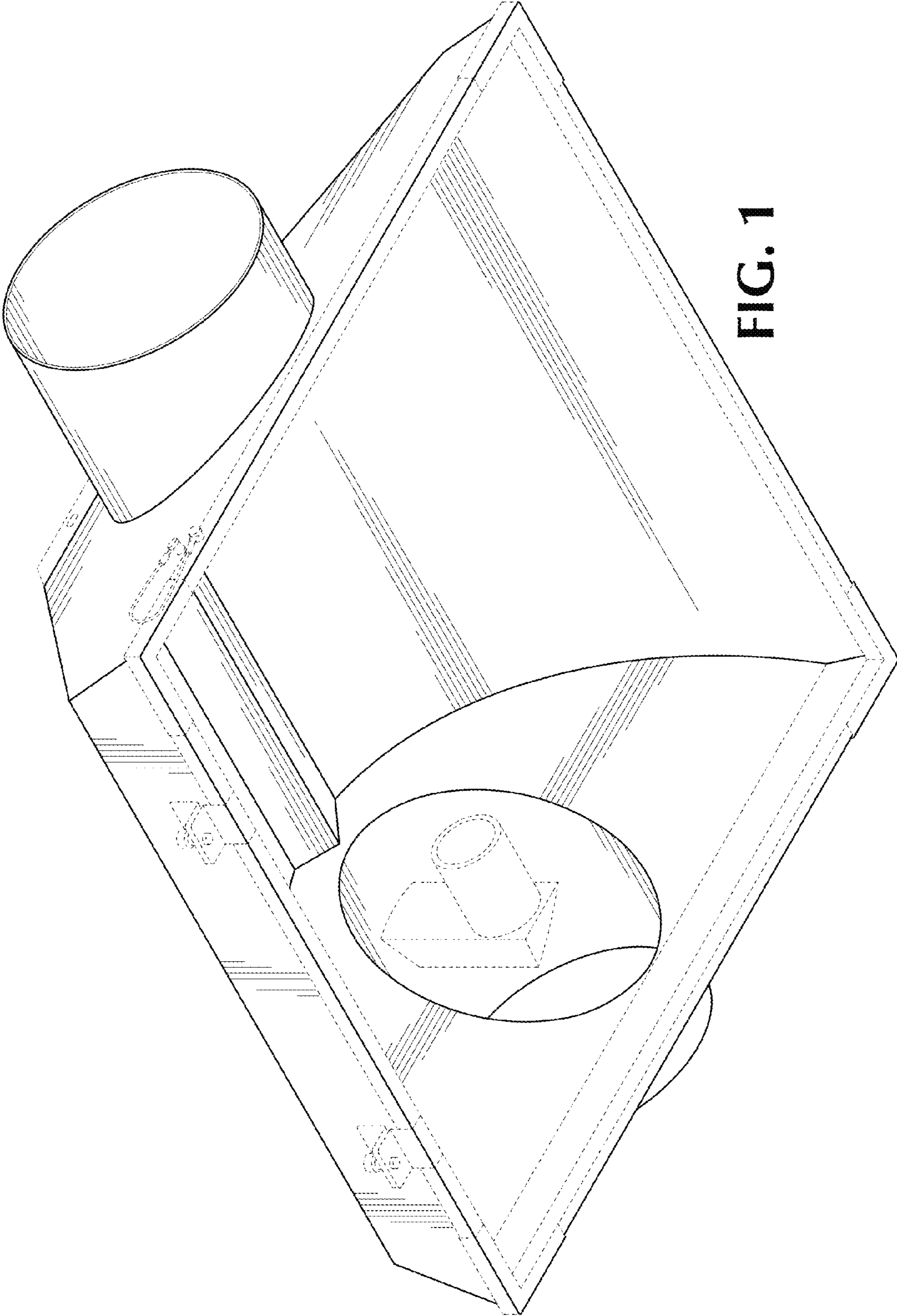


FIG. 1

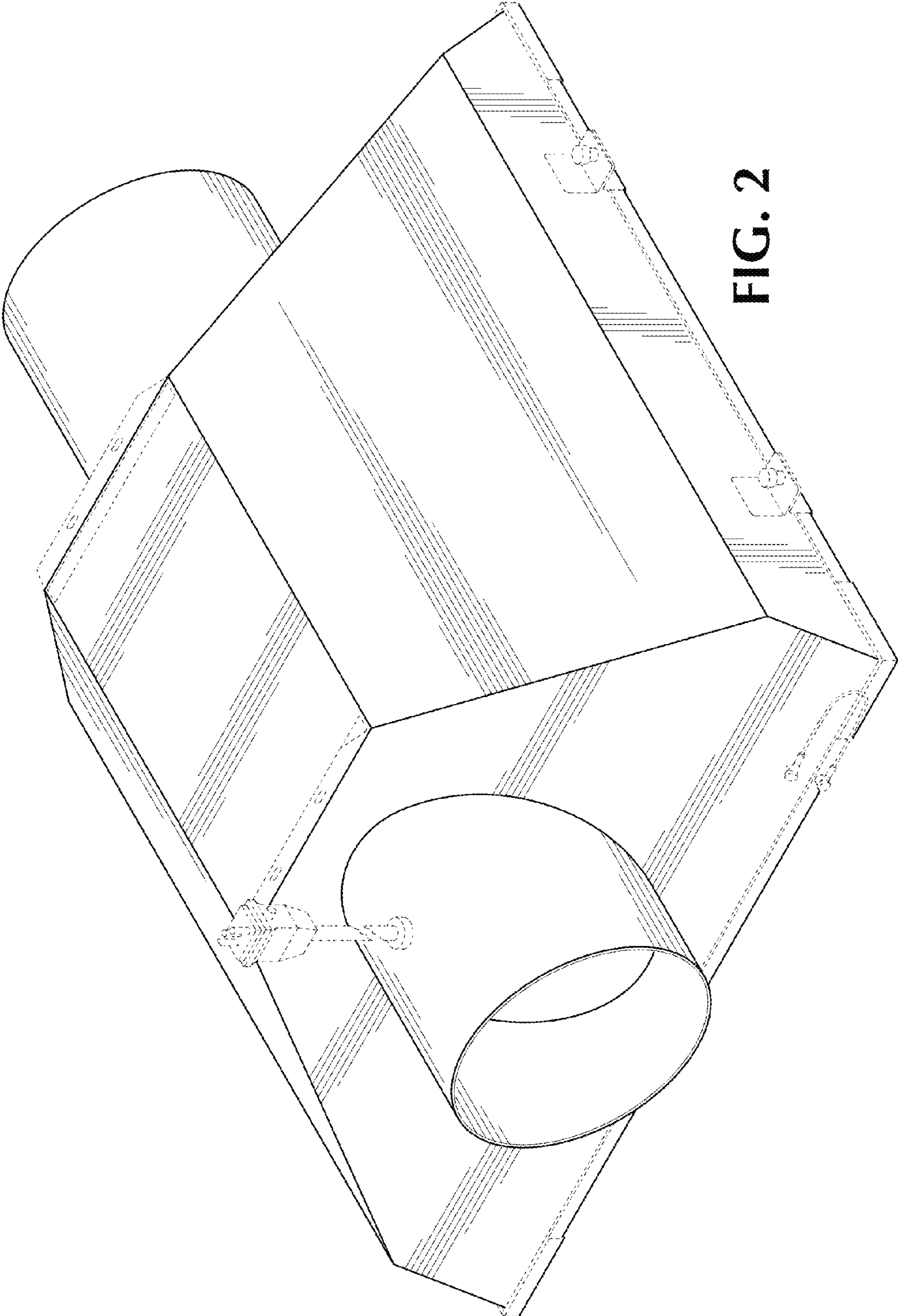


FIG. 2

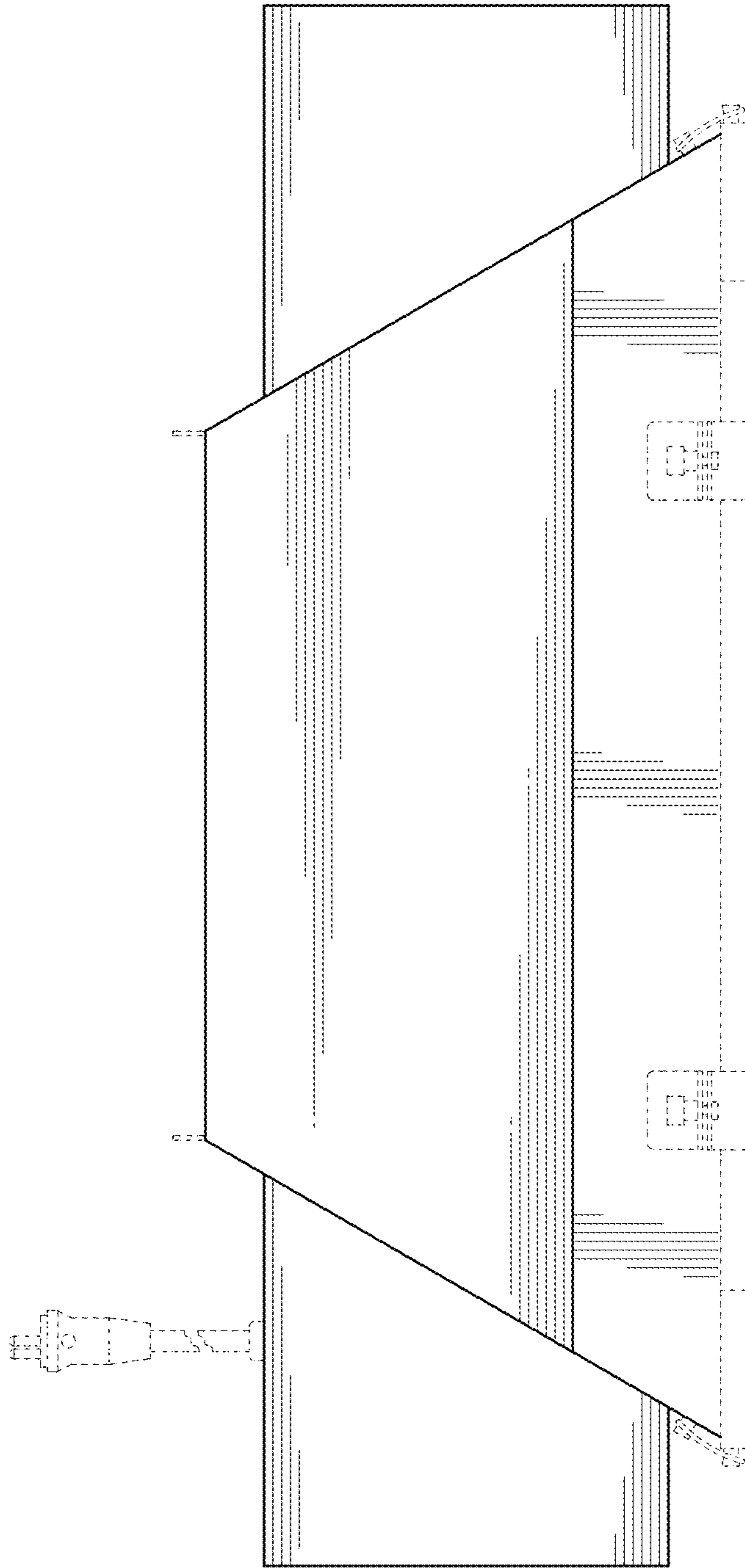


FIG. 3

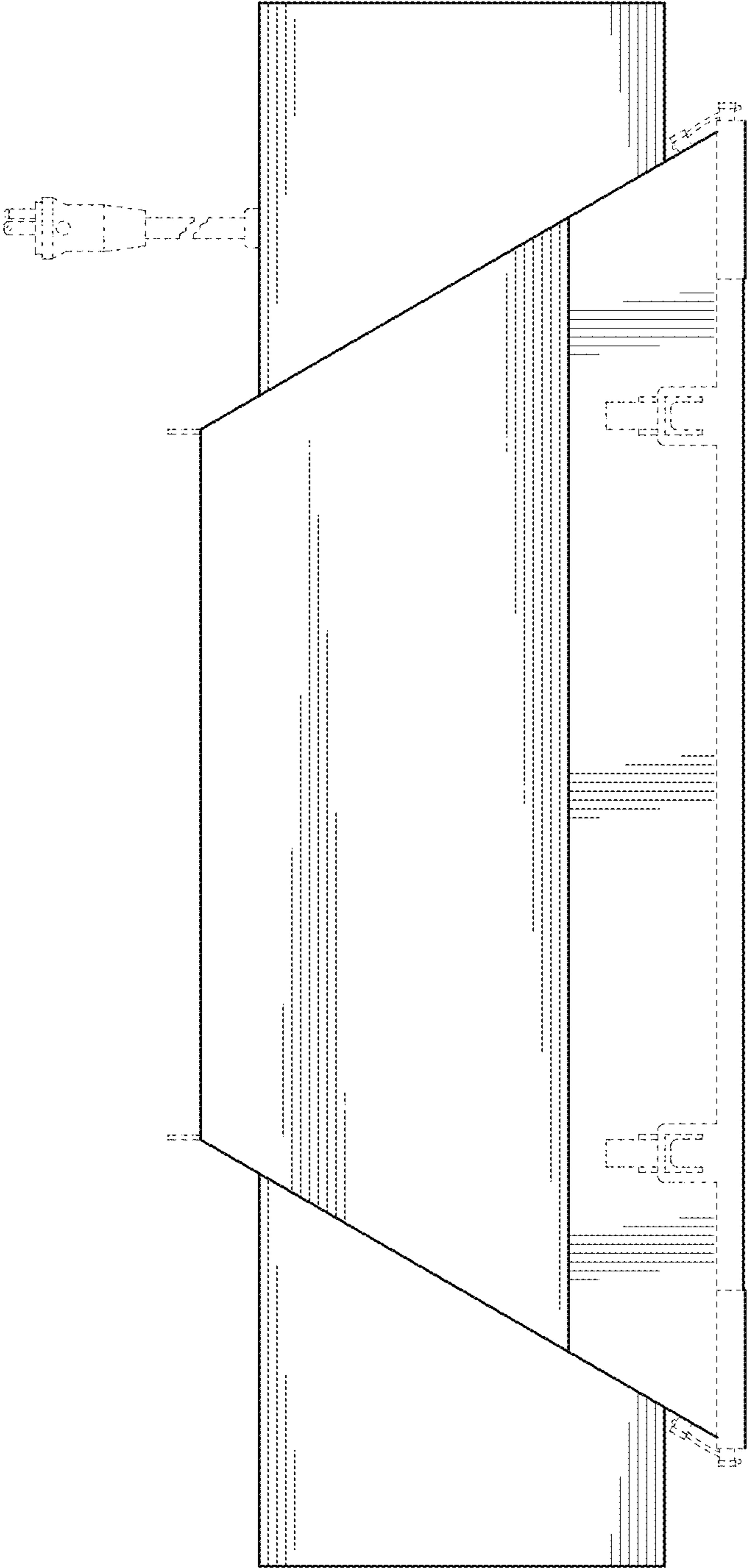


FIG. 4

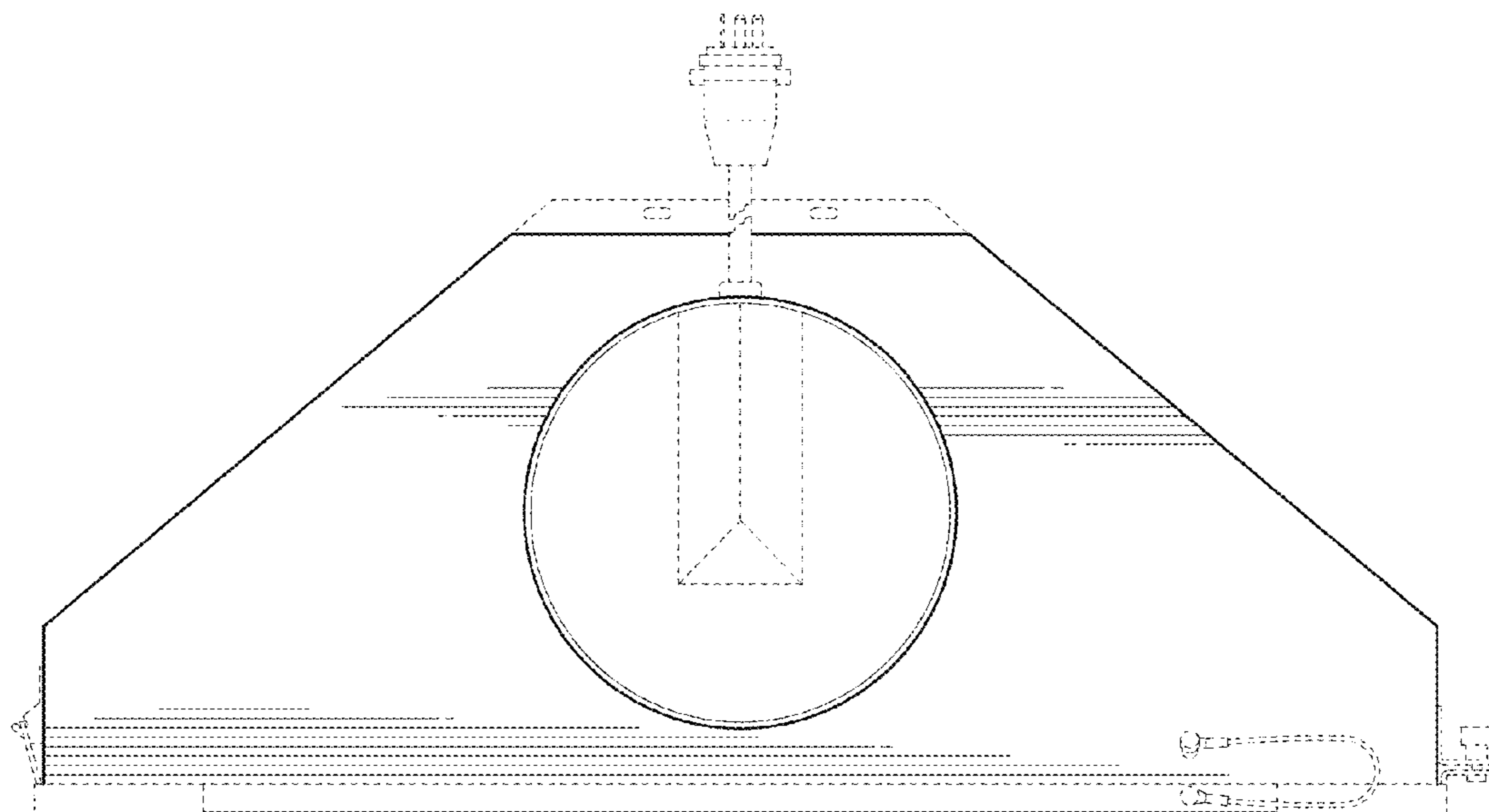


FIG. 5

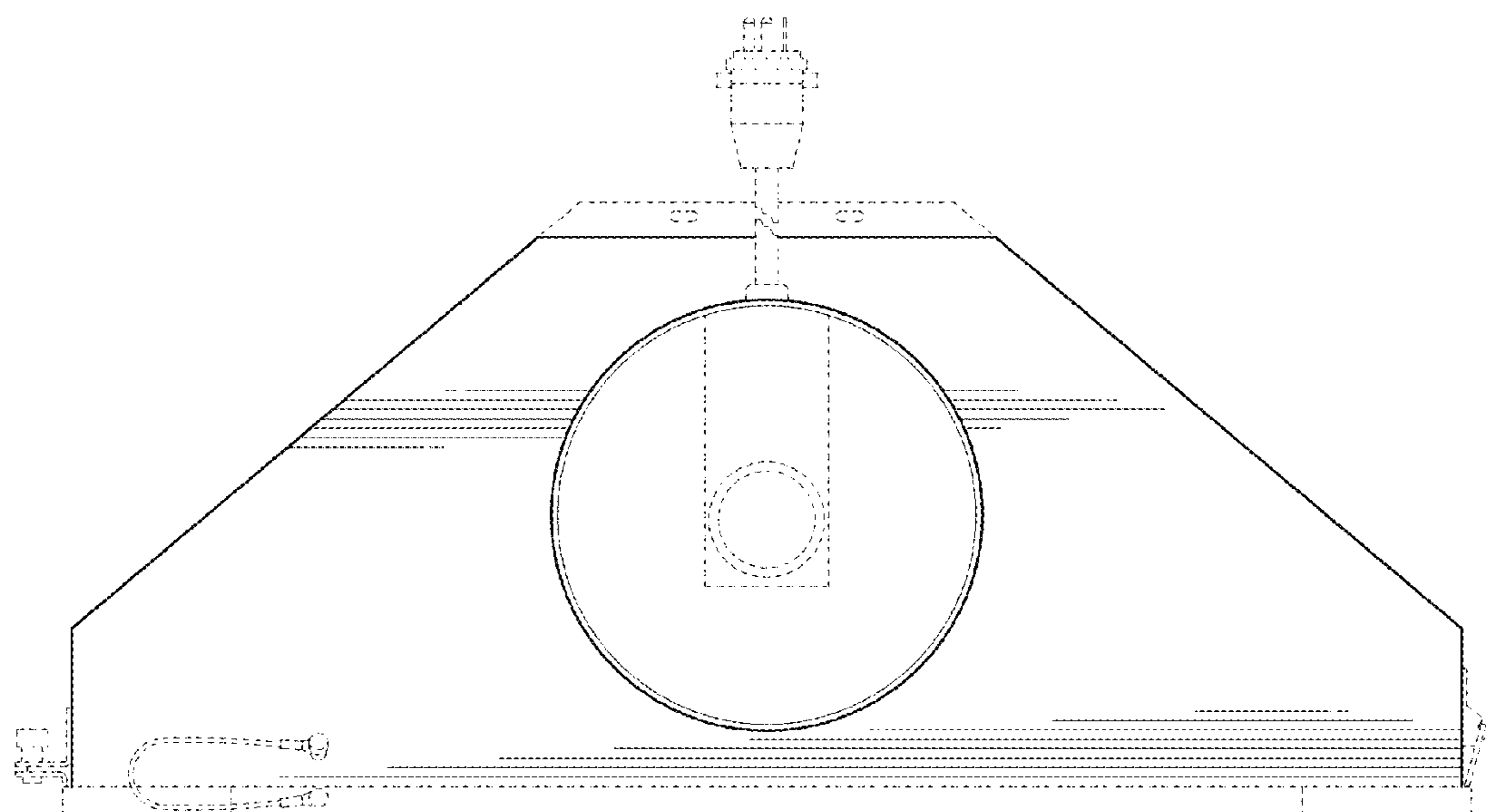


FIG. 6

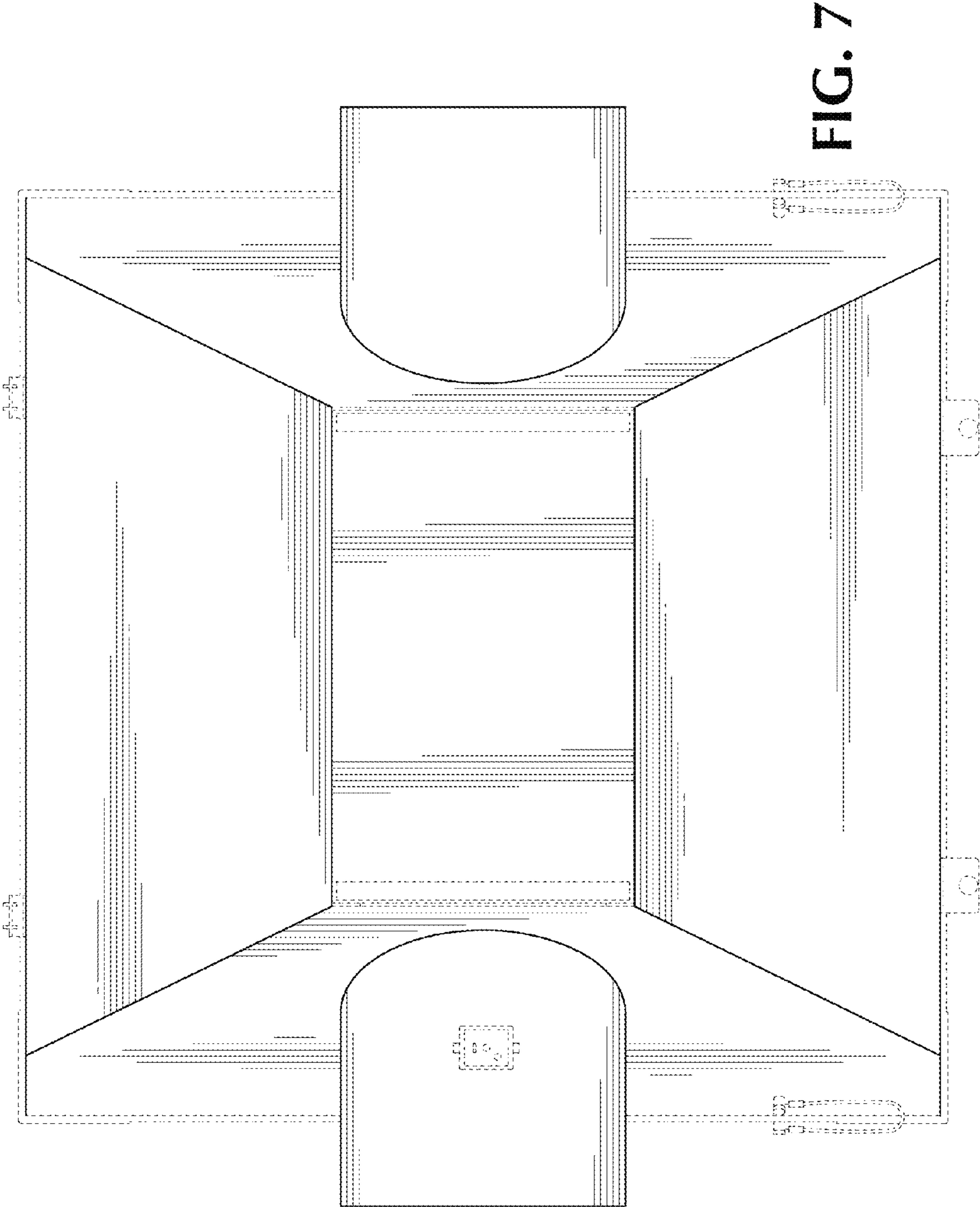


FIG. 7

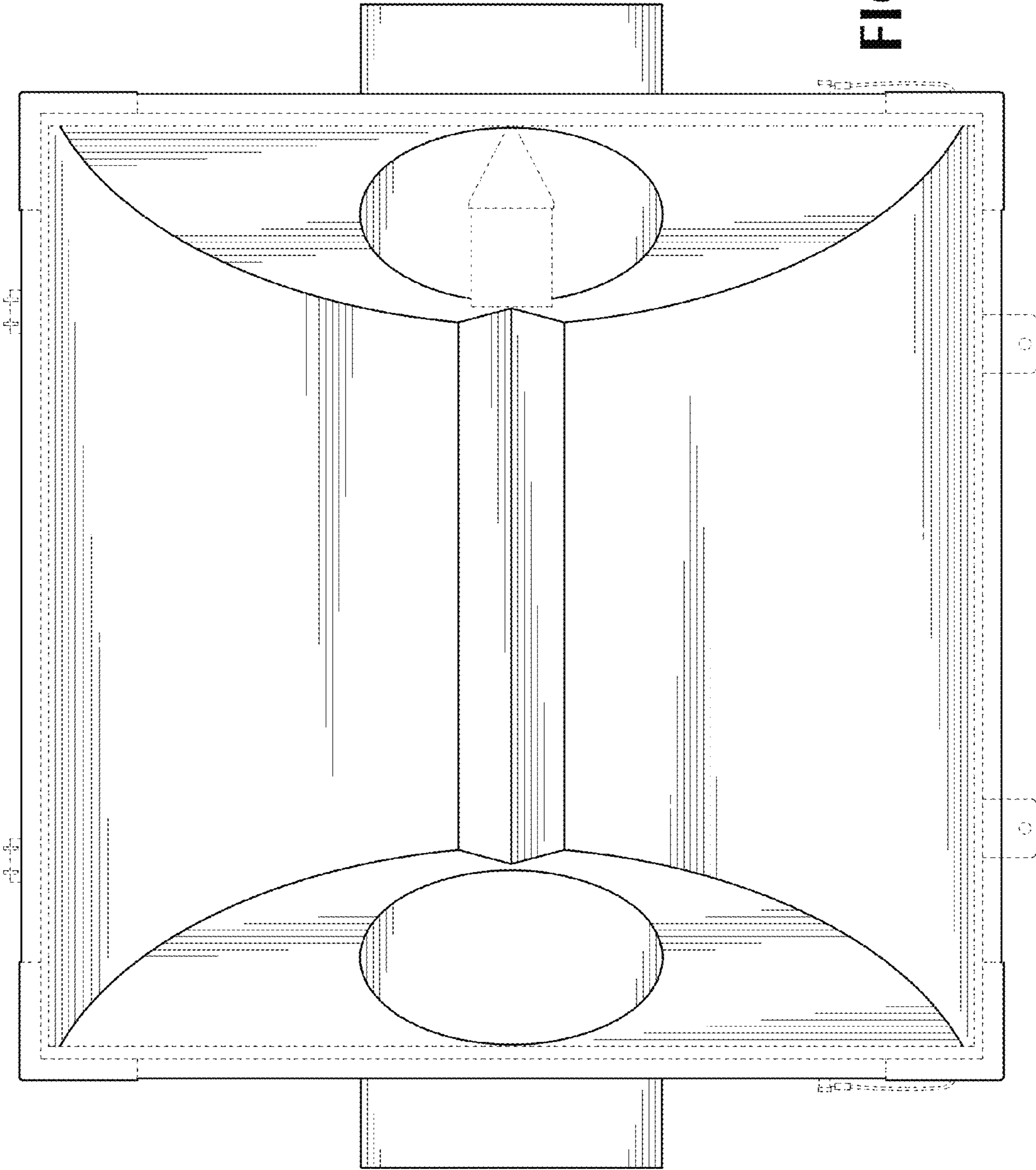


FIG. 8