



US00D747027S

(12) **United States Design Patent**
Smith

(10) **Patent No.:** **US D747,027 S**
(45) **Date of Patent:** **** Jan. 5, 2016**

(54) **LED CANDLE**

Primary Examiner — Brian N Vinson

(71) Applicant: **Sherry Lynn Smith**, Monticello, KY
(US)

(57) **CLAIM**

The ornamental design for a LED candle, as shown and described.

(72) Inventor: **Sherry Lynn Smith**, Monticello, KY
(US)

(73) Assignee: **ONLY NATURE'S BEST, INC.**,
Monticello, KY (US)

DESCRIPTION

(**) Term: **15 Years**

FIG. 1 is an isometric view of a first embodiment of a LED candle showing may new design;

(21) Appl. No.: **29/527,841**

FIG. 2 is a front elevation view of the first embodiment thereof;

(22) Filed: **May 22, 2015**

FIG. 3 is a rear elevation view of the first embodiment thereof;

(51) **LOC (10) Cl.** **26-03**

FIG. 4 is a left elevation view of the first embodiment thereof;

(52) **U.S. Cl.**

USPC **D26/96**

FIG. 5 is a right elevation view of the first embodiment thereof;

(58) **Field of Classification Search**

USPC D26/4, 5, 6, 7, 9, 22, 96

CPC F21S 6/00; F21S 6/001; F21S 10/04;

F21S 10/10; F21S 10/043; F21S 8/08; F21S

48/115; F21V 21/00; F21V 35/00; F21W

2121/00; C11C 5/002; C11C 5/004

See application file for complete search history.

FIG. 6 is a top plan view of the first embodiment thereof;

FIG. 7 is a bottom plan view of the first embodiment thereof;

FIG. 8 is an isometric view of a second embodiment of the LED candle;

FIG. 9 is a front elevation view of the second embodiment thereof;

FIG. 10 is a rear elevation view of the second embodiment thereof;

FIG. 11 is a left elevation view of the second embodiment thereof;

FIG. 12 is a right elevation view of the second embodiment thereof;

FIG. 13 is a top plan view of the second embodiment thereof; and,

FIG. 14 is a bottom plan view of the second embodiment thereof.

The broken lines shown in the drawings illustrate portions of the LED candle that form no part of the claimed design.

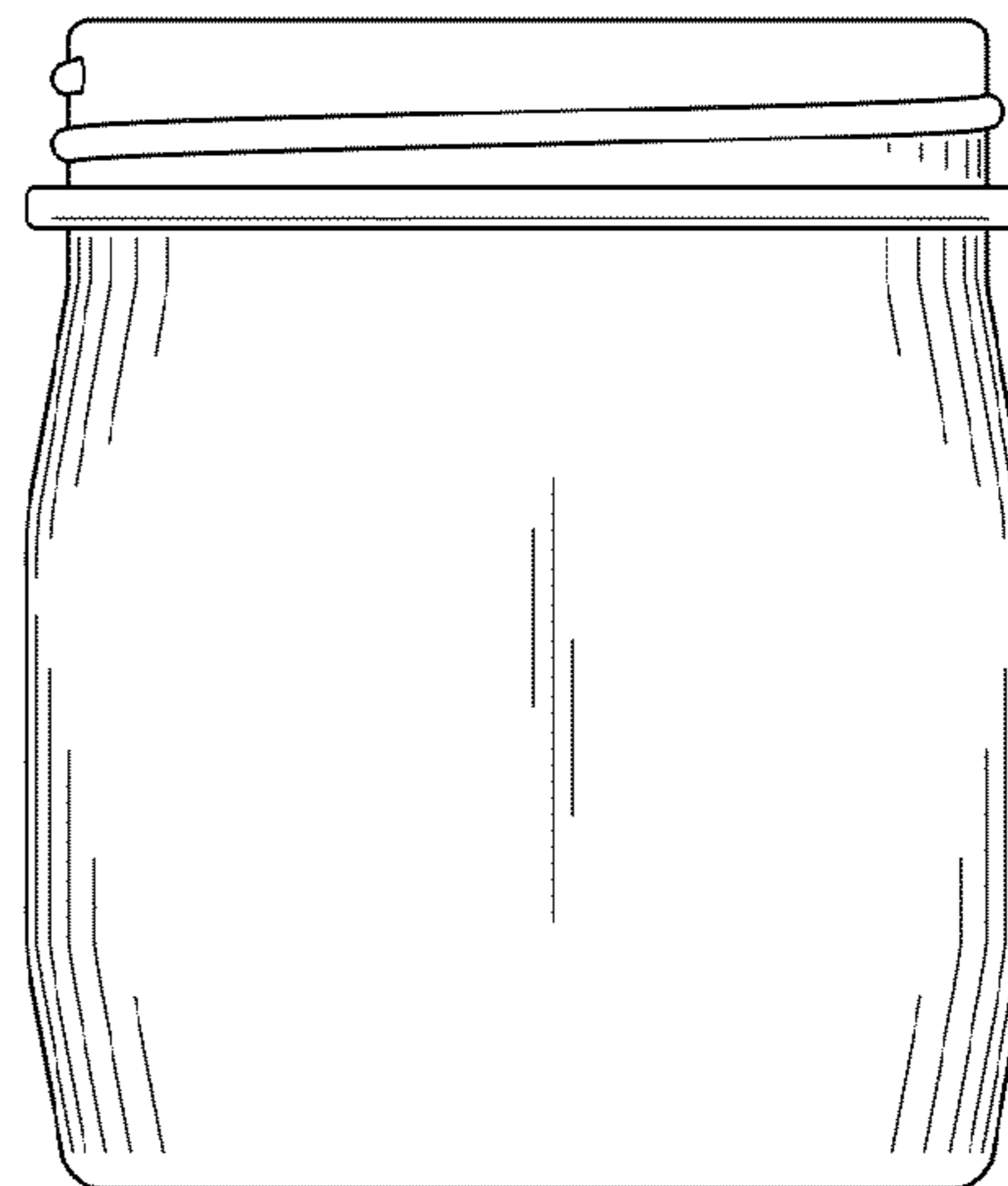
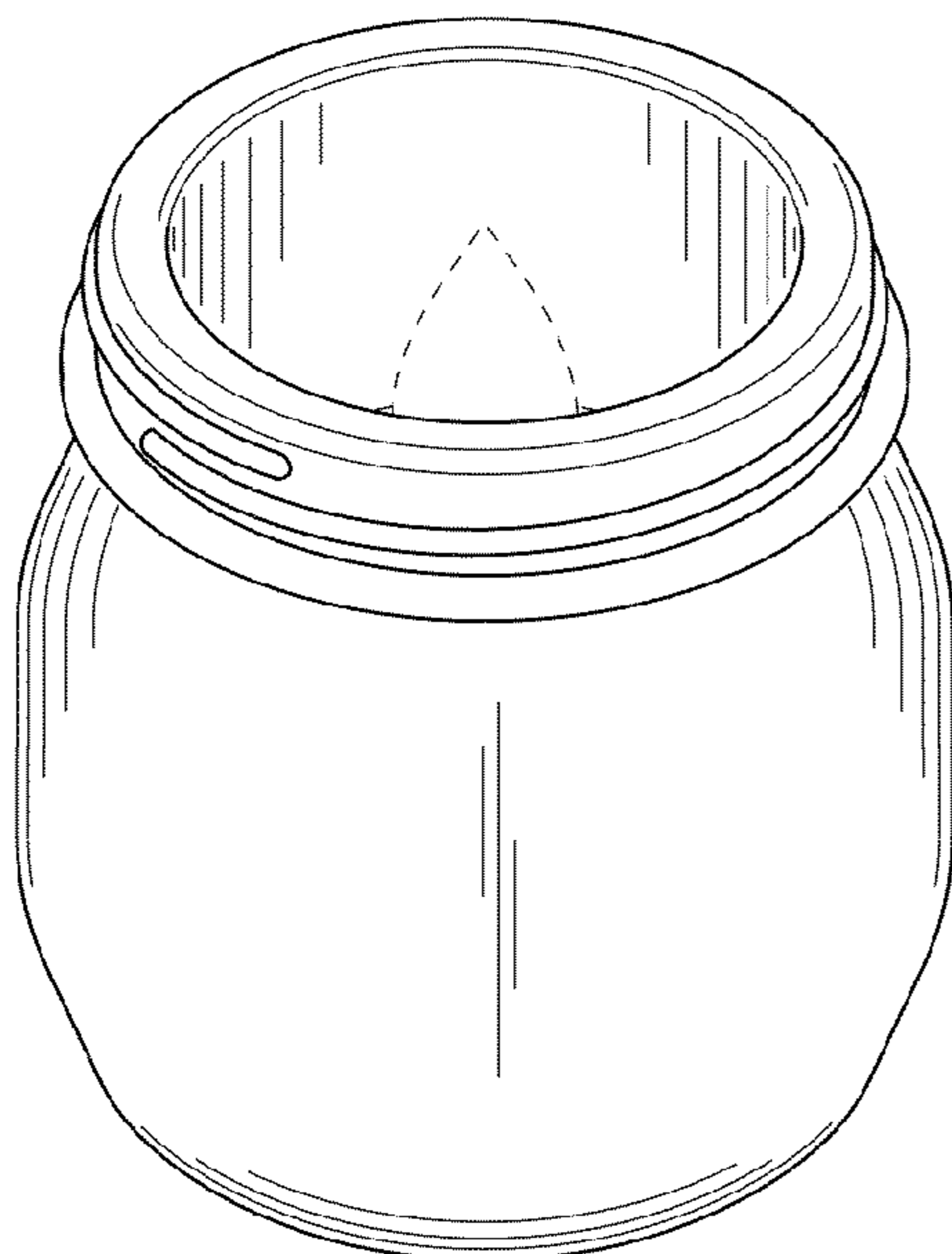
(56) **References Cited**

U.S. PATENT DOCUMENTS

D111,775 S *	10/1938	Seaver	D26/6
D426,004 S *	5/2000	Toscano	D26/7
D587,385 S *	2/2009	Davis	D26/7
D631,580 S *	1/2011	Franklin	D26/22
D682,448 S *	5/2013	Nugent	D26/22
D699,872 S *	2/2014	Karpowicz	D26/22

* cited by examiner

1 Claim, 4 Drawing Sheets



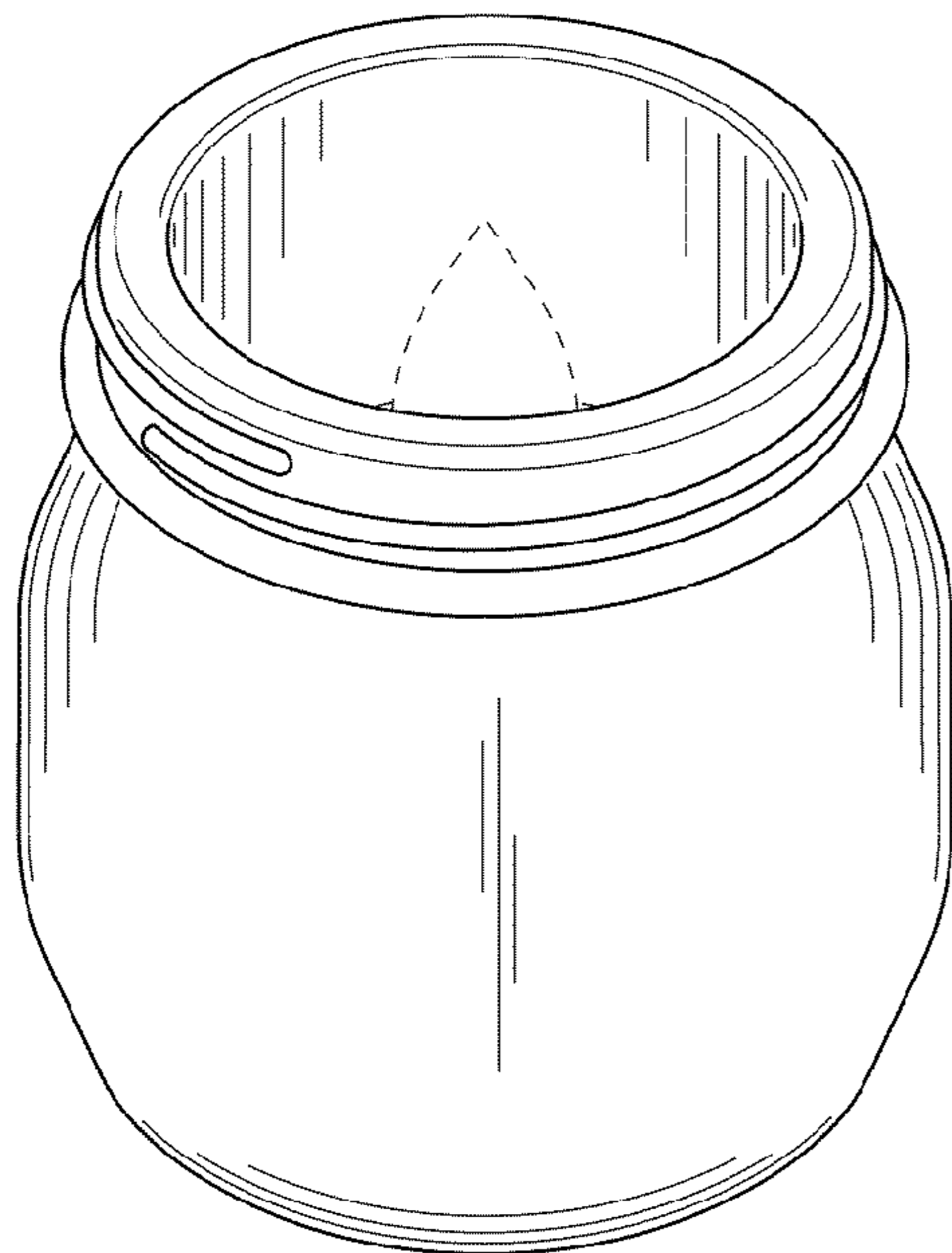


FIG. 1

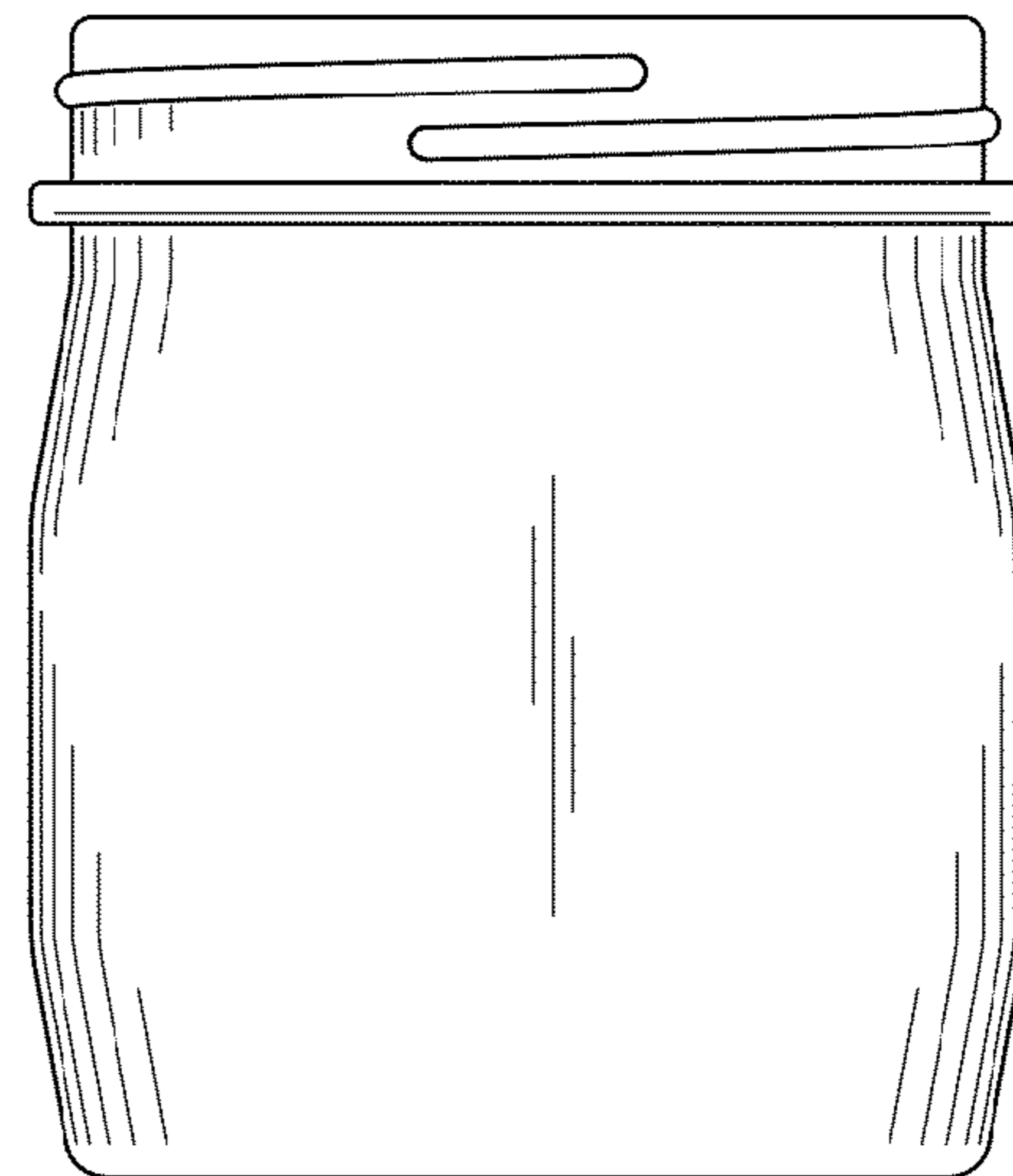


FIG. 2

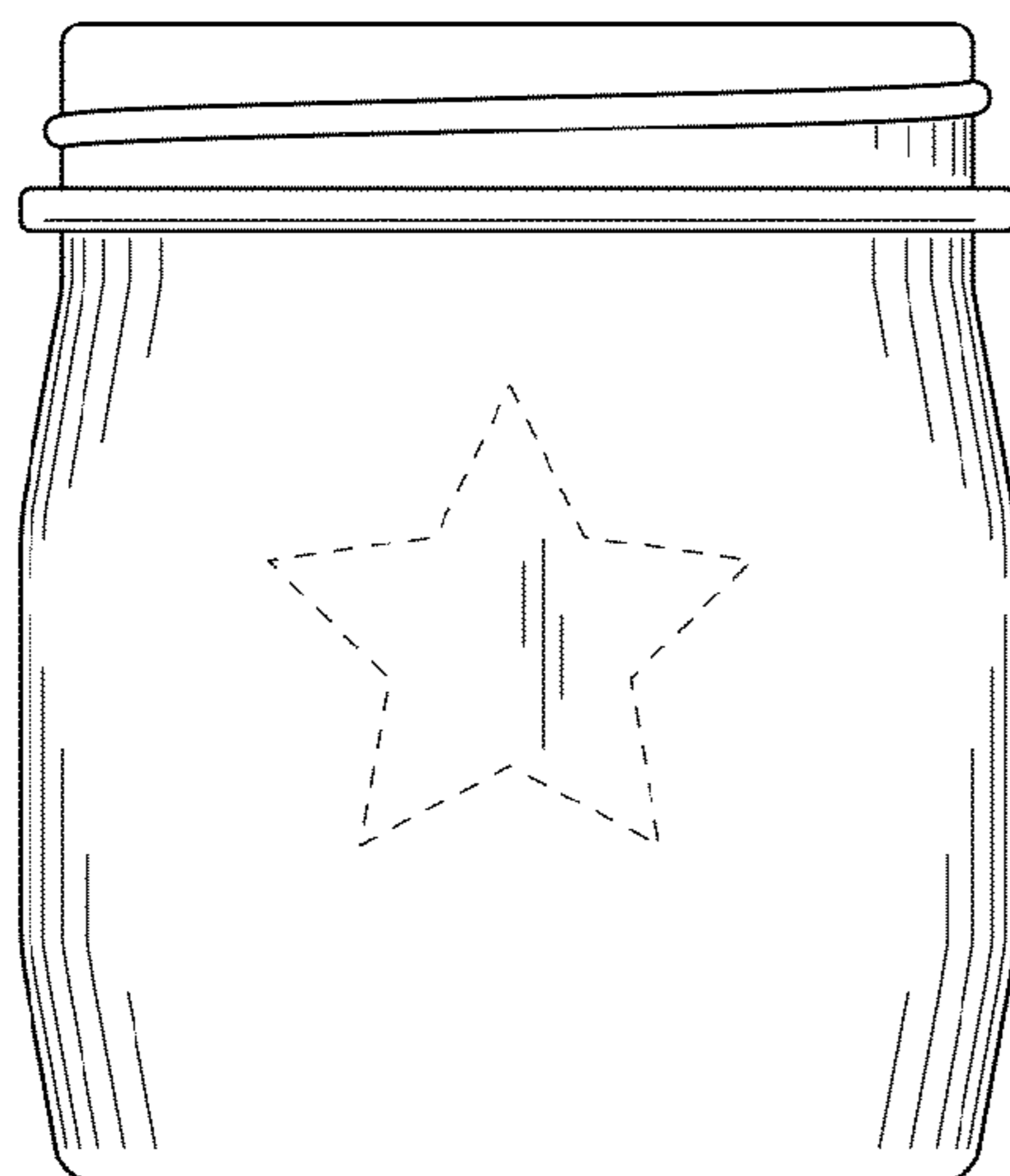


FIG. 3

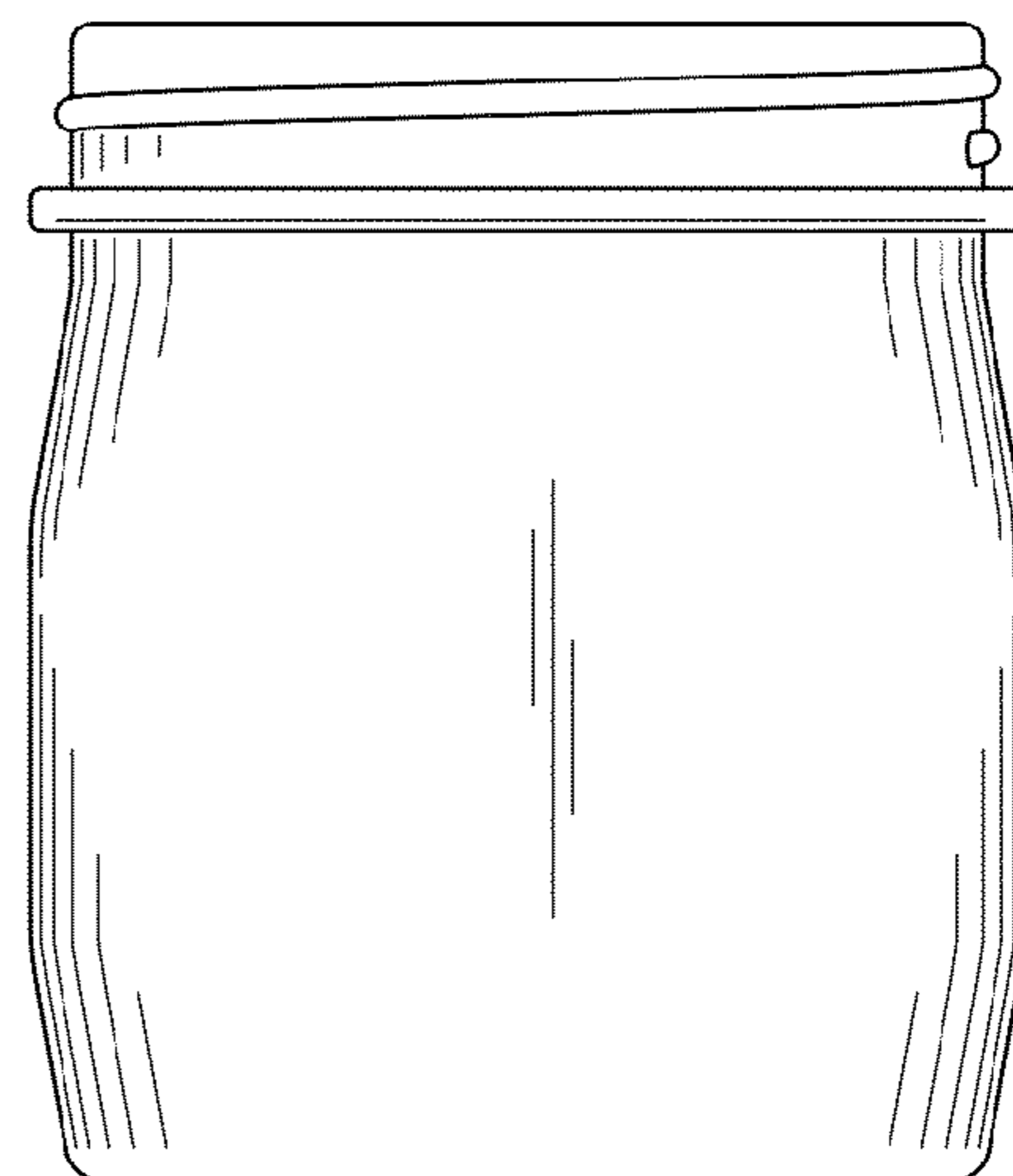


FIG. 4

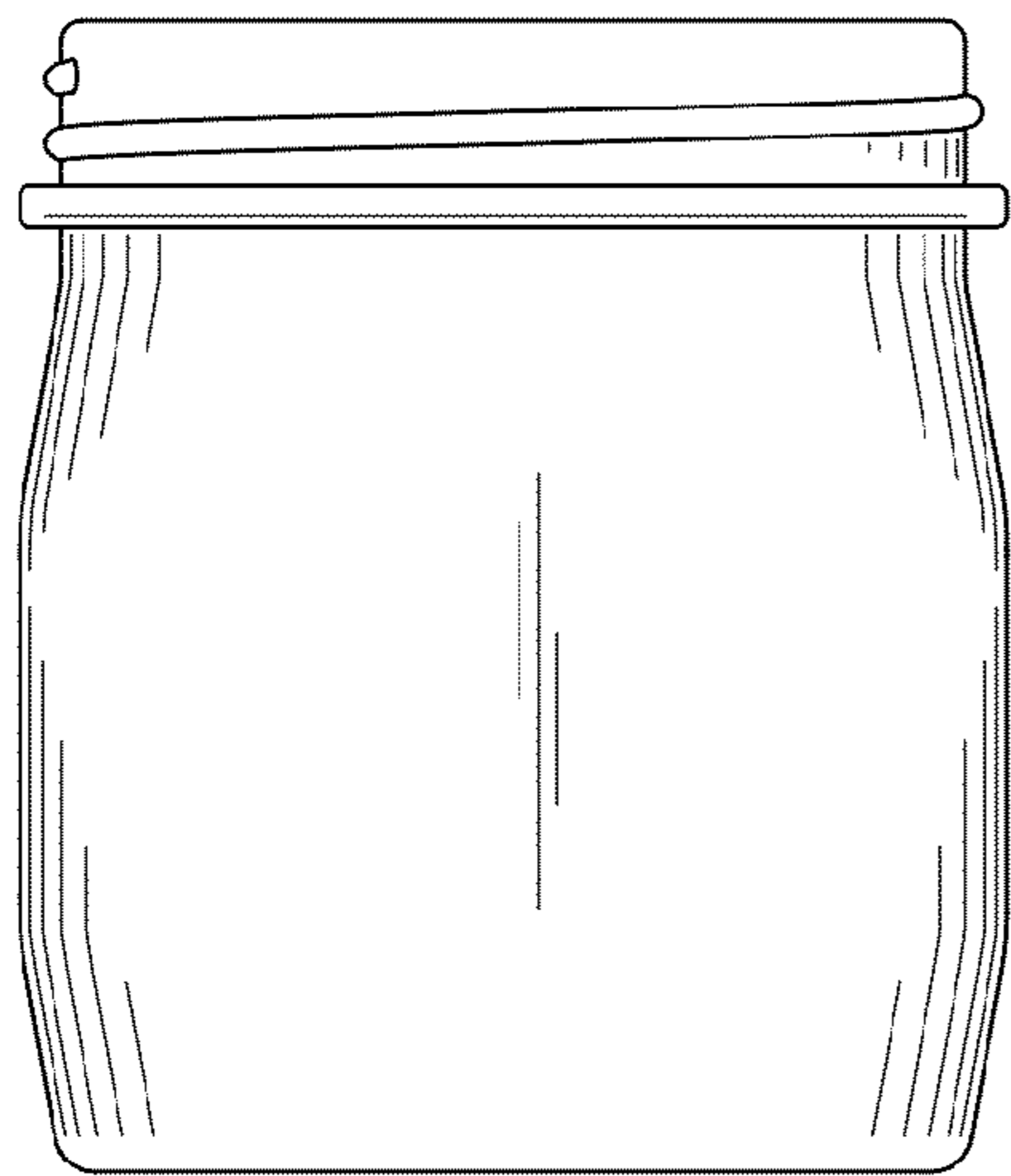


FIG. 5

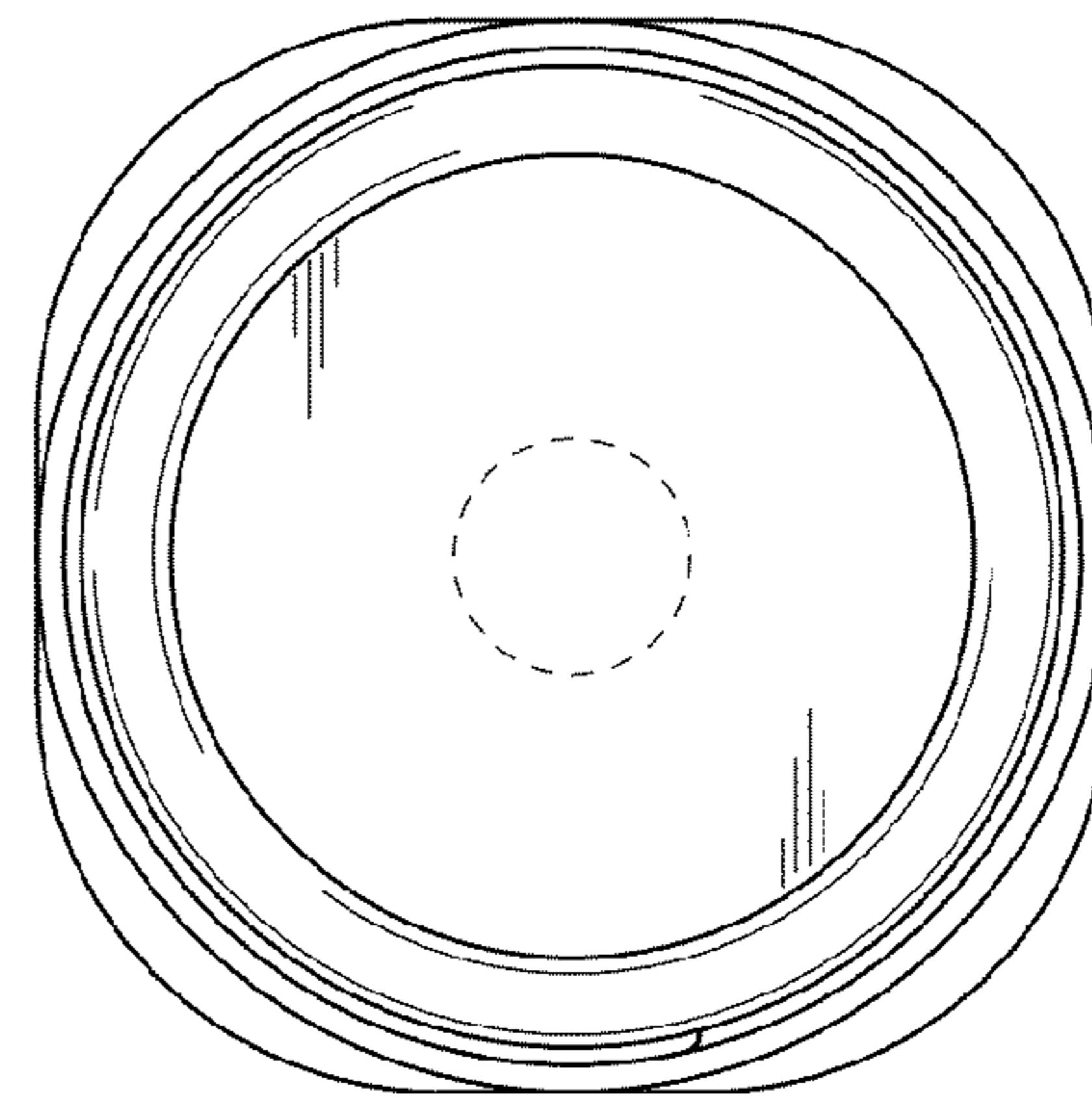


FIG. 6

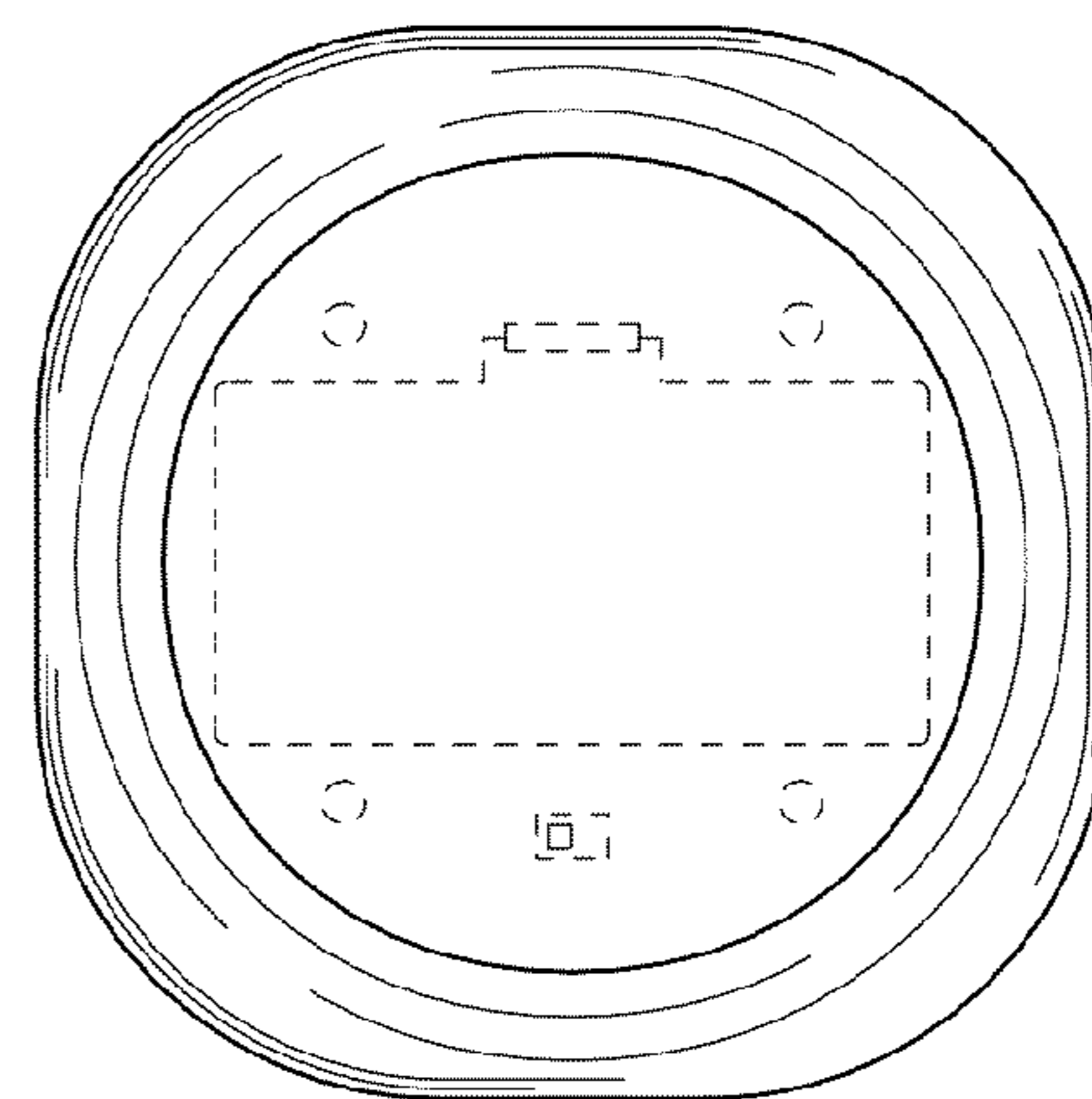


FIG. 7

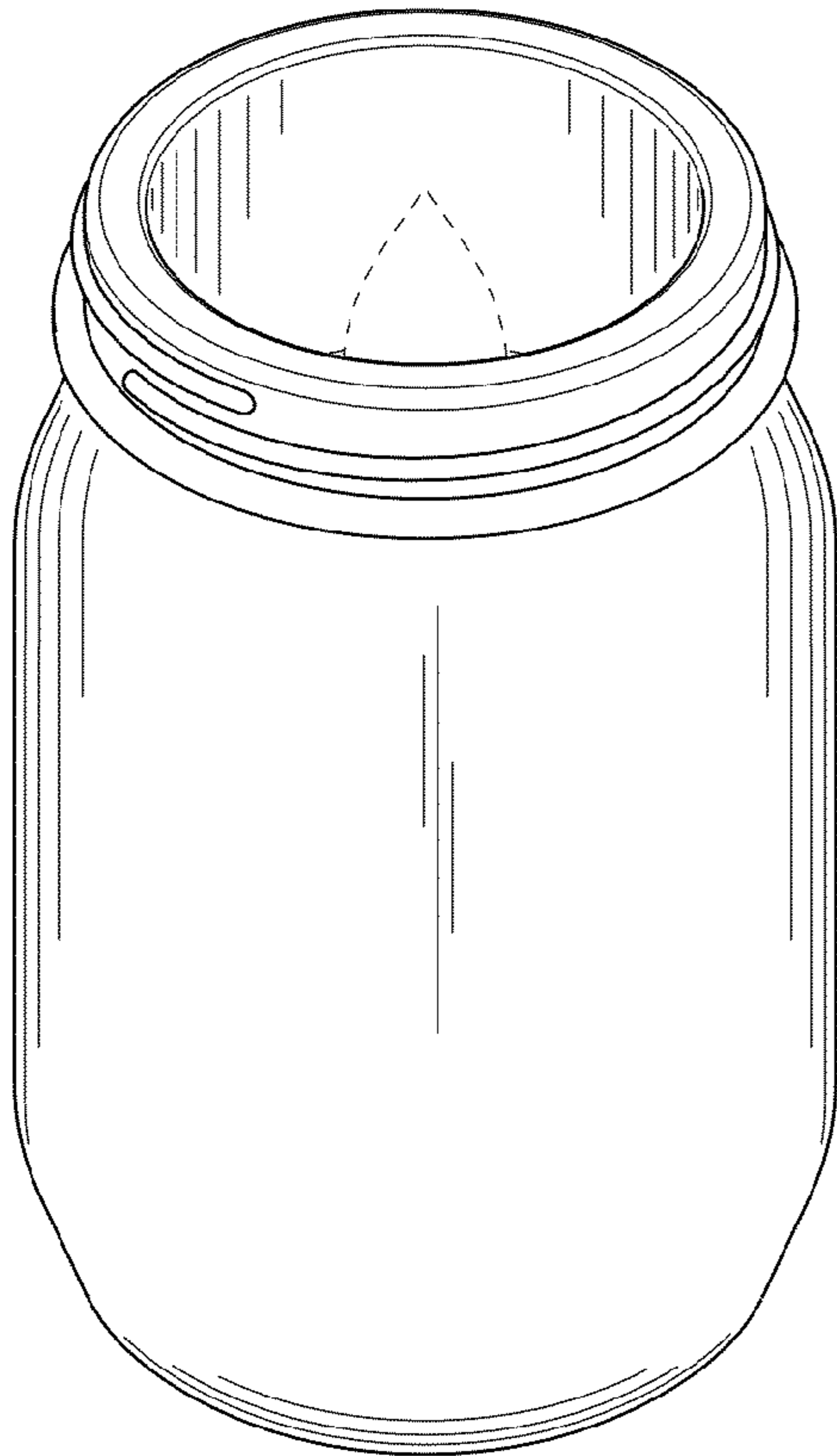


FIG. 8

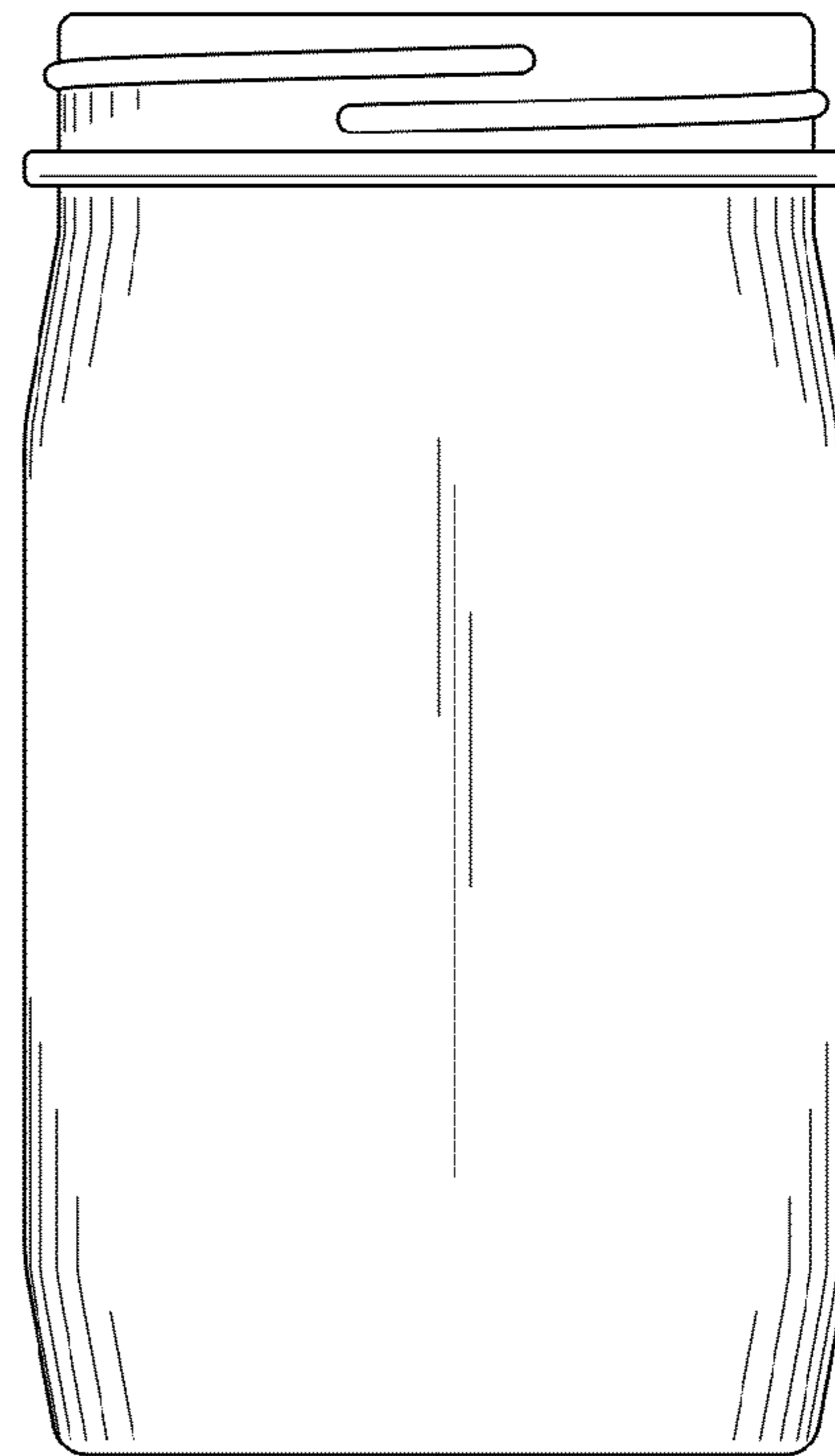


FIG. 9

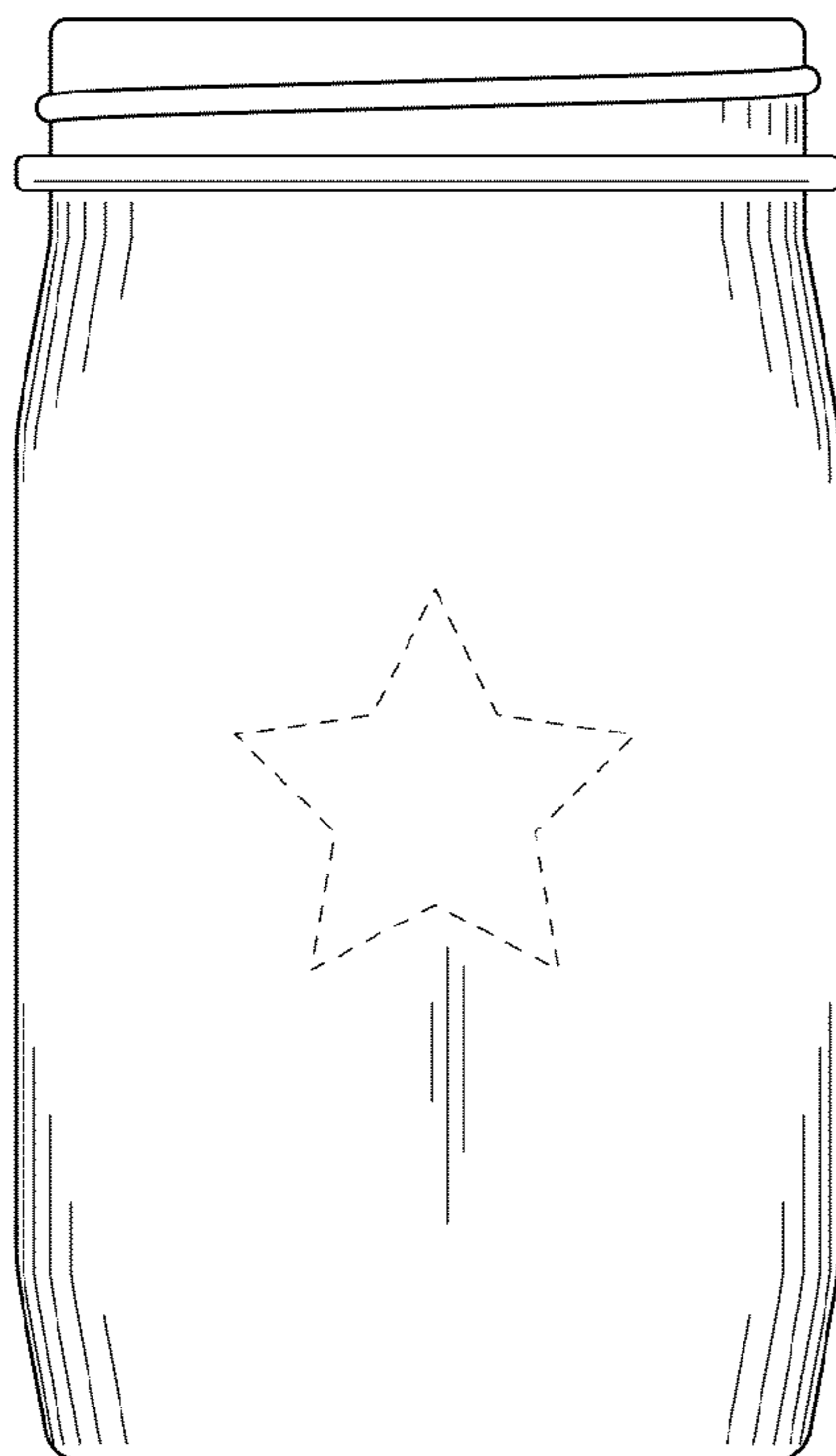


FIG. 10

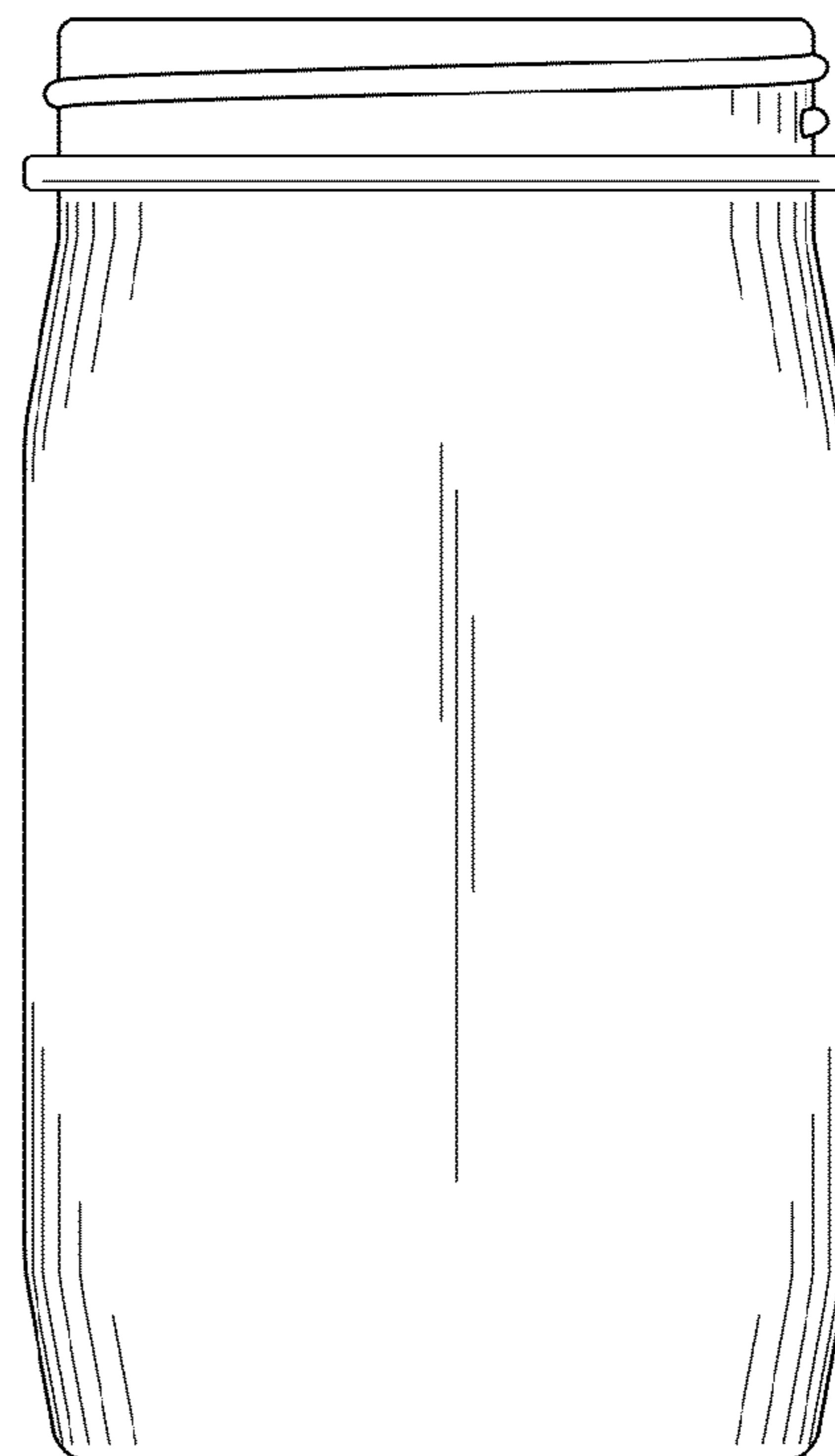


FIG. 11

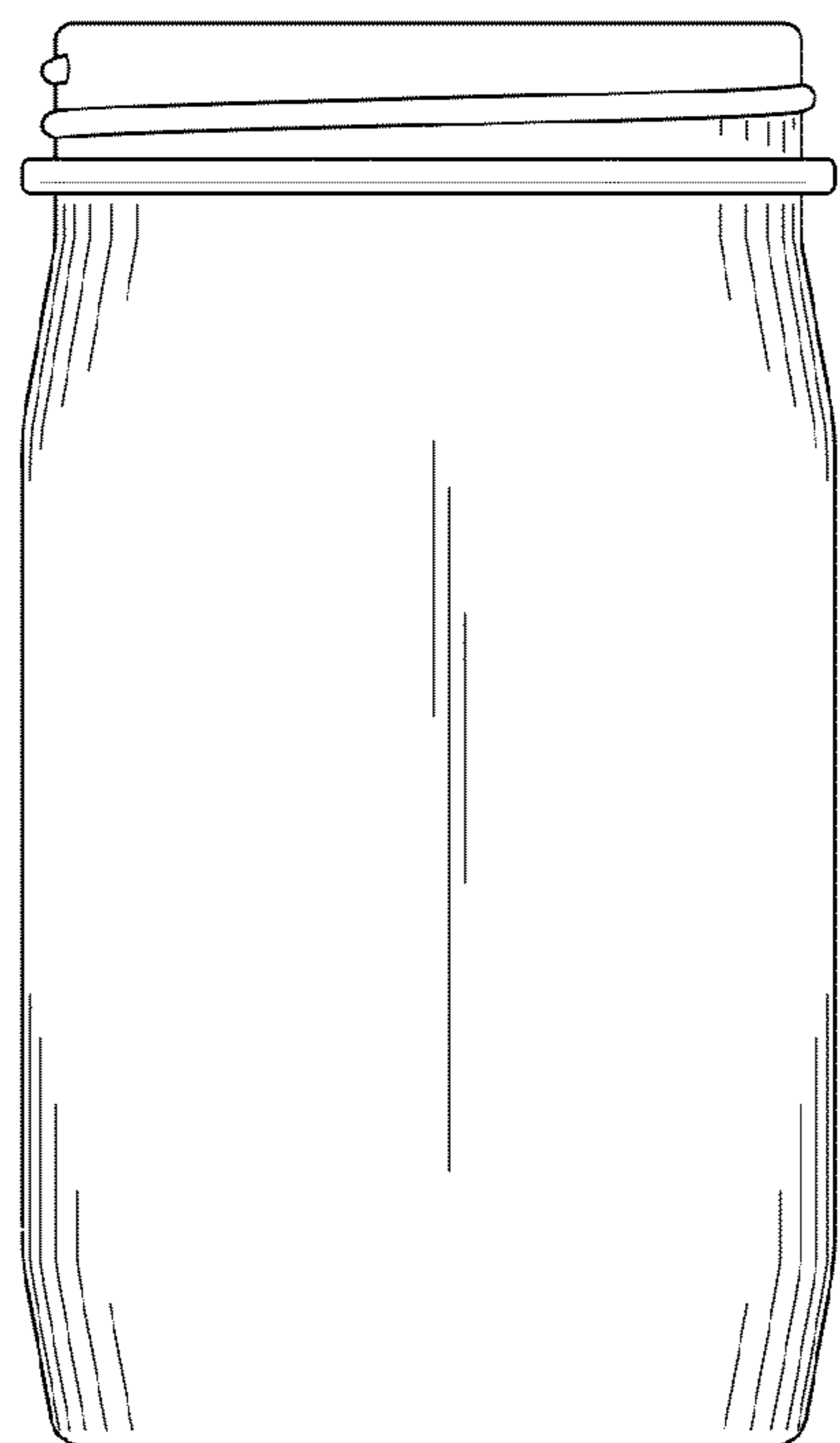


FIG. 12

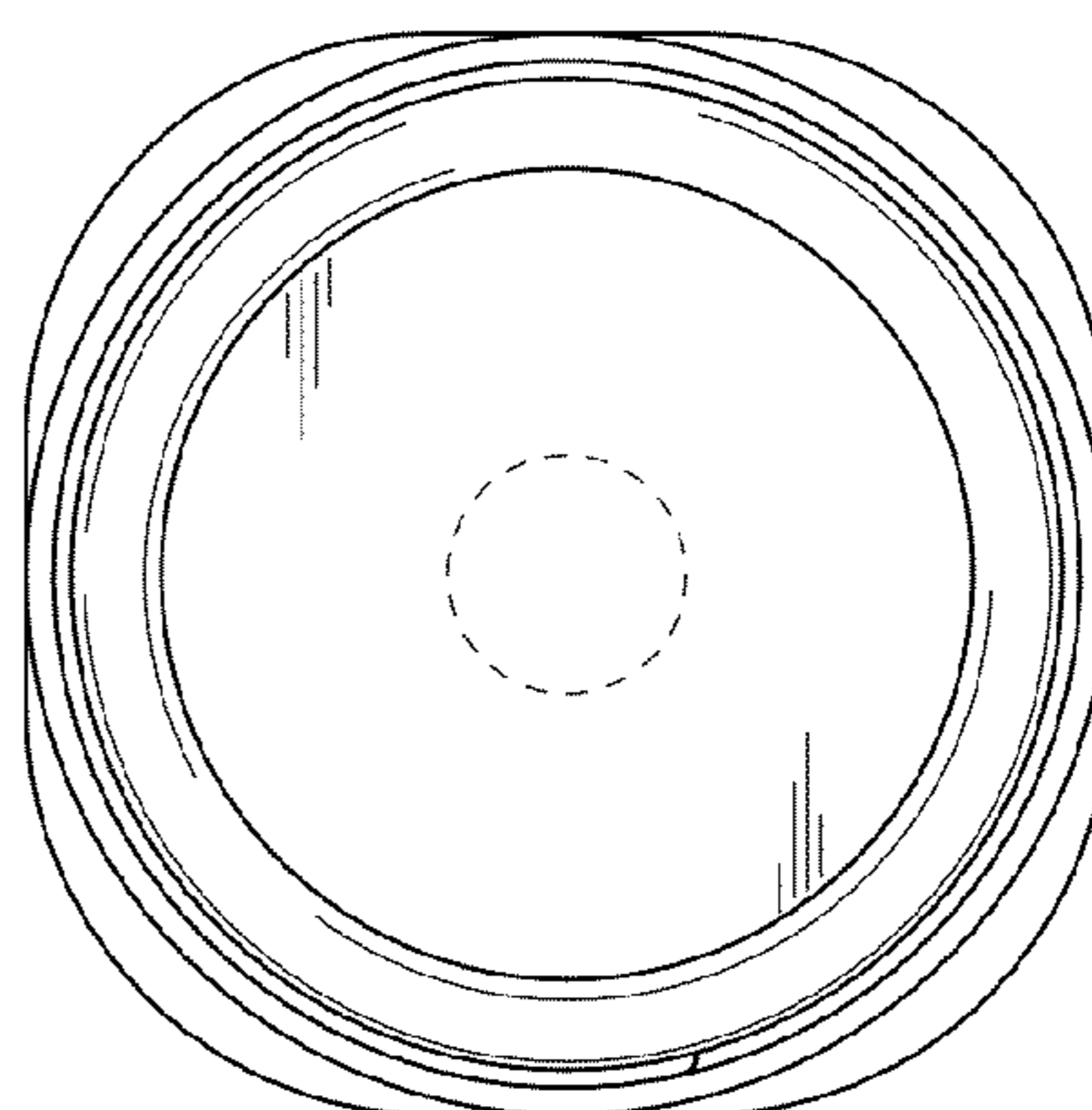


FIG. 13

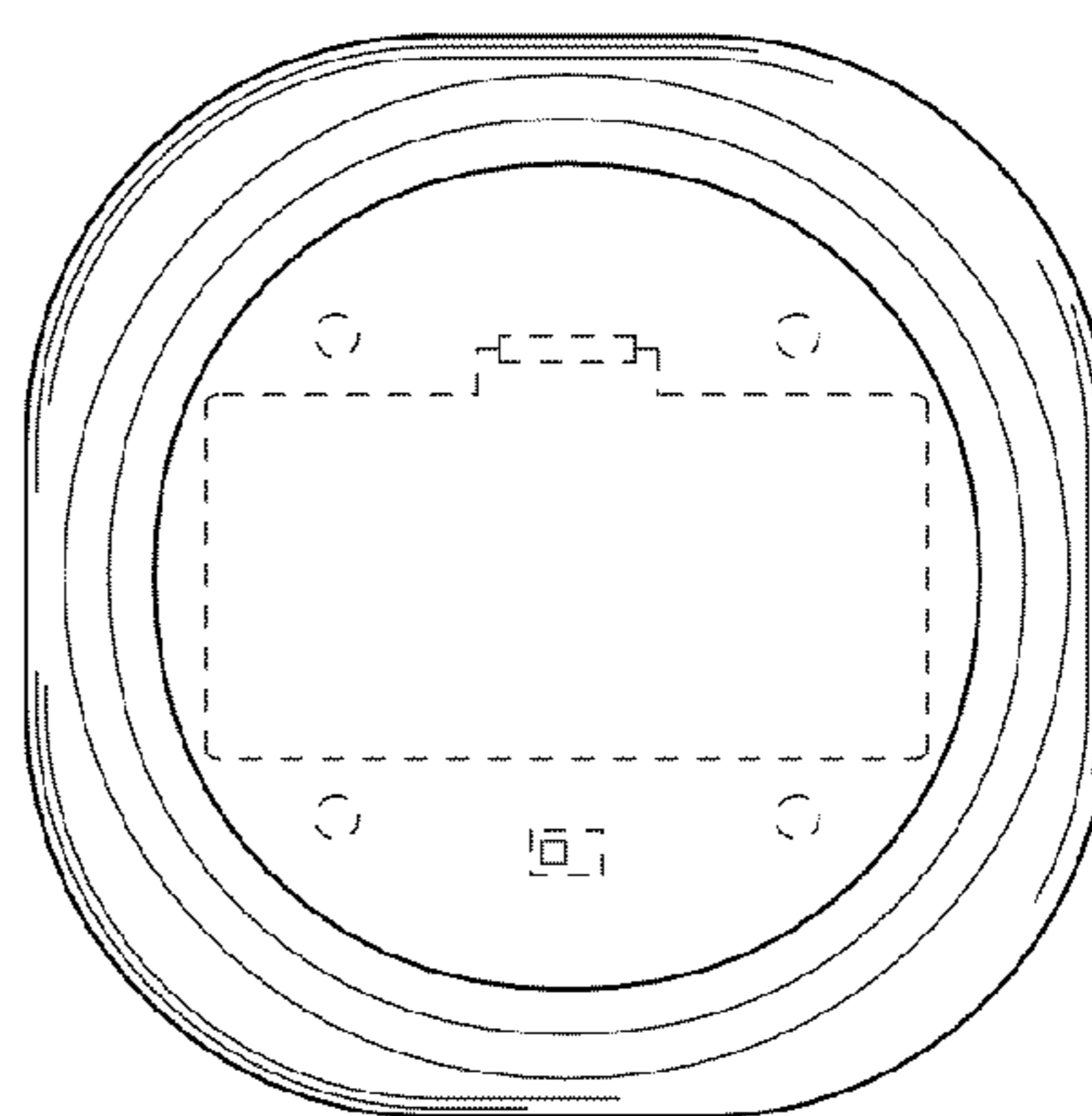


FIG. 14