



US00D747026S

(12) **United States Design Patent**  
**Lowery**

(10) **Patent No.:** **US D747,026 S**  
(45) **Date of Patent:** **\*\* Jan. 5, 2016**

(54) **TABLE LAMP**

D686,361 S \* 7/2013 Cho ..... D26/93  
D700,392 S 2/2014 Lowery  
D716,491 S 10/2014 Lowery

(71) Applicant: **Robert S. Lowery**, Conway, SC (US)

\* cited by examiner

(72) Inventor: **Robert S. Lowery**, Conway, SC (US)

*Primary Examiner* — Brian N Vinson

(\*\*) Term: **14 Years**

(74) *Attorney, Agent, or Firm* — QuickPatents; Kevin Prince

(21) Appl. No.: **29/525,263**

(57) **CLAIM**

(22) Filed: **Apr. 28, 2015**

I claim the ornamental design for a table lamp, as shown and described.

(51) **LOC (10) Cl.** ..... **26-03**

**DESCRIPTION**

(52) **U.S. Cl.**

USPC ..... **D26/93**

(58) **Field of Classification Search**

USPC ..... D26/1, 24, 67, 93-94, 104-110

CPC ..... F21V 21/02; F21V 21/06; F21V 21/00;

F21V 17/00; F21V 15/00

See application file for complete search history.

FIG. 1 is a perspective view of a table lamp, showing my new design;

FIG. 2 is a front elevational view thereof;

FIG. 3 is a rear elevational view thereof;

FIG. 4 is a left-side elevational view thereof the right-side elevational view being a mirror image thereof;

FIG. 5 is a top plan view thereof; and,

FIG. 6 is a bottom plan view thereof.

The broken lines showing a lampshade and a figurine in FIG. 1 depict environmental matter and form no part of the claimed design.

(56) **References Cited**

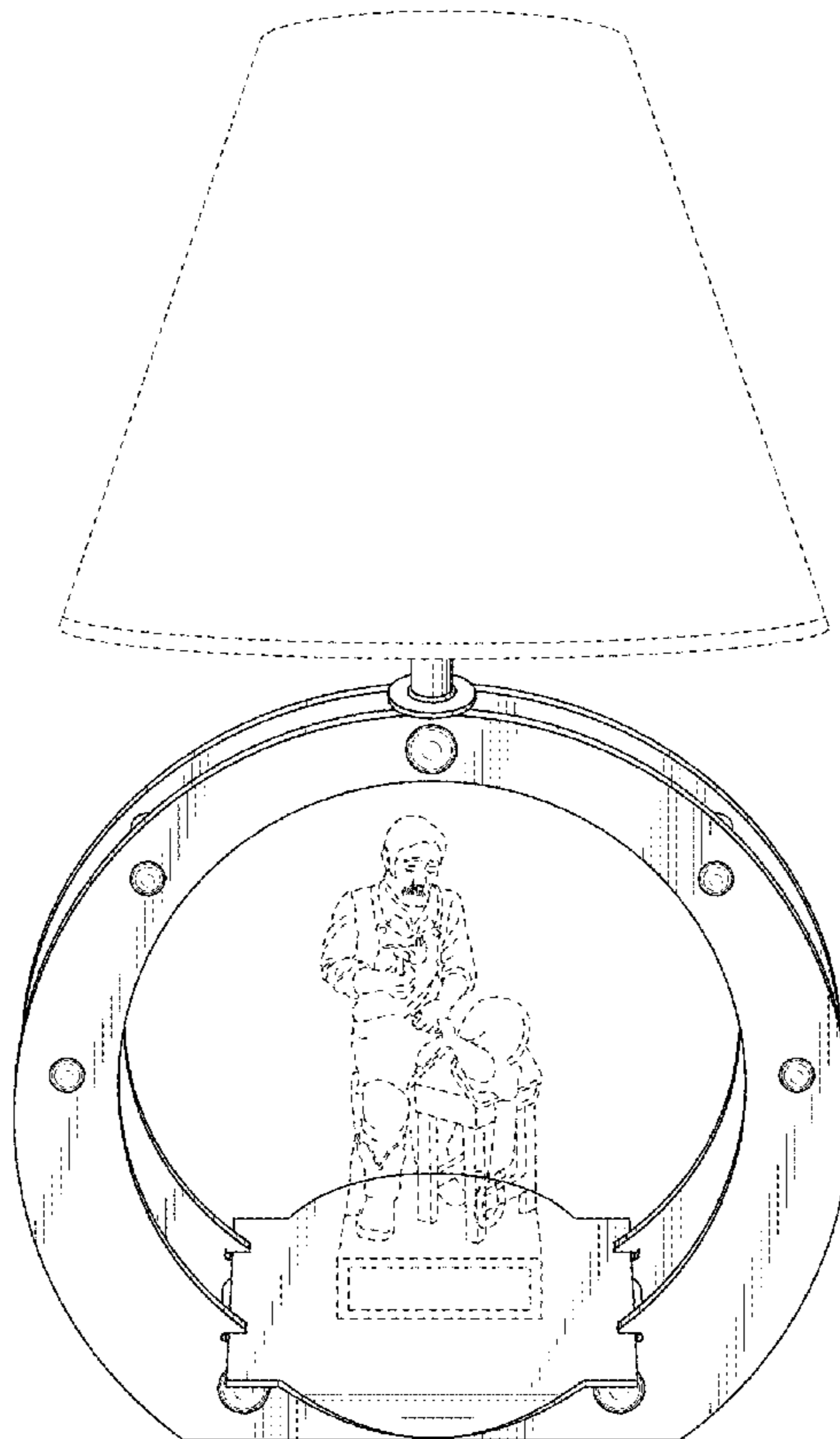
**U.S. PATENT DOCUMENTS**

D509,618 S \* 9/2005 Baarman ..... D26/106

D609,392 S \* 2/2010 Salatto-Rose ..... D26/93

D681,258 S \* 4/2013 Chiang ..... D26/106

**1 Claim, 3 Drawing Sheets**



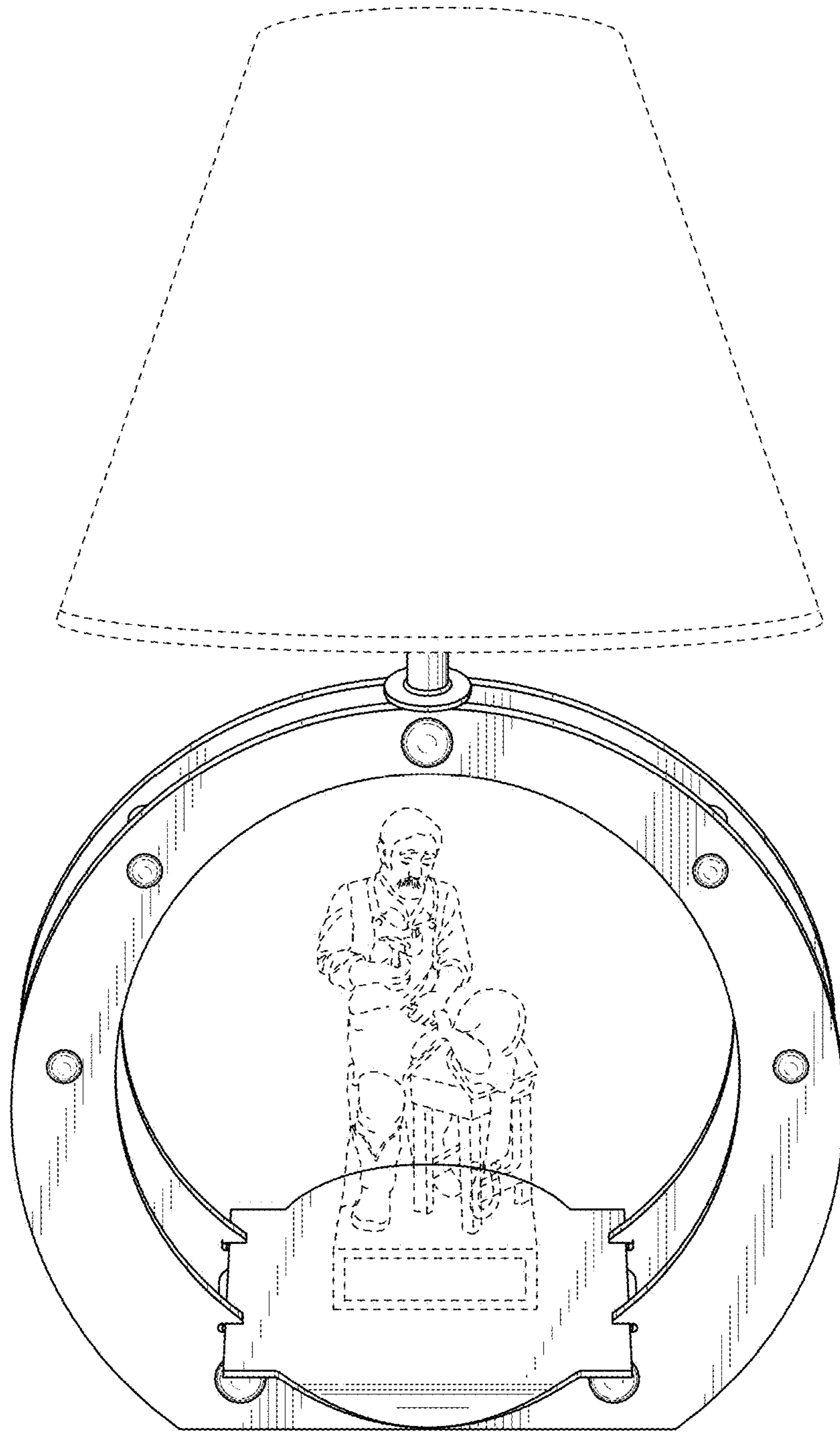


FIG. 1

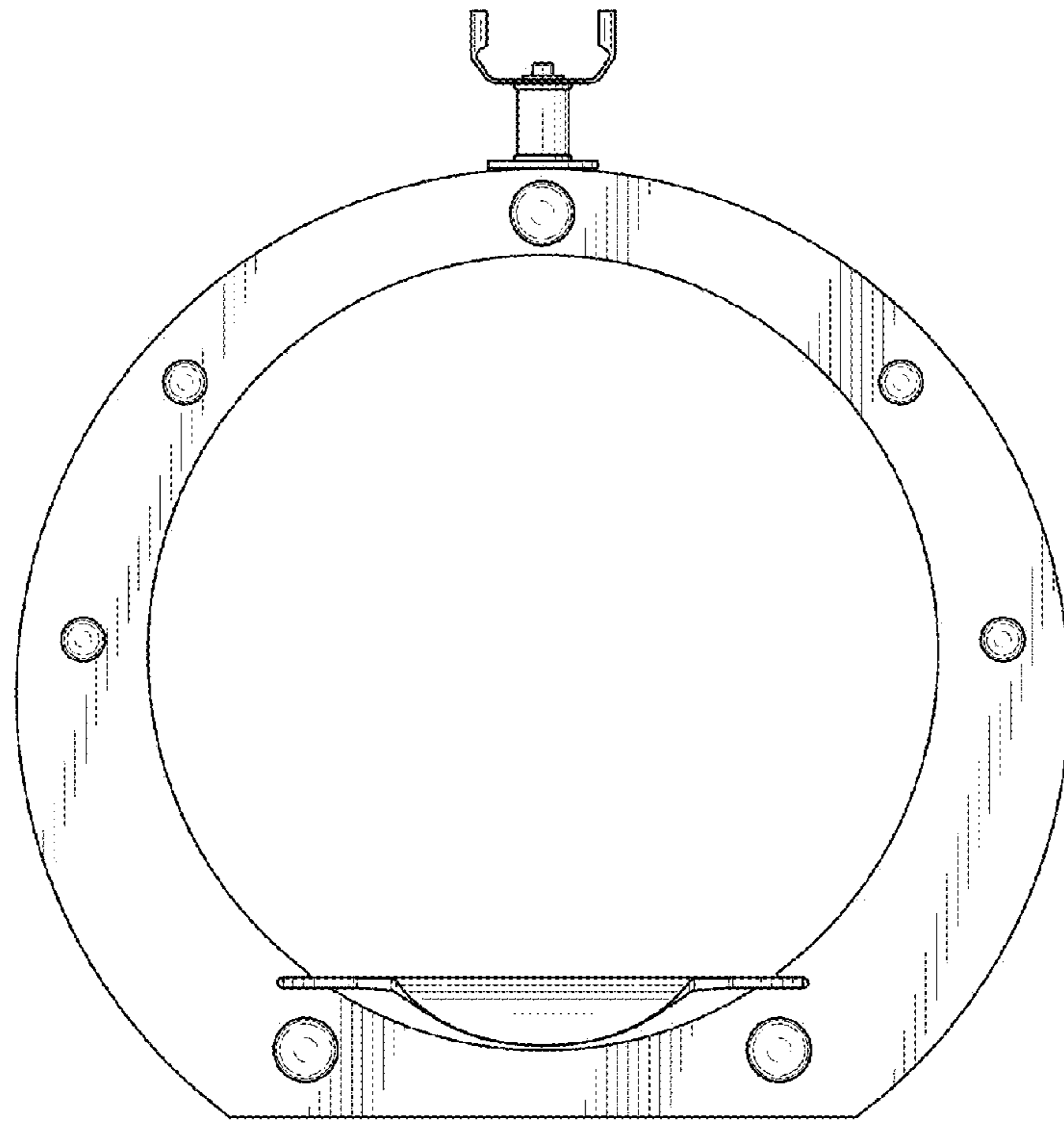


FIG. 2

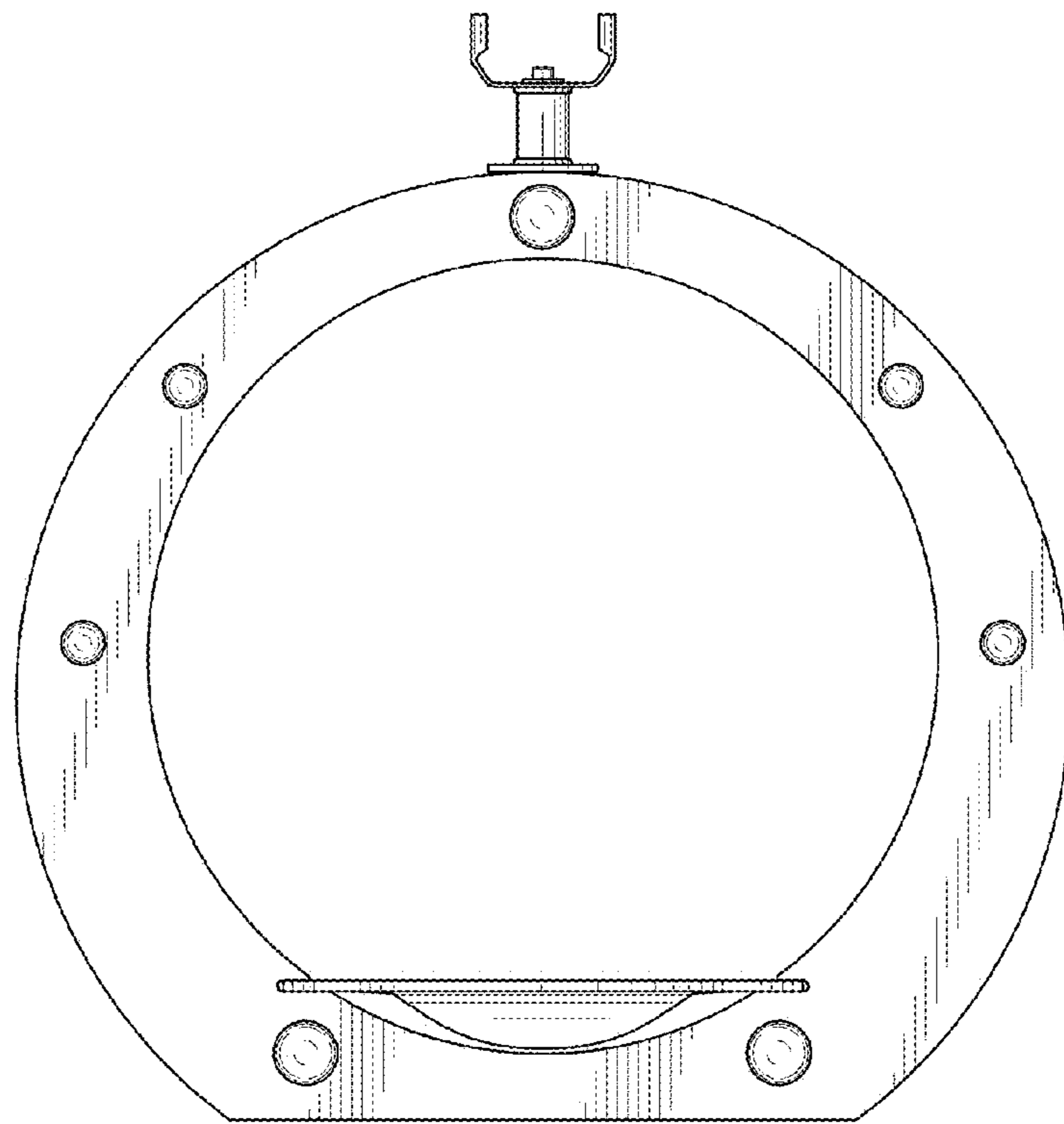


FIG. 3

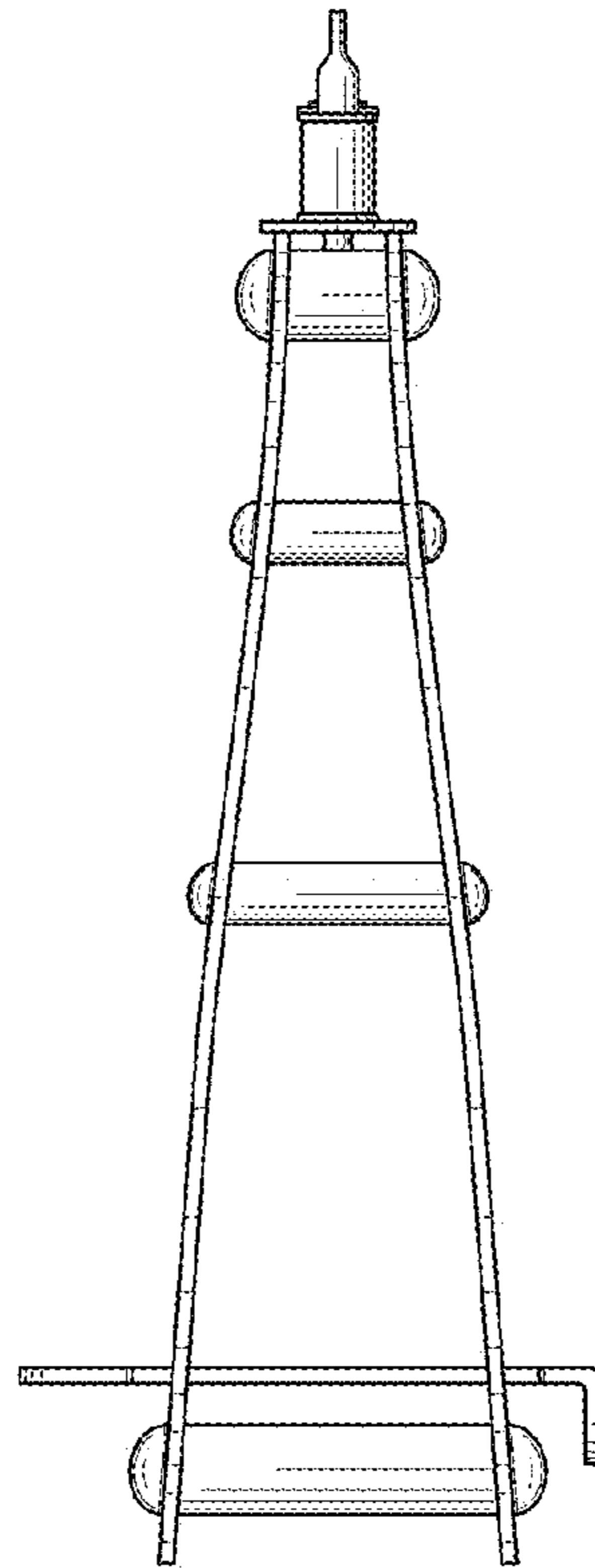


FIG. 4

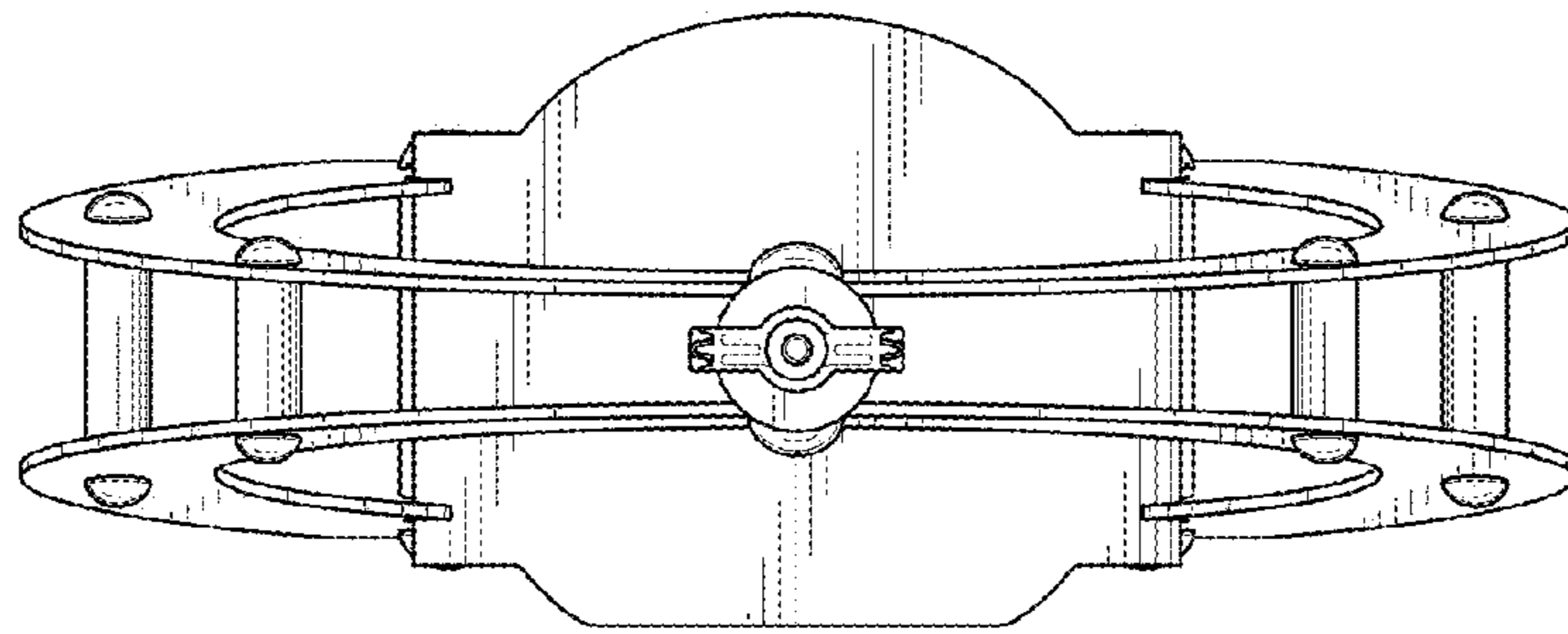


FIG. 5

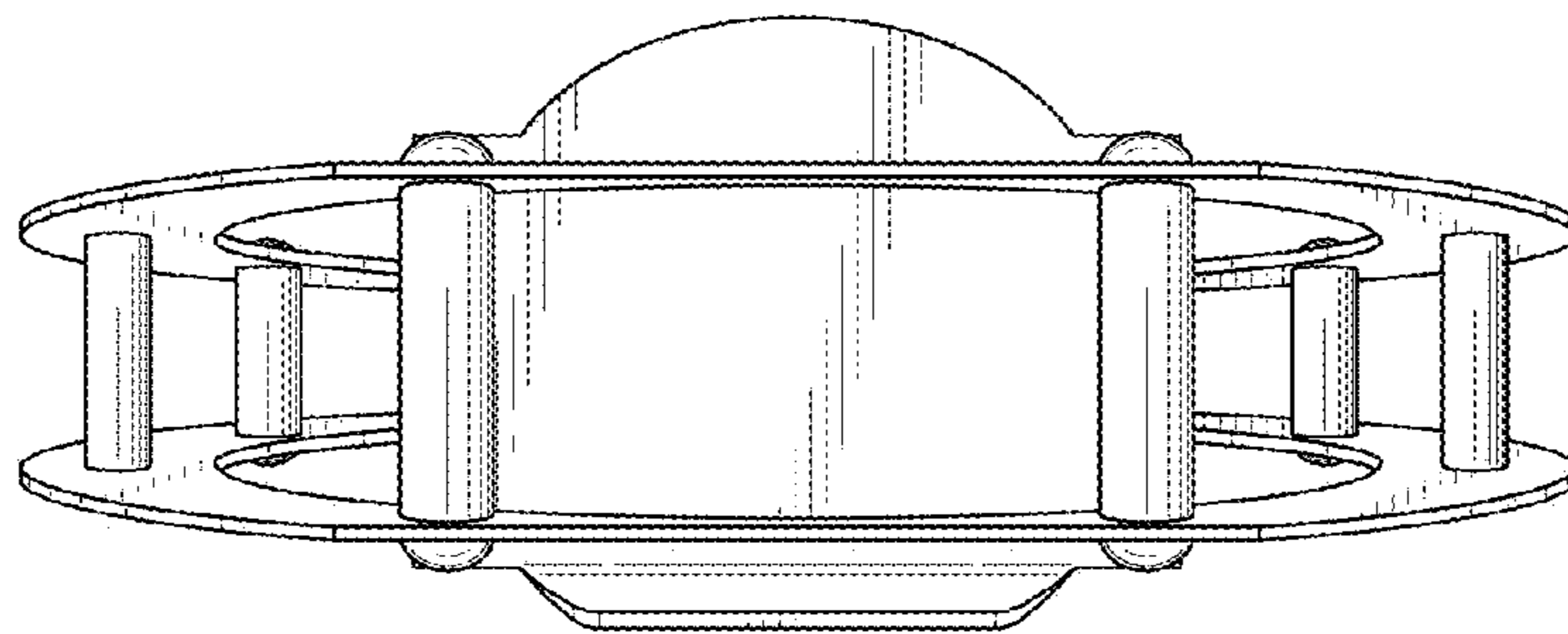


FIG. 6