



US00D747024S

(12) **United States Design Patent**
Windom

(10) **Patent No.:** **US D747,024 S**
(45) **Date of Patent:** **** Jan. 5, 2016**

(54) **LIGHT**

(71) Applicant: **Coast Cutlery Co.**, Portland, OR (US)

(72) Inventor: **Gregory David Windom**, Portland, OR (US)

(73) Assignee: **Coast Cutlery Co.**, Portland, OR (US)

(**) Term: **14 Years**

(21) Appl. No.: **29/482,212**

(22) Filed: **Feb. 14, 2014**

(51) **LOC (10) Cl.** **26-02**

(52) **U.S. Cl.**
USPC **D26/49**

(58) **Field of Classification Search**
USPC D26/37, 40, 41, 44, 46, 49; 362/157,
362/158, 183, 184, 194–196, 200–208
CPC F21V 33/00; F21V 14/025; F21V 21/406;
F21Y 2101/02; F21L 17/00; F21L 13/08;
F21L 2001/00; F21L 14/02
See application file for complete search history.

(56) **References Cited**

U.S. PATENT DOCUMENTS

D639,476 S *	6/2011	Robinson	D26/49
D668,806 S *	10/2012	Chapman	D26/49
D675,357 S *	1/2013	Shi	D26/49
D675,358 S *	1/2013	Brands	D26/49
D683,877 S *	6/2013	Brands	D26/49
D688,402 S *	8/2013	Roshak	D26/49
D698,961 S *	2/2014	Dalton	D26/49

D701,340 S *	3/2014	Opolka	D26/49
D704,368 S *	5/2014	Opolka	D26/49
D710,526 S *	8/2014	Lee	D26/49

* cited by examiner

Primary Examiner — Ian Simmons

Assistant Examiner — Carissa C Fitts

(74) *Attorney, Agent, or Firm* — Schwabe Williamson & Wyatt

(57) **CLAIM**

The ornamental design for a light, as shown and described.

DESCRIPTION

FIG. 1 is a perspective view of the light with the bezel fully extended.

FIG. 2 is a bottom view of the light with the bezel fully extended as illustrated in FIG. 1;

FIG. 3 is a top view of the light with the bezel fully extended as illustrated in FIG. 1;

FIG. 4 is a right side view of the light with the bezel fully extended as illustrated in FIG. 1;

FIG. 5 is a left side view of the light with the bezel fully extended as illustrated in FIG. 1;

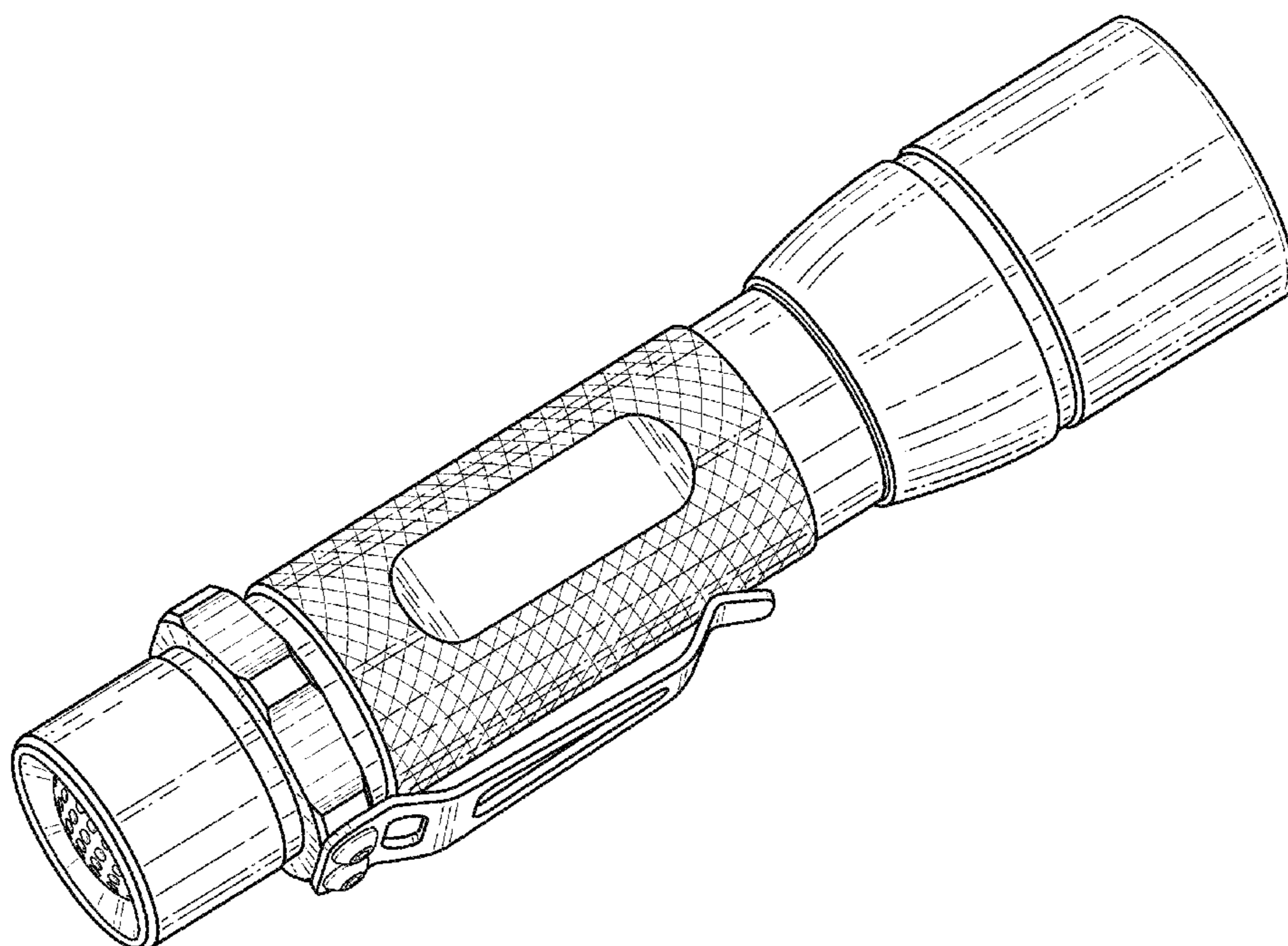
FIG. 6 is an end view of the light illustrated in FIG. 1, taken from the light end;

FIG. 7 is an end view of the light illustrated in FIG. 1, taken from the switch end; and,

FIG. 8 is a perspective of the light illustrated in FIG. 1 with the bezel retracted.

The broken line showing represents portions of the article not claimed and forms no part of the claimed design.

1 Claim, 7 Drawing Sheets



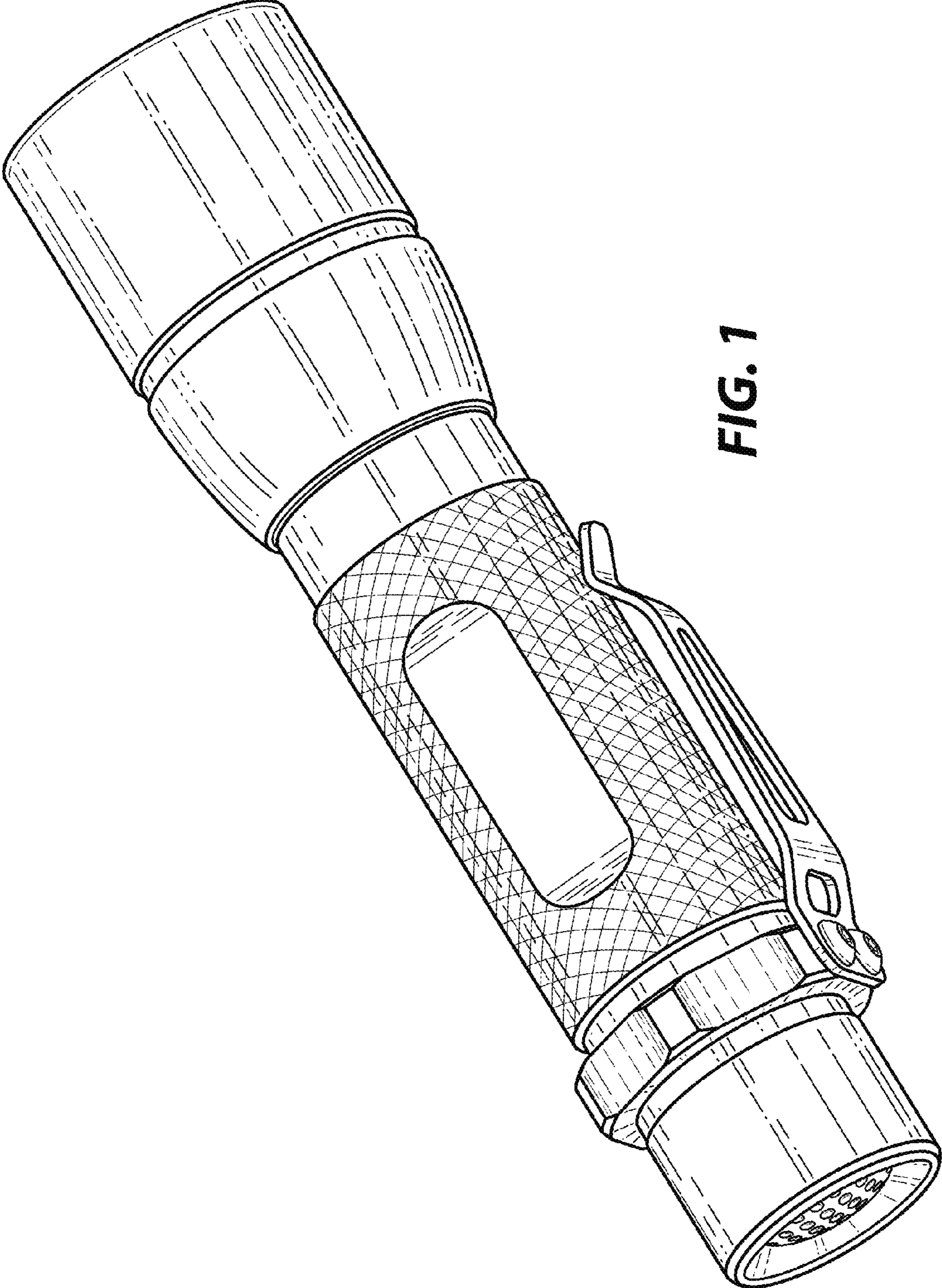


FIG. 1

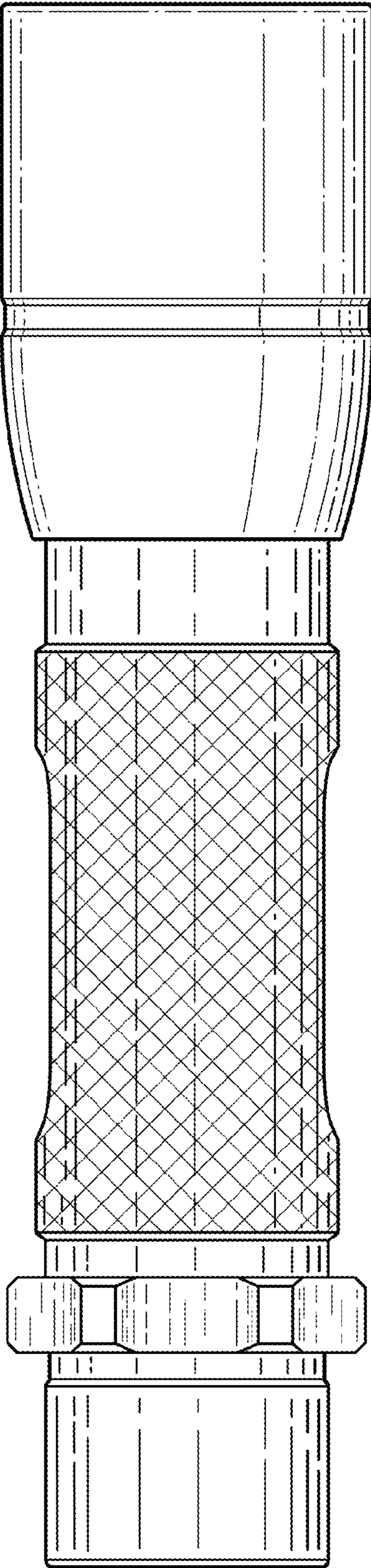


FIG. 2

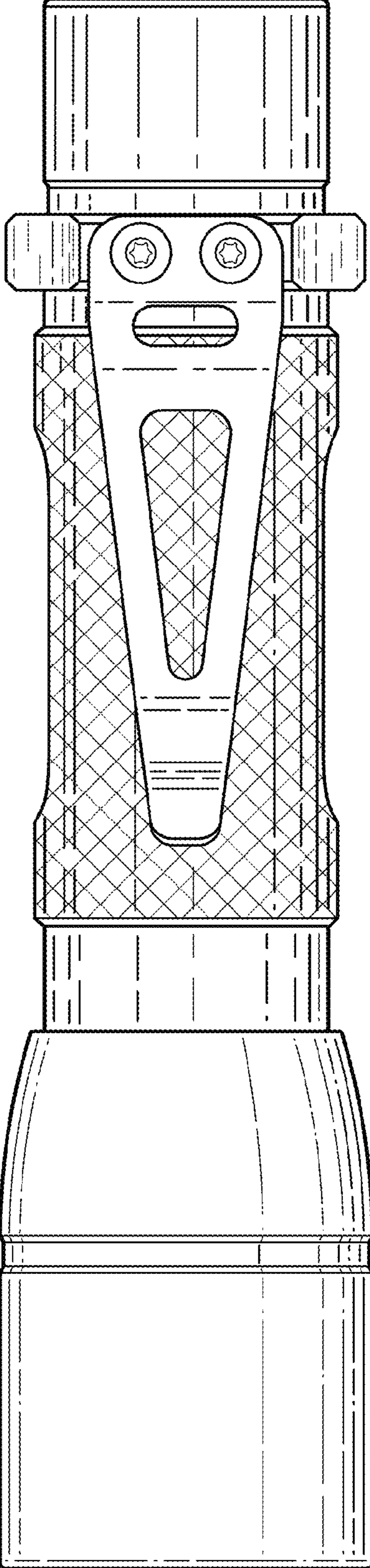


FIG. 3

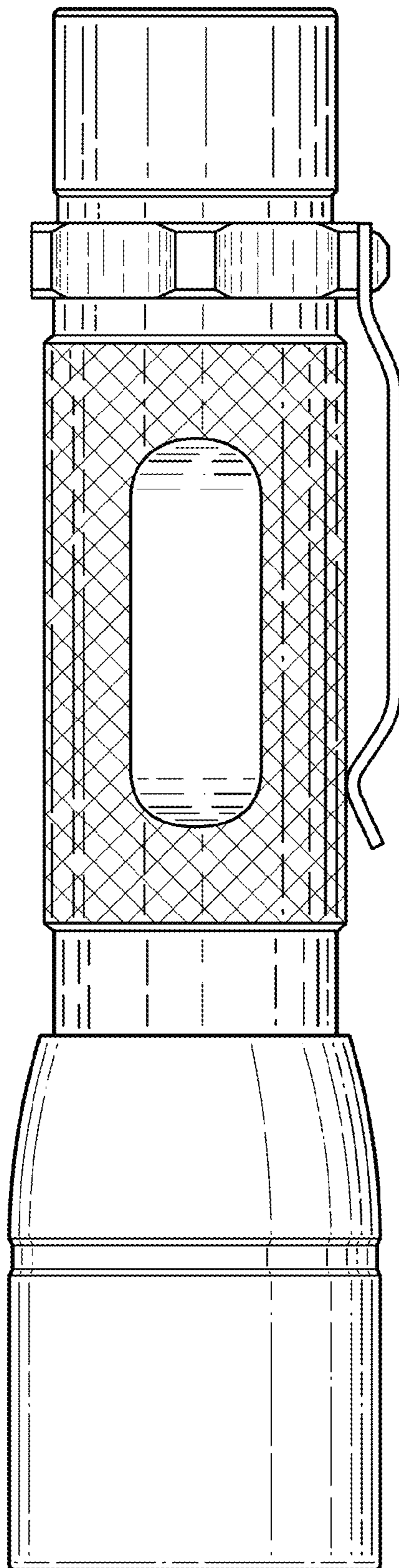


FIG. 4

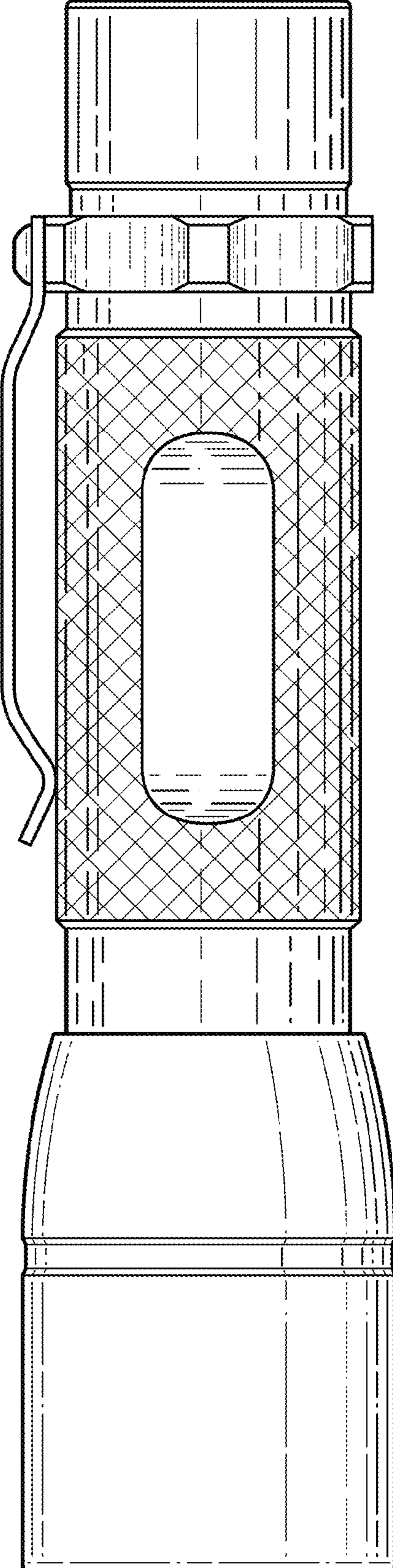


FIG. 5

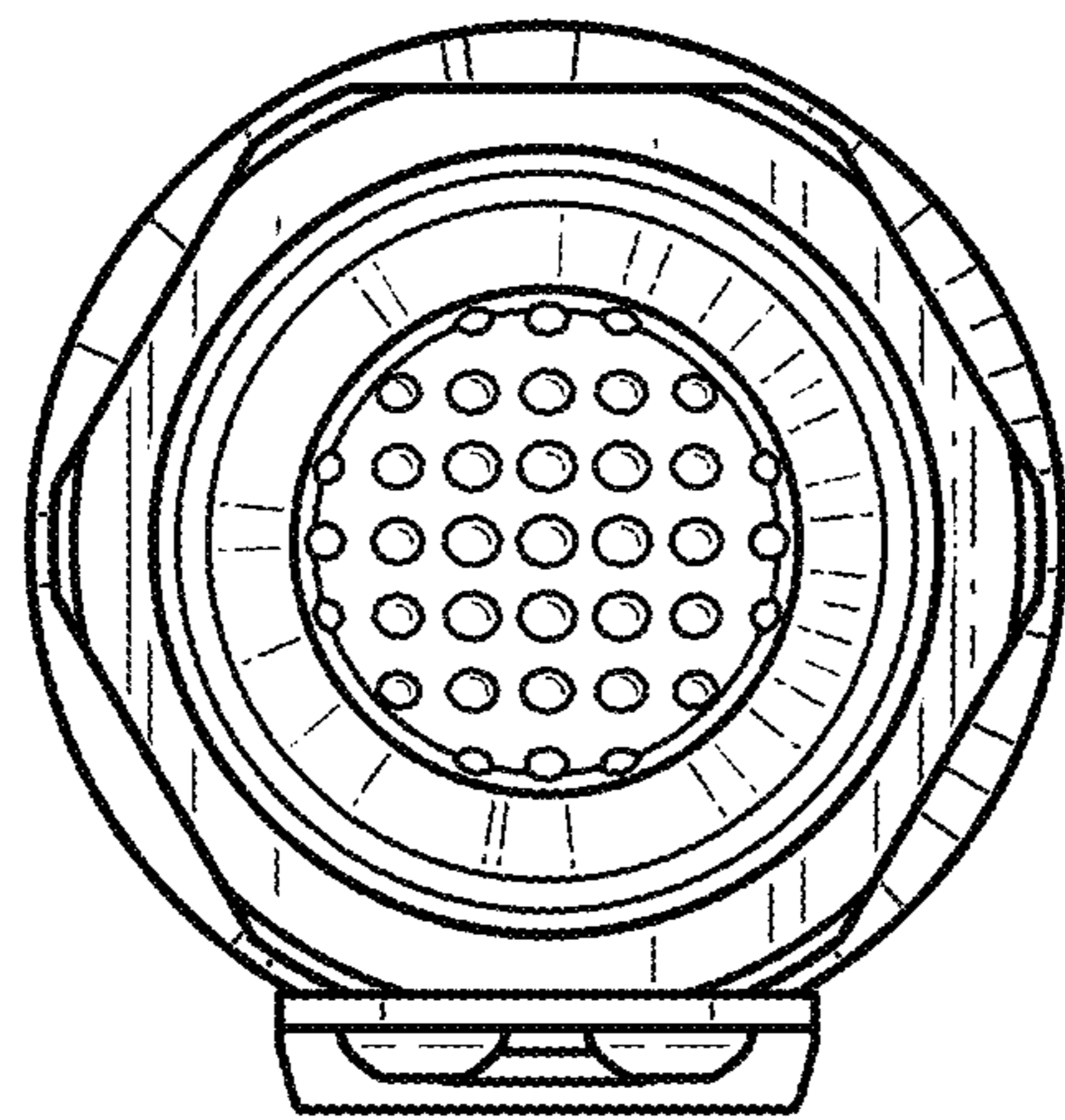


FIG. 7

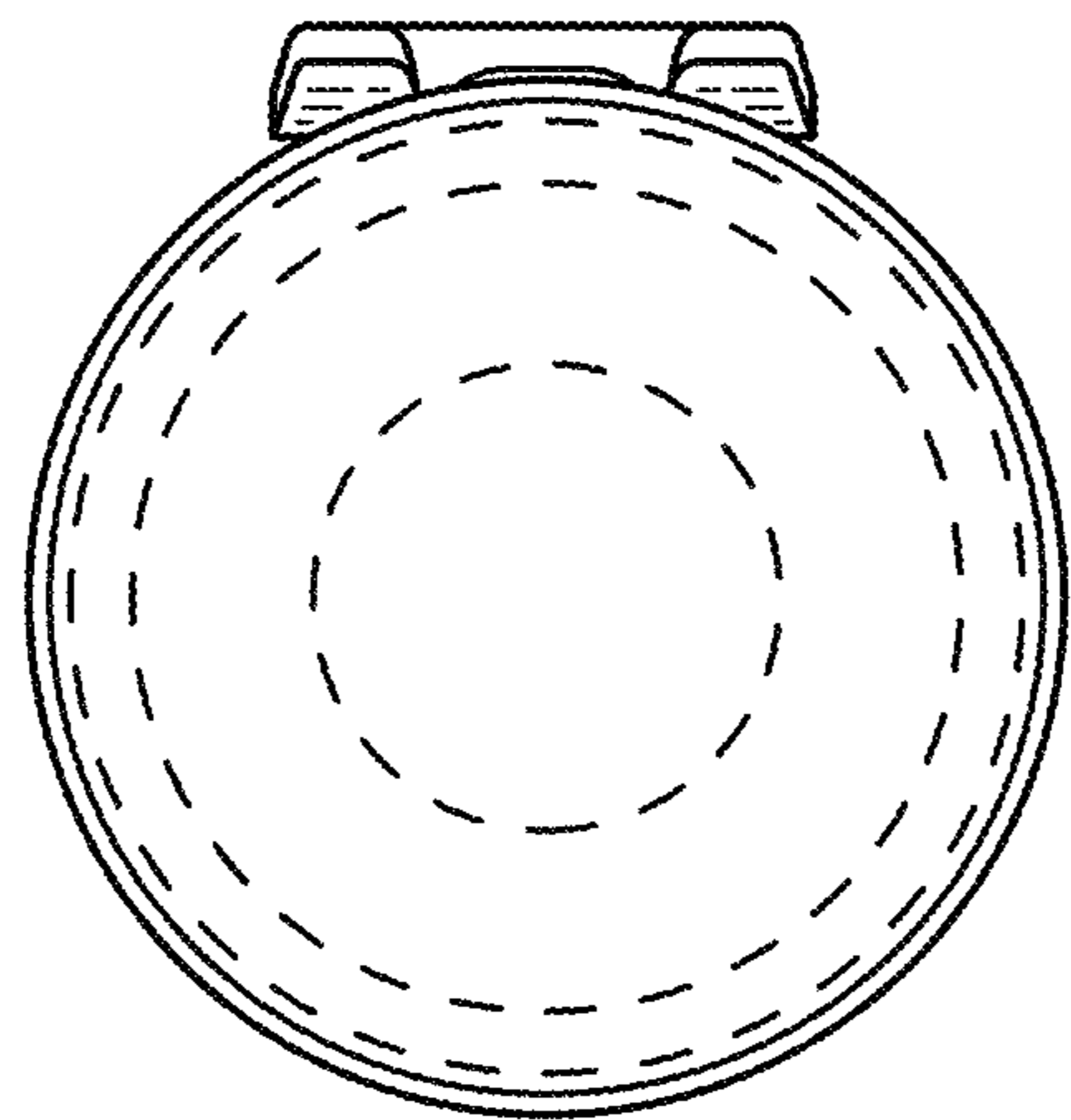


FIG. 6

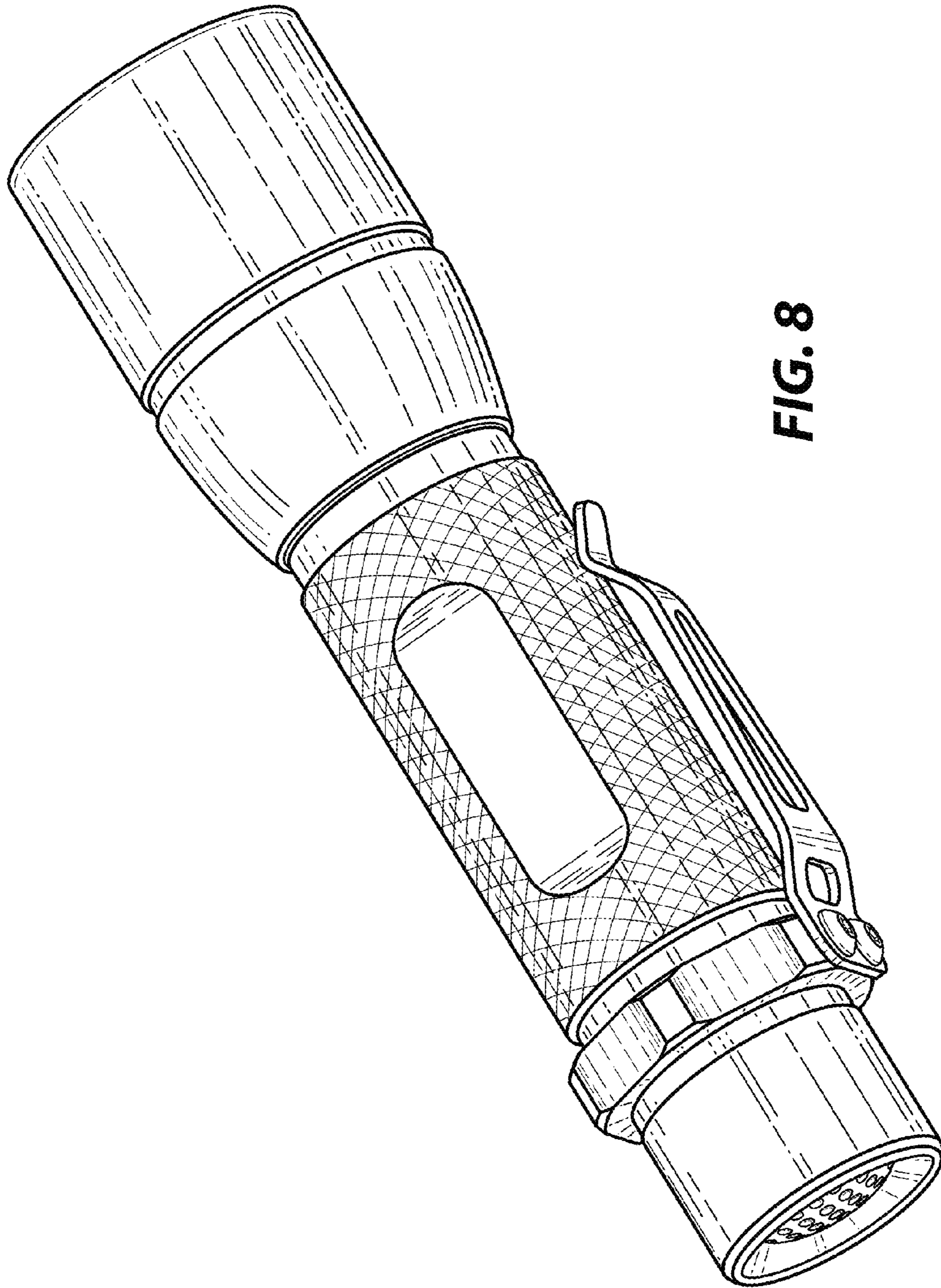


FIG. 8