



US00D747022S

(12) **United States Design Patent**
Leung

(10) **Patent No.:** **US D747,022 S**
(45) **Date of Patent:** **** Jan. 5, 2016**

- (54) **LED PORTABLE LANTERN**
- (71) Applicants: **Create Limited**, New Territories, Hong Kong (CN); **Chung-Sum Frederick Leung**, New Territories, Hong Kong (CN)
- (72) Inventor: **Chung-Sum Frederick Leung**, Hong Kong (CN)
- (73) Assignee: **Create Limited**, Tsuen Wan, New Territories, Hong Kong (CN)
- (**) Term: **14 Years**
- (21) Appl. No.: **29/452,564**
- (22) Filed: **Apr. 18, 2013**

- (30) **Foreign Application Priority Data**
- Oct. 19, 2012 (HK) 1202130.1
- (51) **LOC (10) Cl.** **26-02**
- (52) **U.S. Cl.**
- USPC **D26/40**; D26/49
- (58) **Field of Classification Search**
- USPC D26/37, 38, 40, 46, 49, 51, 41;
362/158, 157, 183, 184, 194-196,
362/200-208, 253
- CPC F21V 33/00; F21V 14/025; F21V 21/406;
F21Y 2101/02; F21L 2003/00; F21L 2005/00;
F21L 2/00; F21L 4/00; F21L 4/005; F21L
17/00; F21L 13/08
- See application file for complete search history.

- (56) **References Cited**
- U.S. PATENT DOCUMENTS
- D267,899 S * 2/1983 Kolm et al. D26/40
- D287,642 S * 1/1987 Chi-hung D26/40
- D288,722 S * 3/1987 Harada D26/11
- D293,482 S * 12/1987 Geissler D26/49
- D317,057 S * 5/1991 Argandona D26/40
- D321,568 S * 11/1991 Yuen D26/42
- D330,775 S * 11/1992 Yuen D26/46

- D344,348 S * 2/1994 Lo D26/41
- D365,164 S * 12/1995 Yuen D26/48
- D368,785 S * 4/1996 Nakao D26/49
- D451,221 S * 11/2001 Poon D26/42
- 6,685,335 B1 * 2/2004 Yeh et al. 362/184
- D489,469 S * 5/2004 Liou D26/37
- D553,272 S * 10/2007 Leung D26/37
- D581,568 S * 11/2008 Bertken D26/40
- D583,492 S * 12/2008 Jen D26/40
- D599,923 S * 9/2009 Shiu D26/40
- D675,763 S * 2/2013 Levine D26/40

* cited by examiner

Primary Examiner — Ian Simmons
Assistant Examiner — Carissa C Fitts
 (74) *Attorney, Agent, or Firm* — Alix, Yale & Ristas, LLP

(57) **CLAIM**
 The ornamental design for an LED portable lantern, as shown and described.

DESCRIPTION

FIG. 1 is a right perspective view of an LED portable lantern showing my new design;
 FIG. 2 is a left perspective view thereof;
 FIG. 3 is a front view thereof;
 FIG. 4 is a rear view thereof;
 FIG. 5 is a left side view thereof;
 FIG. 6 is a right side view thereof;
 FIG. 7 is a top plan view thereof;
 FIG. 8 is a bottom plan view thereof;
 FIG. 9 is a bottom plan view thereof in a modified first position;
 FIG. 10 is a right perspective view thereof in an alternative position;
 FIG. 11 is a left perspective view thereof in an alternative position;
 FIG. 12 is a front view thereof in an alternative position;
 FIG. 13 is a rear view thereof in an alternative position;
 FIG. 14 is a left side view thereof in an alternative position;
 FIG. 15 is a right side view thereof in an alternative position;
 FIG. 16 is a top plan view thereof in an alternative position;
 FIG. 17 is a bottom plan view thereof in an alternative position;

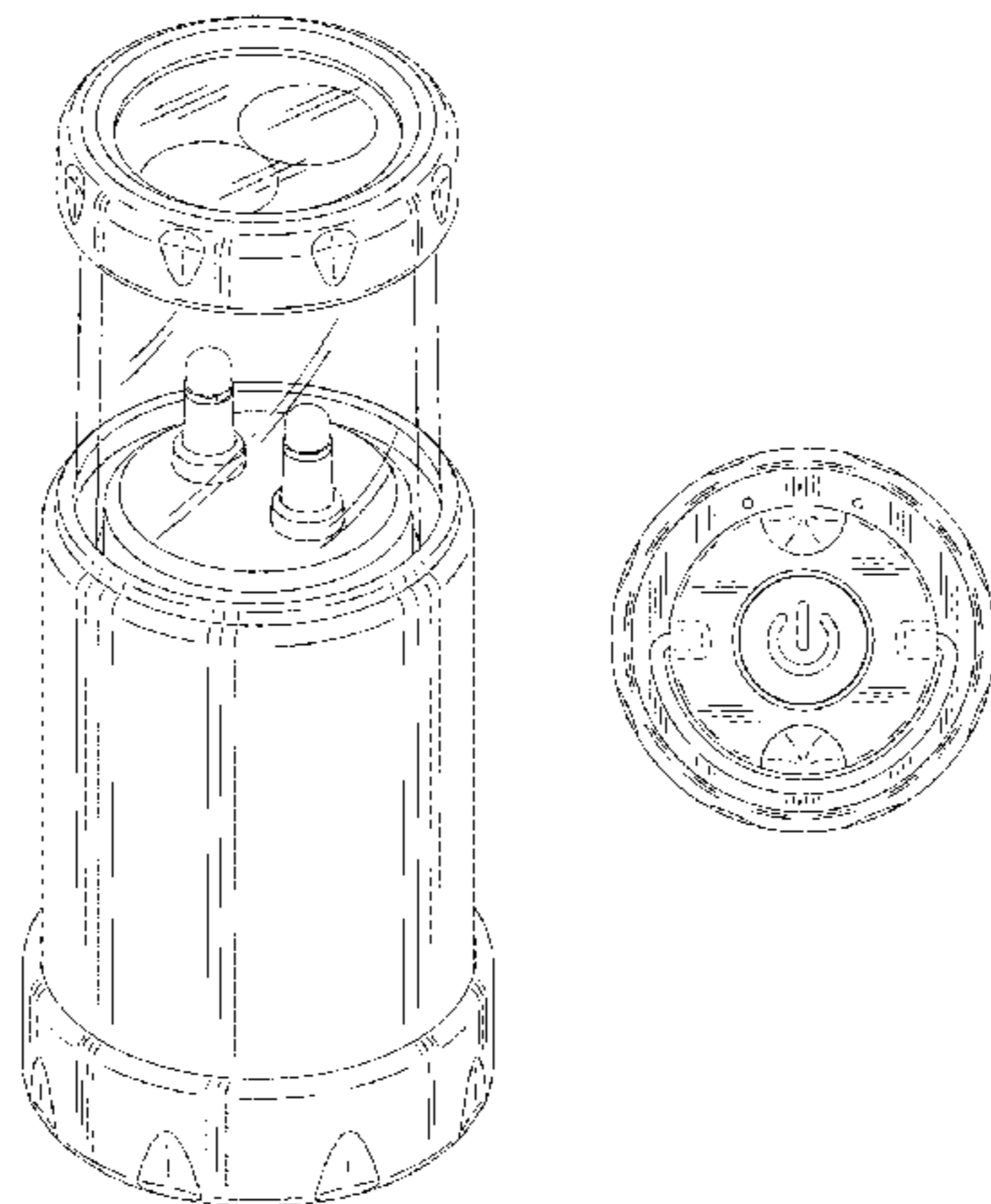


FIG. 18 is a right perspective view thereof in a second alternative position;

FIG. 19 is a left perspective view thereof in a second alternative position;

FIG. 20 is a front view thereof in a second alternative position;

FIG. 21 is a rear view thereof in a second alternative position;

FIG. 22 is a left side view thereof in a second alternative position;

FIG. 23 is a right side view thereof in a second alternative position;

FIG. 24 is a top plan view thereof in a second alternative position;

FIG. 25 is a bottom plan view thereof in a second alternative position;

FIG. 26 is a bottom plan view thereof in a second alternative position in a modified second alternative position;

FIG. 27 is a right perspective view thereof in a third alternative position;

FIG. 28 is a left perspective view thereof in a third alternative position;

FIG. 29 is a front view thereof in a third alternative position;

FIG. 30 is a rear view thereof in a third alternative position;

FIG. 31 is a left side view thereof in a third alternative position;

FIG. 32 is a right side view thereof in a third alternative position;

FIG. 33 is a top plan view thereof in a third alternative position; and,

FIG. 34 is a bottom plan view thereof in a third alternative position.

The broken lines in the drawings illustrate unclaimed portions of the LED portable lantern and form no part of the claimed design.

1 Claim, 16 Drawing Sheets

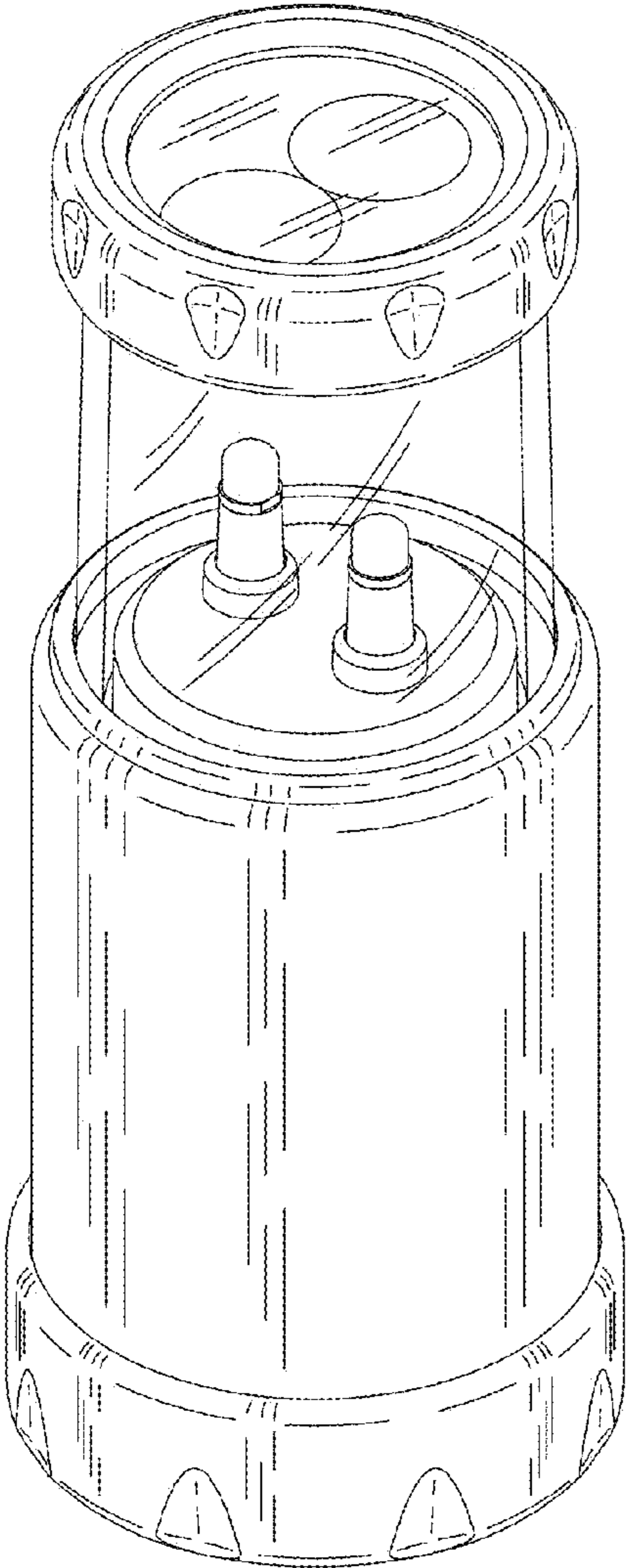


FIG. 1

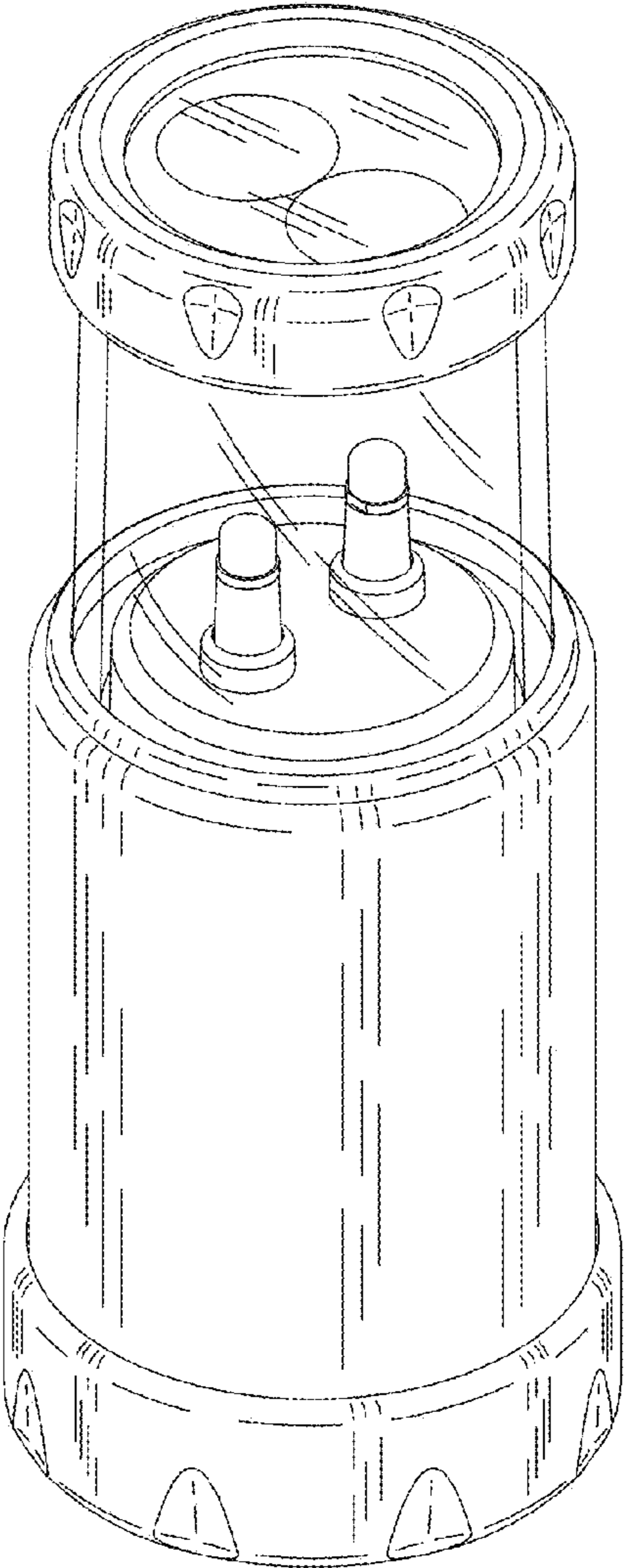


FIG. 2

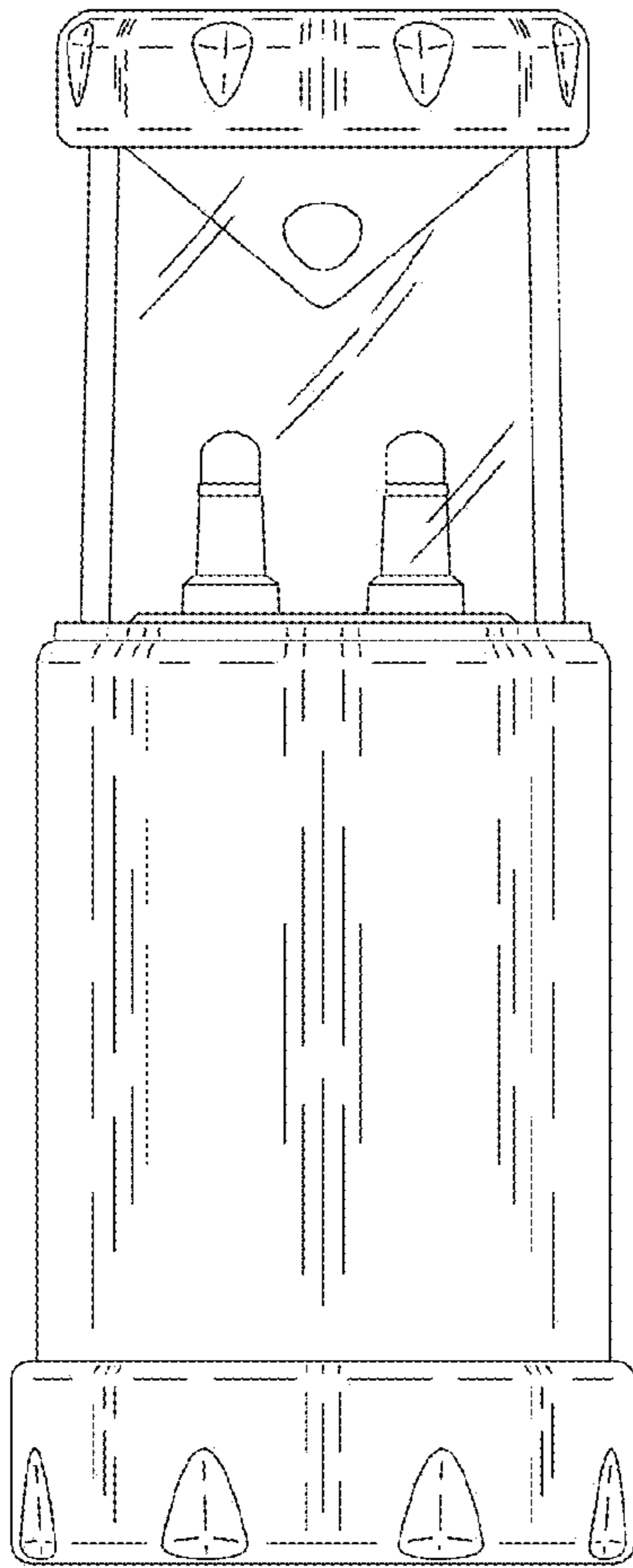


FIG. 3

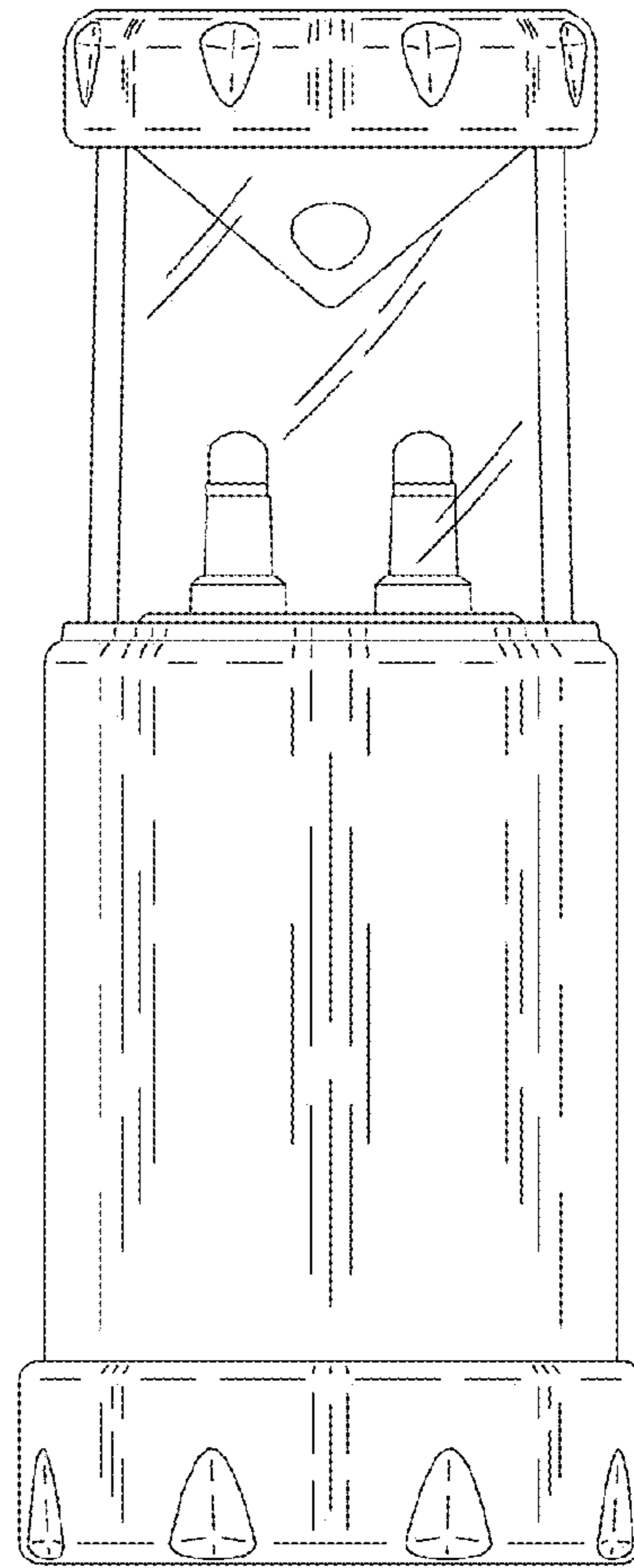


FIG. 4

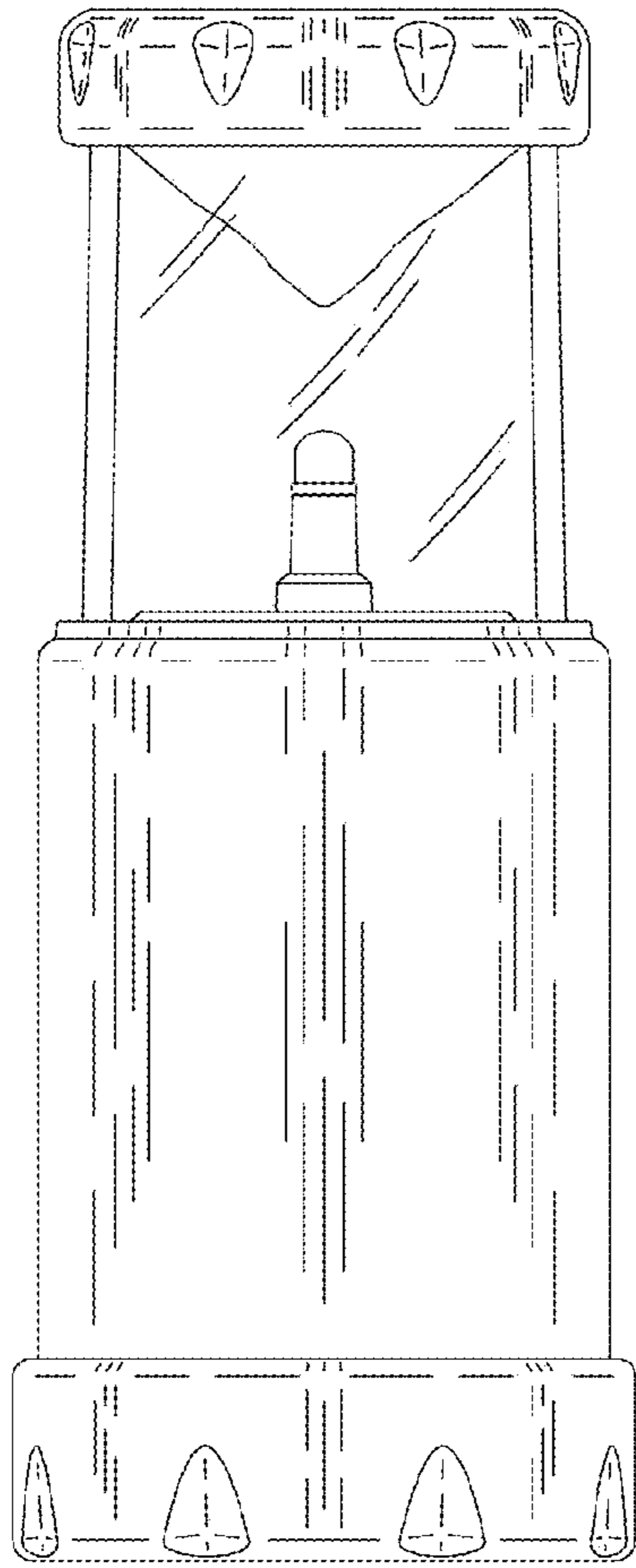


FIG. 5

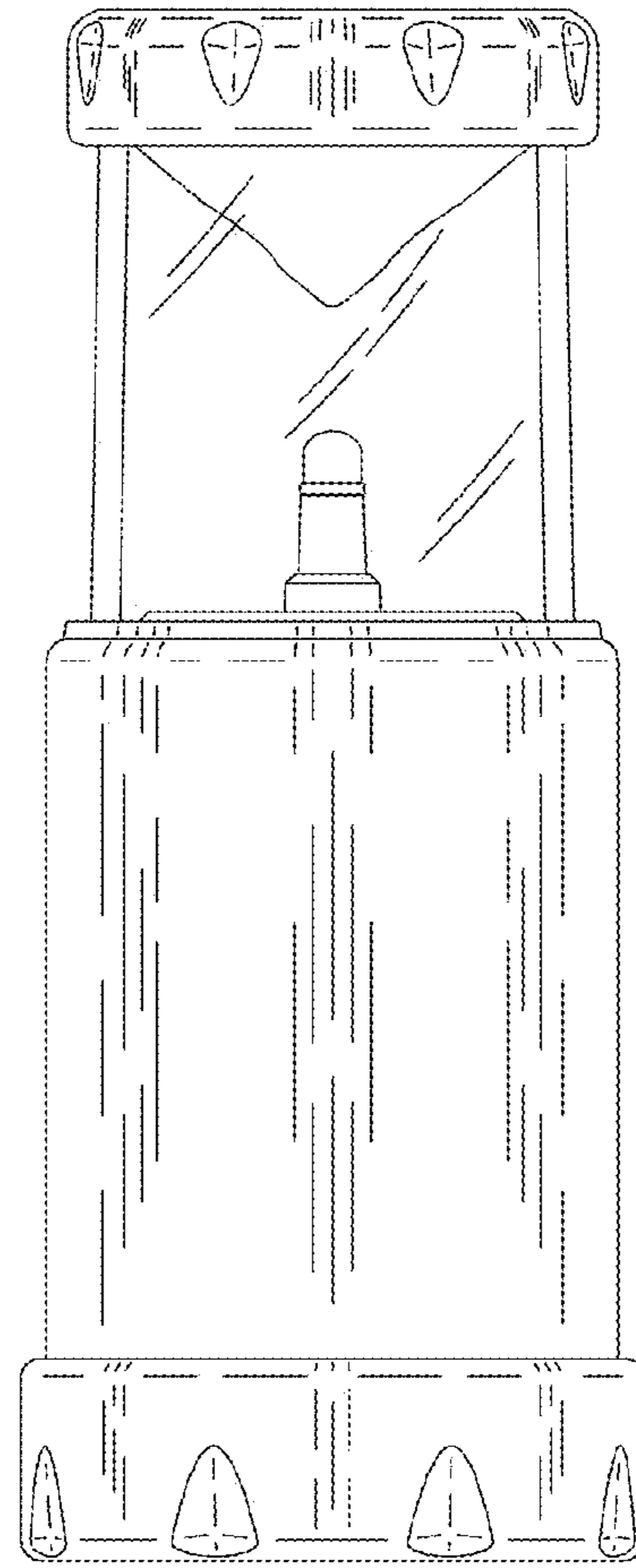


FIG. 6

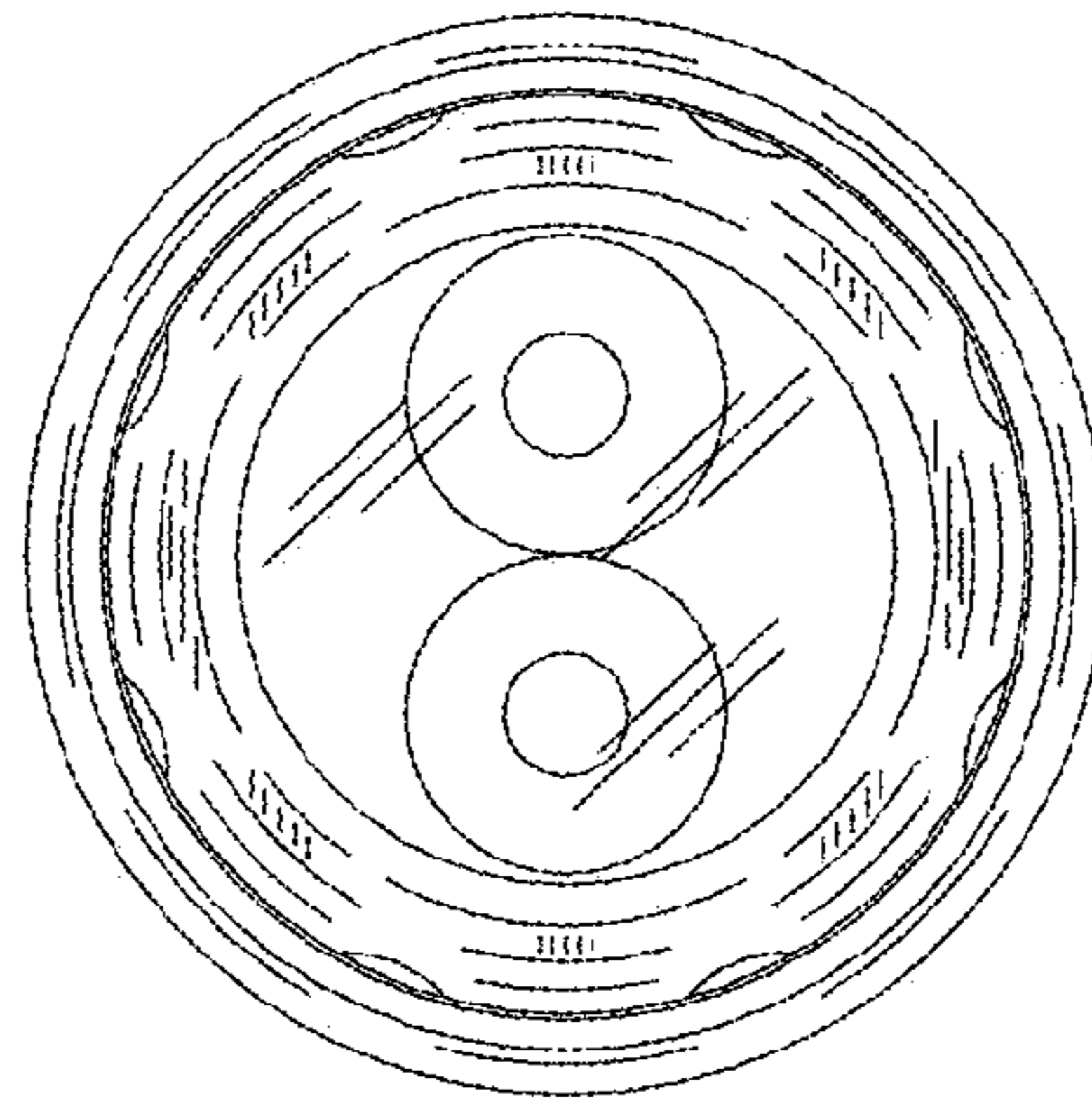


FIG. 7

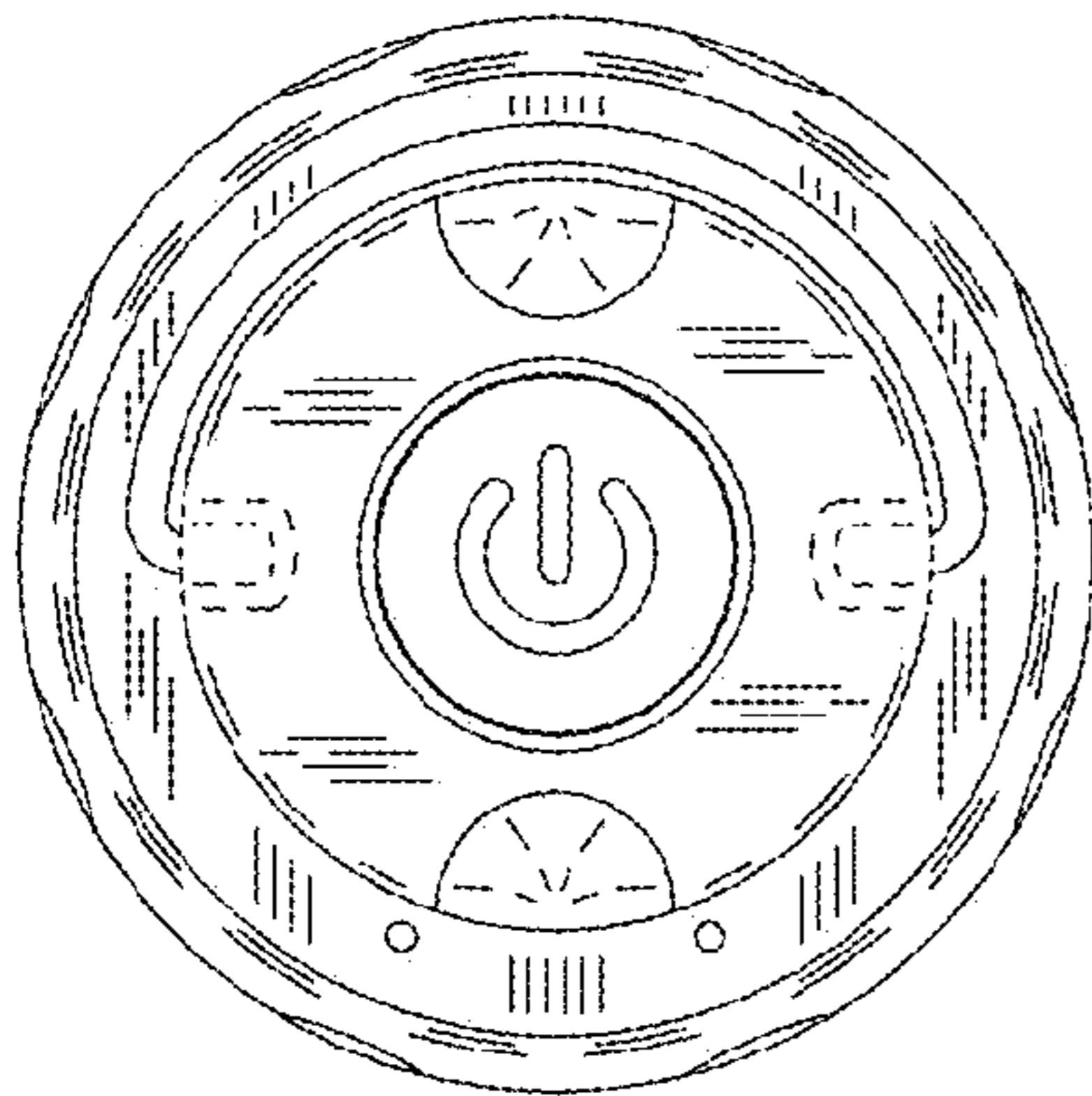


FIG. 8

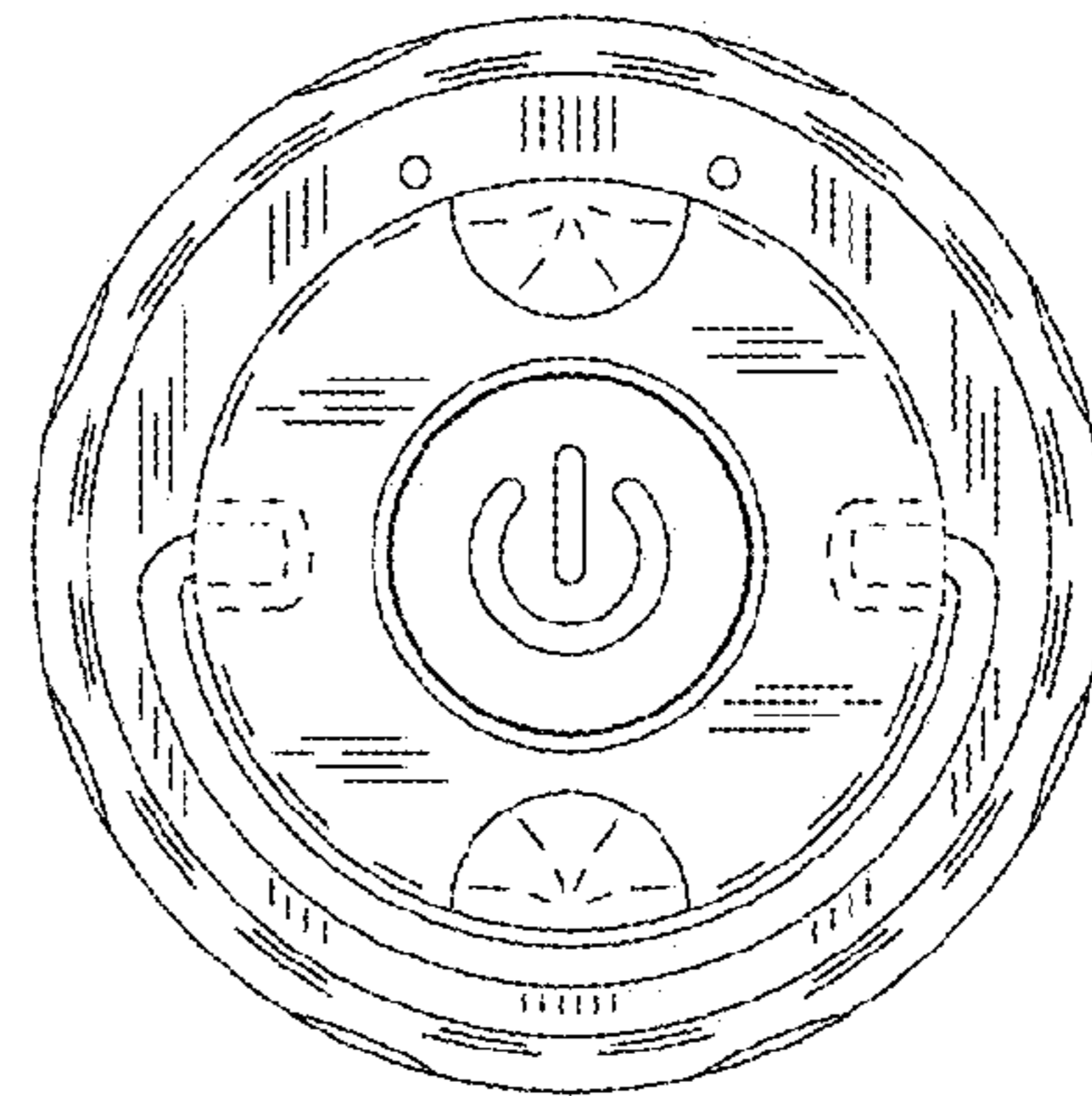


FIG. 9

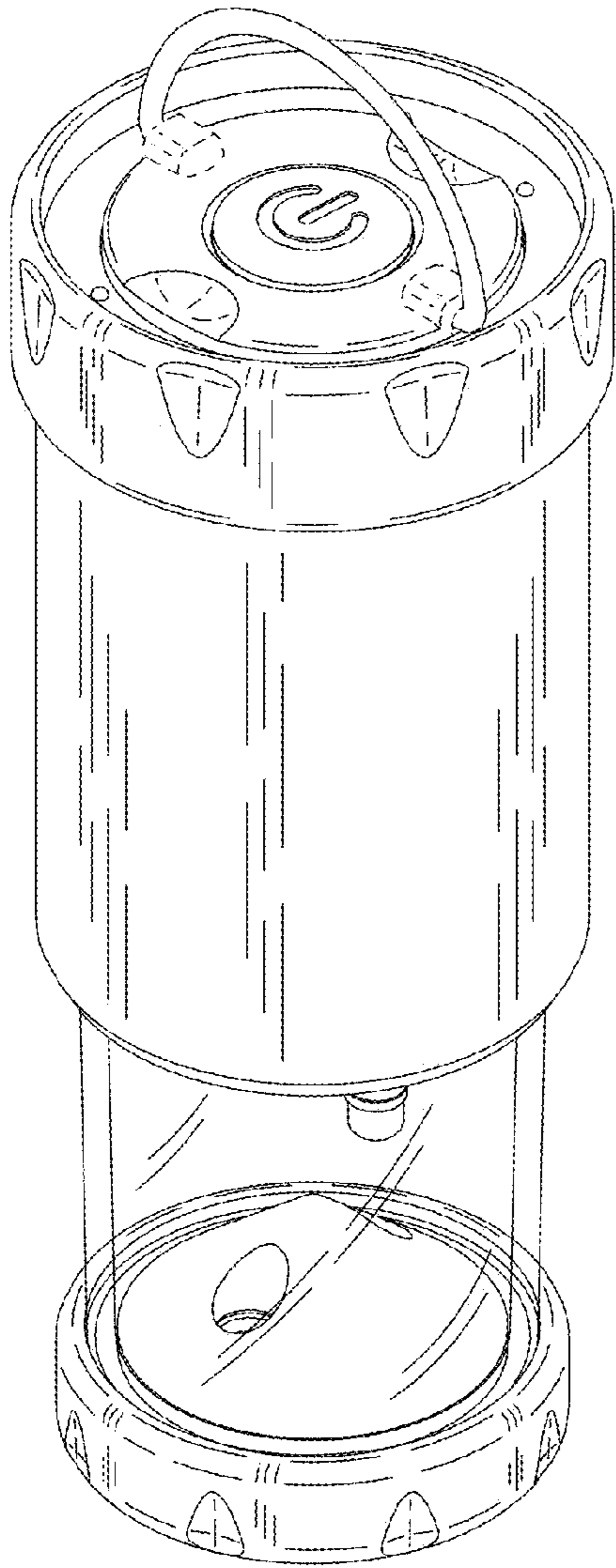


FIG. 10

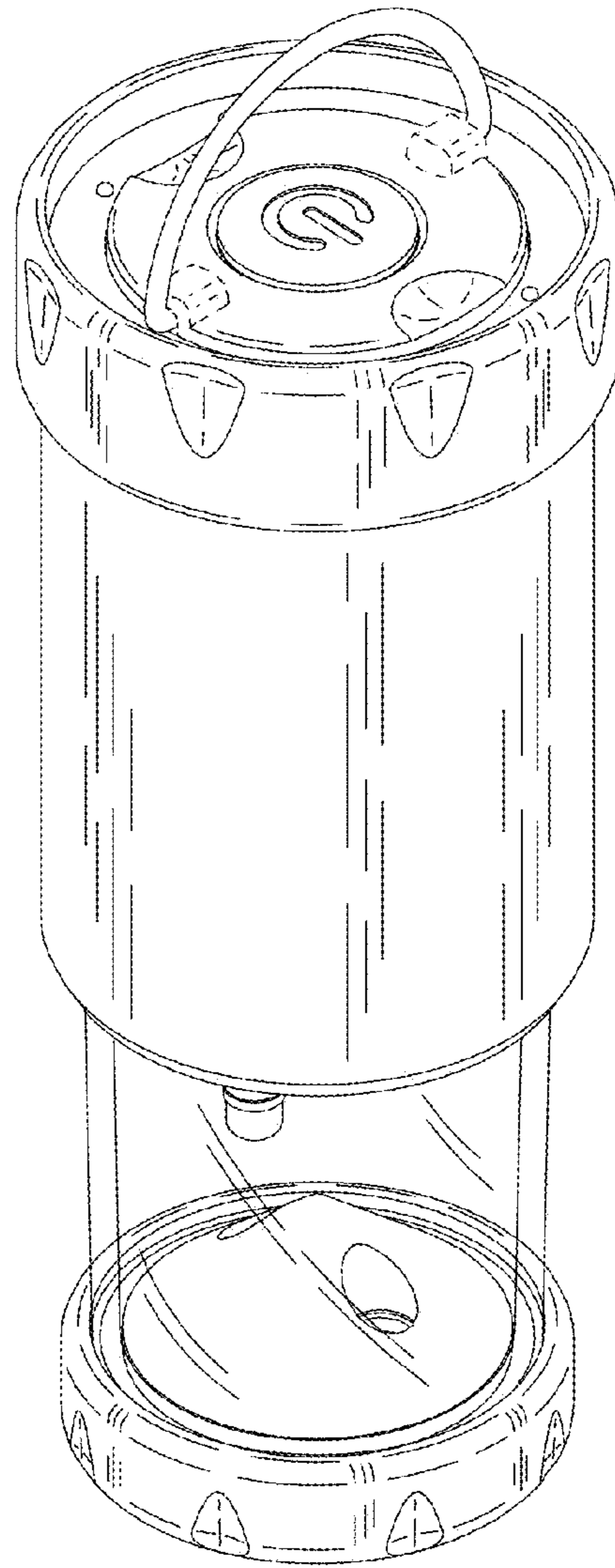


FIG. 11

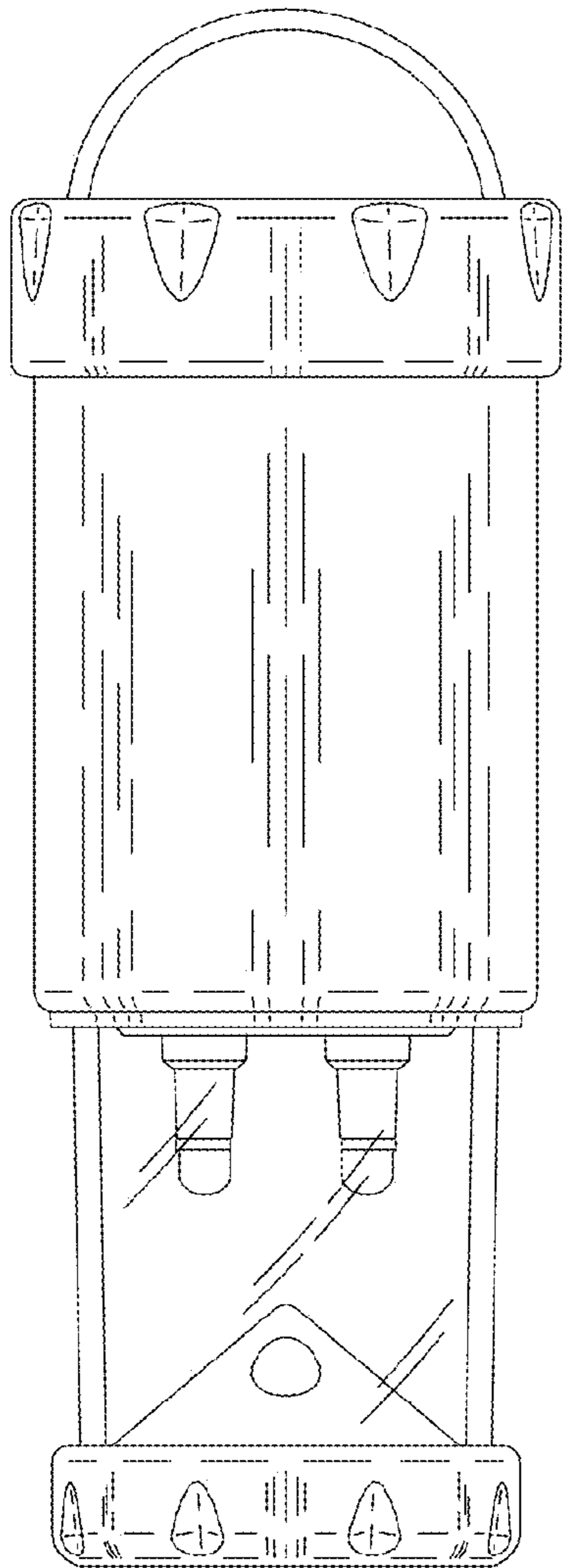


FIG. 12

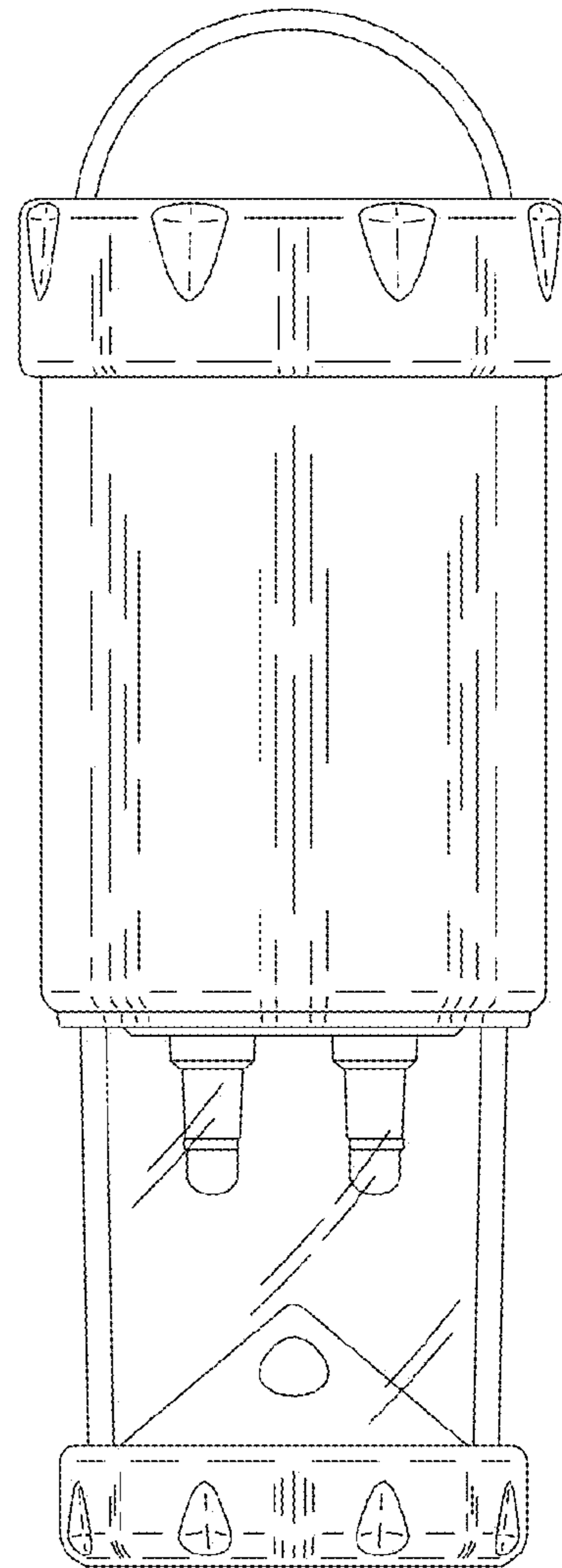


FIG. 13

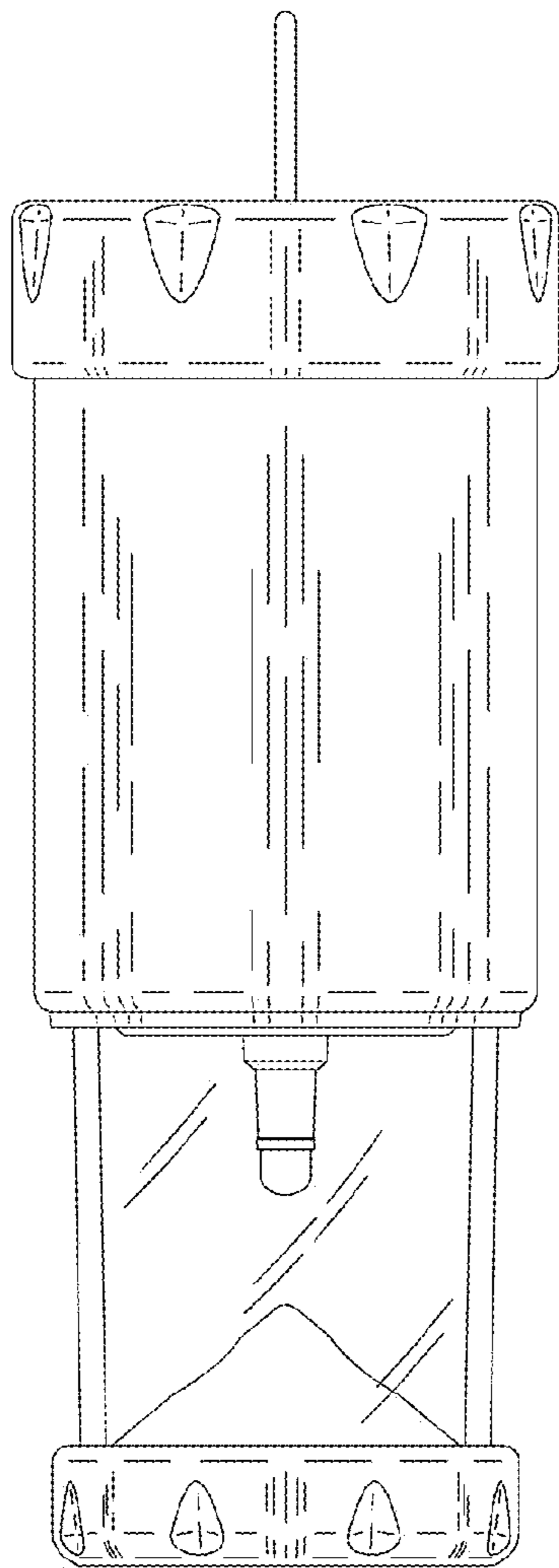


FIG. 14

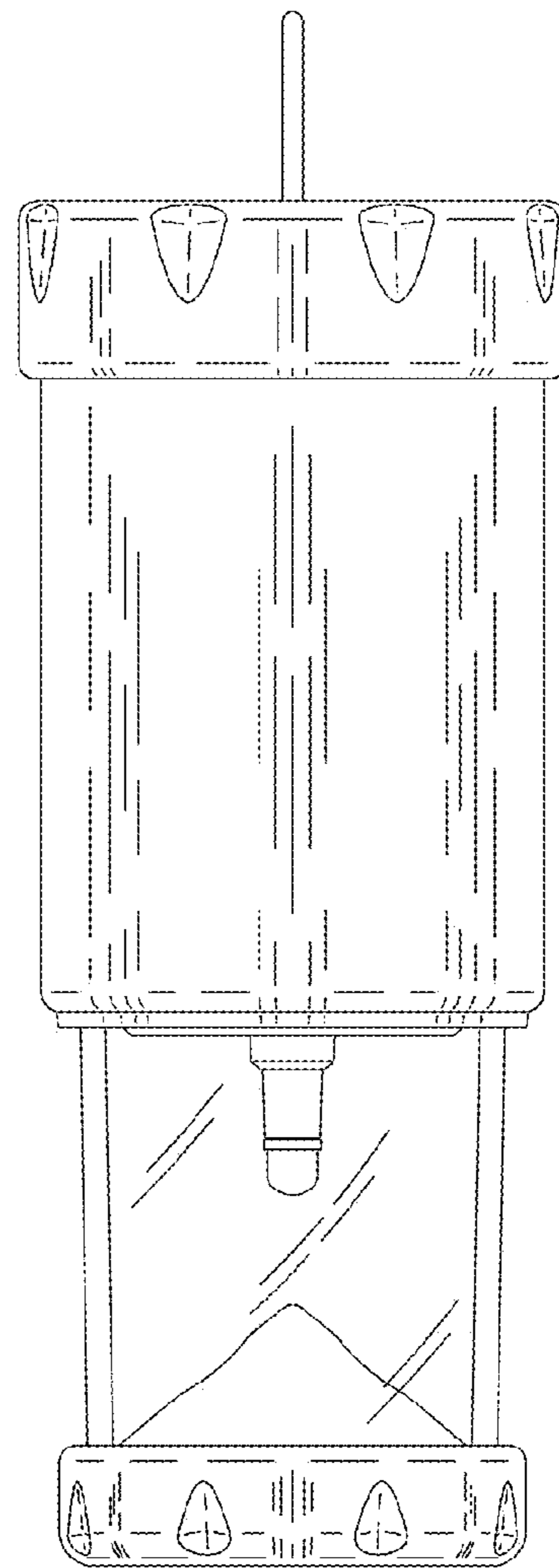


FIG. 15

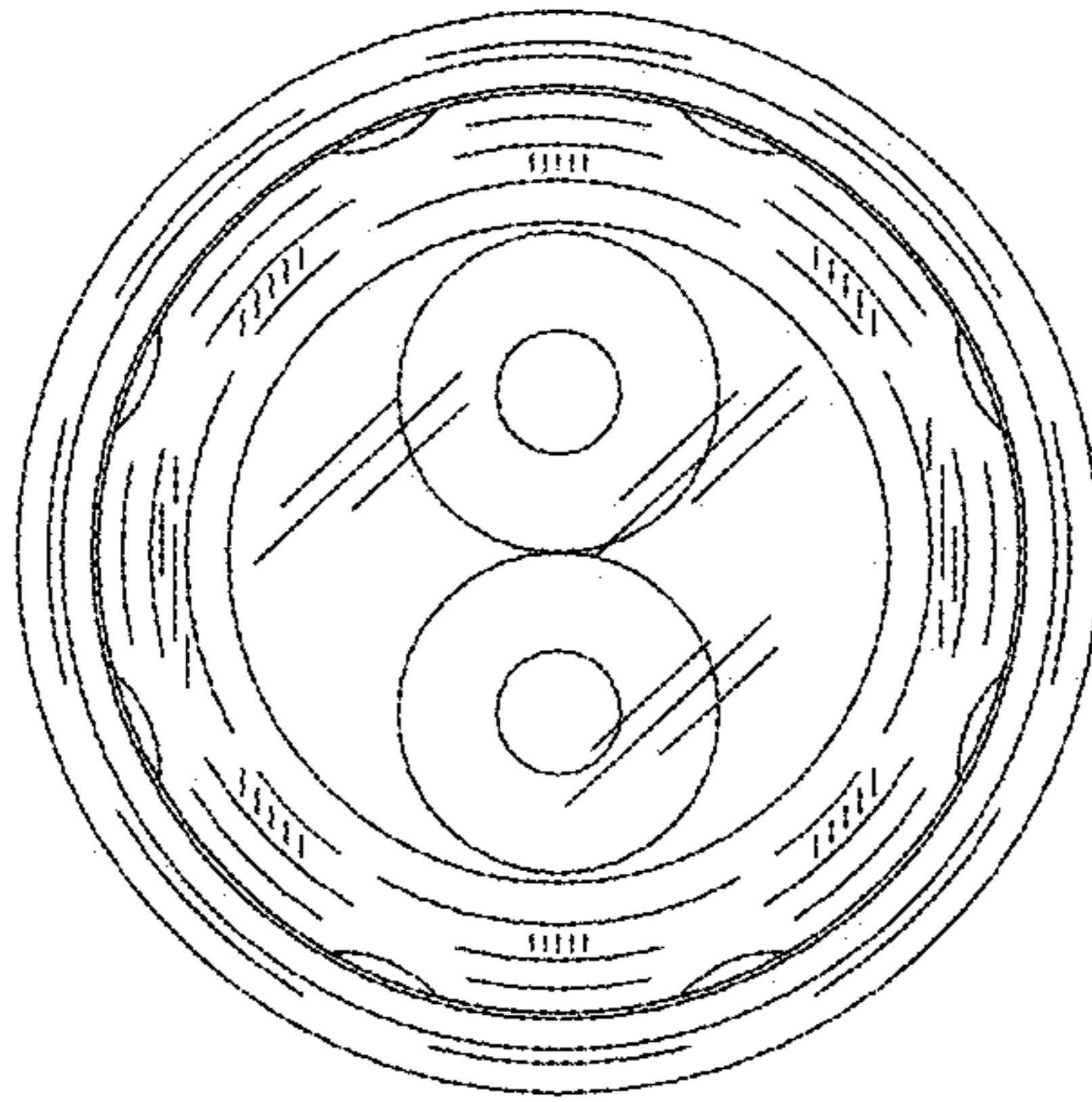


FIG. 16

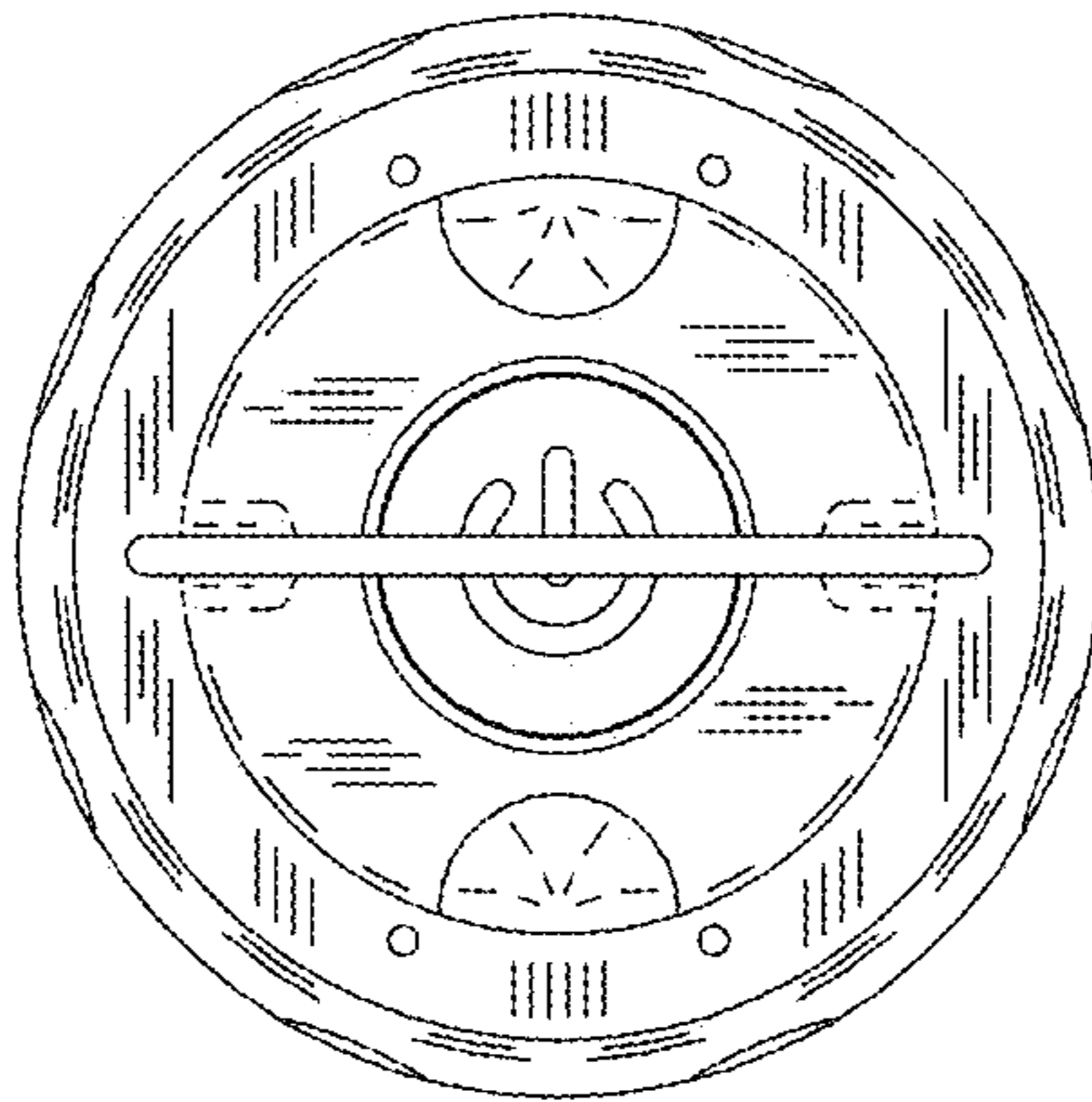


FIG. 17

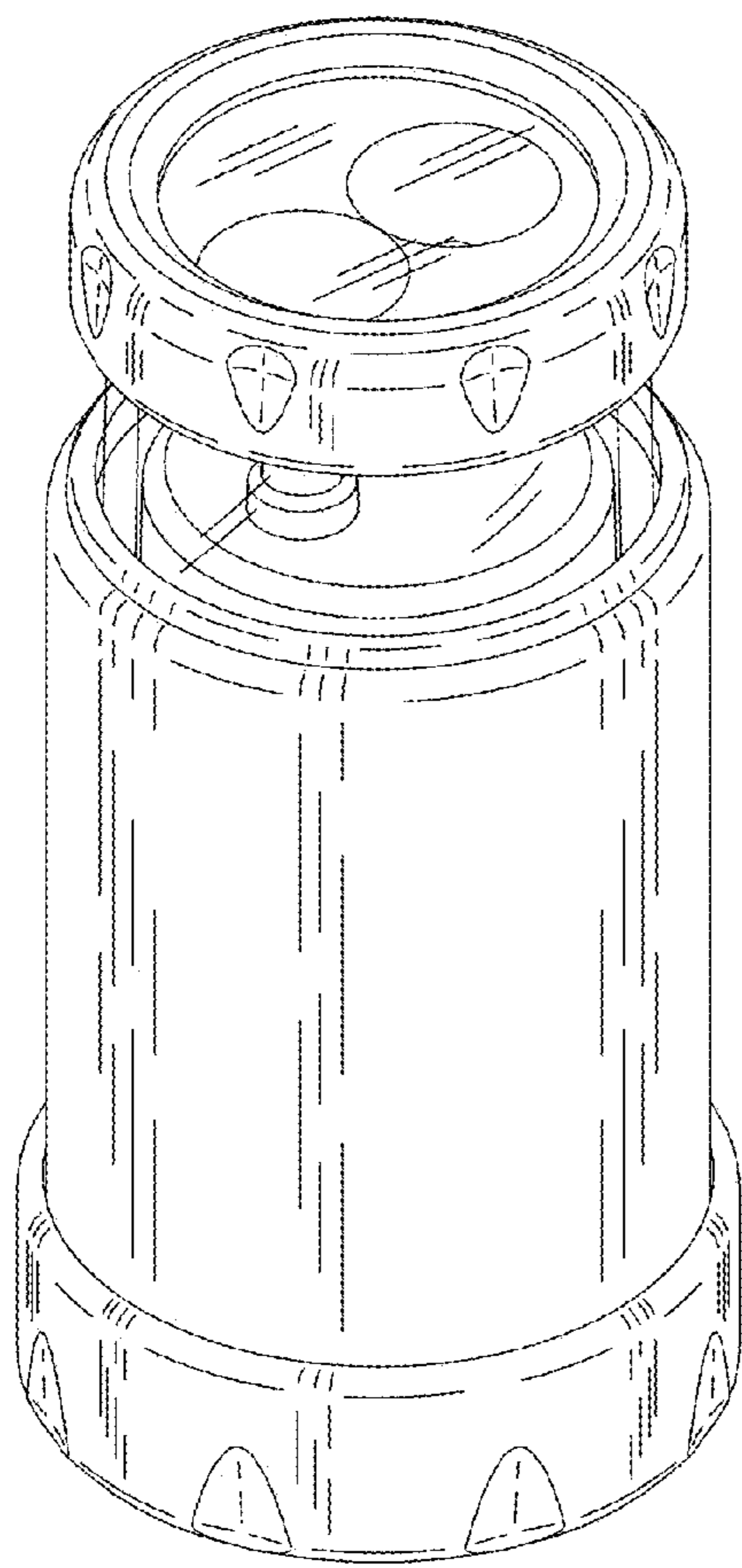


FIG. 18

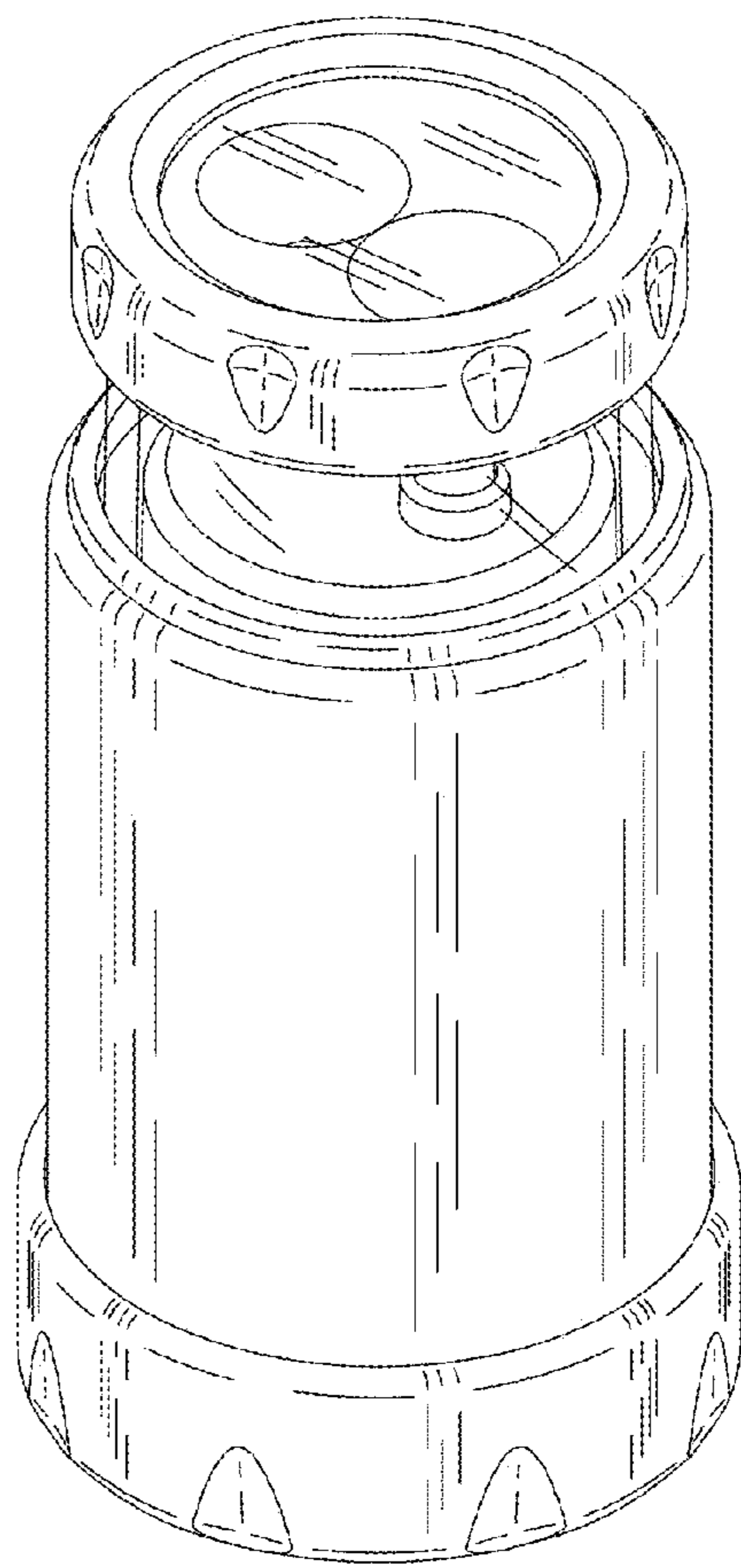


FIG. 19

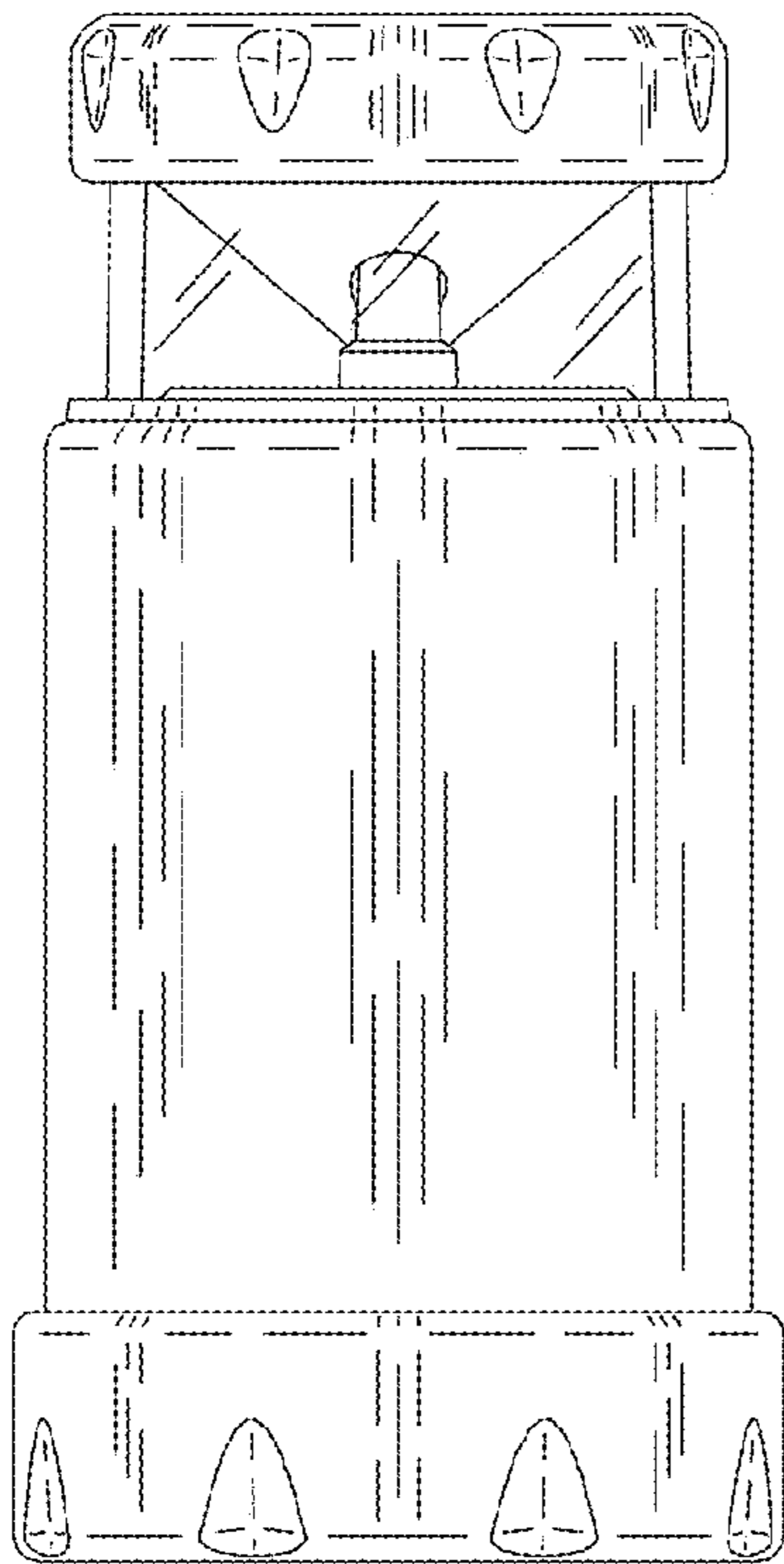


FIG. 20

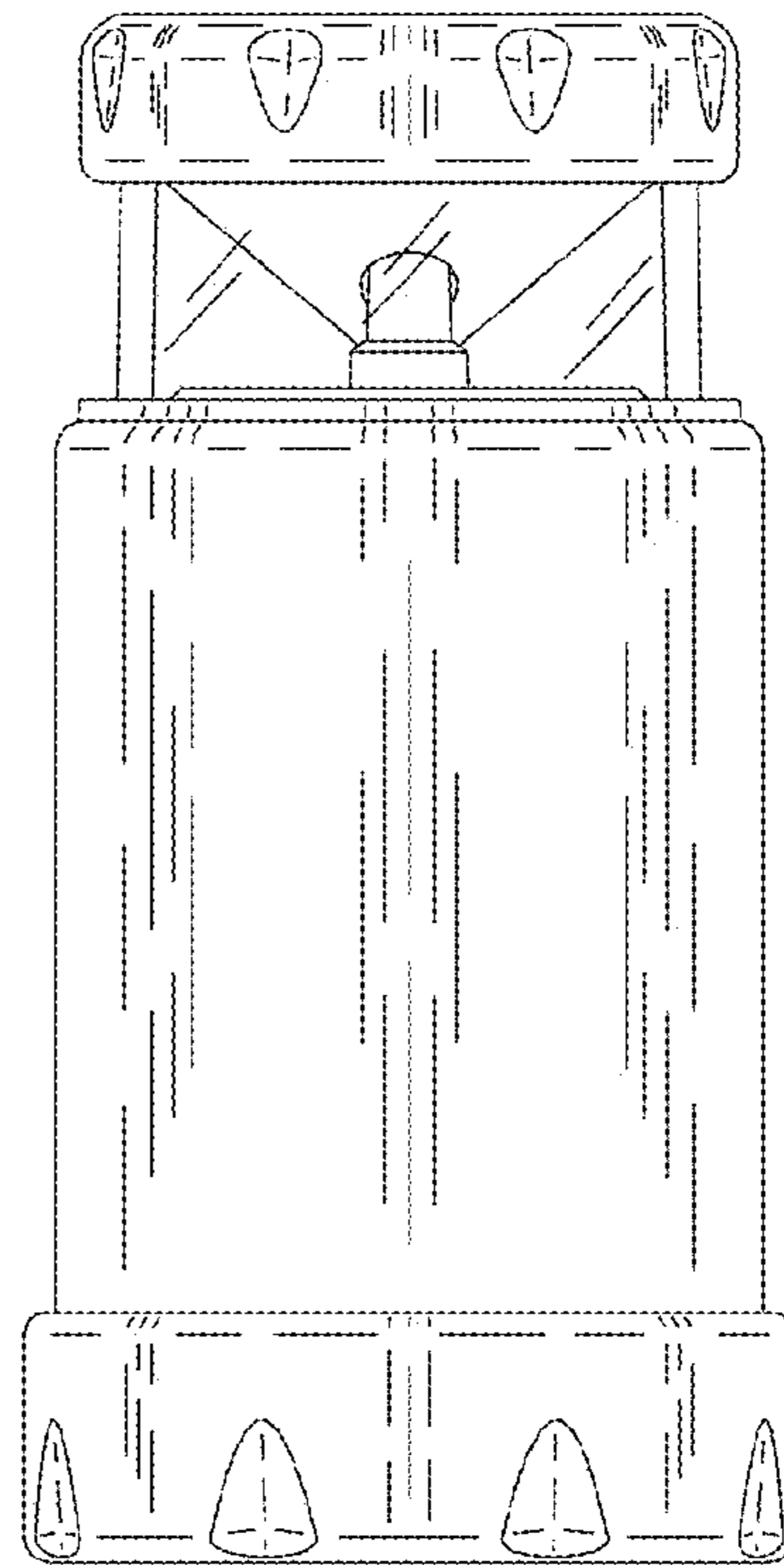


FIG. 21

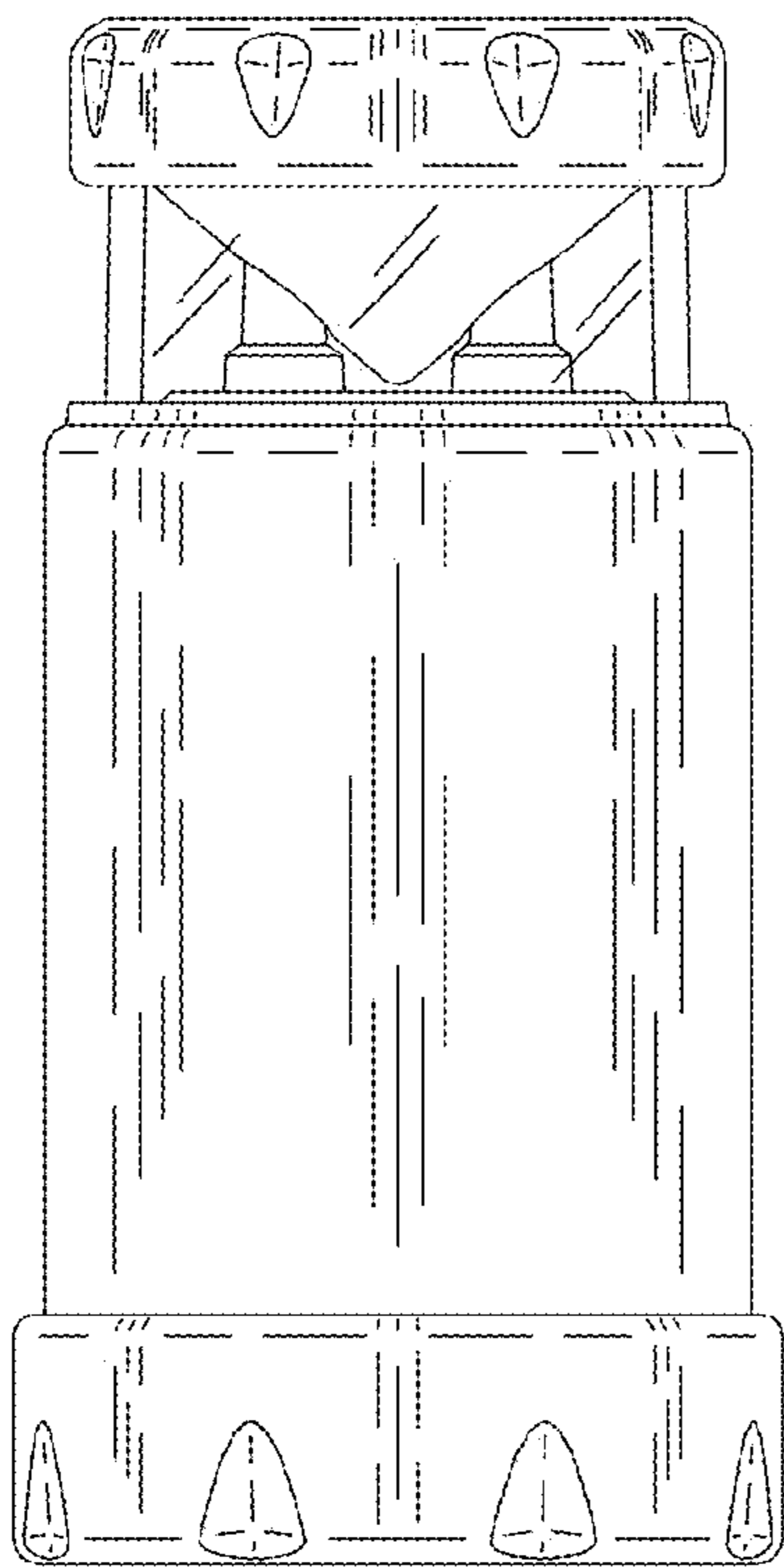


FIG. 22

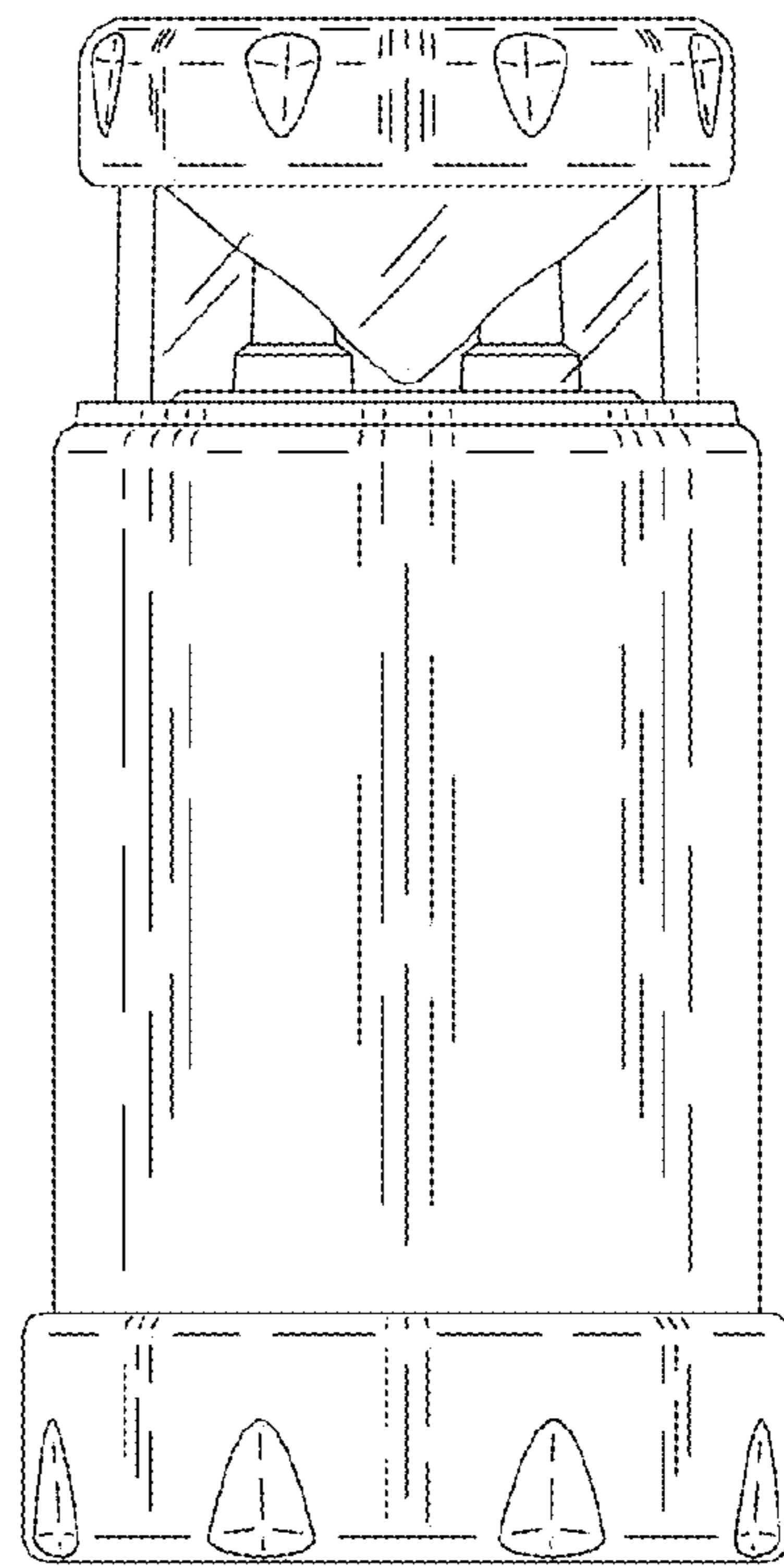


FIG. 23

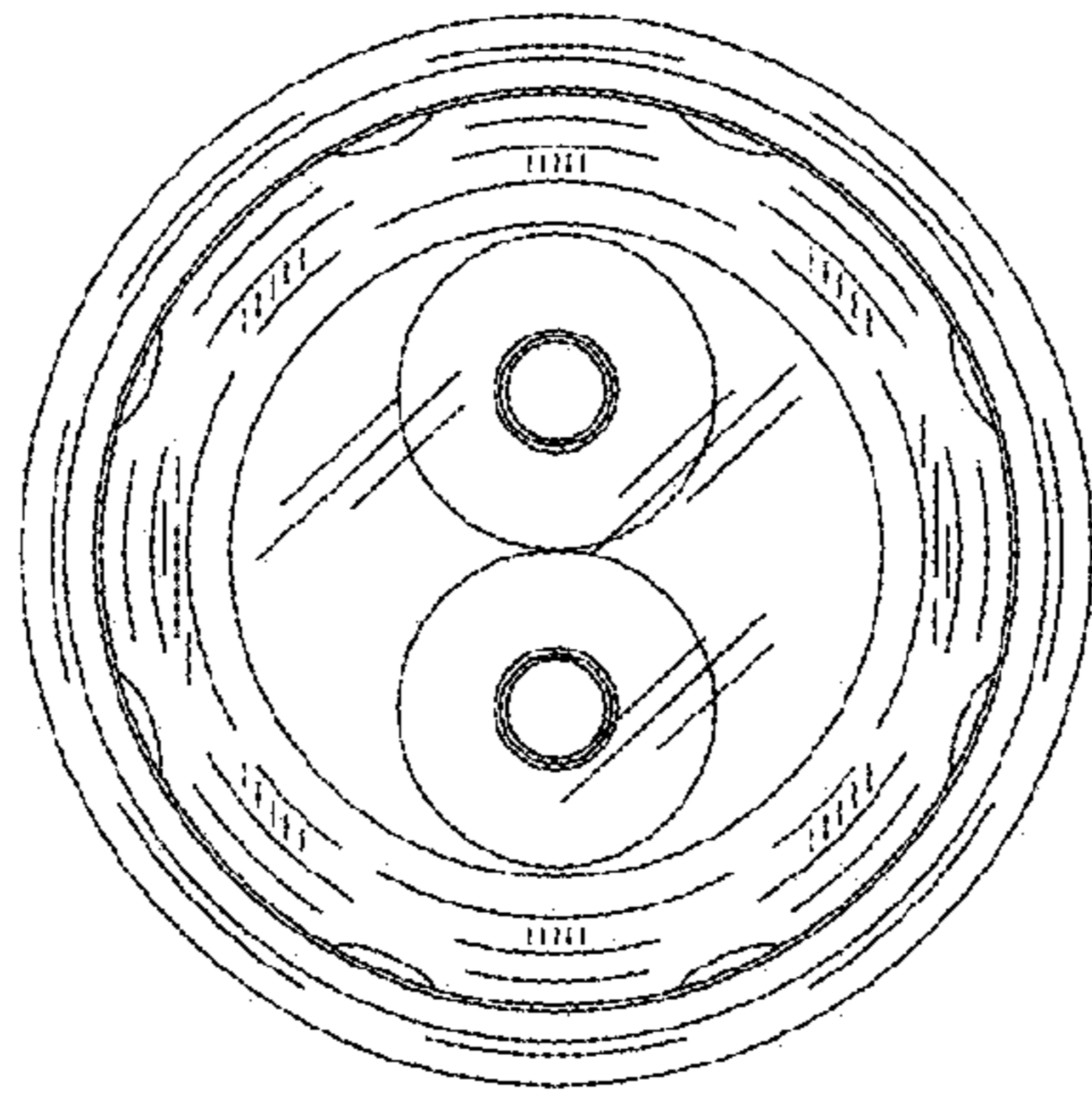


FIG. 24

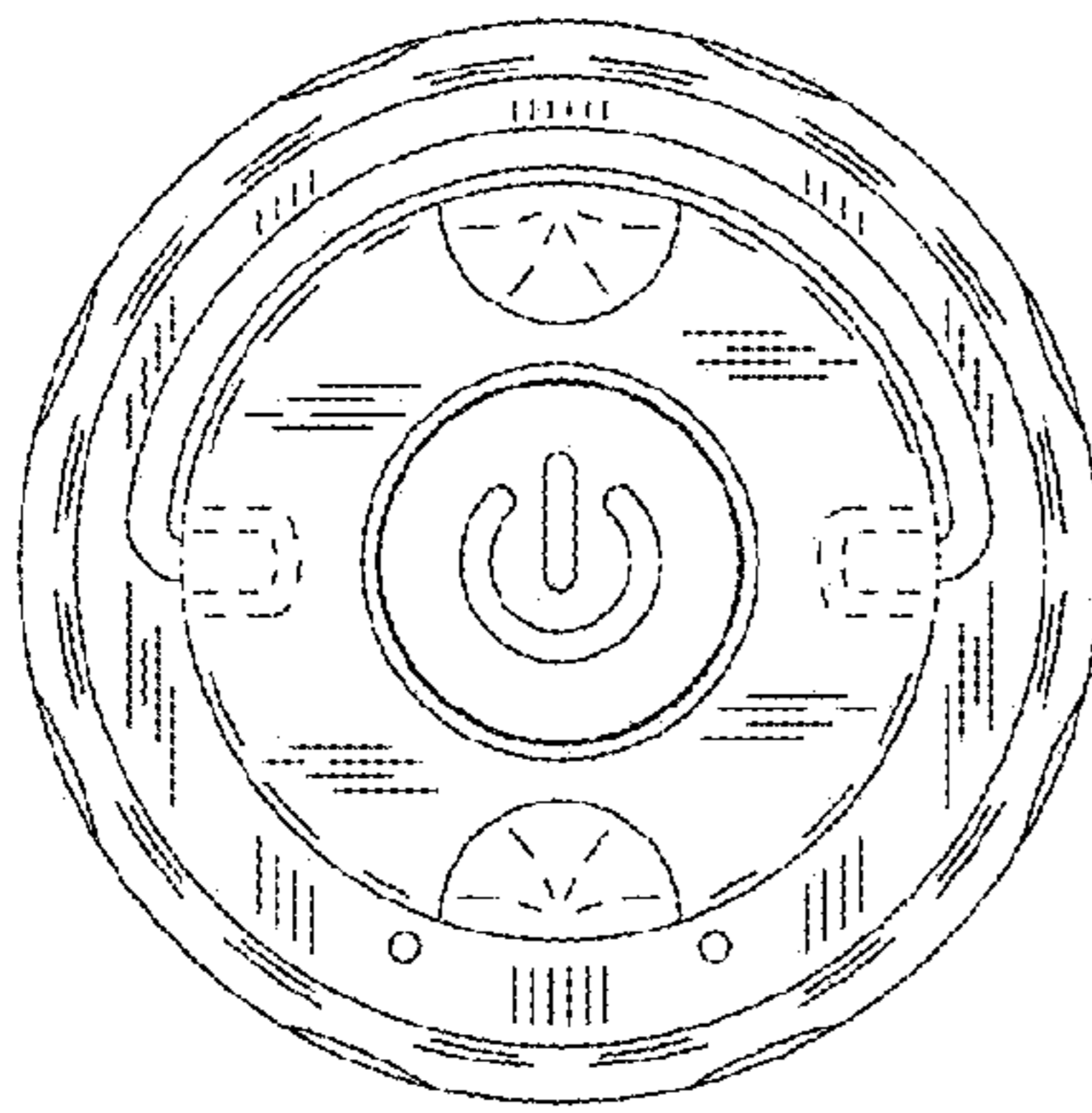


FIG. 25

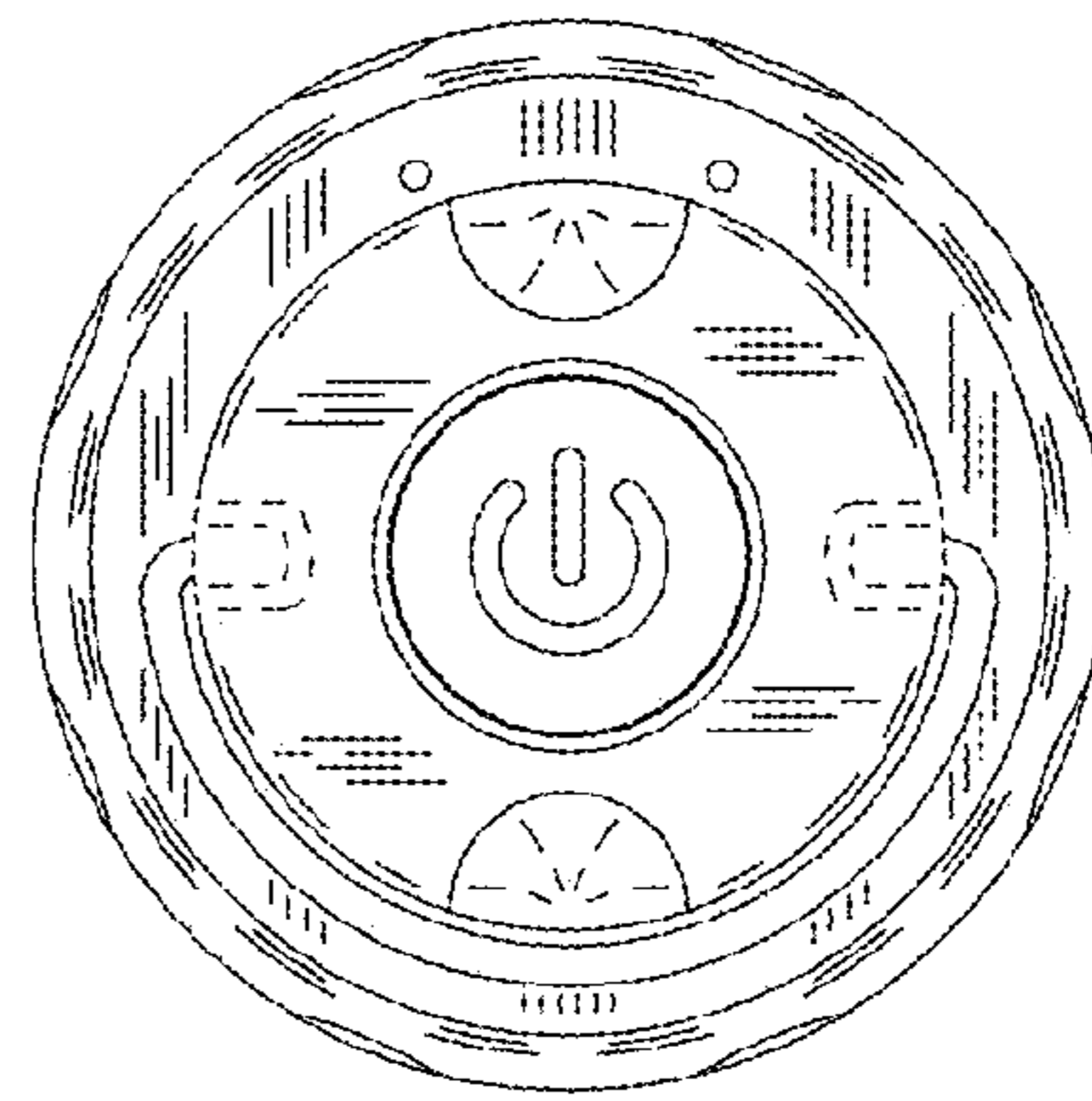


FIG. 26

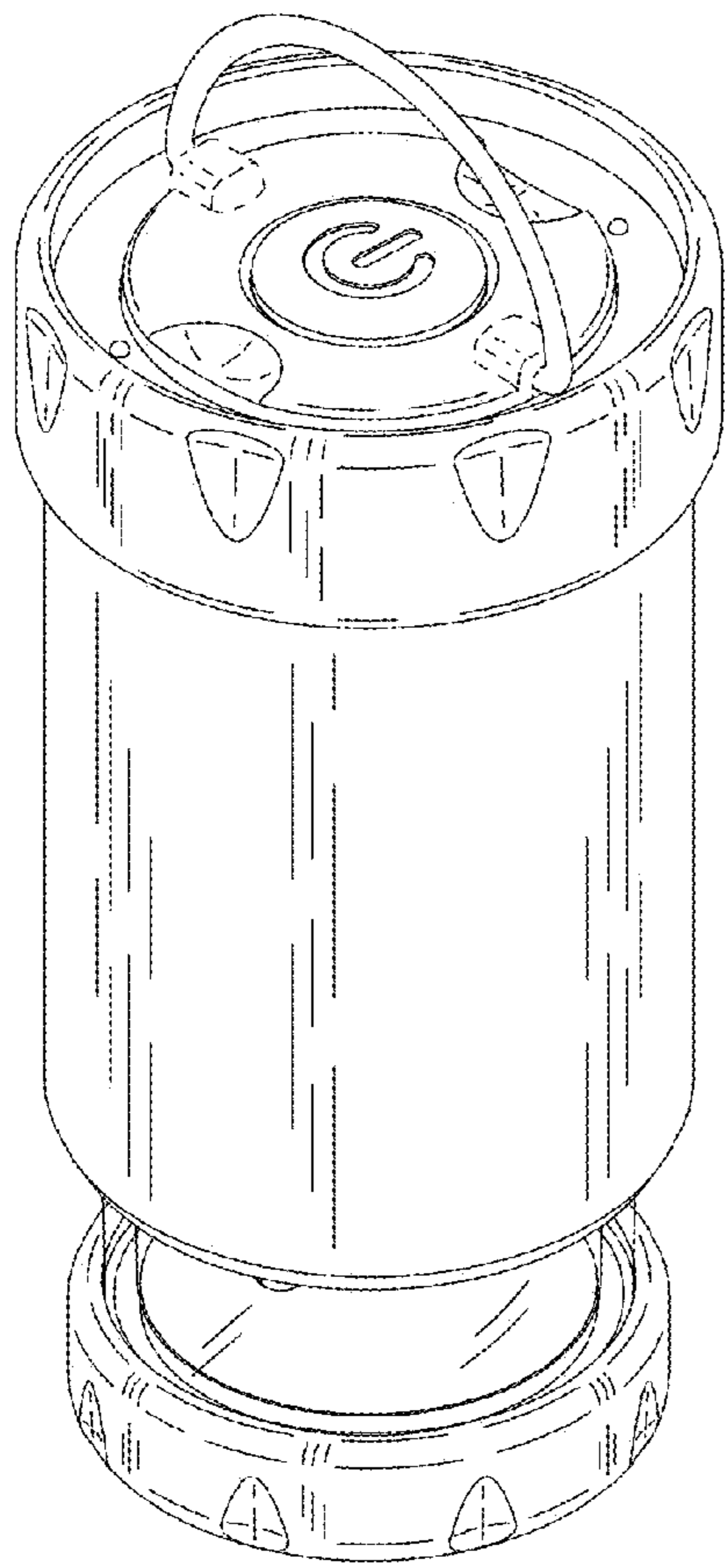


FIG. 27

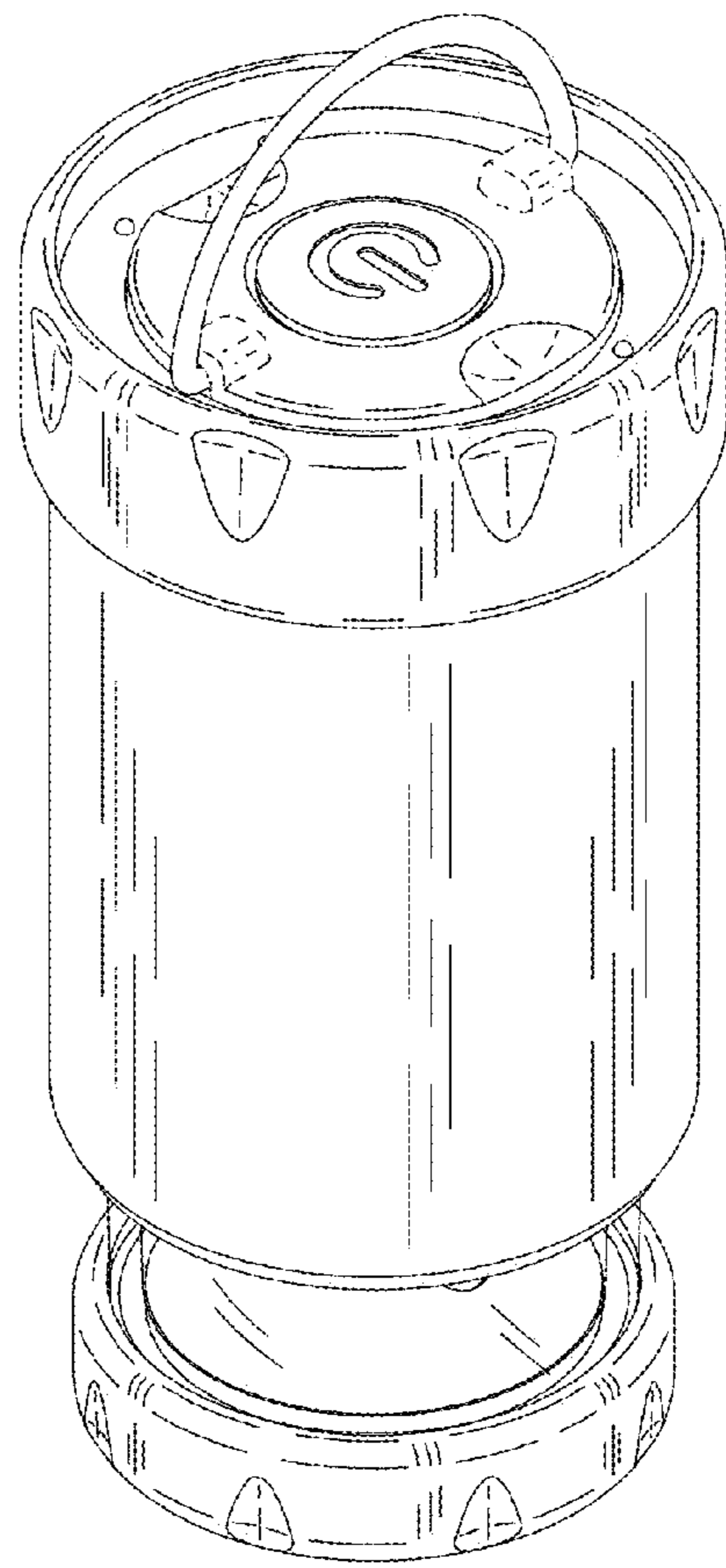


FIG. 28

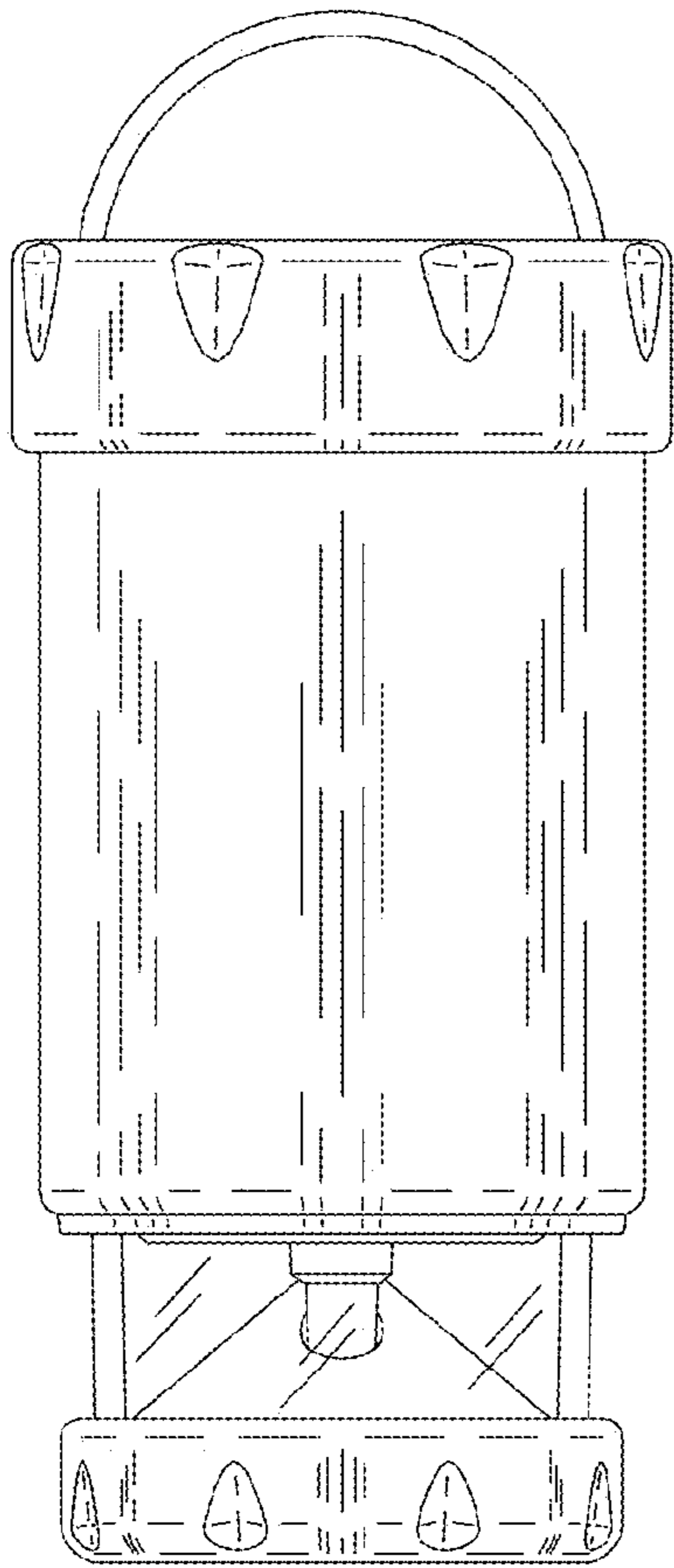


FIG. 29

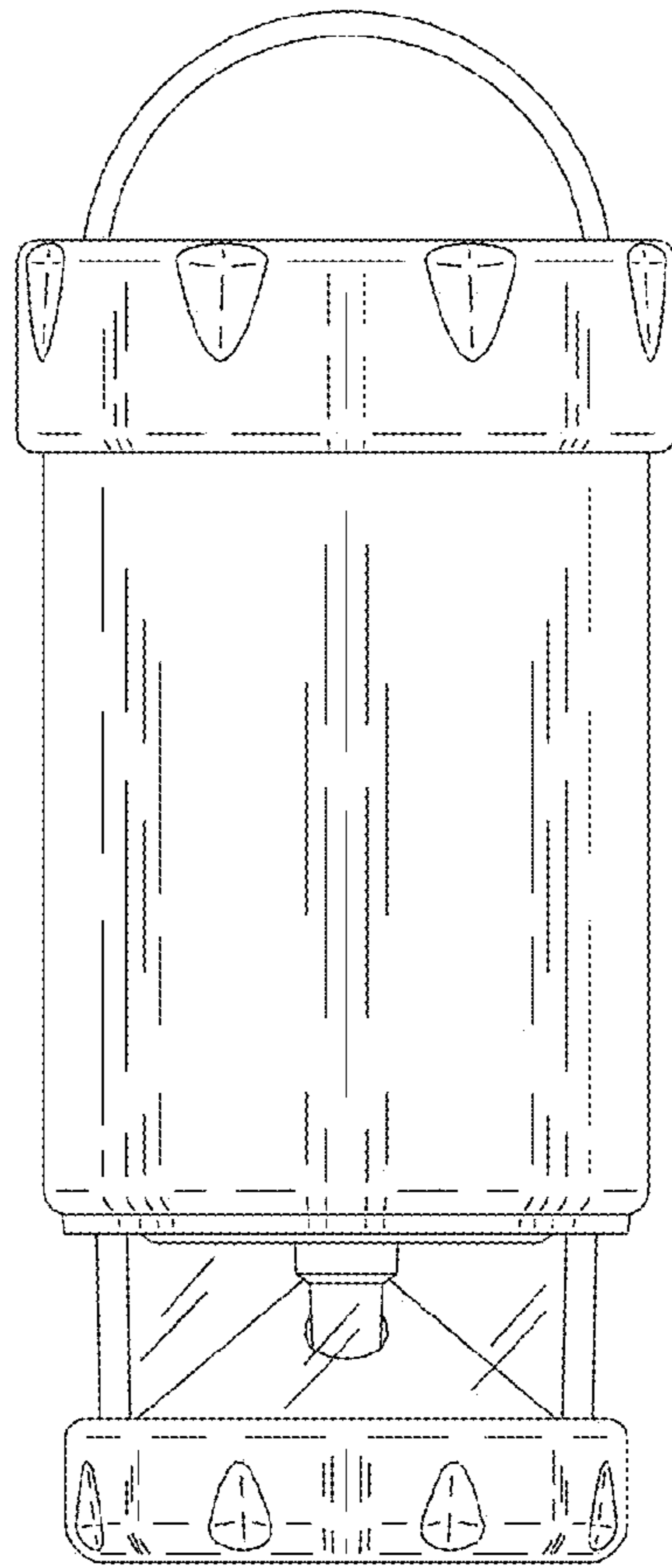


FIG. 30

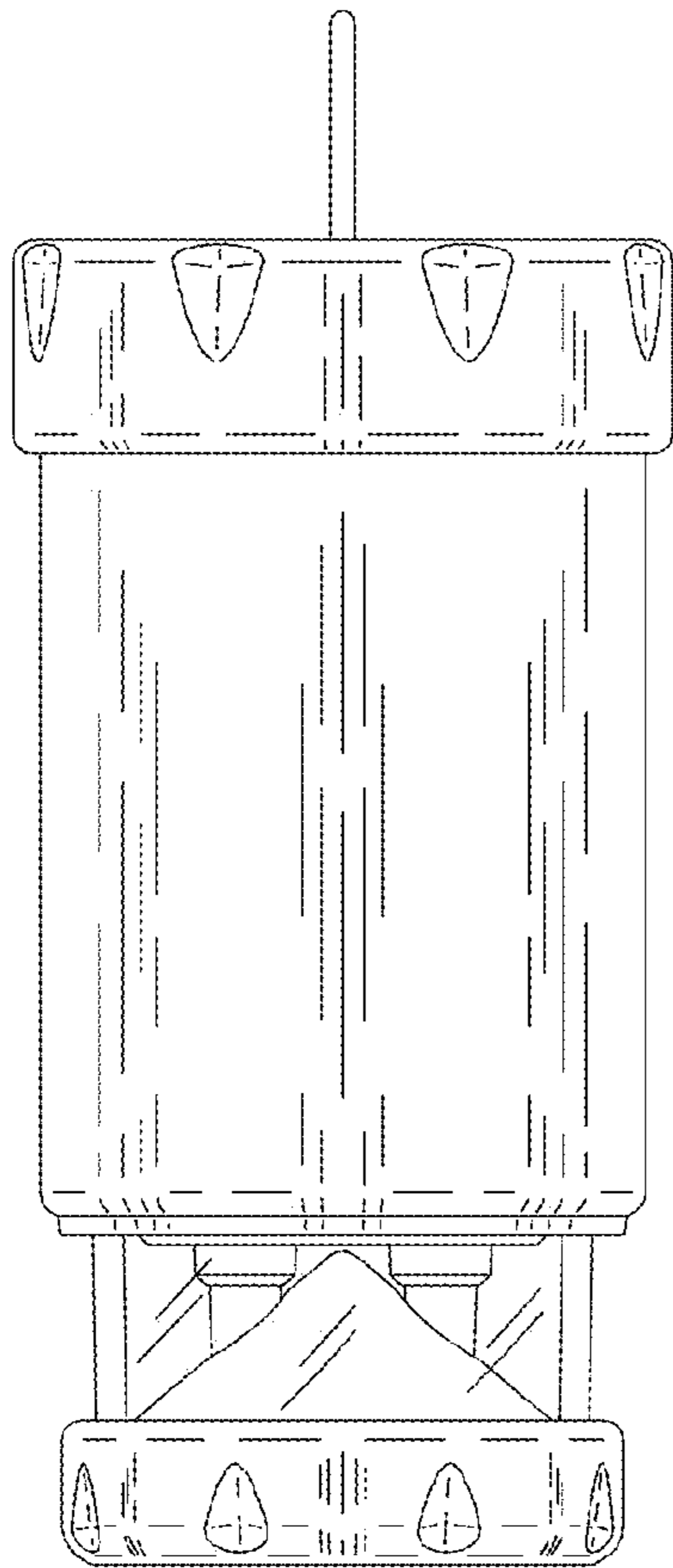


FIG. 31

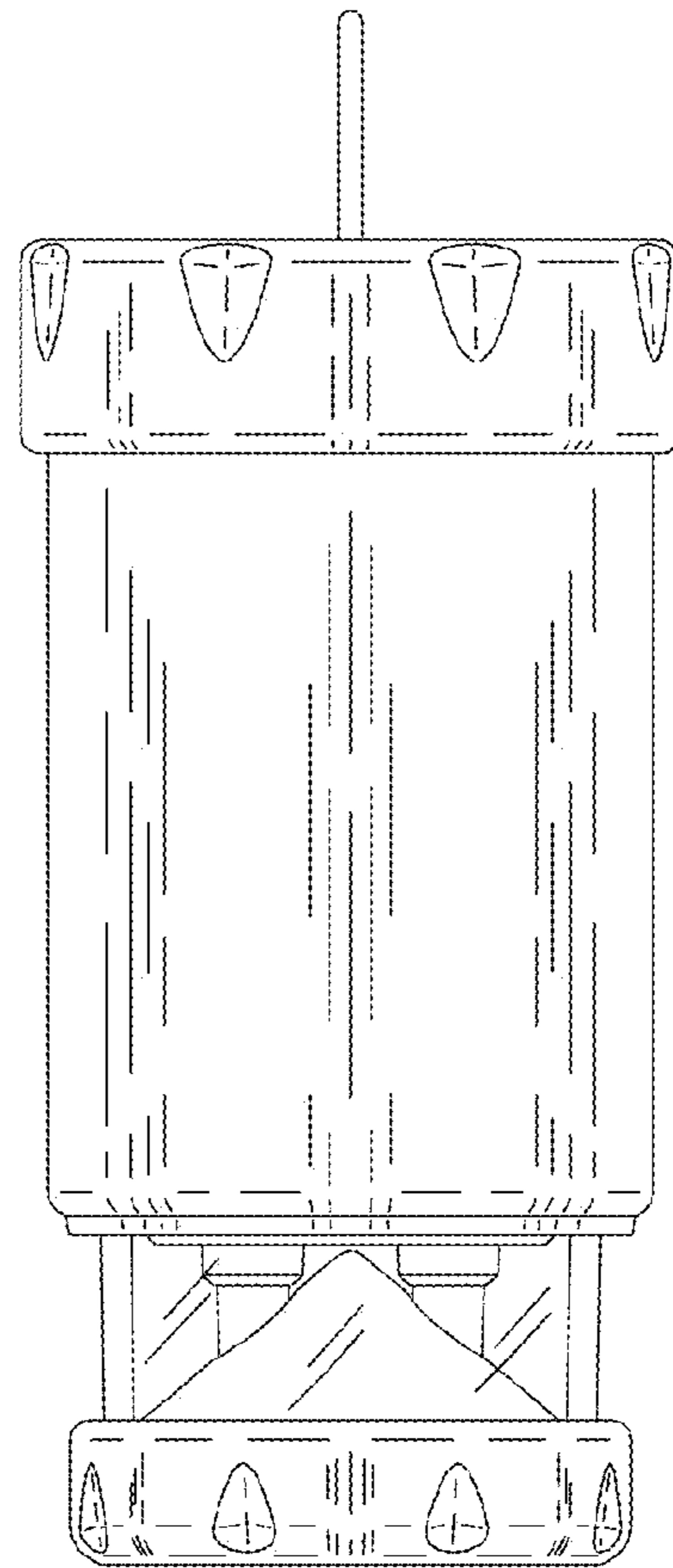


FIG. 32

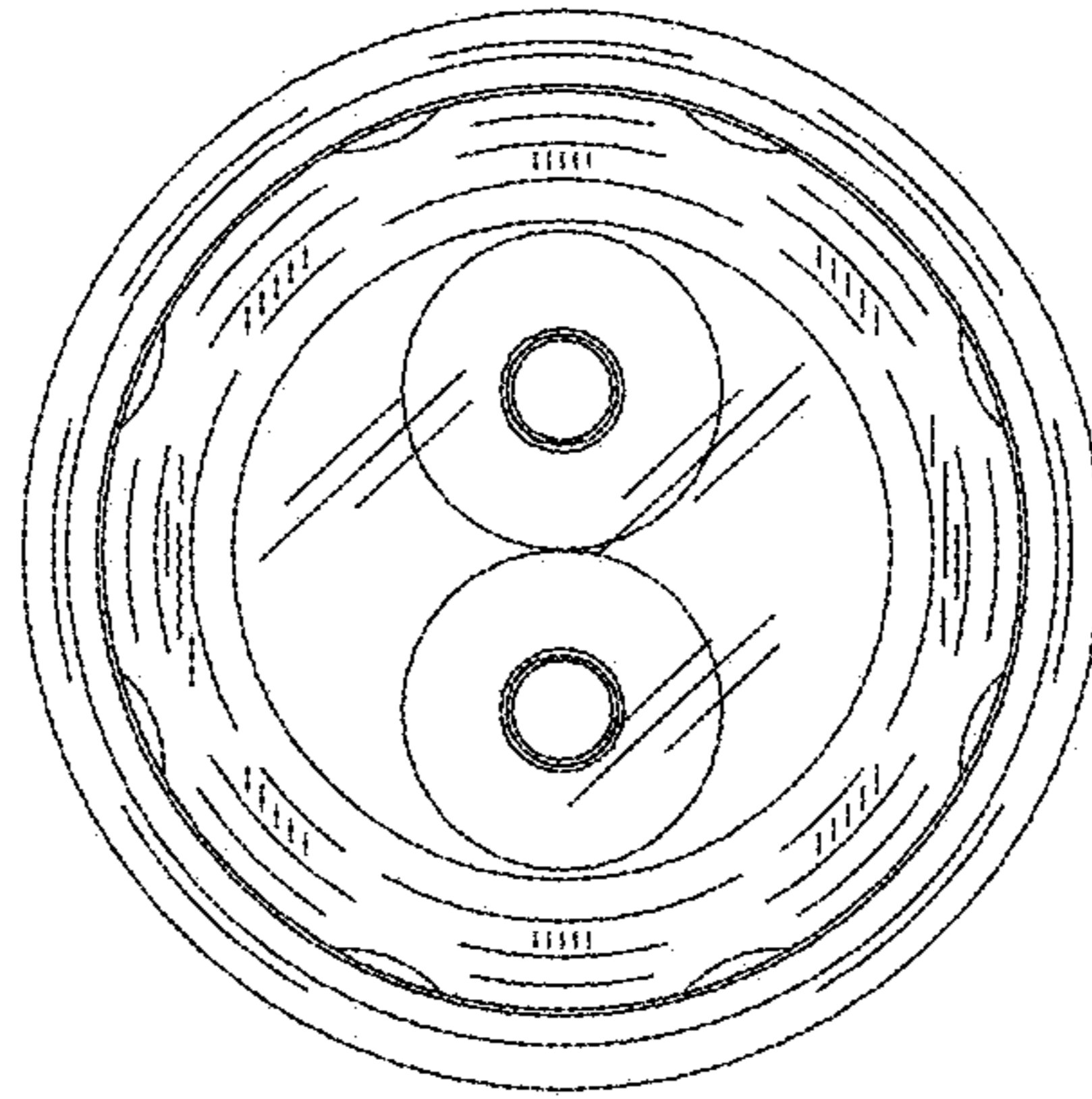


FIG. 33

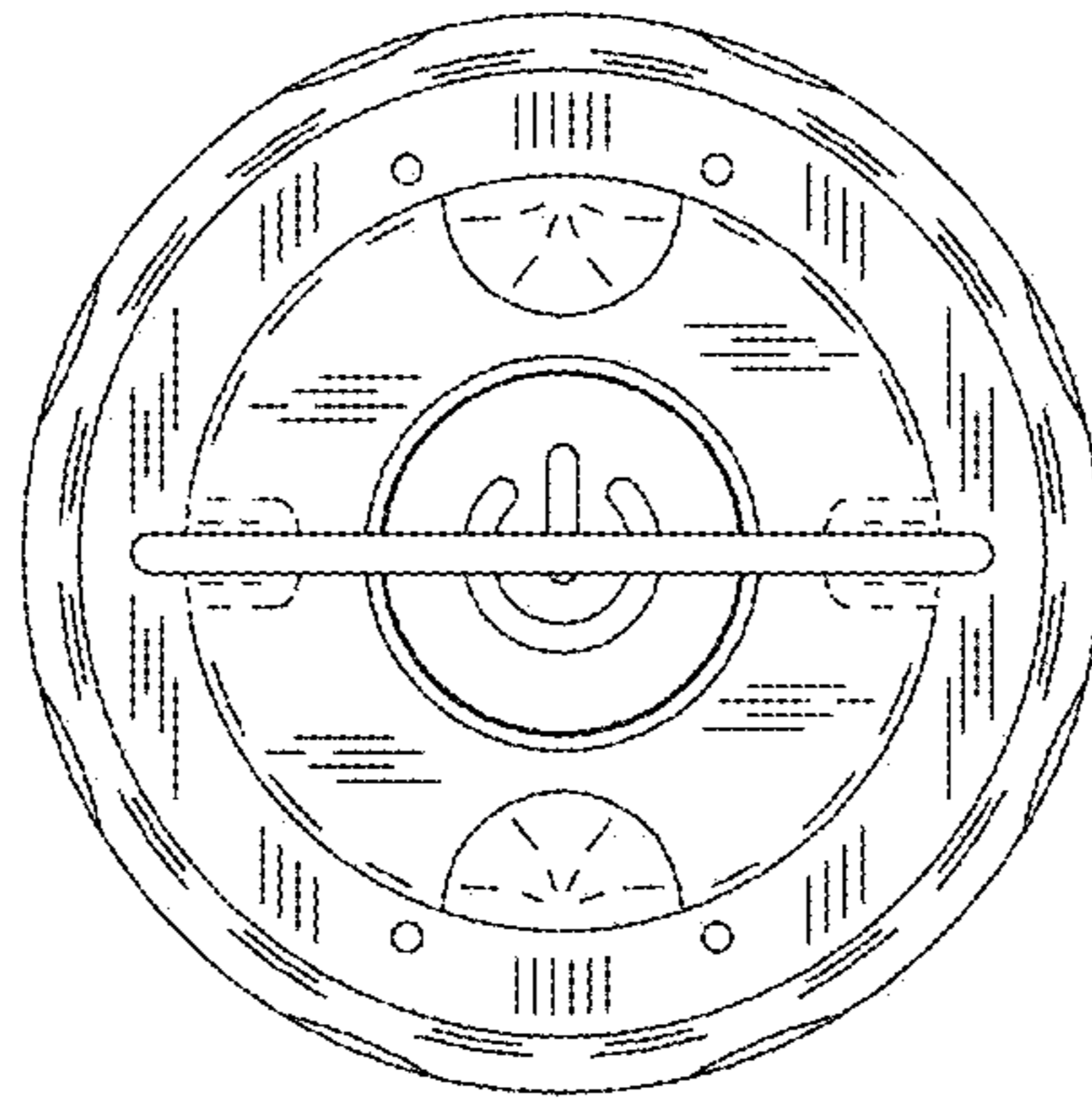


FIG. 34