



US00D747020S

(12) **United States Design Patent**
Chouprinov et al.

(10) **Patent No.:** **US D747,020 S**
(45) **Date of Patent:** **** Jan. 5, 2016**

(54) **COMBINED FLASHLIGHT AND STUN GUN**

(71) Applicants: **Pavel Chouprinov**, Johns Creek, GA
(US); **Vladimir Chouprinov**, Johns
Creek, GA (US)

(72) Inventors: **Pavel Chouprinov**, Johns Creek, GA
(US); **Vladimir Chouprinov**, Johns
Creek, GA (US)

(**) Term: **15 Years**

(21) Appl. No.: **29/536,045**

(22) Filed: **Aug. 12, 2015**

Related U.S. Application Data

(62) Division of application No. 29/473,298, filed on Nov.
20, 2013, now Pat. No. Des. 739,060.

(51) **LOC (10) CL.** **26-02**

(52) **U.S. CL.**
USPC **D26/38; D22/117**

(58) **Field of Classification Search**
USPC D26/37, 38, 40, 46, 49, 51; 362/158,
362/157, 183, 184, 194-196, 200-208,
362/253; D22/117-120; D28/88-89
CPC F21L 2/00; F21L 4/00; F21L 4/005;
F21L 17/00; F21L 13/08; F21L 2003/00;
F21L 2005/00; F21V 33/00; F21V 14/025;
F21V 21/406; F21Y 2101/02

See application file for complete search history.

(56) **References Cited**

U.S. PATENT DOCUMENTS

D532,138 S * 11/2006 Wang D26/49
D577,845 S * 9/2008 Shiu D26/49
D599,928 S * 9/2009 Shiu D26/49
D646,346 S 10/2011 Rae
D647,232 S * 10/2011 Liu D26/49
D647,654 S * 10/2011 Li D26/49
D671,249 S * 11/2012 Sheikh D26/38
D674,943 S 1/2013 Sheikh et al.
D688,402 S * 8/2013 Roshak D26/49

D690,383 S 9/2013 Sheikh et al.
D691,691 S * 10/2013 Sheikh D22/117
D709,231 S * 7/2014 Nguyen D26/49
D709,232 S * 7/2014 Inskeep D26/49
D709,234 S * 7/2014 Inskeep D26/49
D710,526 S * 8/2014 Lee D26/49
D716,984 S * 11/2014 Inskeep D26/49
D719,694 S * 12/2014 Nawaz D22/117
D724,247 S 3/2015 Chouprinov et al.
D739,060 S * 9/2015 Chouprinov D22/117

OTHER PUBLICATIONS

Best Stun Gun, "Guard Dog Diablo Tactical Flashlight Stun Gun,"
Beststungun website, Accessed on Nov. 19, 2013, available at <http://www.beststungun.com/diablo-flashlight-stun-gun.html>.
Stun Guns USA, "Guard Dog Mini 3.9 Million Volt Flashlight Stun
Gun," Accessed on Nov. 19, 2013, available at <http://www.stunguns-usa.com/stun-gun-flashlights>.

* cited by examiner

Primary Examiner — Ian Simmons

Assistant Examiner — Carissa C Fitts

(74) *Attorney, Agent, or Firm* — American Patent Agency
PC; Daniar Hussain; Brian C. Smith

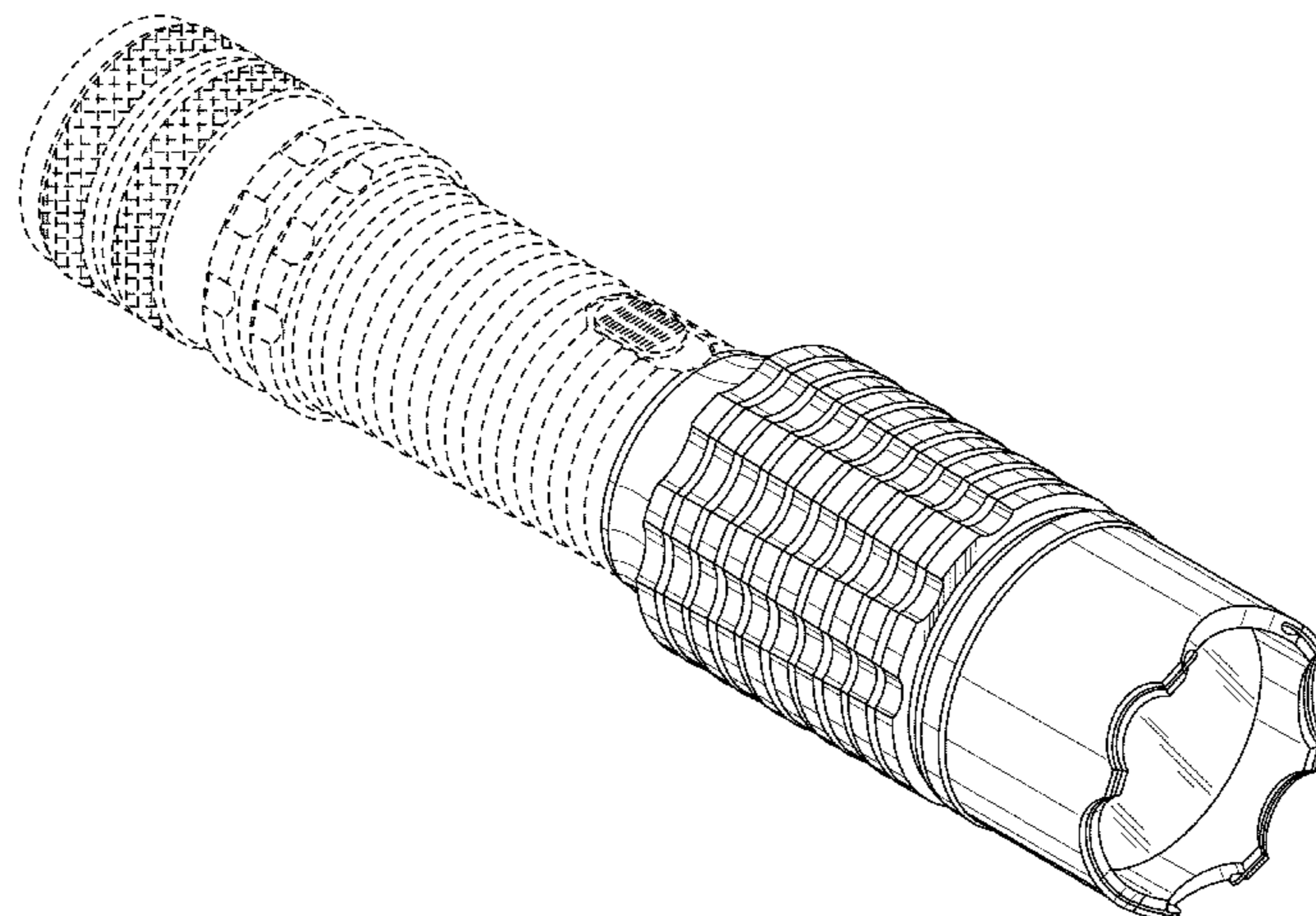
(57) **CLAIM**

The ornamental design for a combined flashlight and stun
gun, as shown and described.

DESCRIPTION

FIG. 1 is a perspective view of a combined flashlight and stun
gun, showing our novel design;
FIG. 2 is a top view thereof;
FIG. 3 is a bottom view thereof;
FIG. 4 is a right side view thereof;
FIG. 5 is a front view thereof;
FIG. 6 is a left side view thereof; and,
FIG. 7 is a rear view thereof.
The broken lines in FIGS. 1-7 represent unclaimed portions
of the combined flashlight and stun gun, and form no part of
the claimed design.

1 Claim, 3 Drawing Sheets



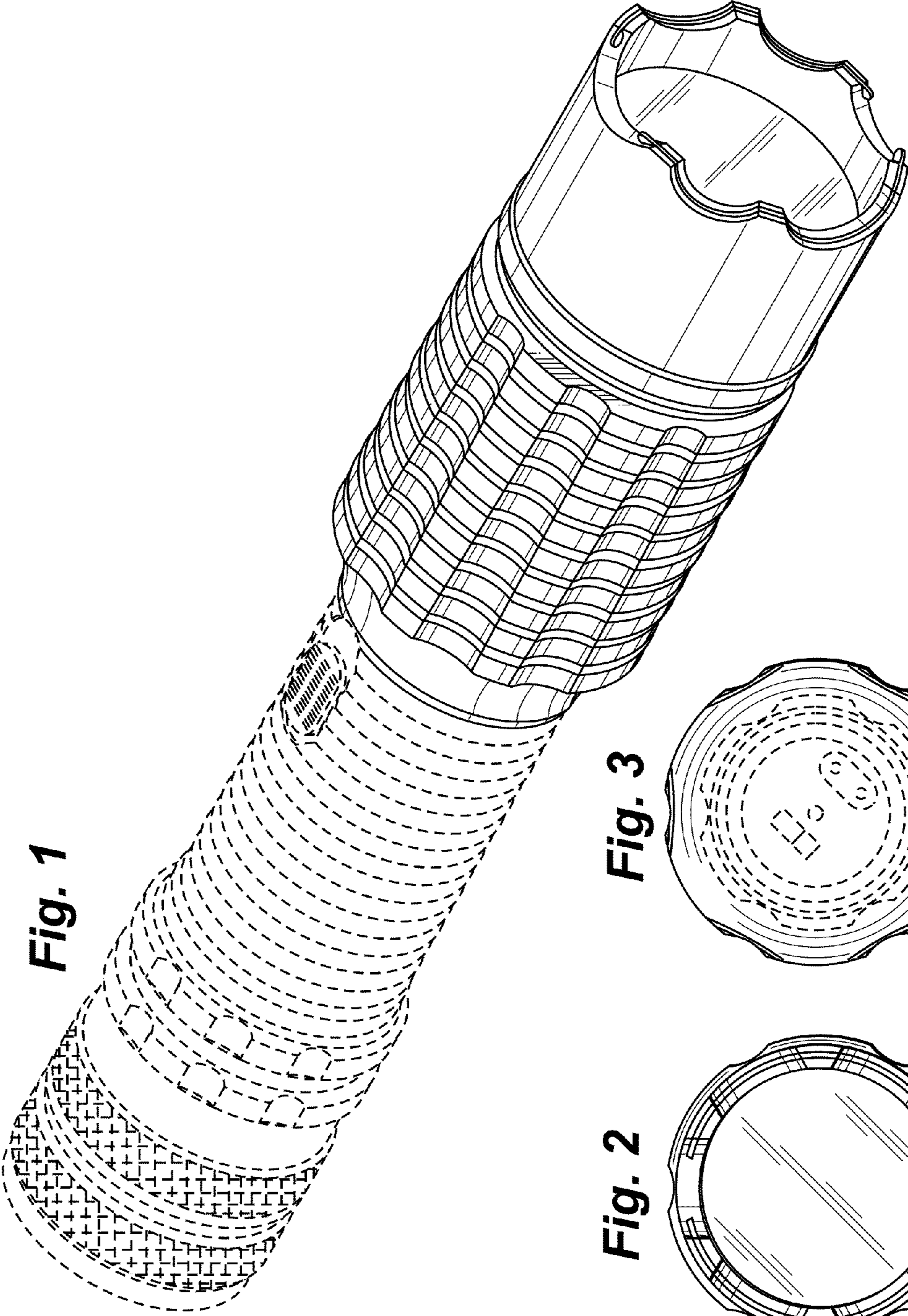


Fig. 1

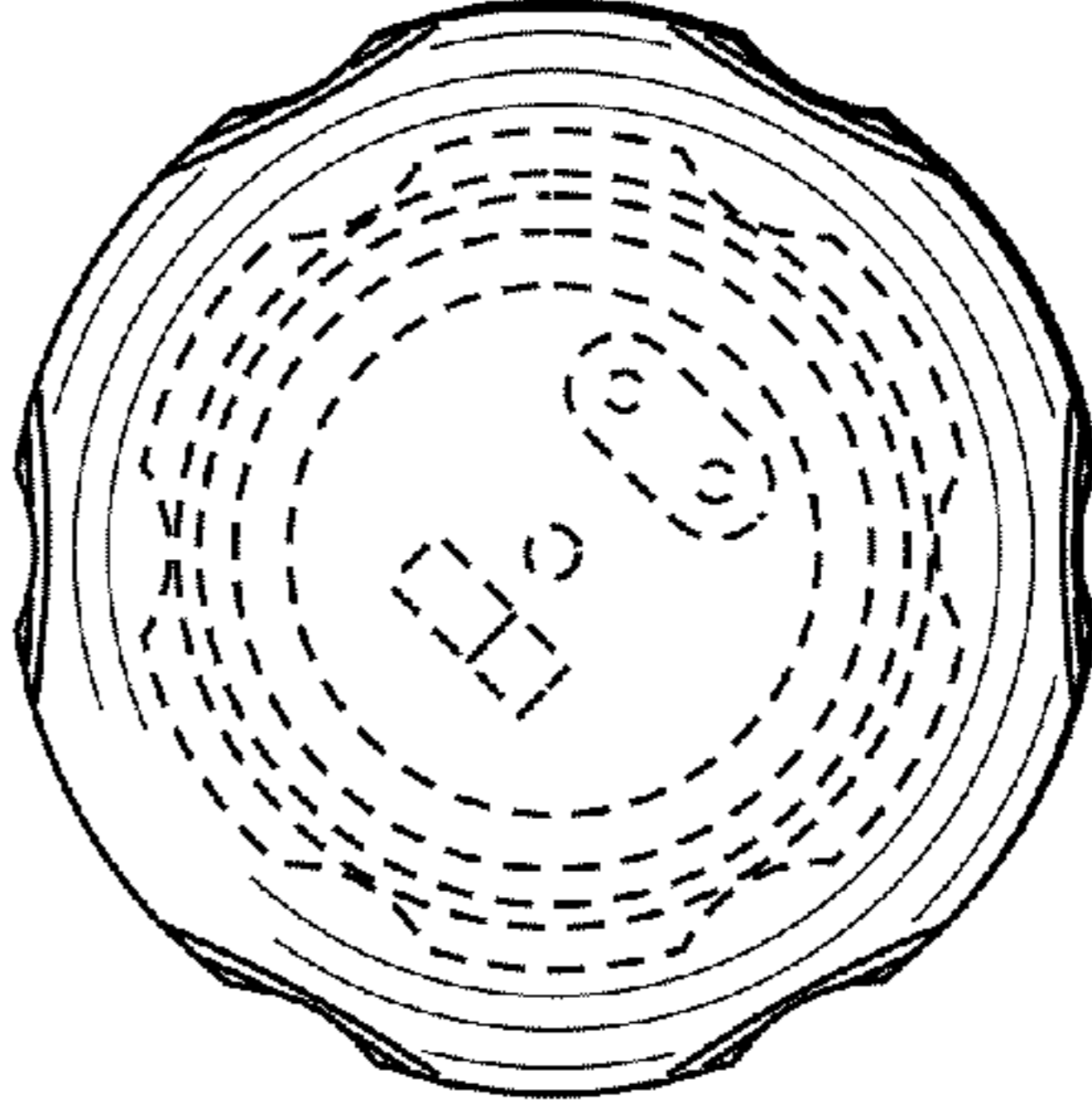


Fig. 3

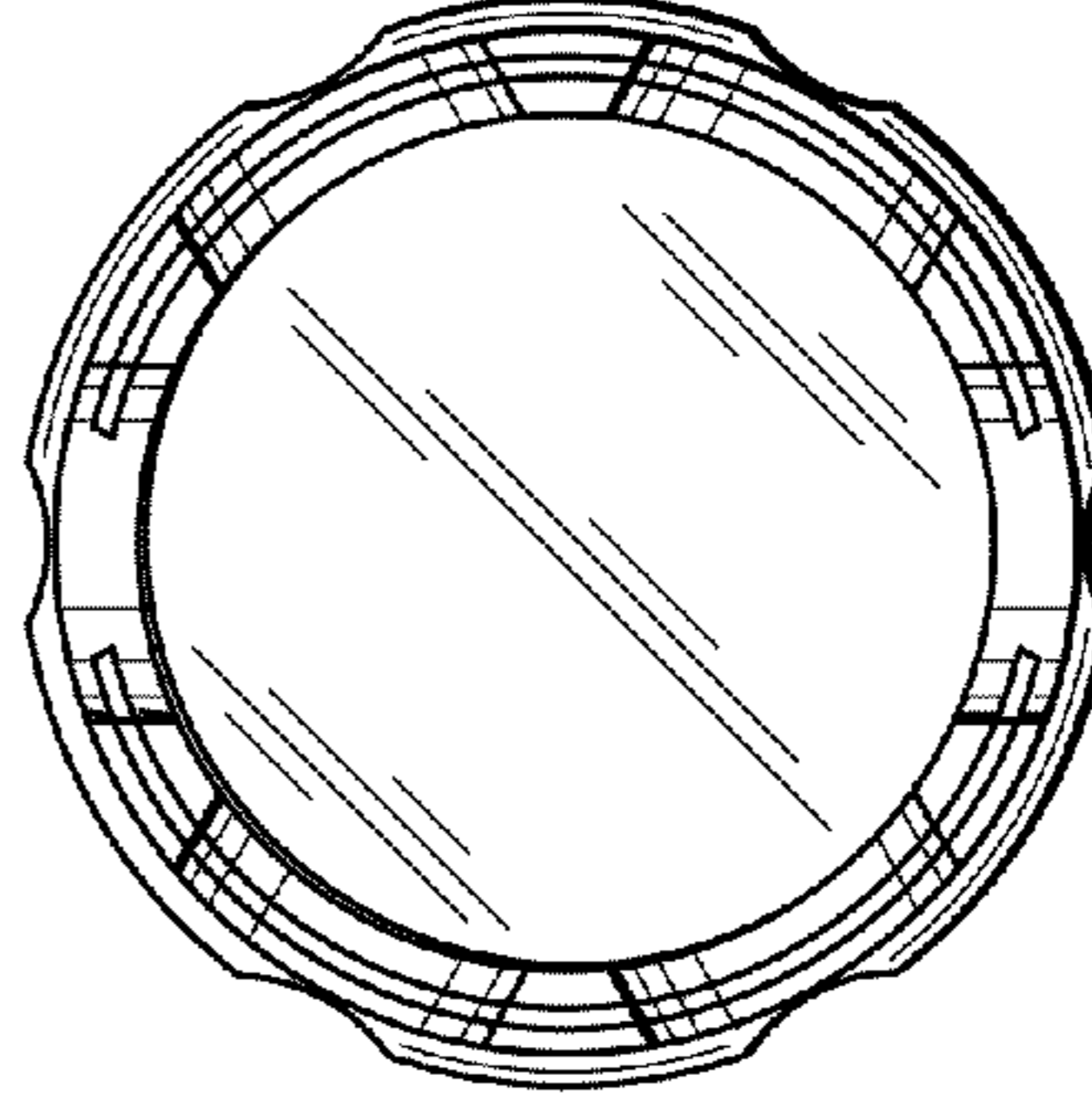


Fig. 2

Fig. 4

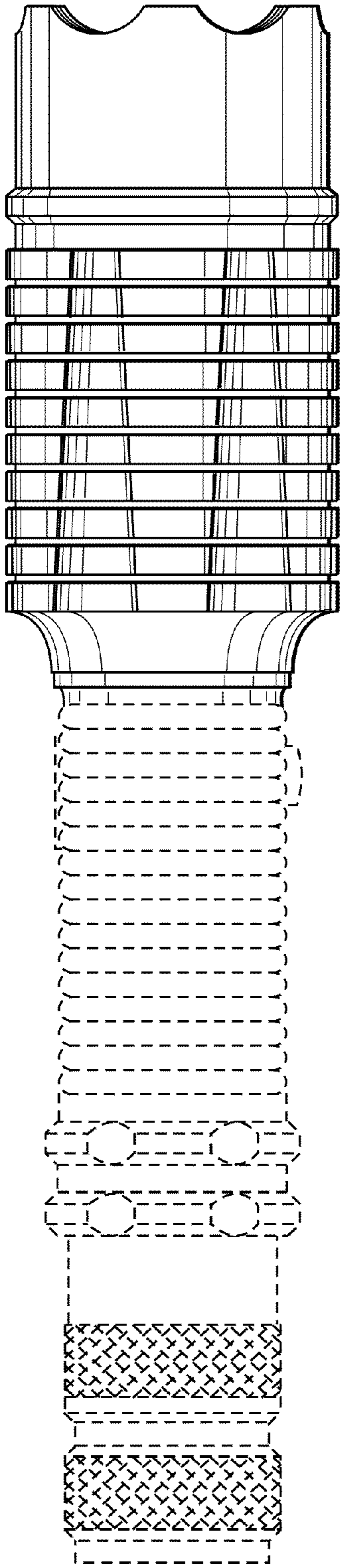


Fig. 5

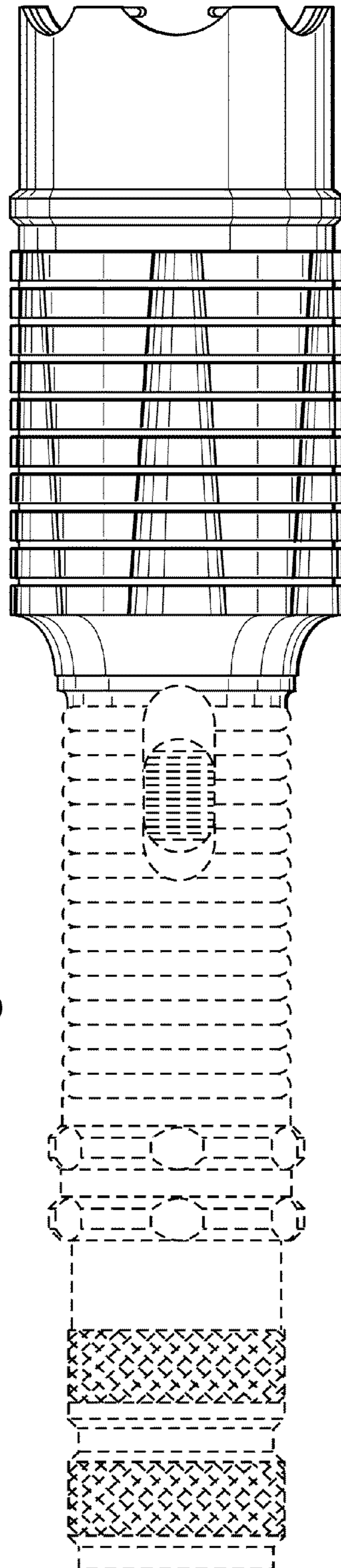


Fig. 6

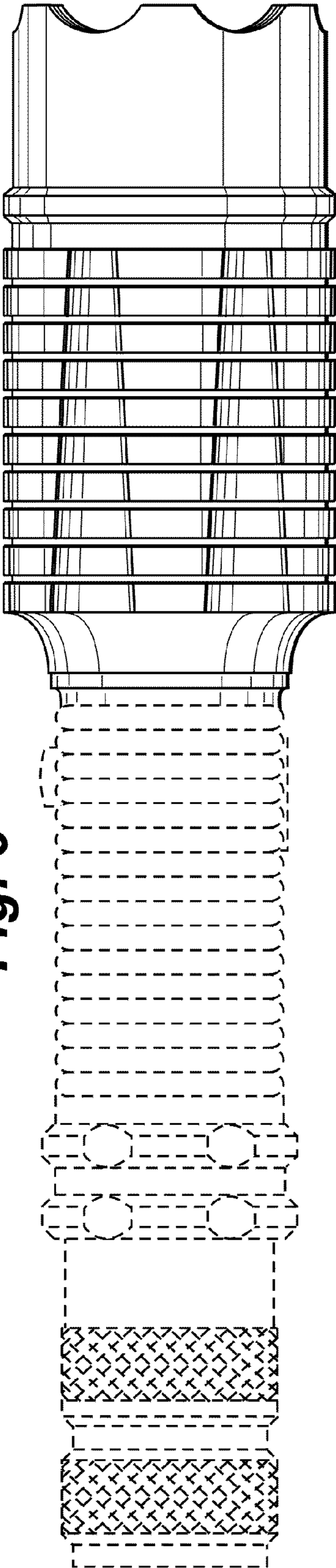


Fig. 7

