



US00D747017S

(12) **United States Design Patent**
Hanson et al.

(10) **Patent No.:** **US D747,017 S**
(45) **Date of Patent:** **** Jan. 5, 2016**

- (54) **HEADLIGHT**
- (71) Applicant: **Caterpillar Inc.**, Peoria, IL (US)
- (72) Inventors: **Eric Hanson**, Valparaiso, IN (US);
Christian Hardin, Waterford, MI (US);
Peter Vurpillat, Chicago, IL (US)
- (73) Assignee: **Caterpillar Inc.**, Peoria, IL (US)
- (**) Term: **14 Years**
- (21) Appl. No.: **29/486,953**
- (22) Filed: **Apr. 4, 2014**
- (51) **LOC (10) Cl.** **26-06**
- (52) **U.S. Cl.**
USPC **D26/28**
- (58) **Field of Classification Search**
USPC D26/28-36, 113, 118, 121, 138-140;
362/362, 364-366, 368-373, 459-463,
362/473-478, 485-487, 538, 539,
362/546-549; D12/93, 96
CPC B62J 6/02; B62J 6/04; B60Q 1/0047;
B60Q 1/18; B60Q 1/2696; B60Q 1/46;
F21S 48/1233; F21S 48/10; F21S 48/335;
F21S 48/00; F21S 48/1258
See application file for complete search history.

- (56) **References Cited**
U.S. PATENT DOCUMENTS
D185,688 S * 7/1959 Walker D26/139
D186,721 S * 11/1959 Walker D26/139
D286,031 S 10/1986 Breitschwerdt et al.
4,813,736 A 3/1989 Schubert et al.
5,984,037 A 11/1999 Duhem
D467,202 S 12/2002 Mondragon Sarmiento et al.
6,666,291 B2 12/2003 Hyslop et al.
D485,934 S * 1/2004 Tsai D26/139
D499,202 S * 11/2004 Tsai D26/139
D513,644 S * 1/2006 Ruzicka et al. D26/139
D534,284 S * 12/2006 Lin D26/28
D544,641 S * 6/2007 Elwell et al. D26/139

- D565,758 S * 4/2008 Conway et al. D26/28
- D566,867 S * 4/2008 Yang D26/28
- D582,587 S * 12/2008 Yang D26/28
- D608,498 S * 1/2010 Beigel et al. D26/139
- D618,836 S * 6/2010 Shim et al. D26/28
- D619,049 S 7/2010 Beigel et al.
- D623,091 S 9/2010 Beigel et al.
- D623,092 S 9/2010 Beigel et al.
- D632,224 S 2/2011 Peltola et al.
- D653,994 S 2/2012 Fukushima et al.
- D660,507 S * 5/2012 Davidson et al. D26/139

(Continued)

OTHER PUBLICATIONS

U.S. Appl. No. 61/975,114; Tilting Hood Assembly having Fender-Mounted Handle; Eric Hanson et al.; filed Apr. 4, 2014.

(Continued)

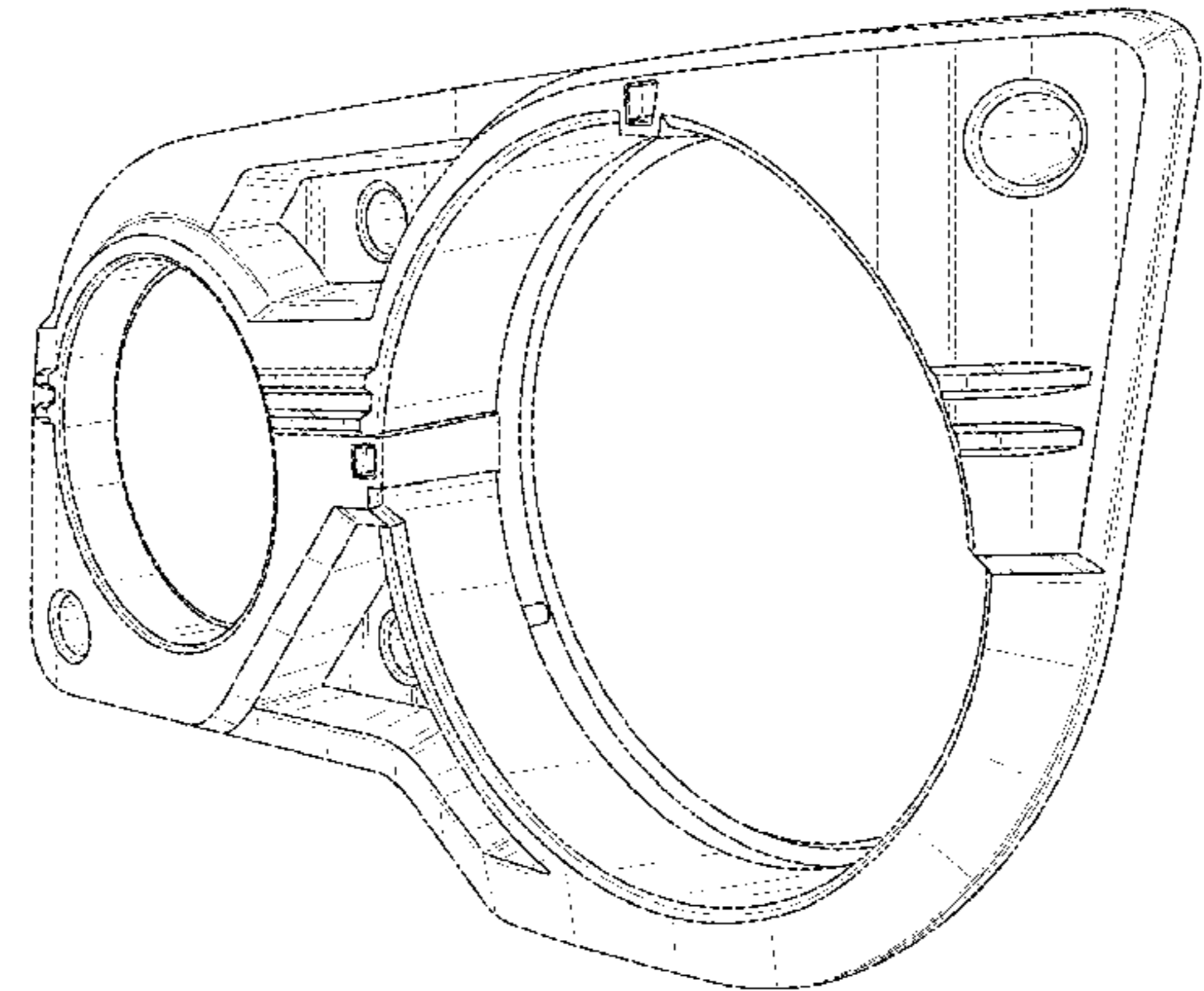
Primary Examiner — Cynthia Ramirez
Assistant Examiner — Llorelys Martinez-Rivera
(74) *Attorney, Agent, or Firm* — Finnegan, Henderson, Farabow, Garrett & Dunner, LLP

(57) **CLAIM**
The ornamental design for a headlight, as shown and described.

DESCRIPTION

FIG. 1 is a front left perspective view of a headlight showing our new design;
FIG. 2 is a front elevation view thereof;
FIG. 3 is a left side view thereof;
FIG. 4 is a right side view thereof;
FIG. 5 is the rear elevation view thereof;
FIG. 6 is a top plan view thereof; and,
FIG. 7 is a bottom view thereof.
The claimed design comprises the mirror images of FIGS. 1 through 7 which are not shown.
The broken lines shown in the drawings illustrate portions of the headlight that form no part of the claimed design.

1 Claim, 6 Drawing Sheets



(56)

References Cited

D685,294 S 7/2013 Hanson et al.

U.S. PATENT DOCUMENTS

OTHER PUBLICATIONS

D661,011 S * 5/2012 Parkes et al. D26/139
D661,012 S * 5/2012 Parkes et al. D26/139
D661,013 S * 5/2012 Davidson et al. D26/139
D666,528 S * 9/2012 Lai D12/96
D675,757 S * 2/2013 Hanson et al. D26/28
8,408,608 B2 4/2013 Wilkens et al.

U.S. Appl. No. 14/274,196; Tilting Hood Assembly Having Fender-Mounted Handle; Eric Hanson et al; filed May 9, 2014.

* cited by examiner

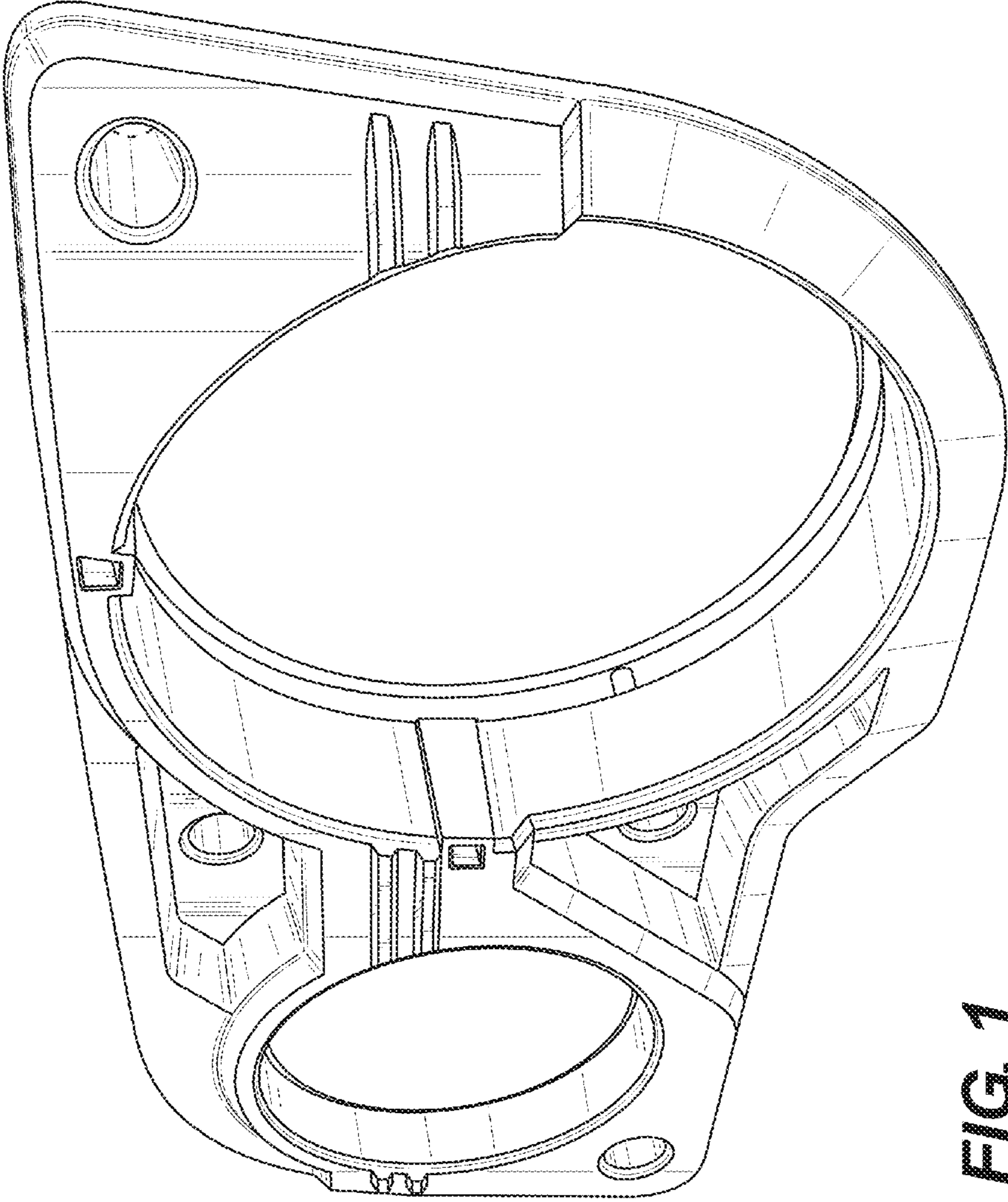


FIG. 1

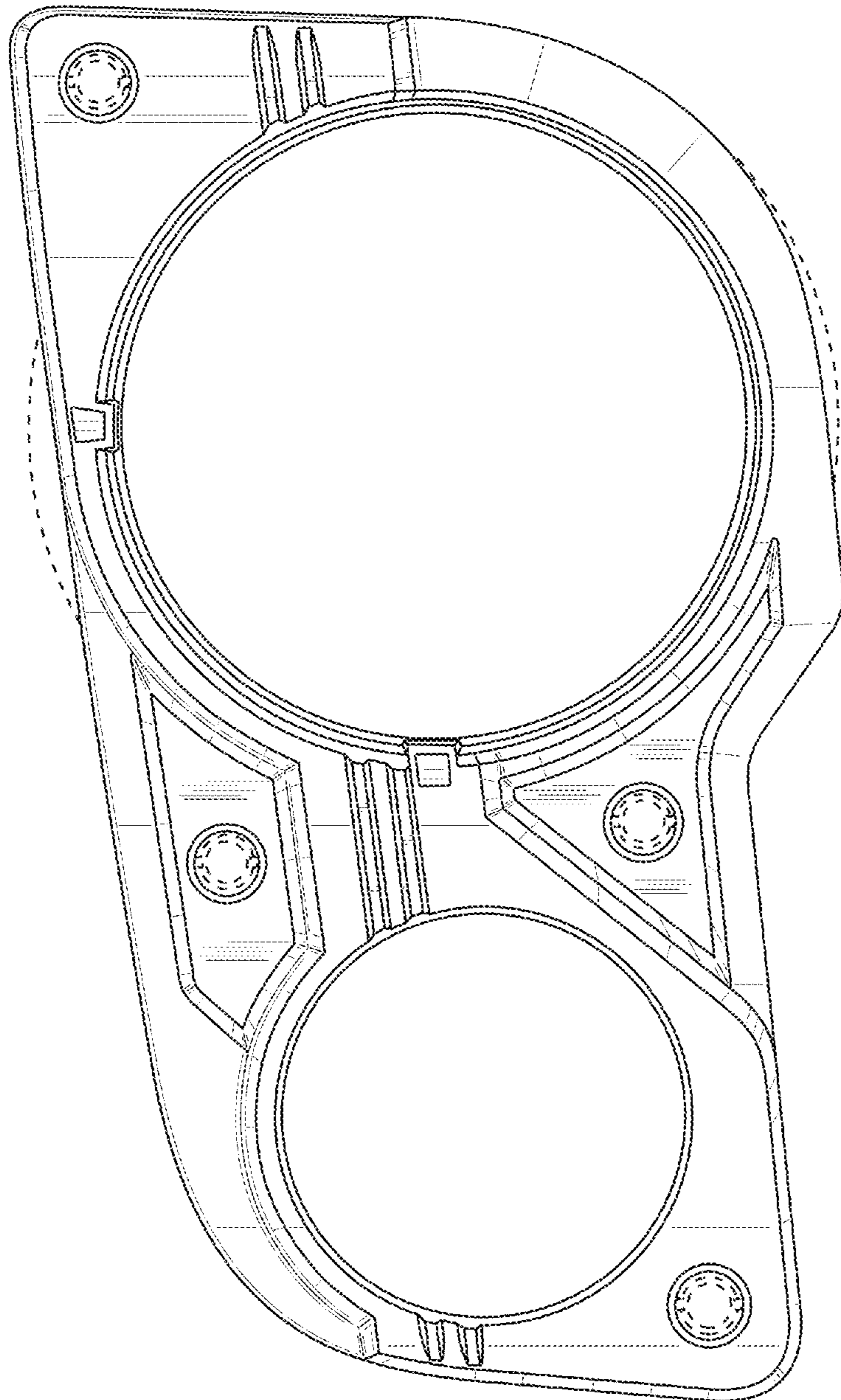


FIG. 2

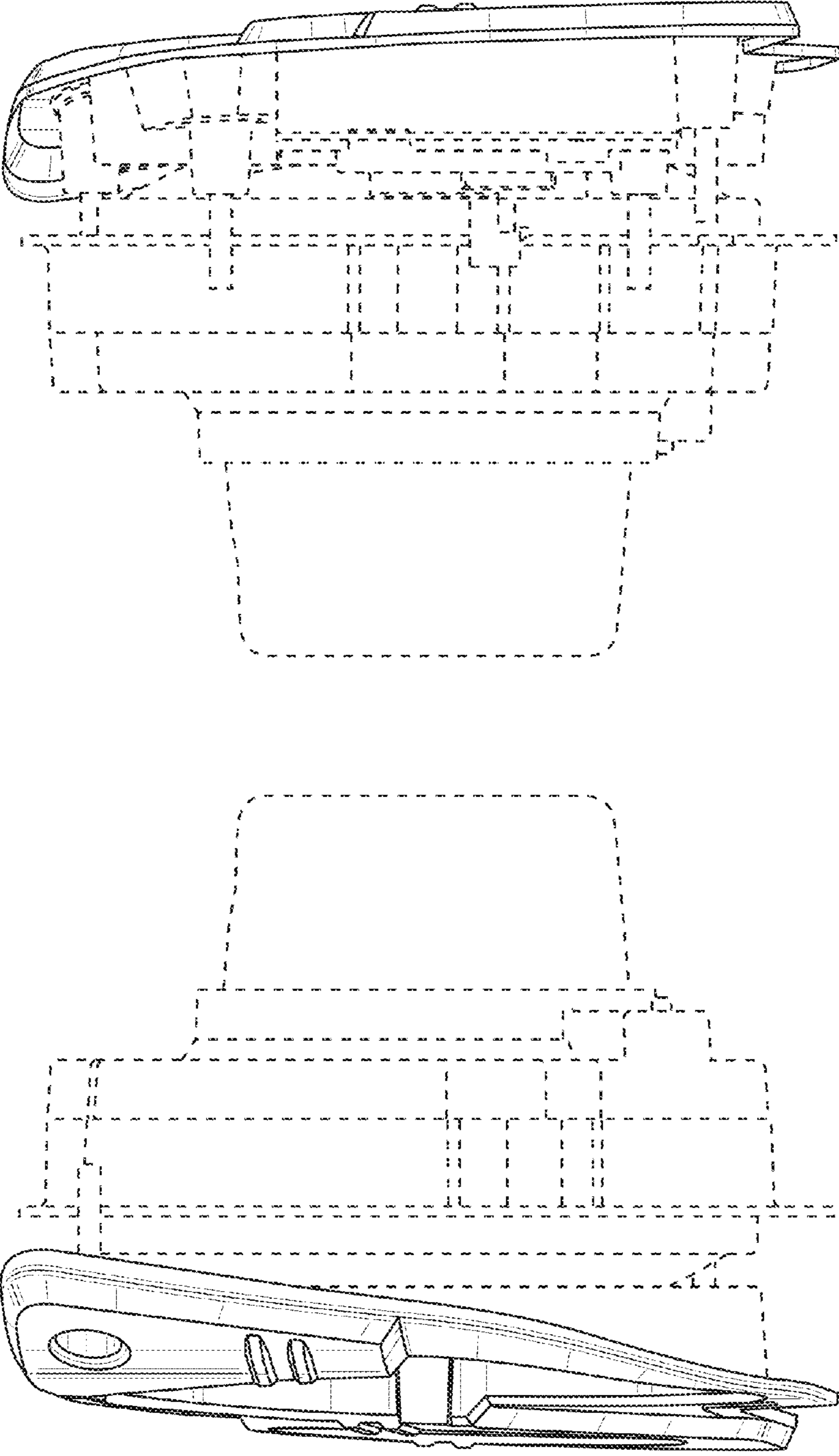


FIG. 4

FIG. 3

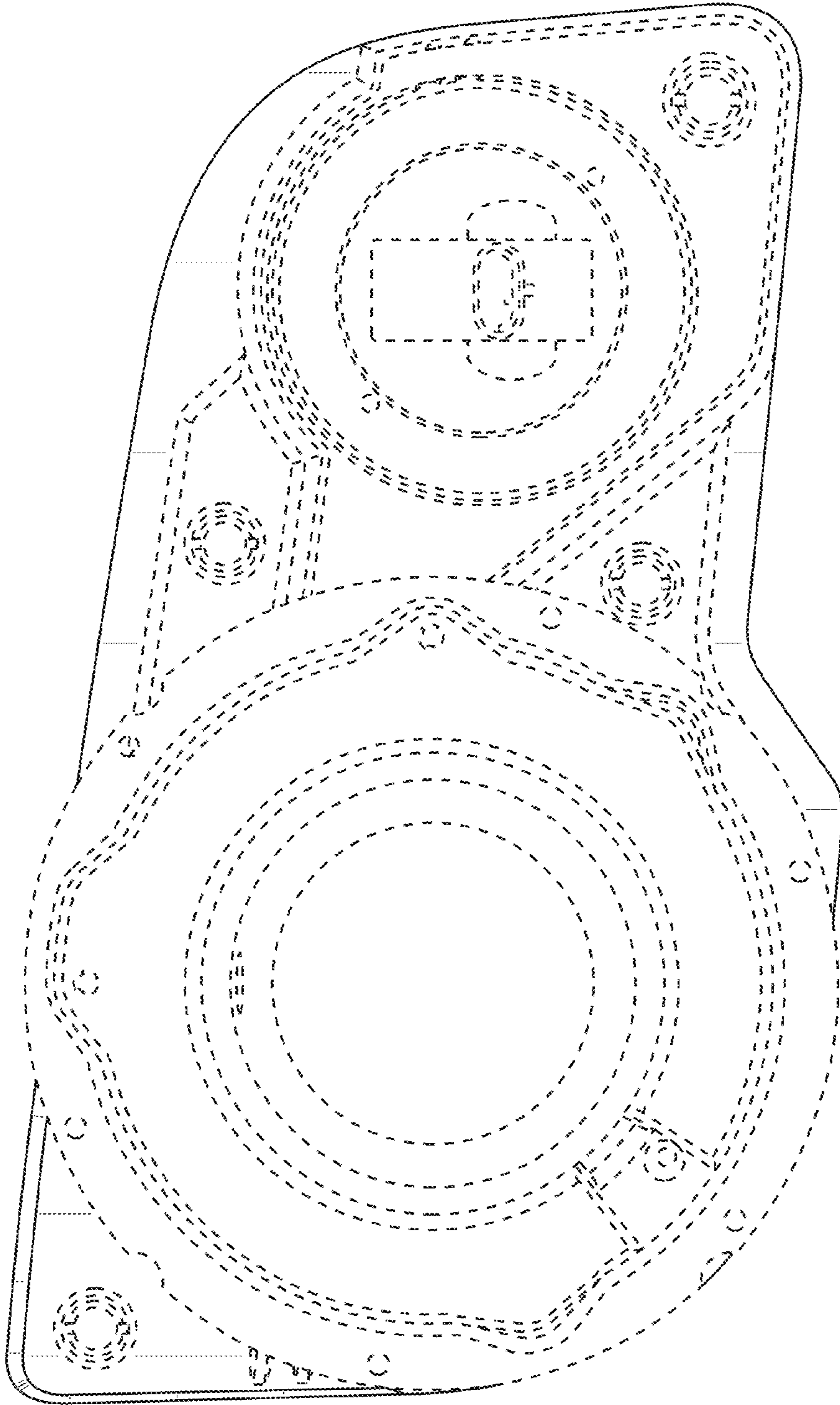


FIG. 5

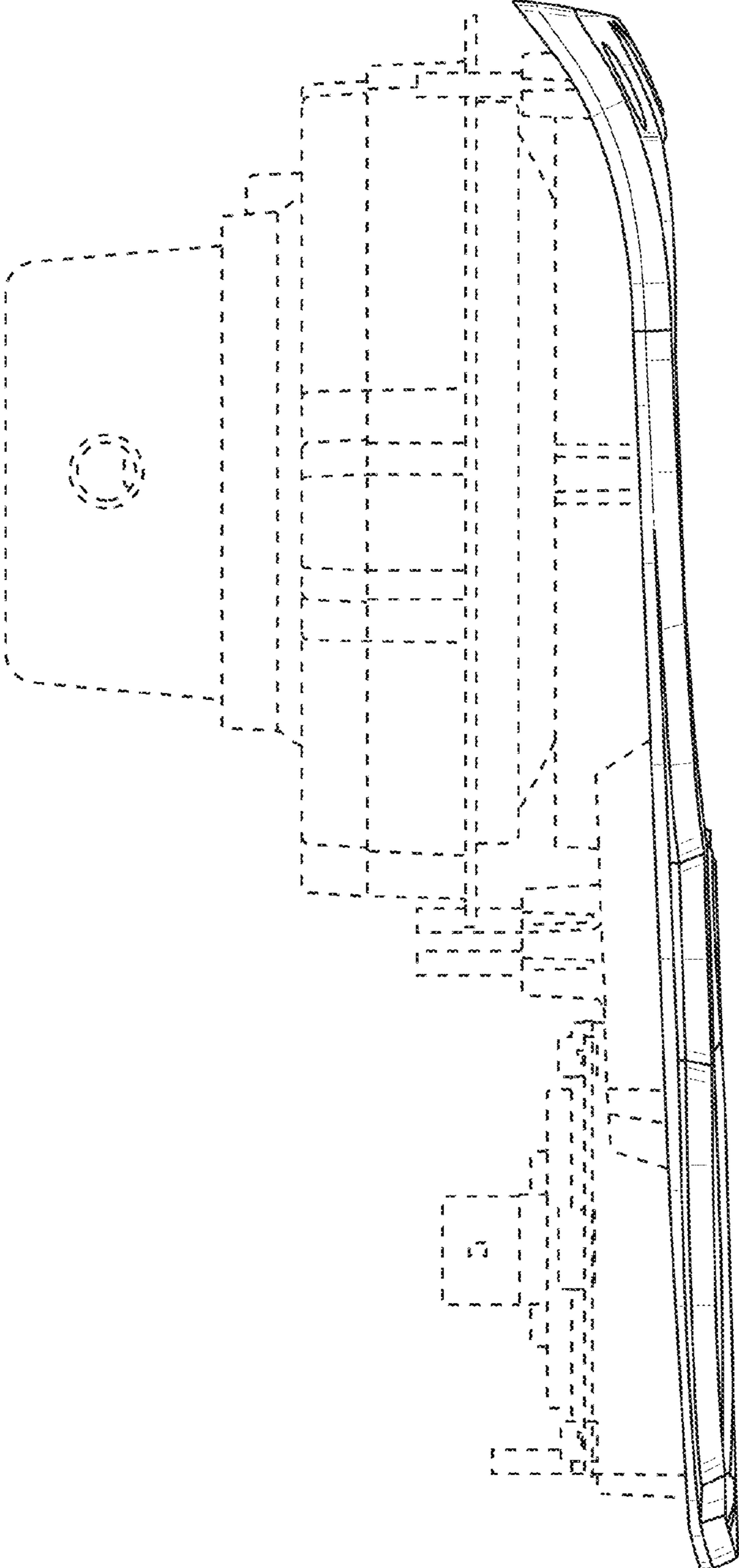


FIG. 6

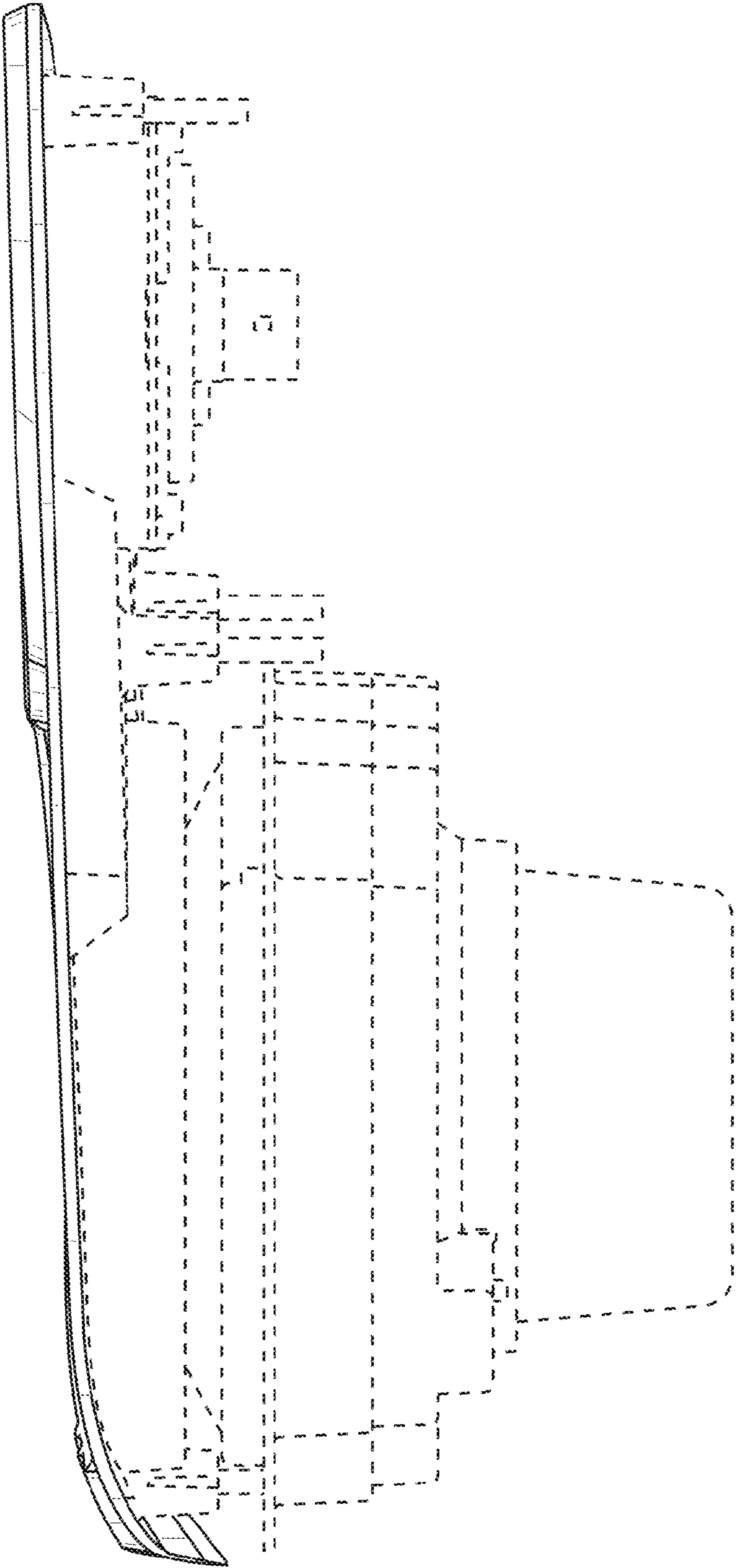


FIG. 7