



US00D747015S

(12) **United States Design Patent**
Capizzi

(10) **Patent No.:** **US D747,015 S**

(45) **Date of Patent:** **** Jan. 5, 2016**

(54) **UNDERWATER BOAT LIGHT**

(71) Applicant: **Keith D Capizzi**, Cocoa Beach, FL (US)

(72) Inventor: **Keith D Capizzi**, Cocoa Beach, FL (US)

(**) Term: **14 Years**

(21) Appl. No.: **29/474,327**

(22) Filed: **Aug. 11, 2014**

(51) **LOC (10) Cl.** **26-06**

(52) **U.S. Cl.**
USPC **D26/28**

(58) **Field of Classification Search**

USPC D26/28-36; 362/459-468, 475-478,
362/485-487
CPC F21S 48/00; F21S 48/10; F21S 48/115;
F21V 21/04

See application file for complete search history.

(56) **References Cited**

U.S. PATENT DOCUMENTS

D550,383	S	*	9/2007	Asai	D26/28
D556,349	S	*	11/2007	Golden	D26/28
D560,291	S	*	1/2008	Koyama	D26/28
D625,443	S	*	10/2010	Herbin	D26/28
D641,504	S	*	7/2011	Lin	D26/28
D653,370	S	*	1/2012	Grebert	D26/28

* cited by examiner

Primary Examiner — Marcus Jackson

(74) *Attorney, Agent, or Firm* — Keith Capizzi

(57) **CLAIM**

I claim the ornamental design for an underwater boat light, as shown.

DESCRIPTION

FIG. 1 is a front elevational view of an underwater boat light showing my new design;
FIG. 2 is a perspective view thereof;
FIG. 3 is a side elevational view thereof; and,
FIG. 4 is a bottom perspective view thereof.

1 Claim, 1 Drawing Sheet

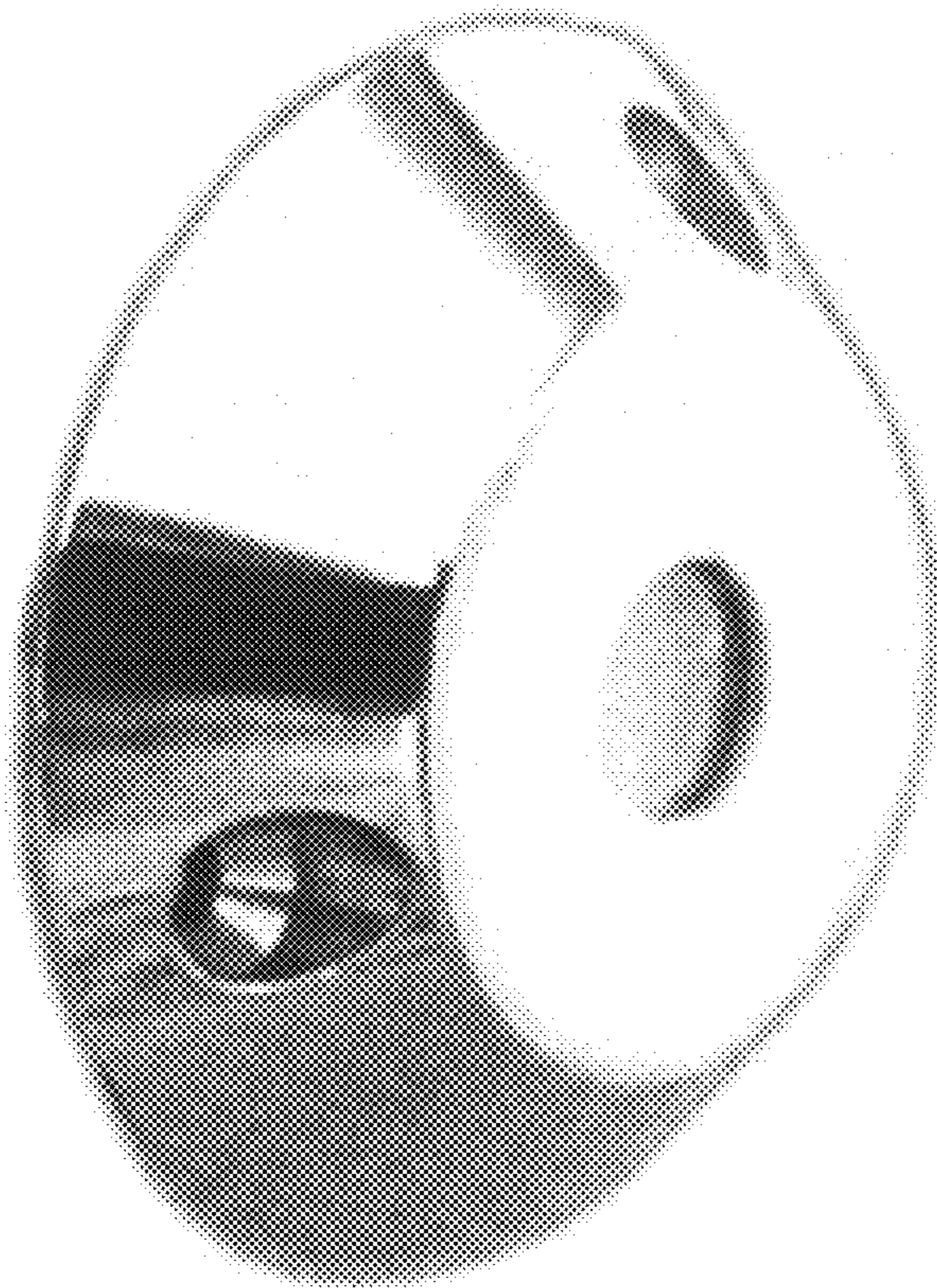


Figure 1.

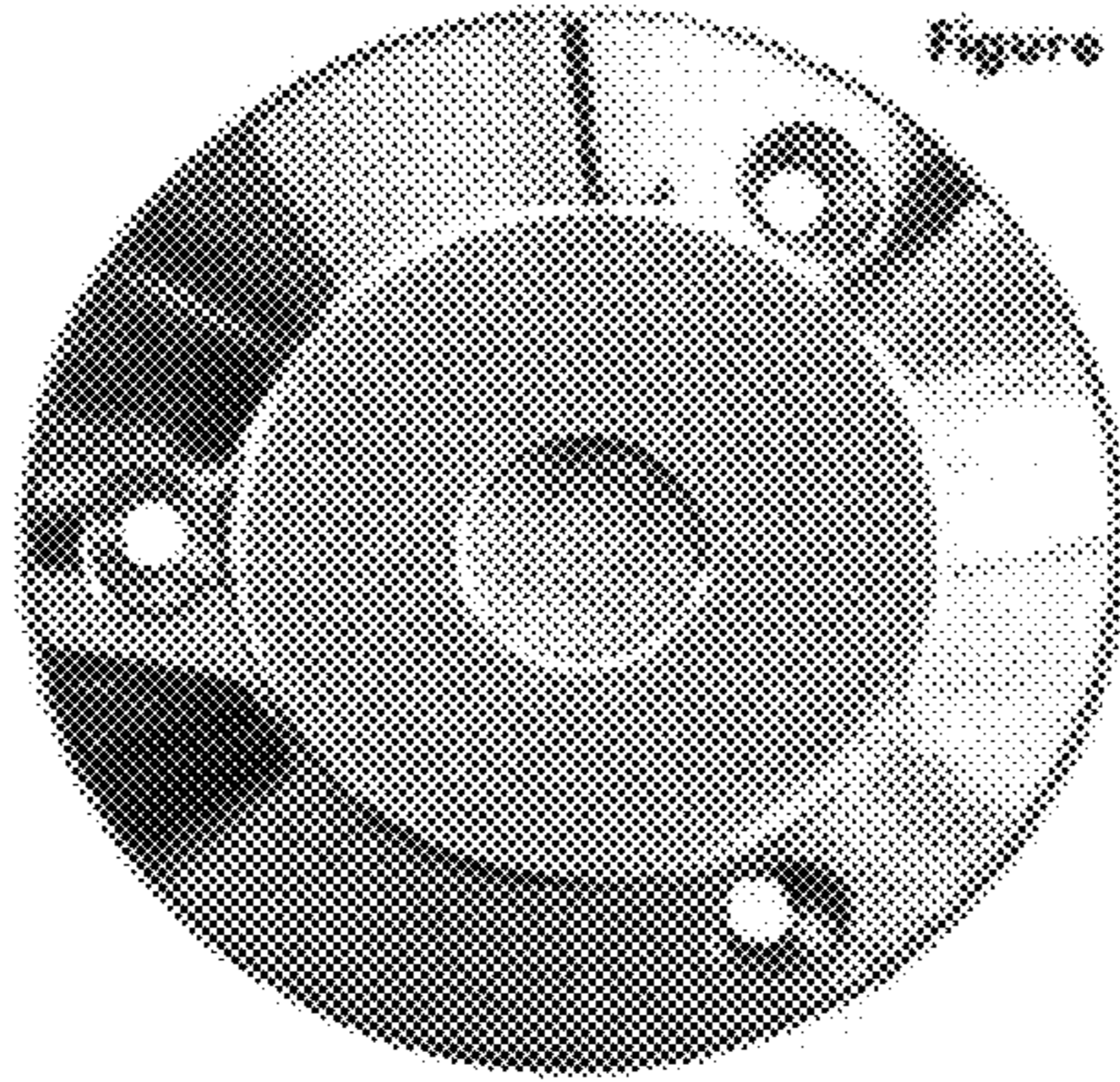


Figure 2.

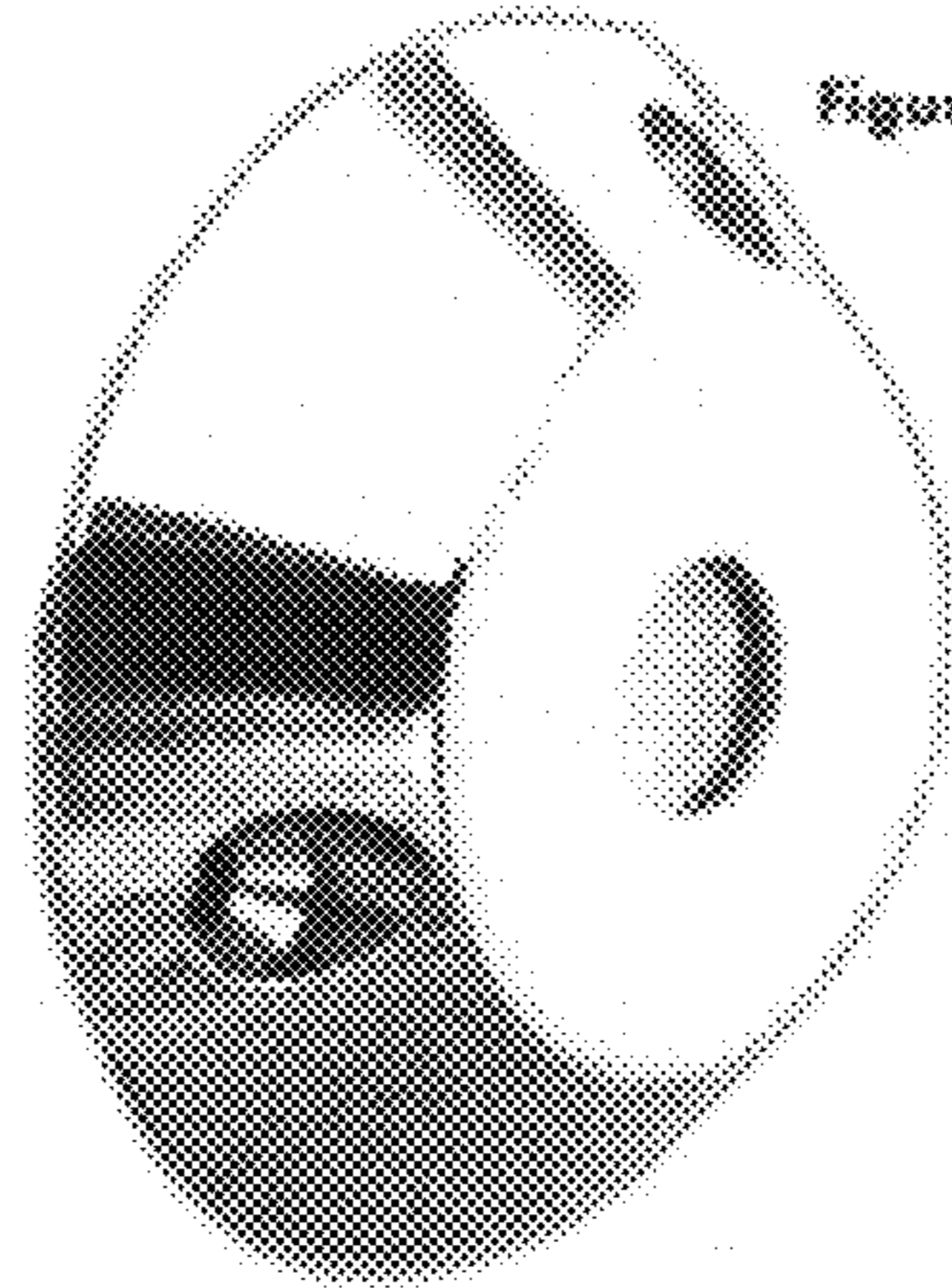


Figure 3.

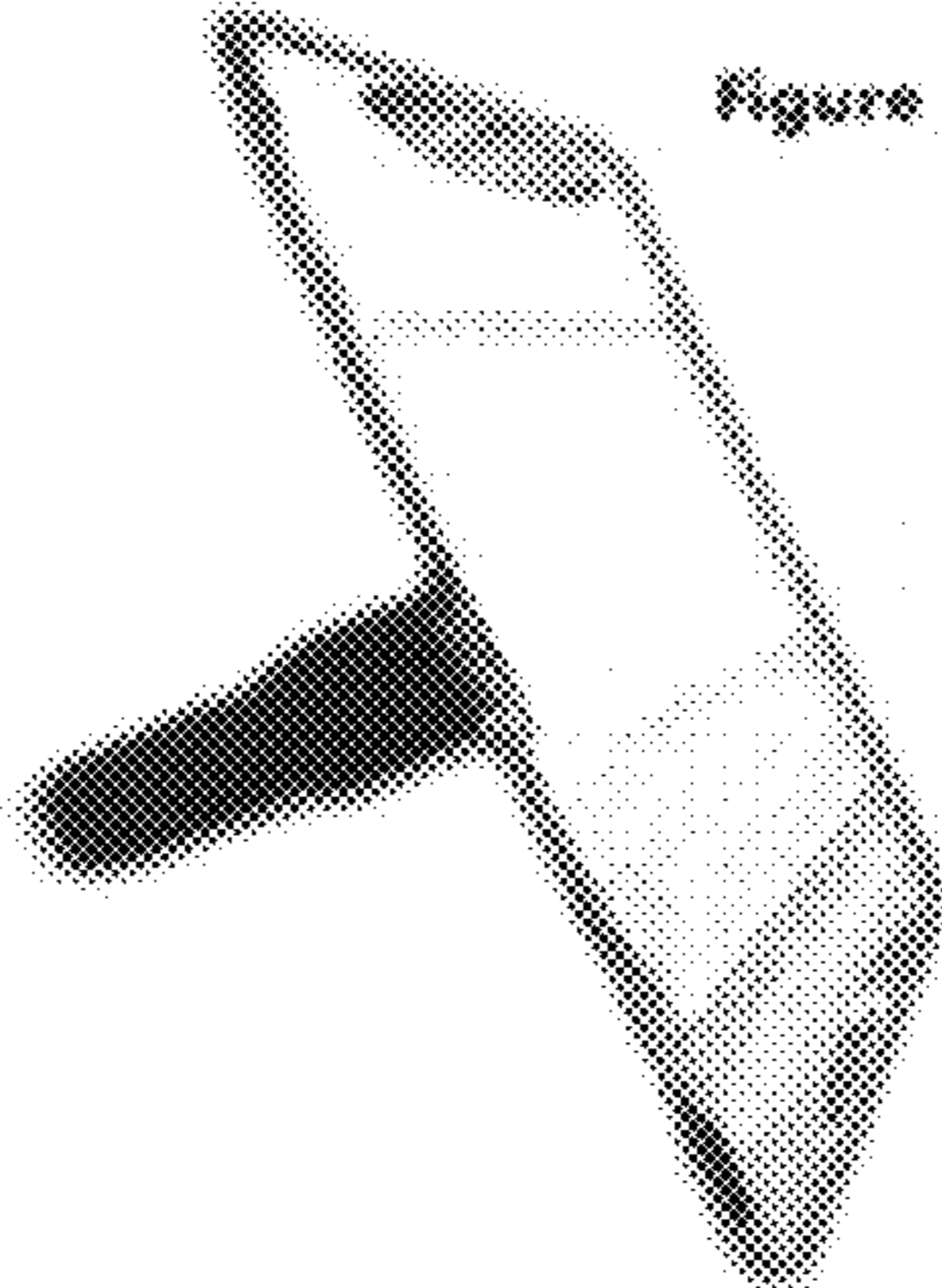


Figure 4.

