



US00D747014S

(12) **United States Design Patent**
Chen

(10) **Patent No.:** **US D747,014 S**
(45) **Date of Patent:** **** Jan. 5, 2016**

(54) **BICYCLE LIGHT**

(71) Applicant: **Sheng Tsung Chen**, Taipei (TW)

(72) Inventor: **Sheng Tsung Chen**, Taipei (TW)

(73) Assignee: **Planet Bike, LLC**, Madison, WI (US)

(**) Term: **14 Years**

(21) Appl. No.: **29/457,977**

(22) Filed: **Jun. 14, 2013**

(30) **Foreign Application Priority Data**

Feb. 8, 2013 (TW) 102301154
Feb. 20, 2013 (CN) 2013 3 0042419

(51) **LOC (10) Cl.** **26-05**

(52) **U.S. Cl.**
USPC **D26/28**

(58) **Field of Classification Search**
USPC D26/24, 28, 60
CPC F21S 48/00; F21S 48/20; F21V 21/08;
F21V 21/088; F21W 2101/023
See application file for complete search history.

(56) **References Cited**

U.S. PATENT DOCUMENTS

D595,884 S * 7/2009 Liao et al. D26/60
D631,995 S * 2/2011 Huschke D26/28

D663,451 S * 7/2012 Ueda et al. D26/28
D706,468 S * 6/2014 Nagano D26/28
D709,222 S * 7/2014 Poon D26/28
D717,979 S * 11/2014 Ueda et al. D26/28

OTHER PUBLICATIONS

Petition Under 37 Cfr 1.182 filed on Jun. 24, 2015.
US Design Application 291457,978 filed on Jun. 14, 2013.

* cited by examiner

Primary Examiner — Brian N. Vinson

(74) *Attorney, Agent, or Firm* — Smith Law Office; Jeffrey W. Smith

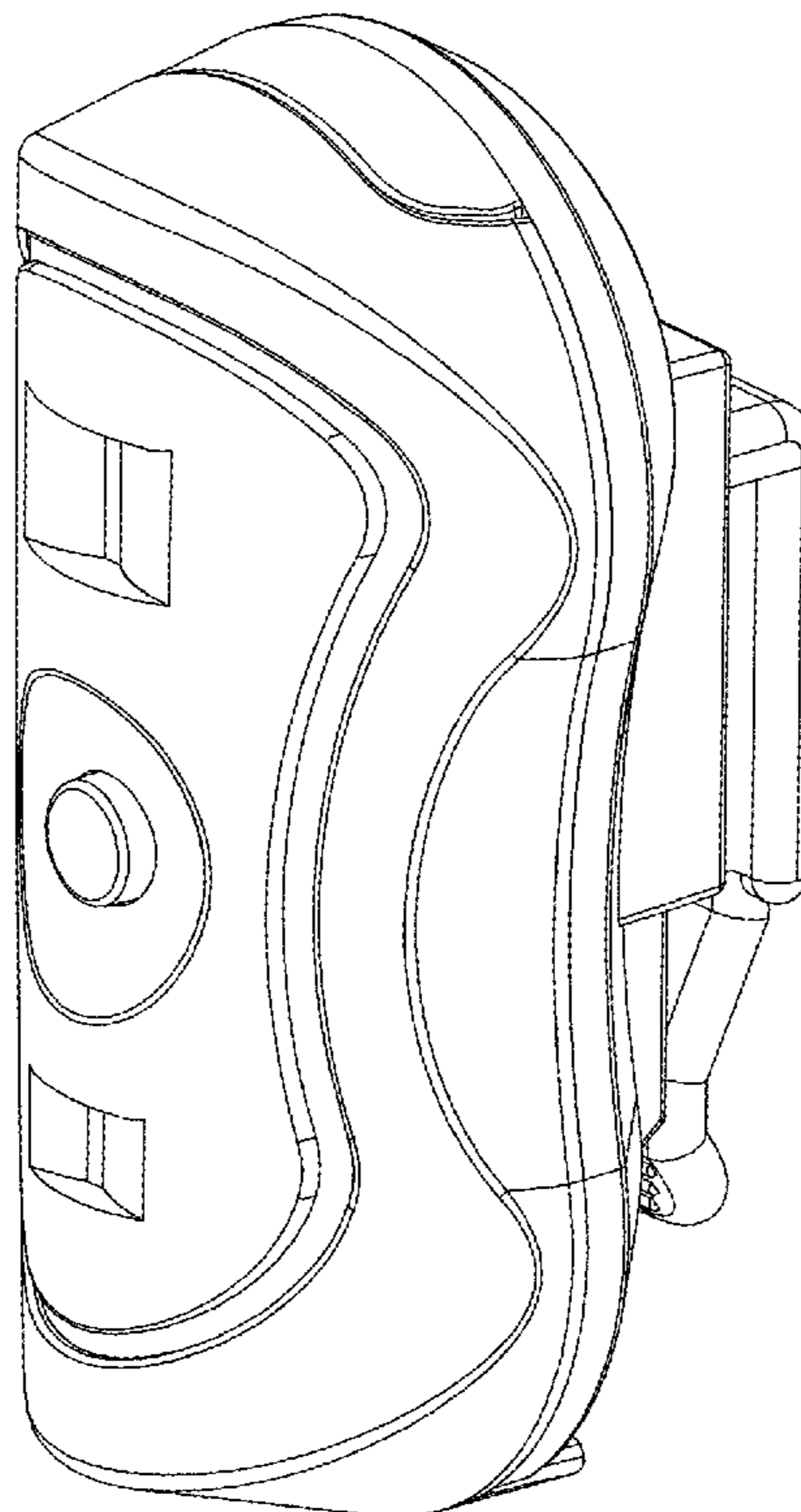
(57) **CLAIM**

The ornamental design for a bicycle light, as shown and described.

DESCRIPTION

FIG. 1 is an upper left perspective view of the bicycle light comprising the new design;
FIG. 2 is a front elevational view of the bicycle light;
FIG. 3 is a rear elevational view of the bicycle light;
FIG. 4 is a right side elevational view of the bicycle light;
FIG. 5 is a left side elevational view of the bicycle light;
FIG. 6 is a top plan view of the bicycle light; and,
FIG. 7 is a bottom view of the bicycle light.

1 Claim, 6 Drawing Sheets



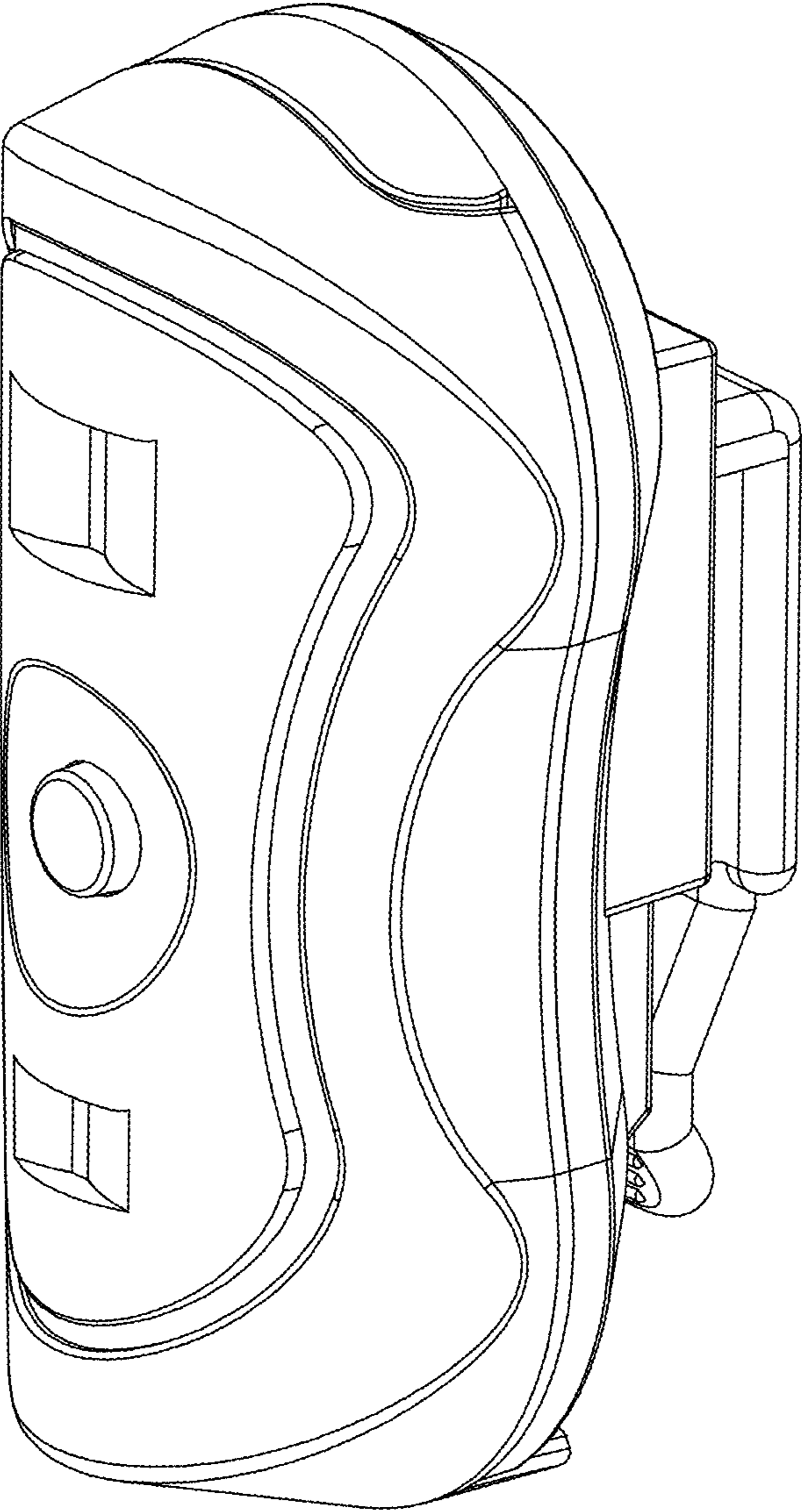


Fig. 1

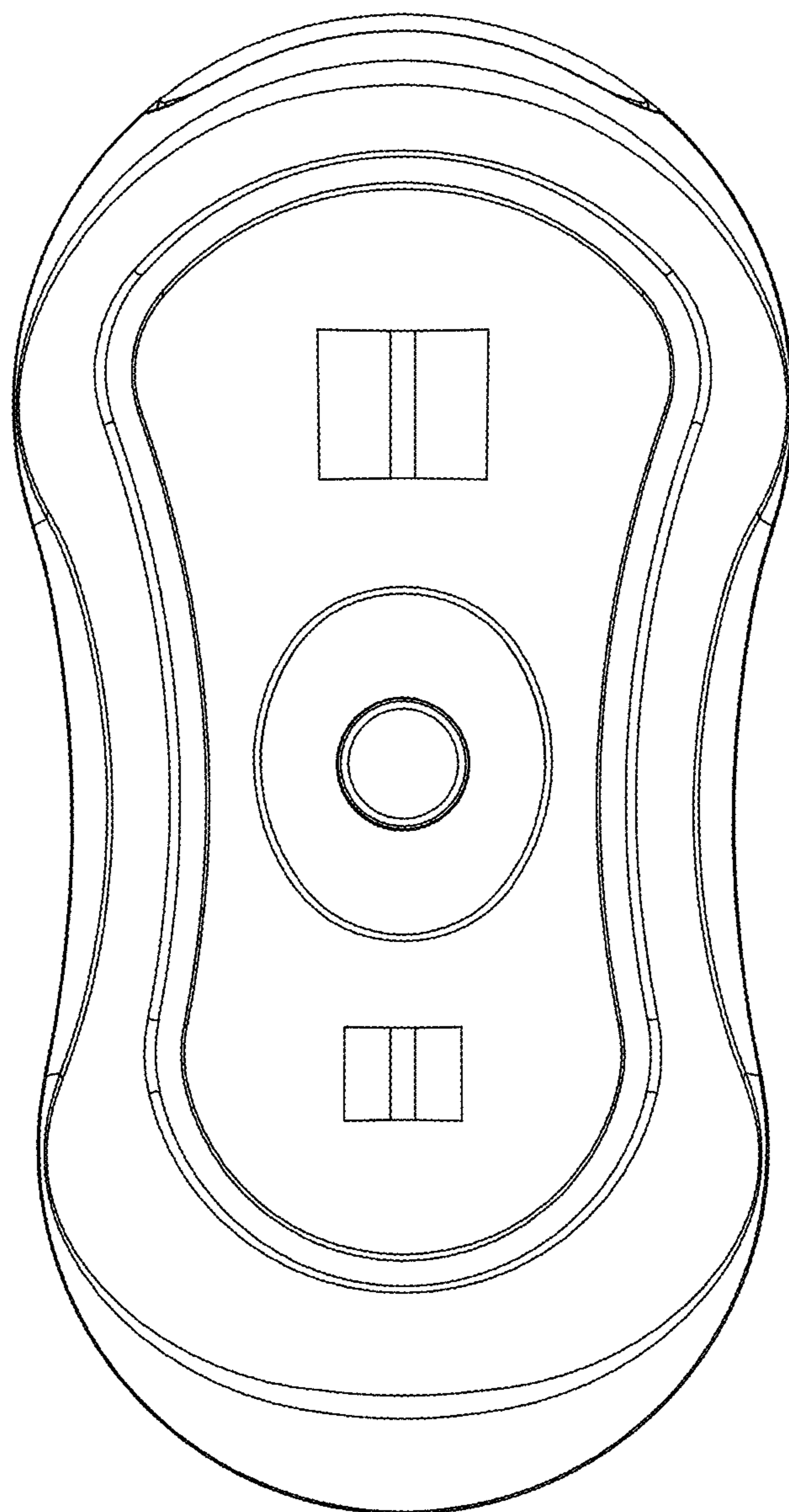


Fig. 2

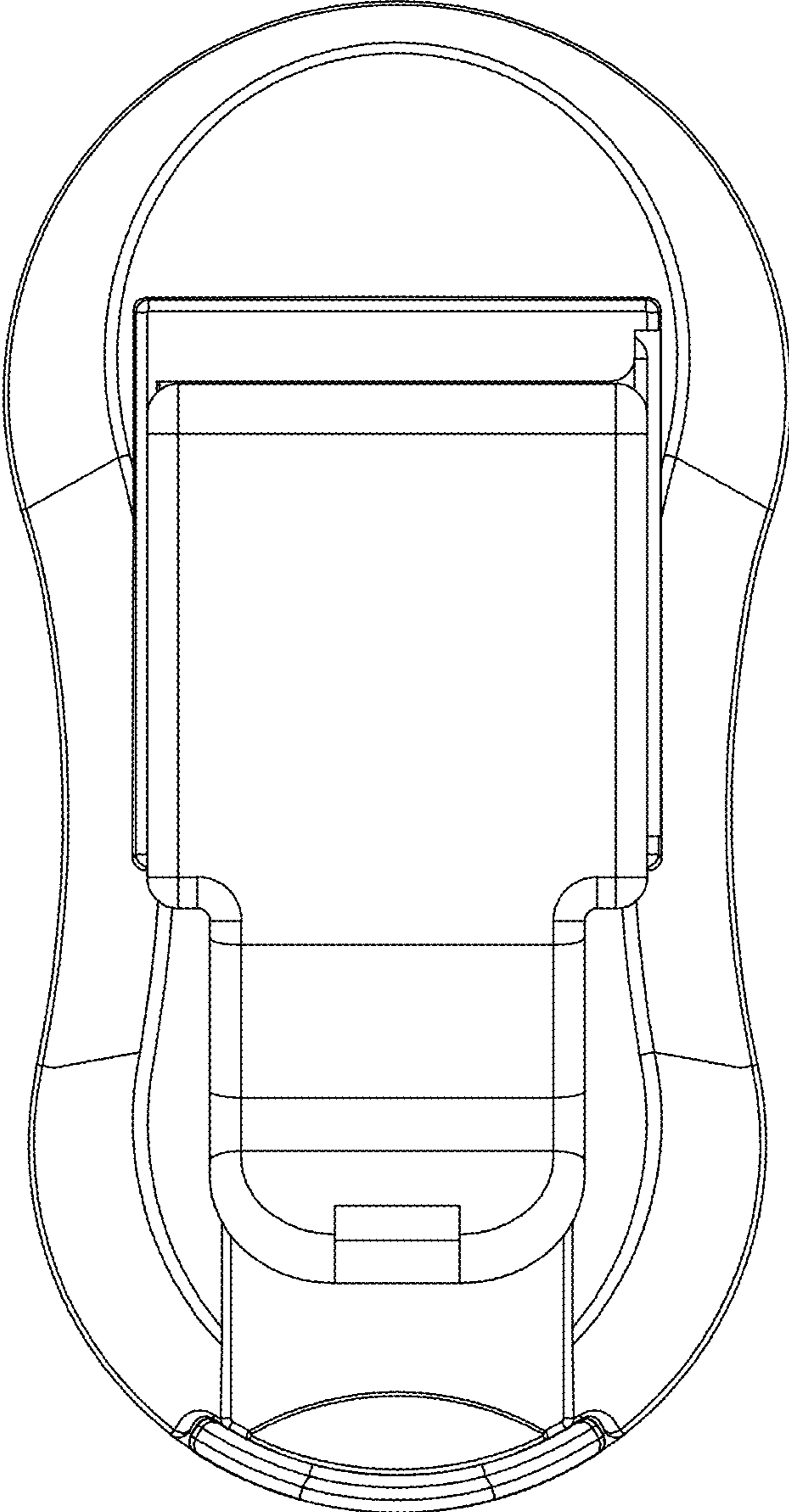


Fig. 3

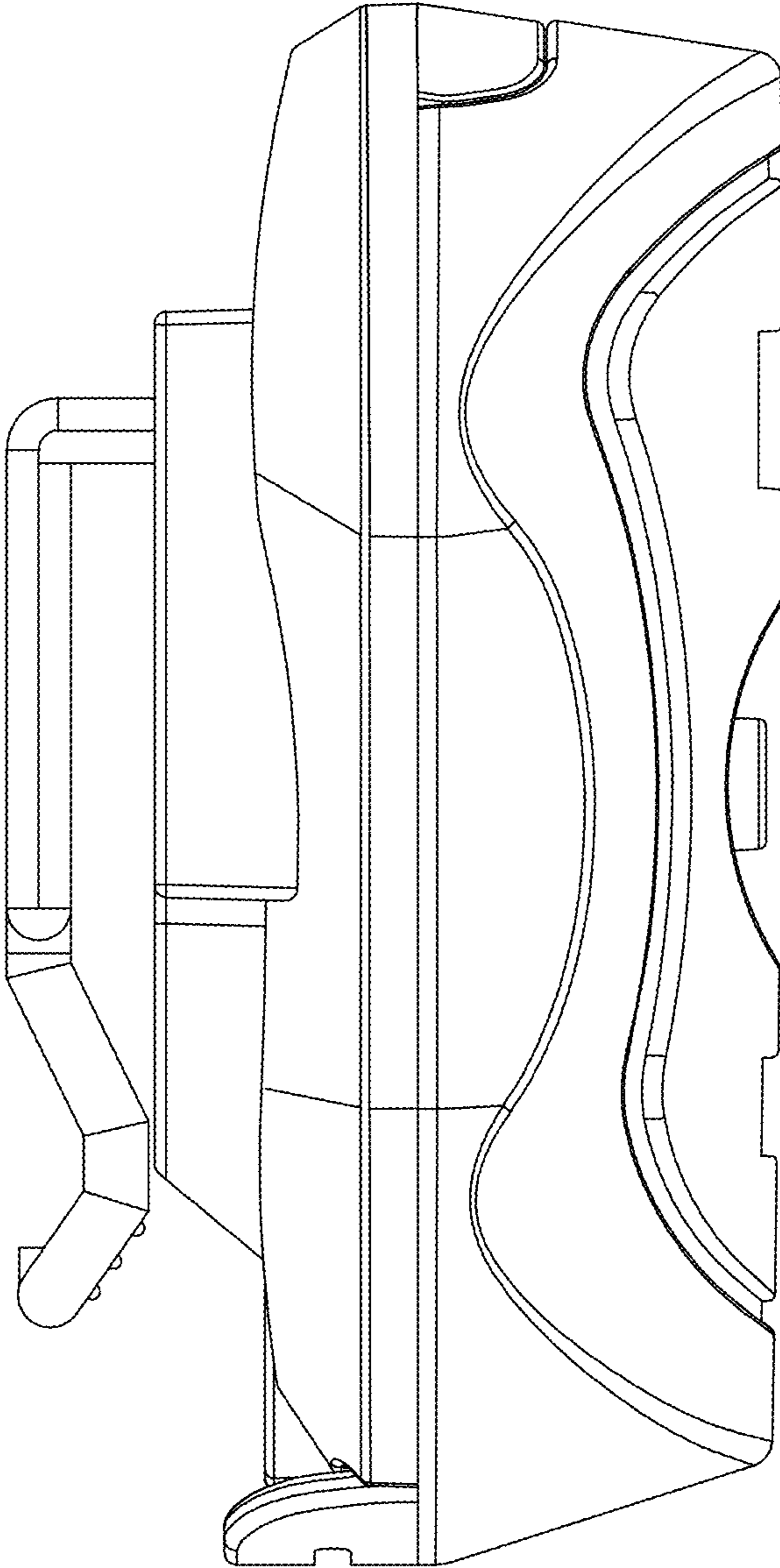


Fig. 4

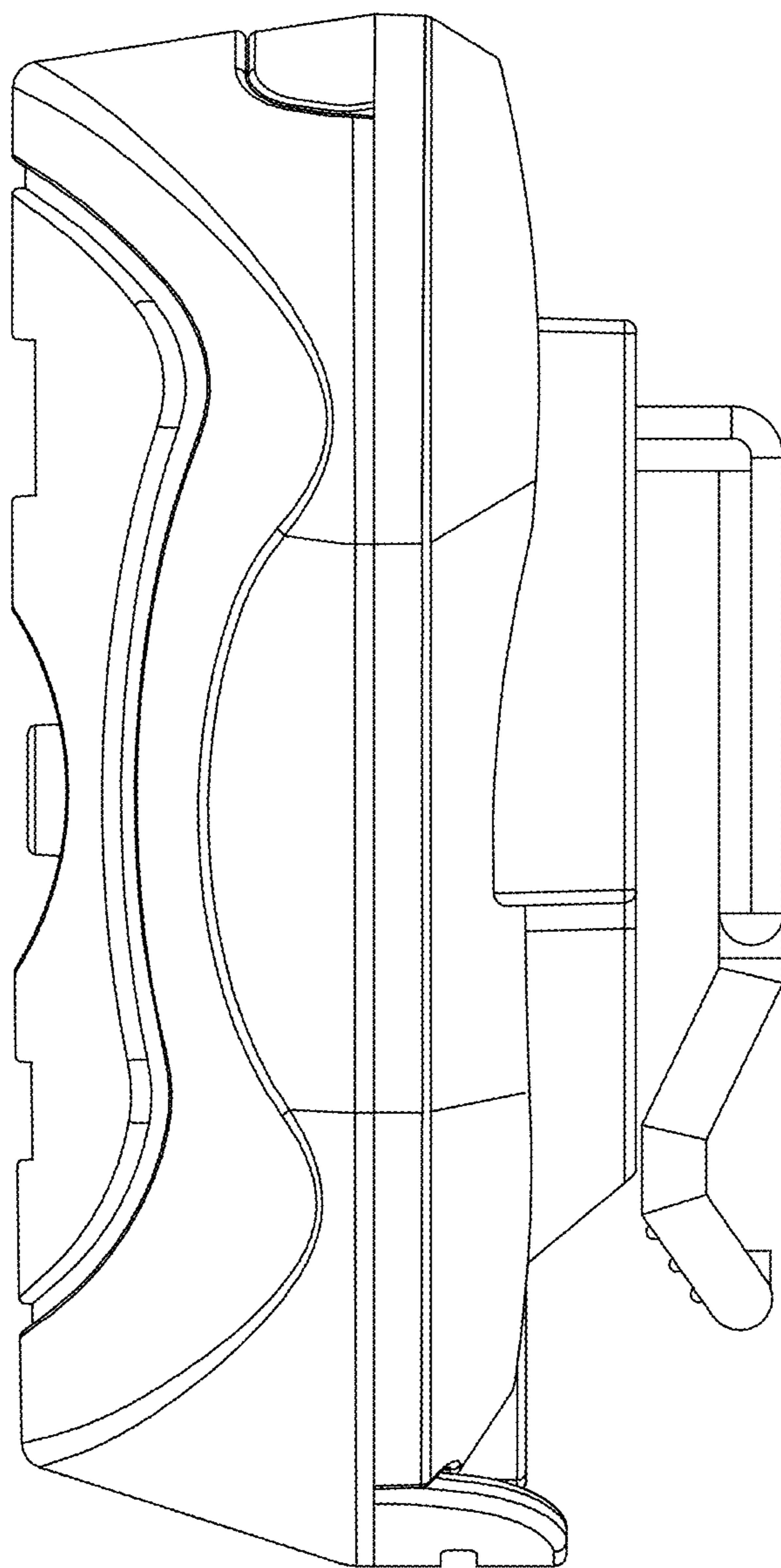


Fig. 5

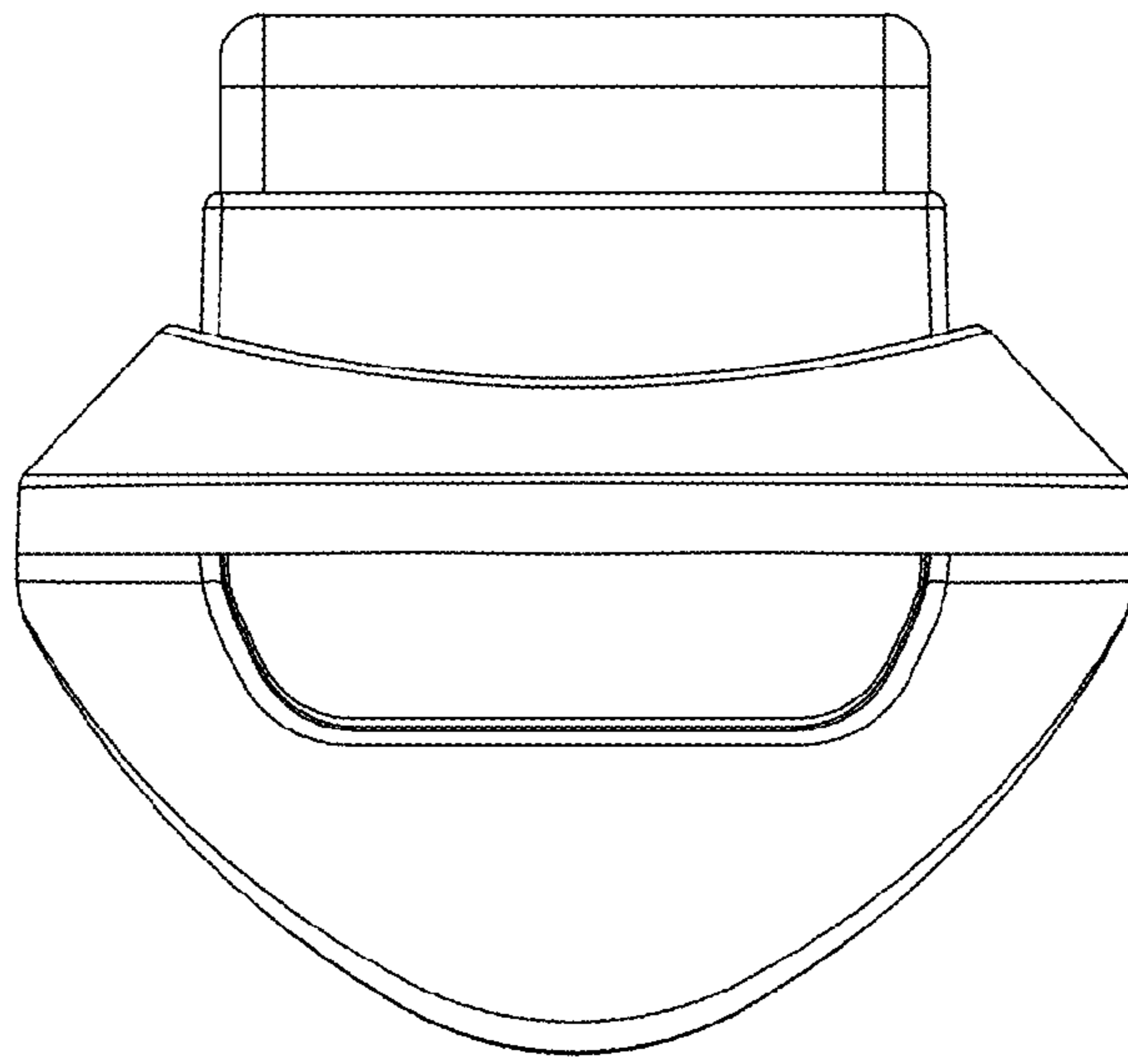


Fig. 6

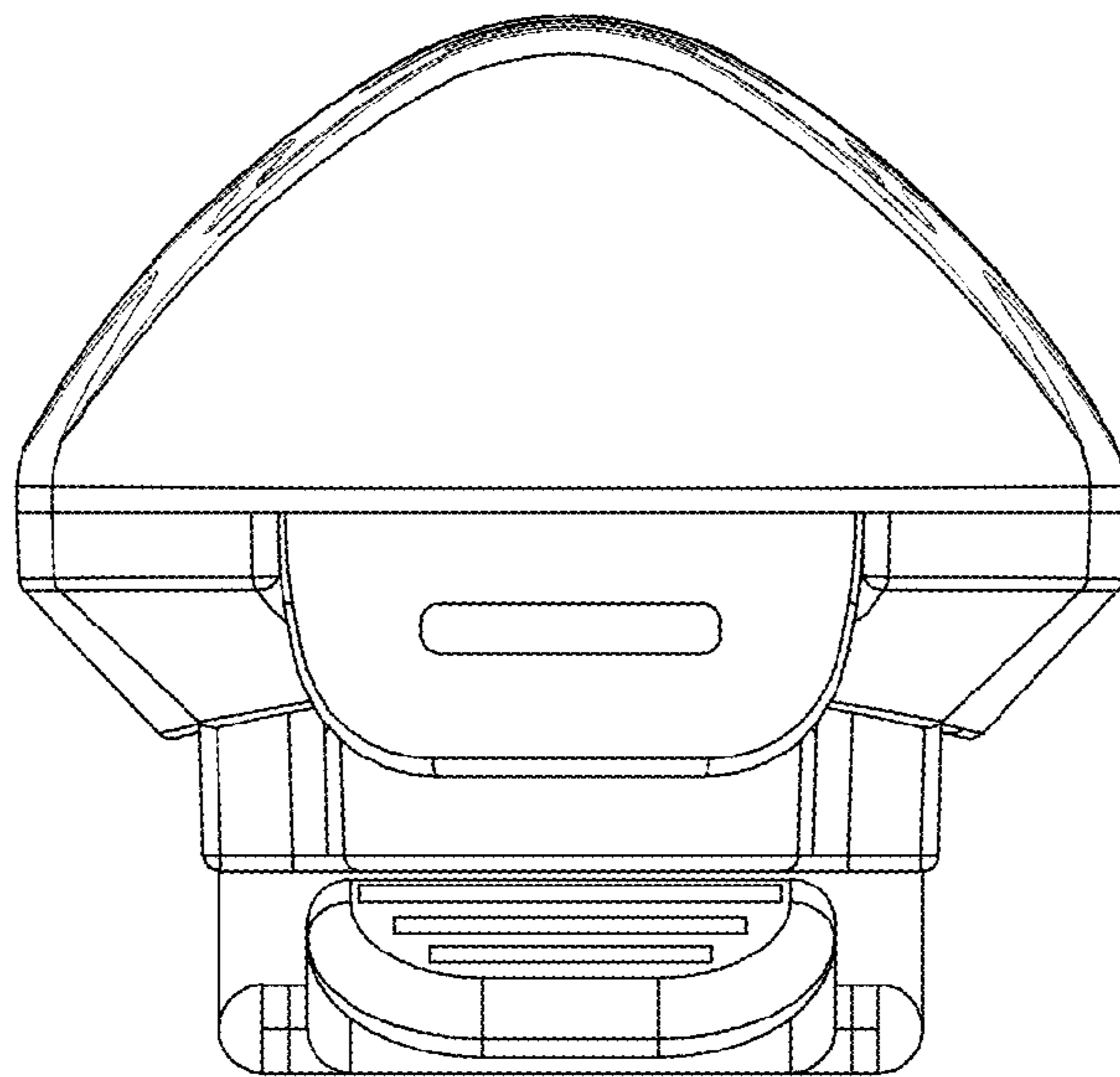


Fig. 7