



US00D747012S

(12) **United States Design Patent**
Negley et al.

(10) **Patent No.:** **US D747,012 S**
(45) **Date of Patent:** **** Jan. 5, 2016**

(54) **LED LAMP**

(71) Applicant: **Cree, Inc.**, Durham, NC (US)
(72) Inventors: **Gerald H. Negley**, Chapel Hill, NC (US); **Matthew C. Reynolds**, Chapel Hill, NC (US); **Curt Progl**, Raleigh, NC (US)
(73) Assignee: **Cree, Inc.**, Durham, NC (US)

(**) Term: **14 Years**

(21) Appl. No.: **29/492,459**

(22) Filed: **May 30, 2014**

(51) **LOC (10) Cl.** **26-04**

(52) **U.S. Cl.**
USPC **D26/2**

(58) **Field of Classification Search**
USPC D26/1-4; 313/313, 315, 316, 317, 318, 313/493; 315/52, 53, 56, 57, 58
See application file for complete search history.

(56) **References Cited**

U.S. PATENT DOCUMENTS

D531,741 S *	11/2006	Takahashi	D26/2
D538,953 S *	3/2007	Mama	D26/2
D548,369 S *	8/2007	Bembridge	D26/2
D549,360 S *	8/2007	An	D26/2
D550,864 S *	9/2007	Hernandez et al.	D26/2
D553,267 S *	10/2007	Yuen	D26/2
D602,614 S *	10/2009	Takahashi et al.	D26/2
D629,535 S *	12/2010	Lee	D26/2
8,421,329 B2	4/2013	Liang et al.		
D691,292 S *	10/2013	Qiu	D26/2

OTHER PUBLICATIONS

Cree, Inc., Chinese Application No. 2014304903836, Office Action, Mar. 26, 2015.

* cited by examiner

Primary Examiner — Marcus Jackson

(74) *Attorney, Agent, or Firm* — Dennis J. Williamson; Moore & Van Allen PLLC

(57) **CLAIM**

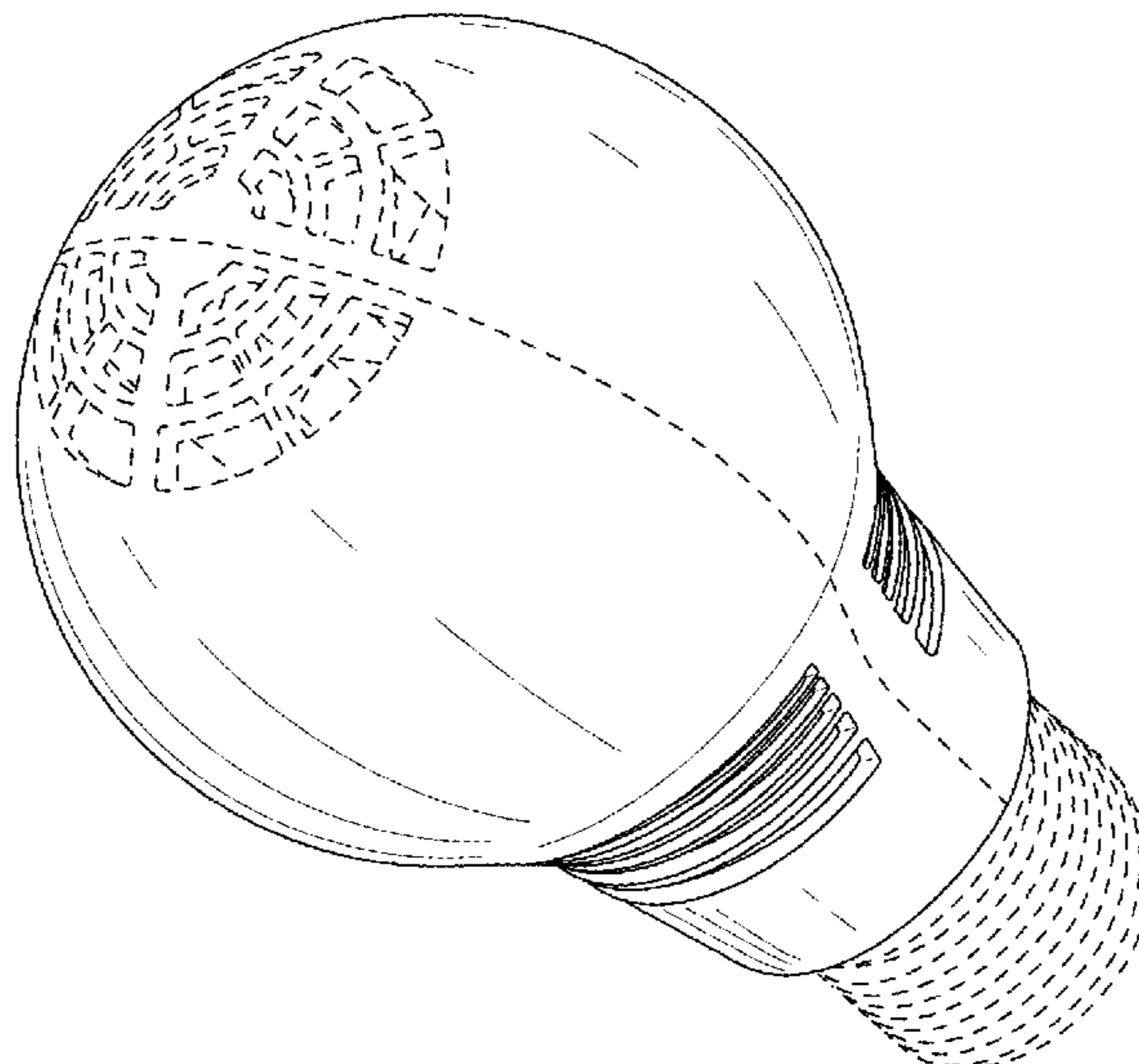
We claim the ornamental design for a LED lamp, as shown and described.

DESCRIPTION

FIG. 1 is a front view showing an embodiment of our new design for a LED lamp;
FIG. 2 is a back view showing our new design shown in FIG. 1;
FIG. 3 is a right side view showing our new design shown in FIG. 1;
FIG. 4 is a left side view showing our new design shown in FIG. 1;
FIG. 5 is a top view showing our new design shown in FIG. 1;
FIG. 6 is a bottom view showing our new design shown in FIG. 1; and,
FIG. 7 is a perspective view showing our new design shown in FIG. 1.

The portions shown in broken lines are not part of the claimed design but show the environment in which the design is associated.

1 Claim, 7 Drawing Sheets



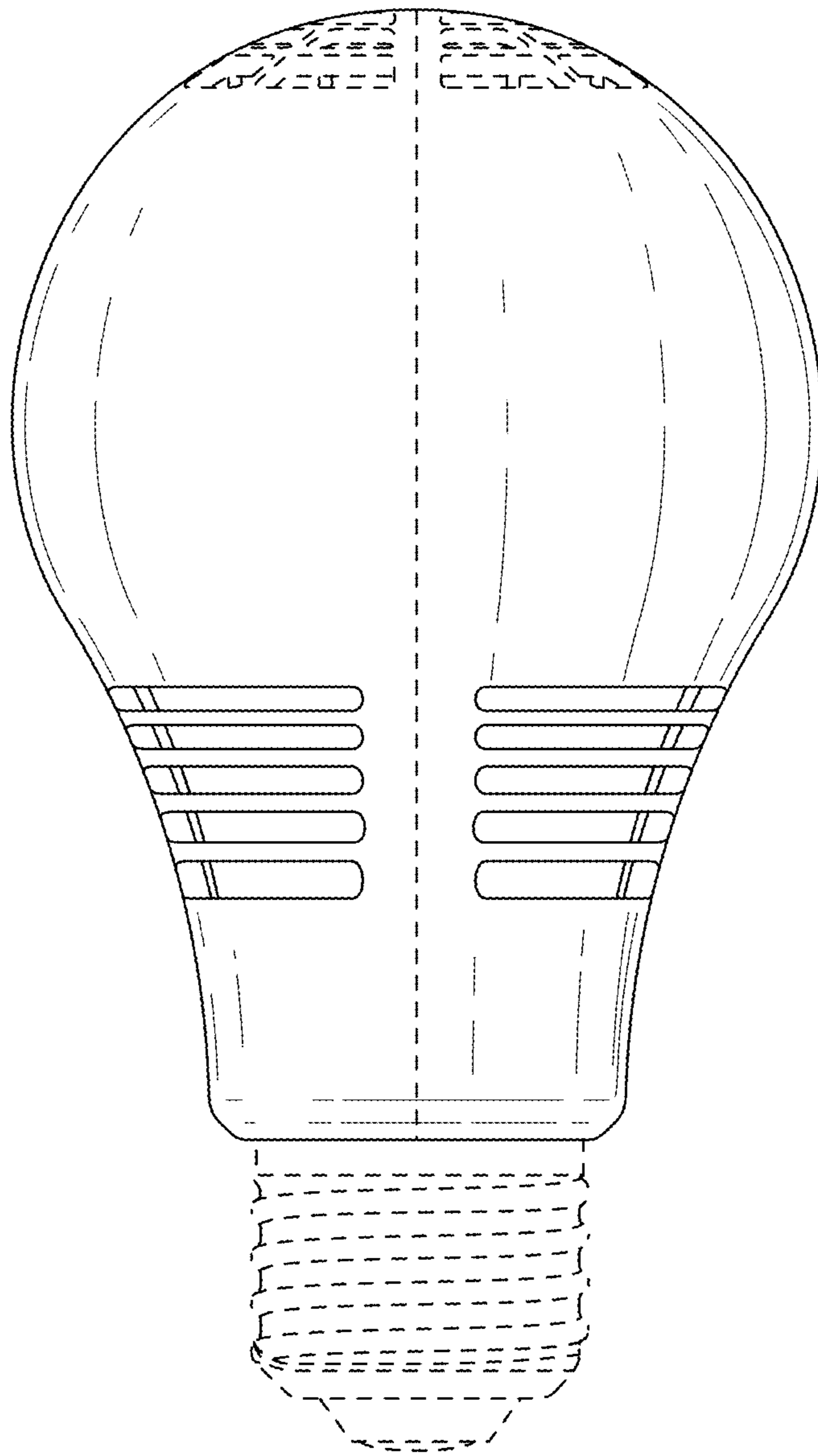


FIG. 1

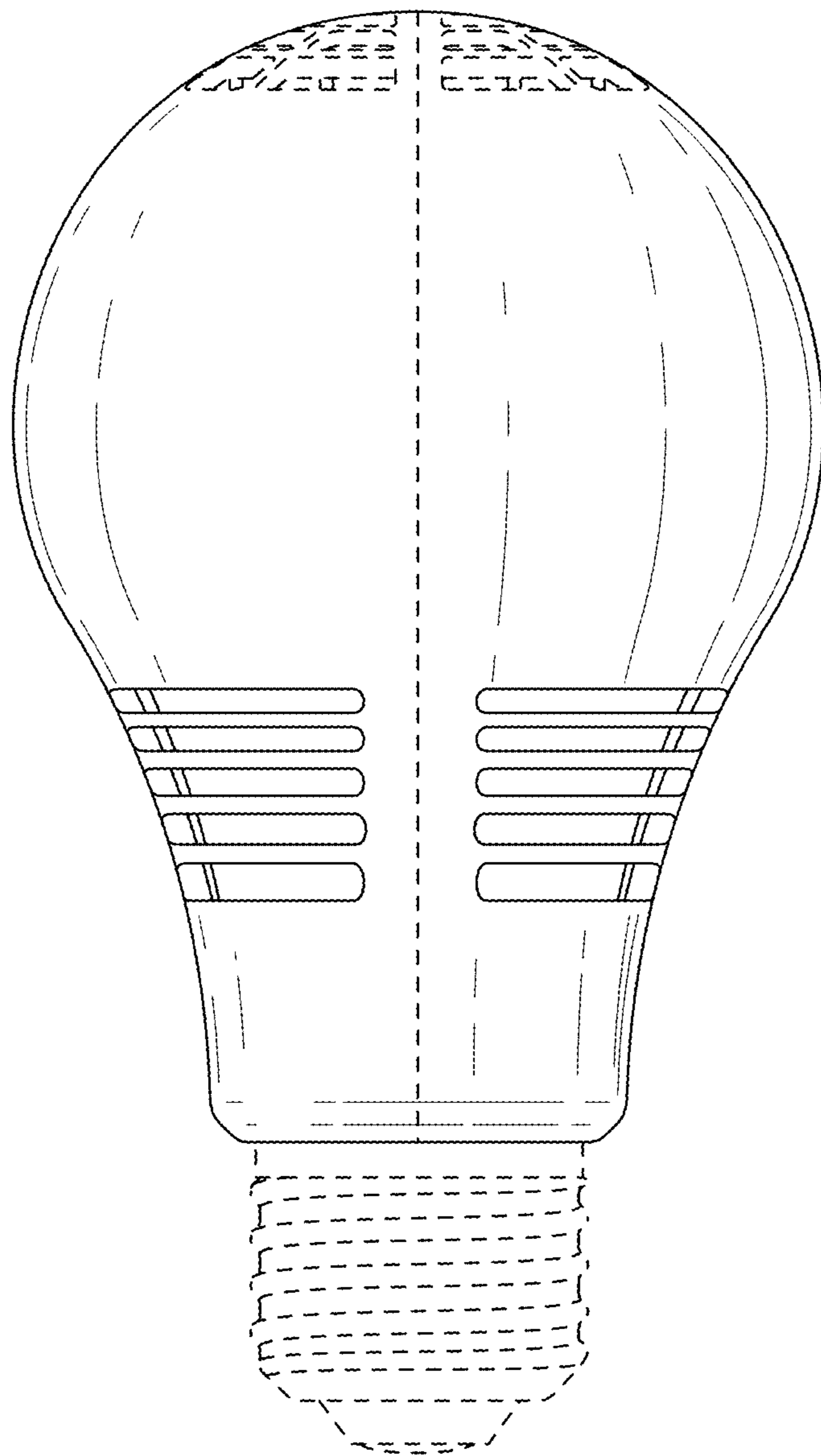


FIG. 2

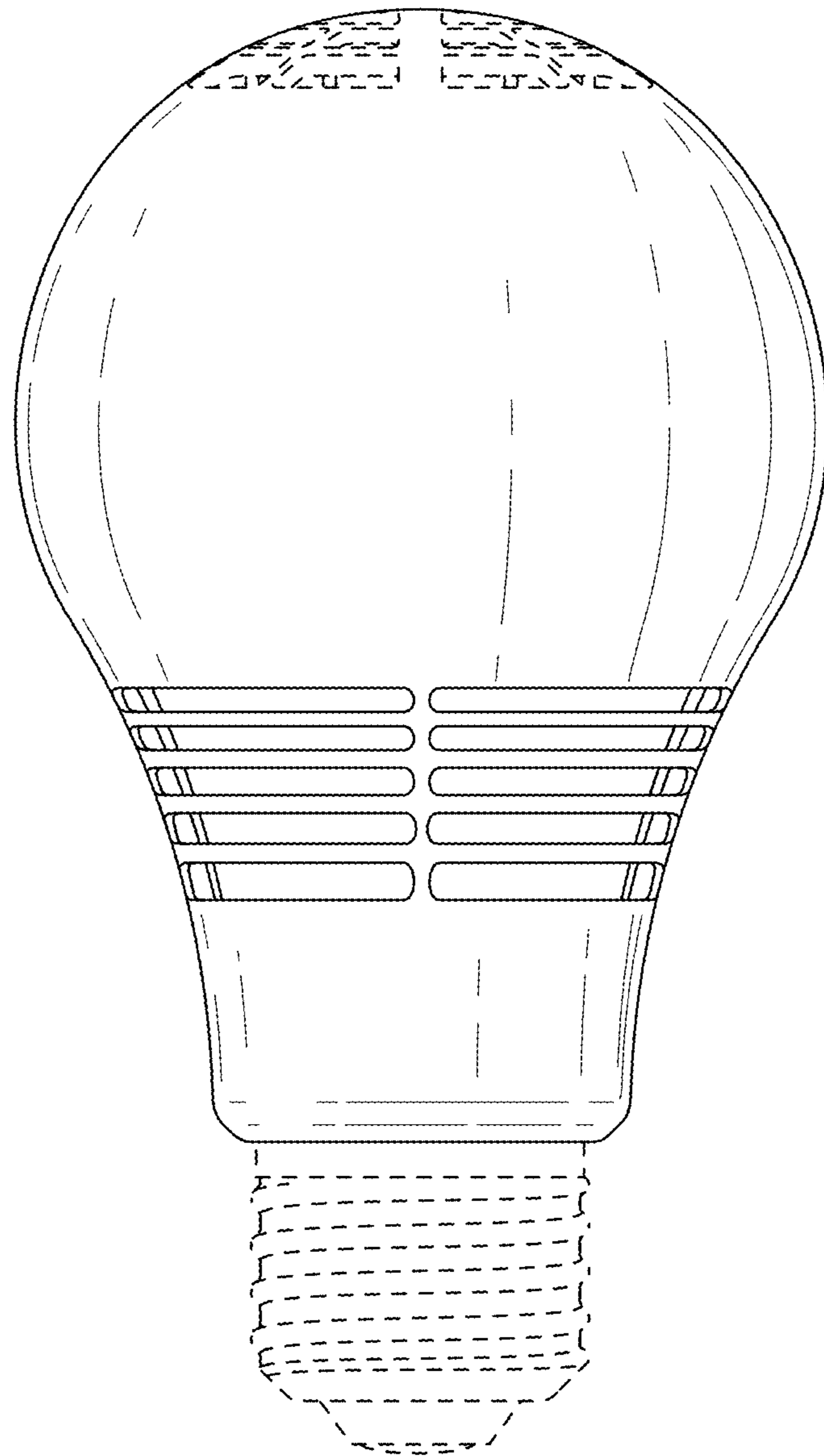


FIG. 3

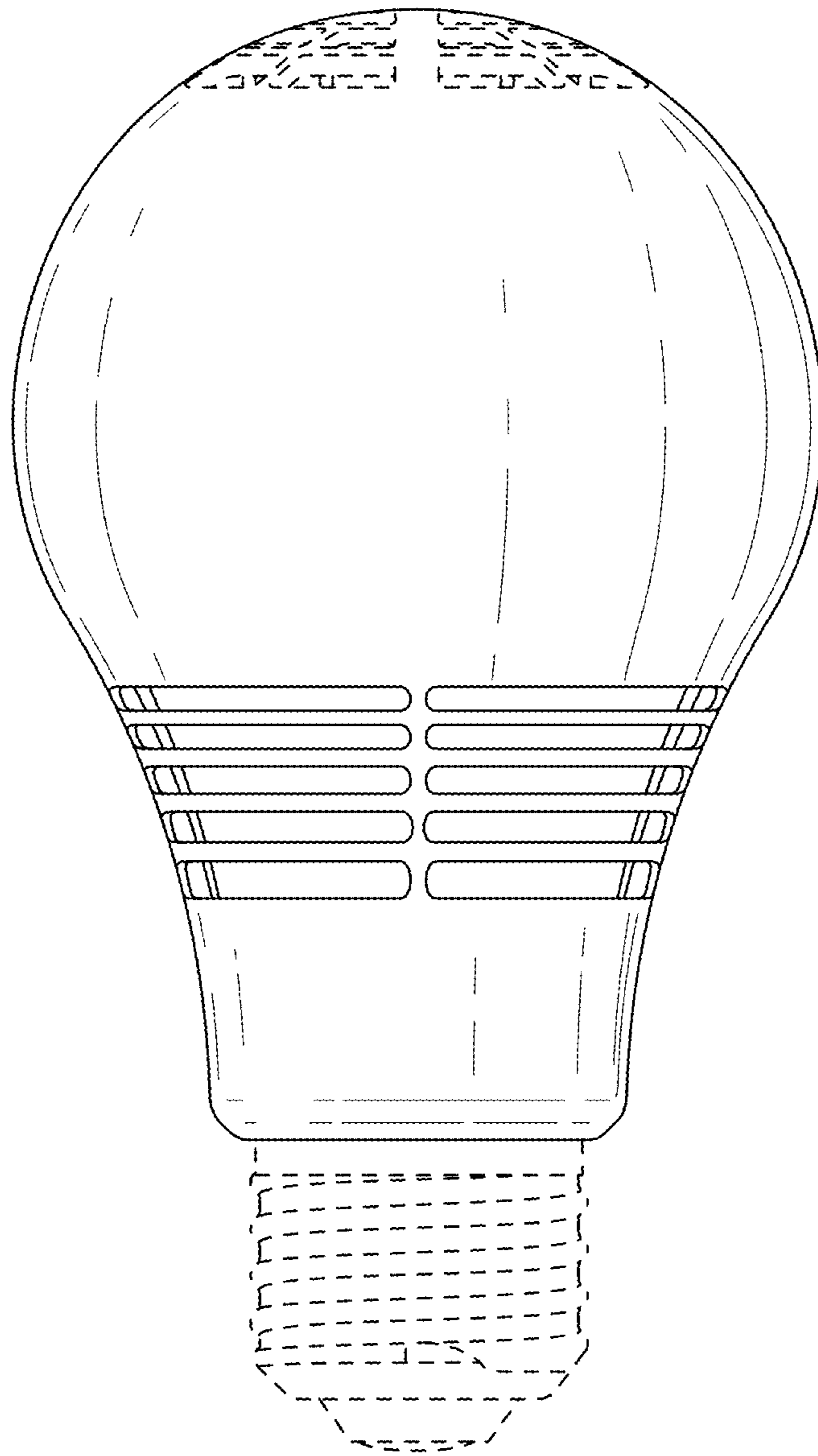


FIG. 4

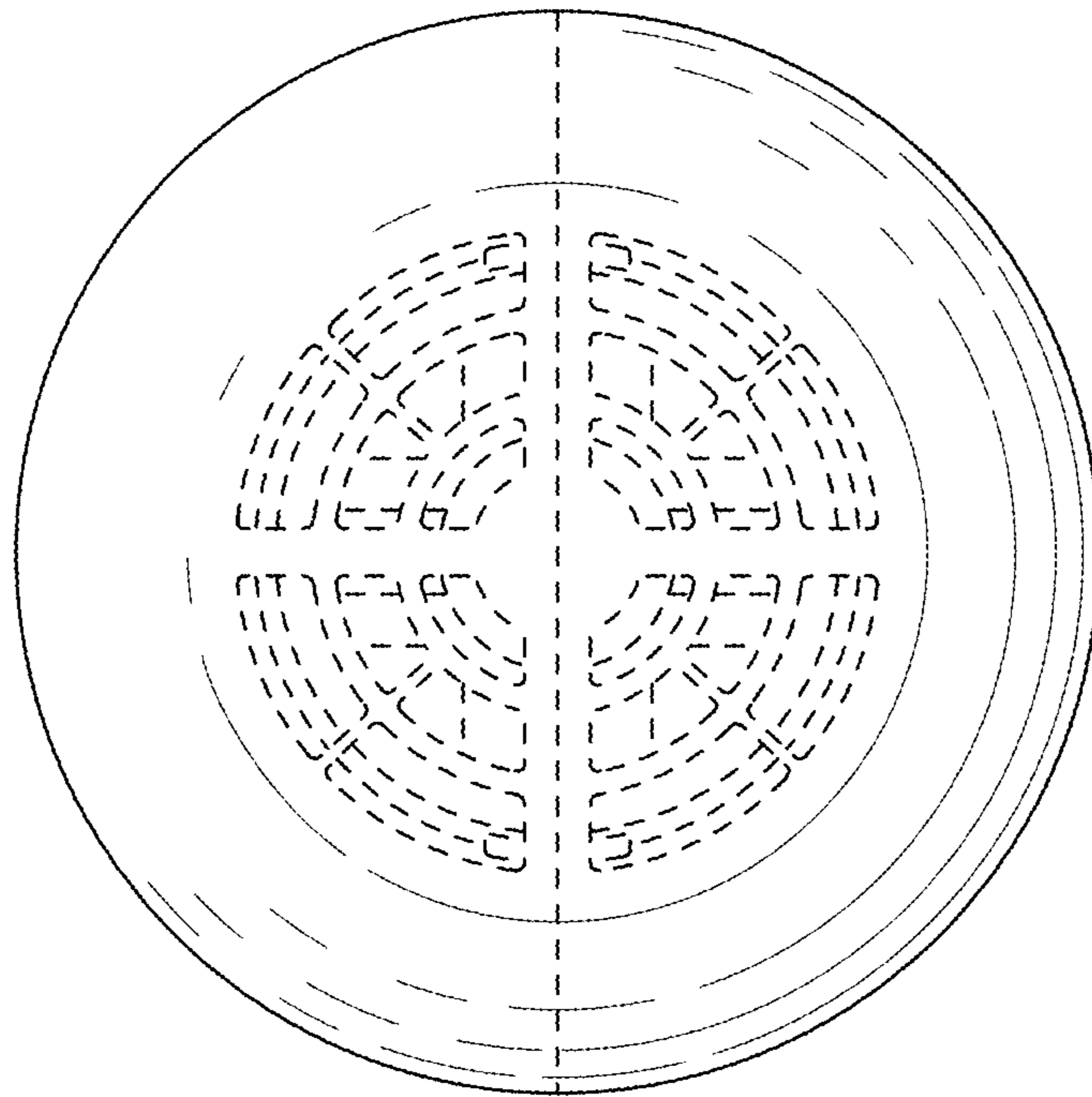


FIG. 5

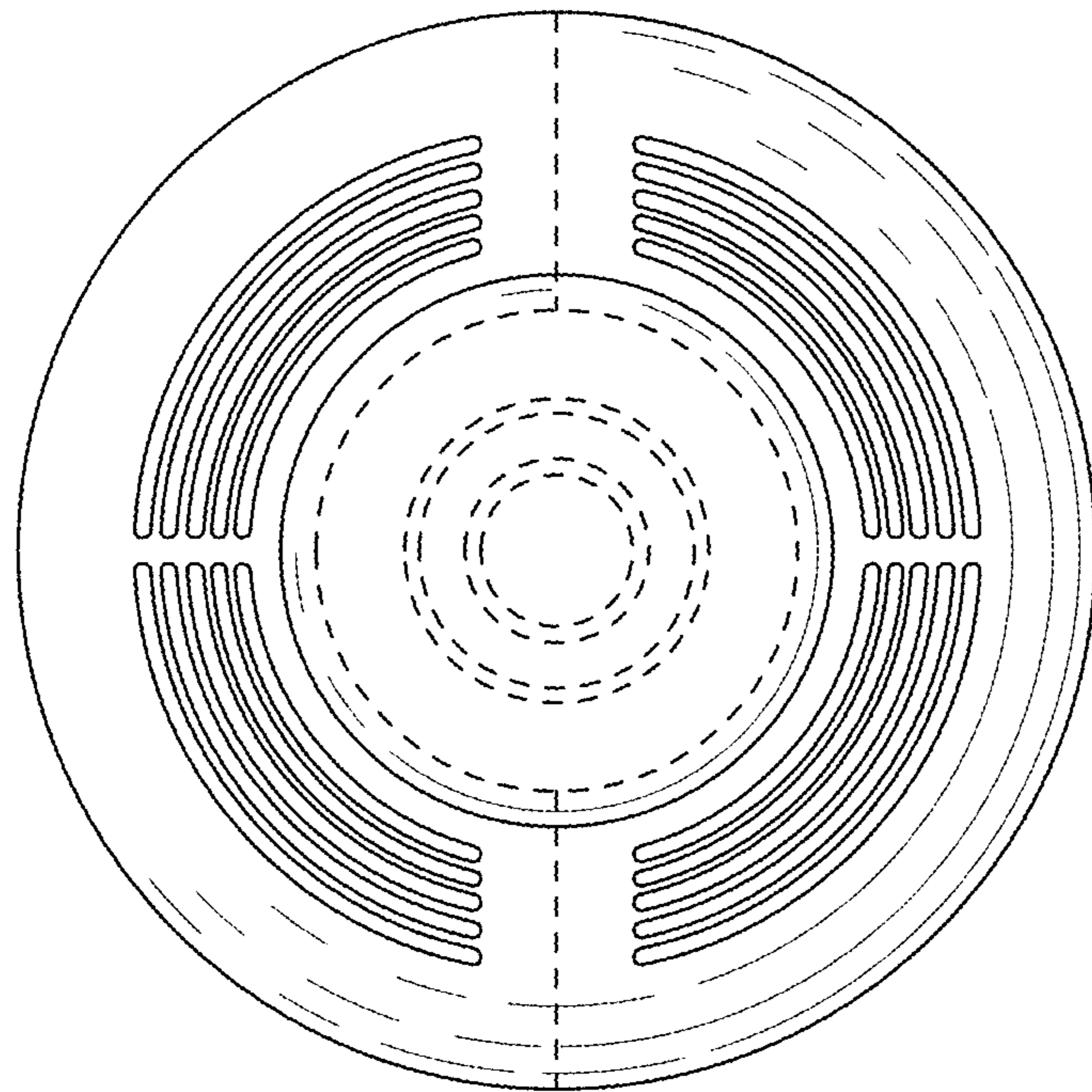


FIG. 6

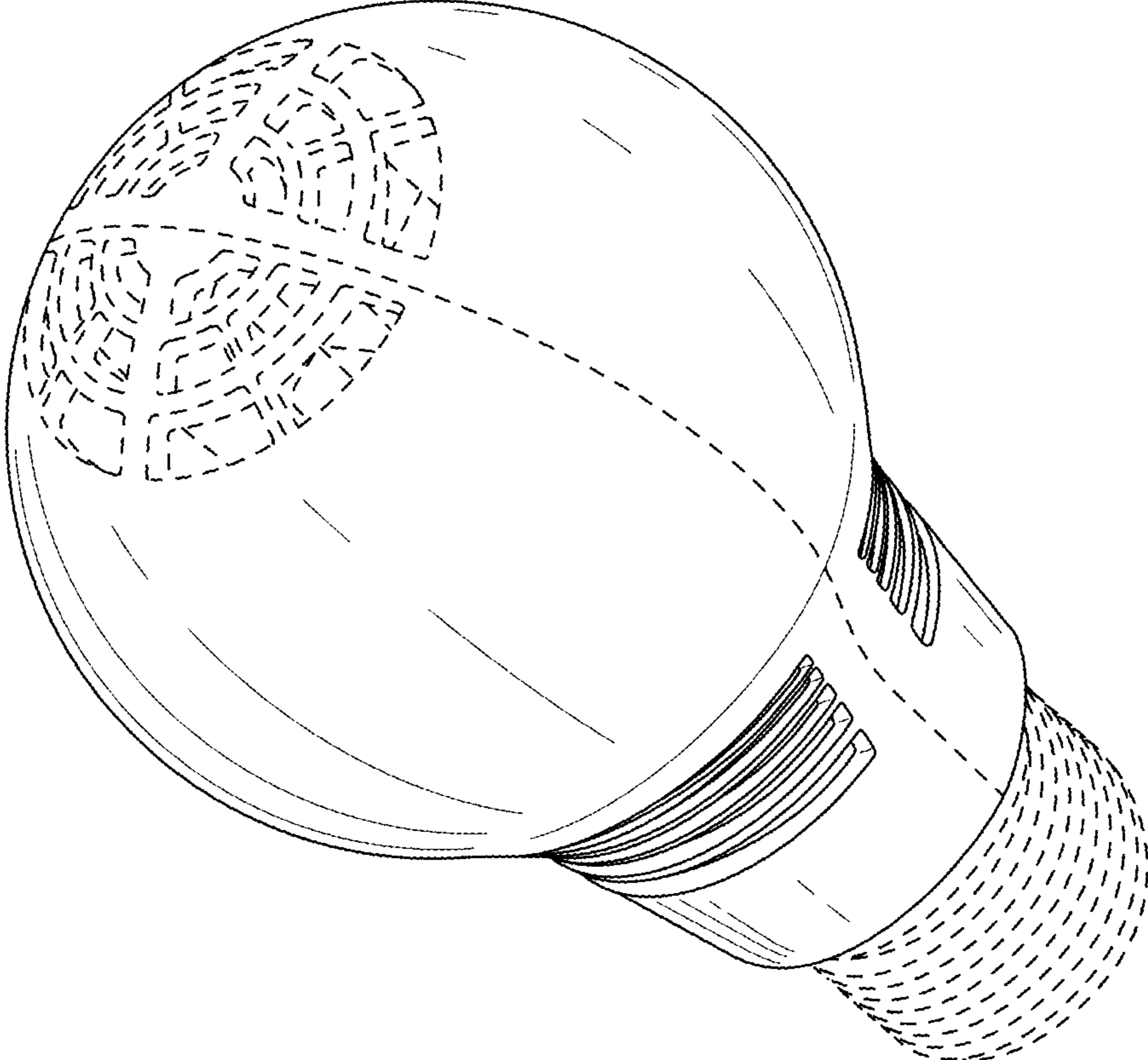


FIG. 7