



US00D747011S

(12) **United States Design Patent**  
**Progl et al.**

(10) **Patent No.:** **US D747,011 S**  
(45) **Date of Patent:** **\*\* Jan. 5, 2016**

(54) **LED LAMP**

(71) Applicant: **Cree, Inc.**, Durham, NC (US)

(72) Inventors: **Curt Progl**, Raleigh, NC (US); **David Power**, Morrisville, NC (US); **Bart P. Reier**, Cary, NC (US)

(73) Assignee: **Cree, Inc.**, Durham, NC (US)

(\*\*) Term: **14 Years**

(21) Appl. No.: **29/492,058**

(22) Filed: **May 28, 2014**

(51) **LOC (10) Cl.** ..... **26-04**

(52) **U.S. Cl.**  
USPC ..... **D26/2**

(58) **Field of Classification Search**  
USPC ..... D26/1-4; 313/313, 315, 316, 317, 318,  
313/493; 315/52, 53, 56, 57, 58  
See application file for complete search history.

(56) **References Cited**

**U.S. PATENT DOCUMENTS**

D508,575 S *	8/2005	Buschmann et al.	.....	D26/2
D528,227 S *	9/2006	Chou et al.	.....	D26/2
D687,579 S	8/2013	Lu et al.		
D687,580 S	8/2013	Reier et al.		
D688,391 S	8/2013	Huang et al.		
D691,761 S	10/2013	Pratt et al.		
D693,948 S	11/2013	Reier et al.		
D702,375 S	4/2014	Pickard et al.		

**OTHER PUBLICATIONS**

U.S. Appl. No. 29/434,289, filed Oct. 11, 2012.

U.S. Appl. No. 29/435,254, filed Oct. 22, 2012.  
U.S. Appl. No. 29/484,541, filed Mar. 11, 2014.  
U.S. Appl. No. 29/452,550, filed Apr. 18, 2013.  
U.S. Appl. No. 29/489,654, filed May 1, 2014.  
U.S. Appl. No. 29/491,583, filed May 22, 2014.

\* cited by examiner

*Primary Examiner* — Marcus Jackson

(74) *Attorney, Agent, or Firm* — Dennis J. Williamson;  
Moore & Van Allen PLLC

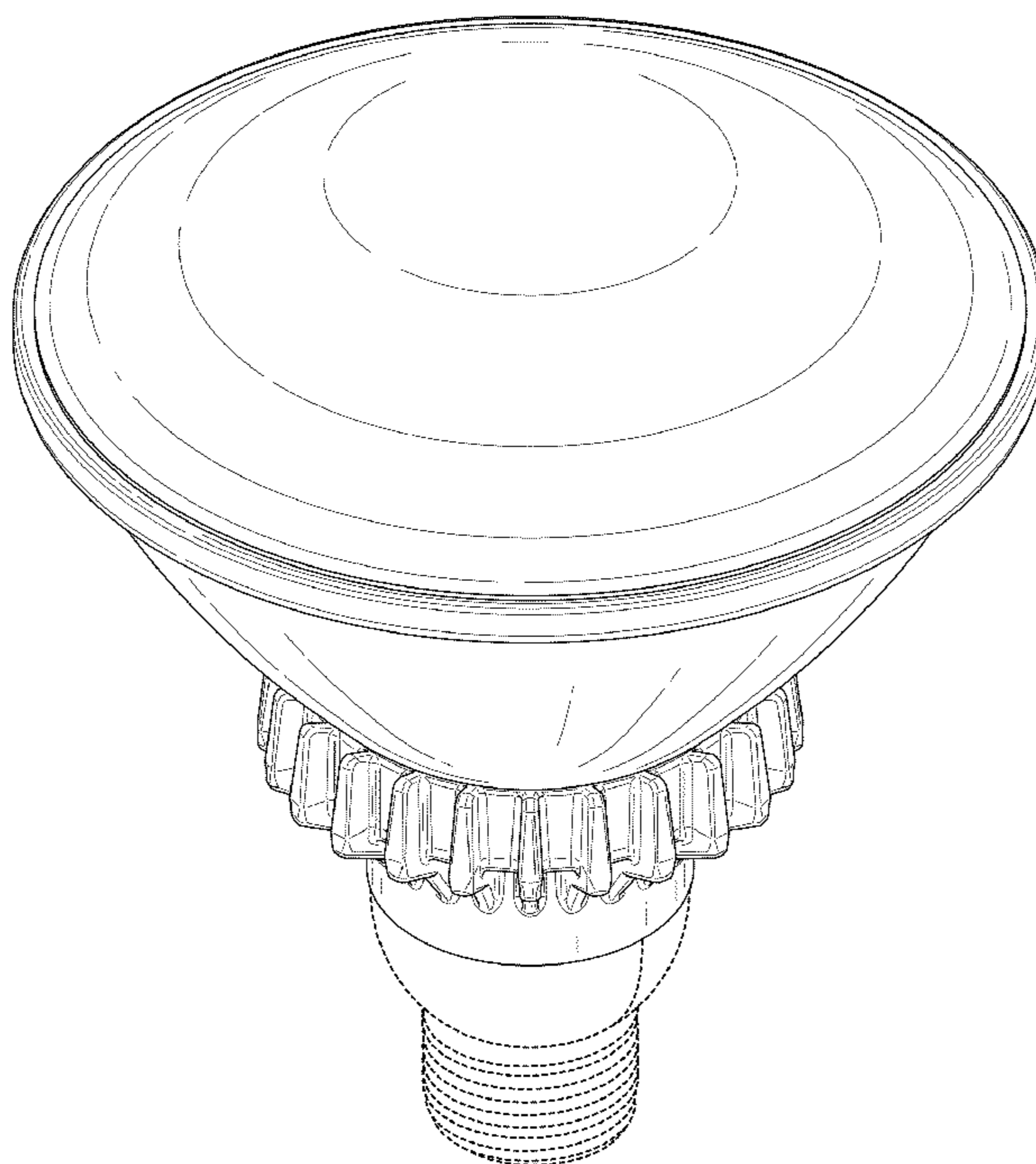
(57) **CLAIM**

We claim the ornamental design for a LED lamp, as shown and described.

**DESCRIPTION**

FIG. 1 is a front view showing an embodiment of our new design for a LED lamp;  
FIG. 2 is a right side view showing our new design shown in FIG. 1;  
FIG. 3 is a left side view showing our new design shown in FIG. 1;  
FIG. 4 is a back view showing our new design shown in FIG. 1;  
FIG. 5 is a top view showing our new design shown in FIG. 1;  
FIG. 6 is a bottom view showing our new design shown in FIG. 1; and,  
FIG. 7 is a perspective view showing our new design shown in FIG. 1.  
The portions shown in broken lines are not part of the claimed design but show the environment in which the design is associated.

**1 Claim, 7 Drawing Sheets**



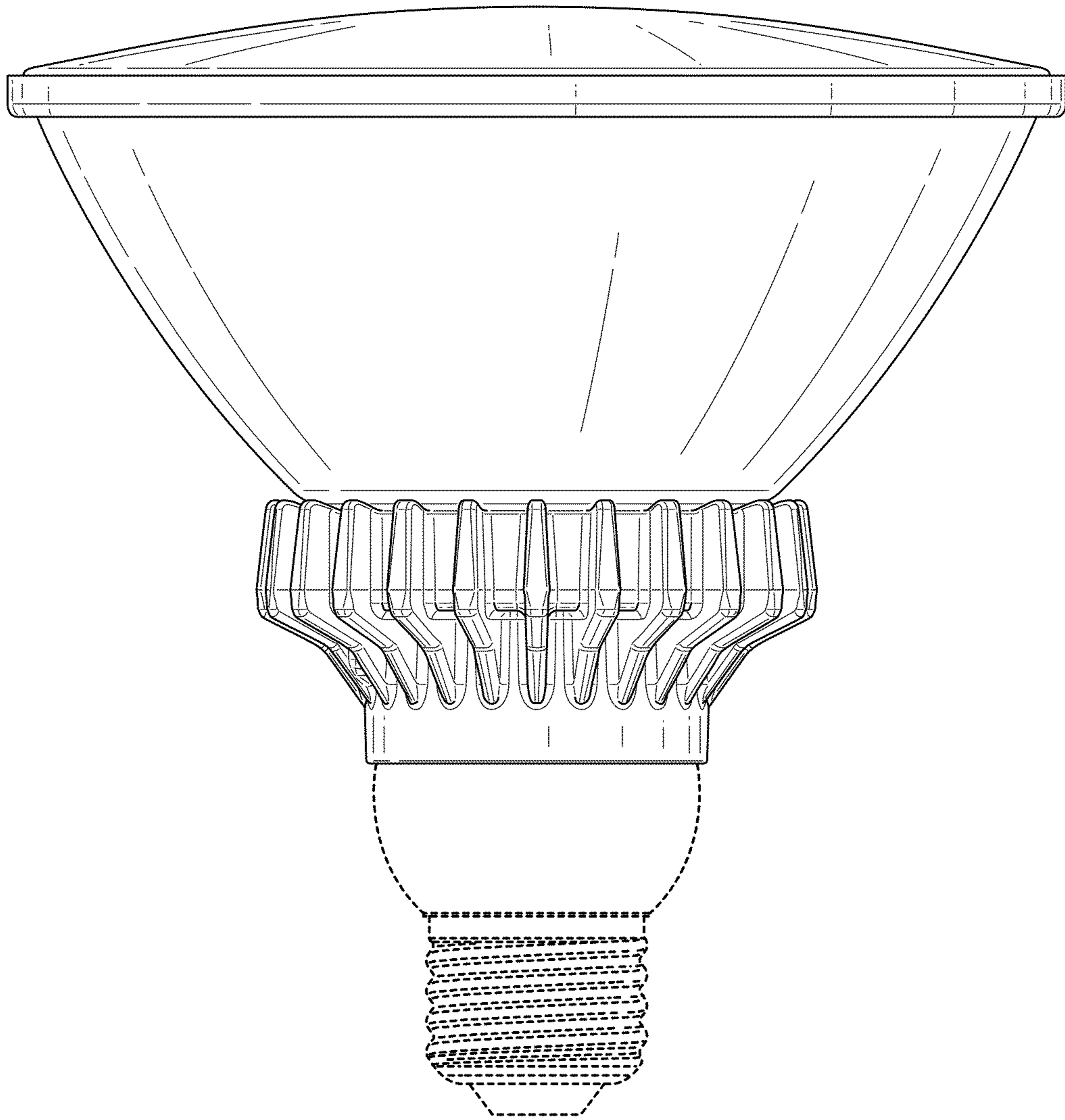


FIG. 1

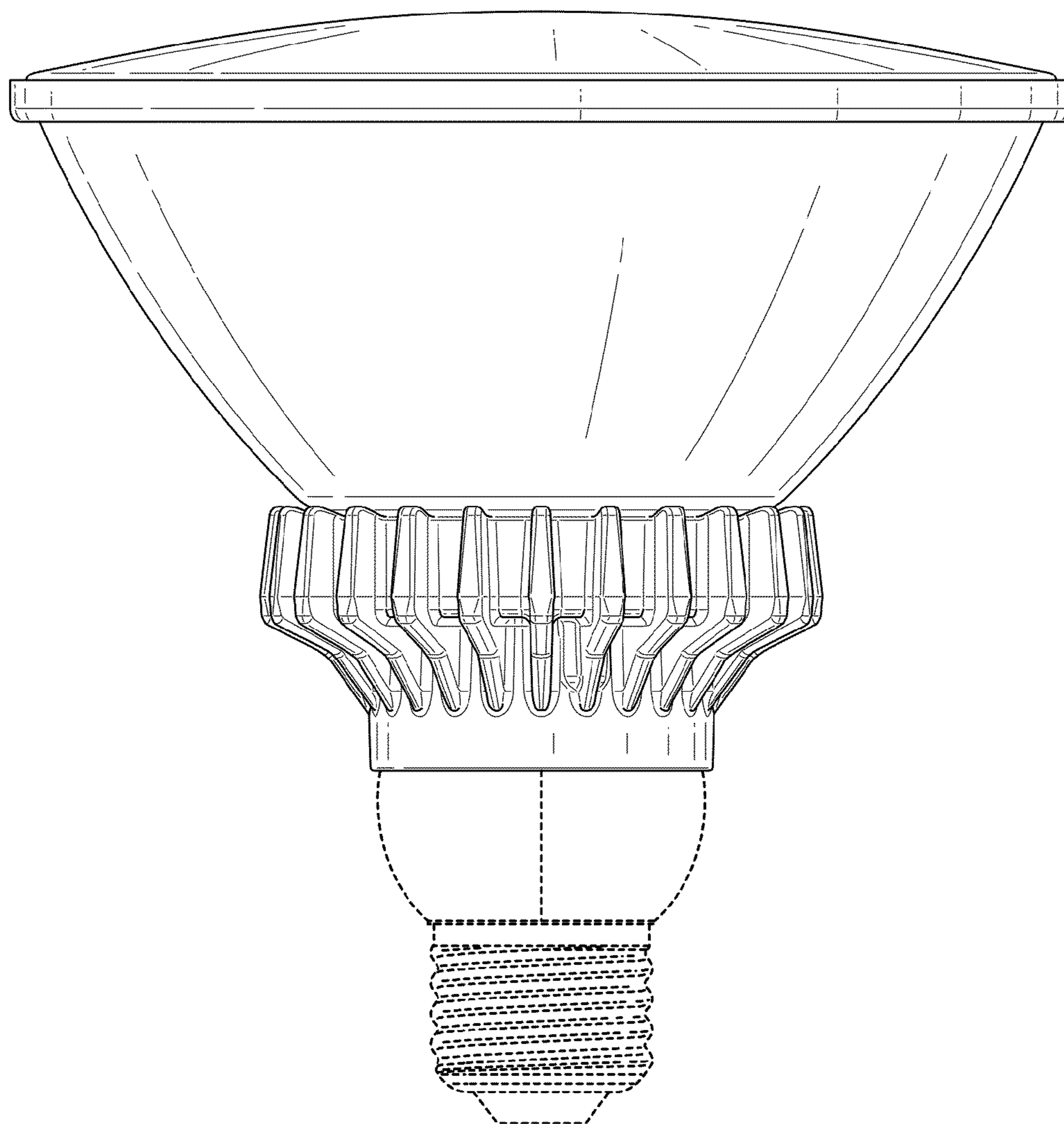


FIG. 2

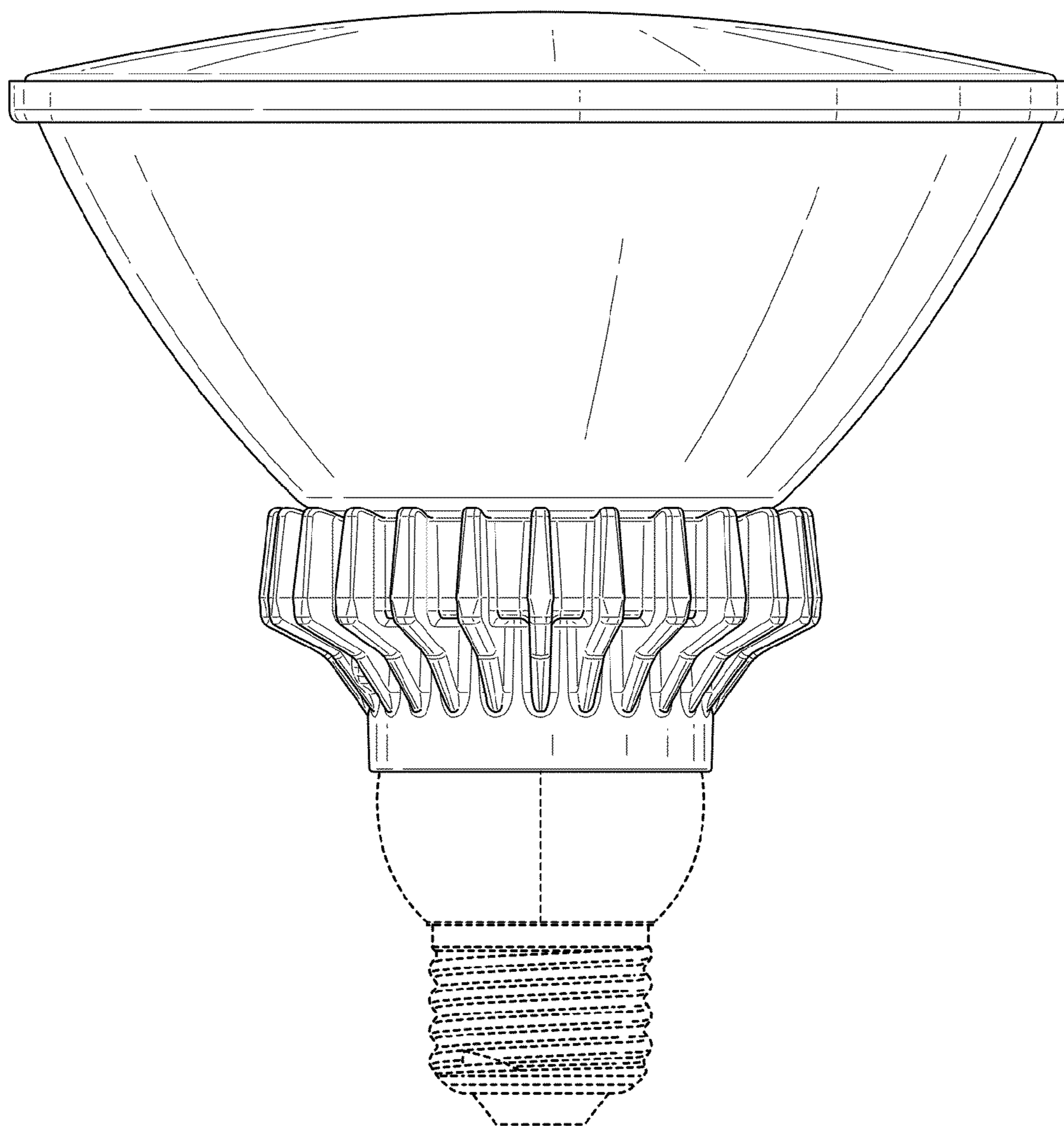


FIG. 3

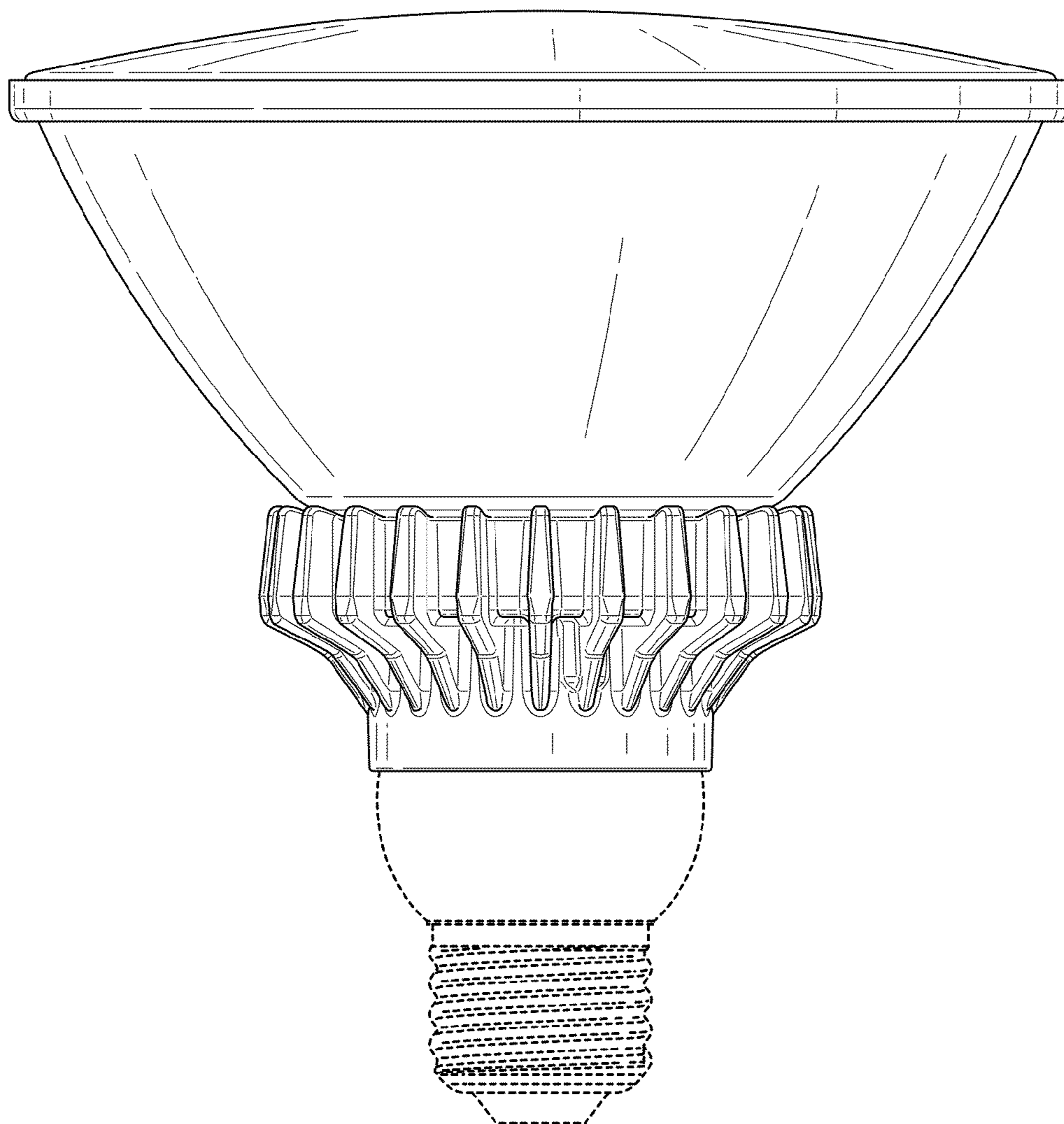


FIG. 4

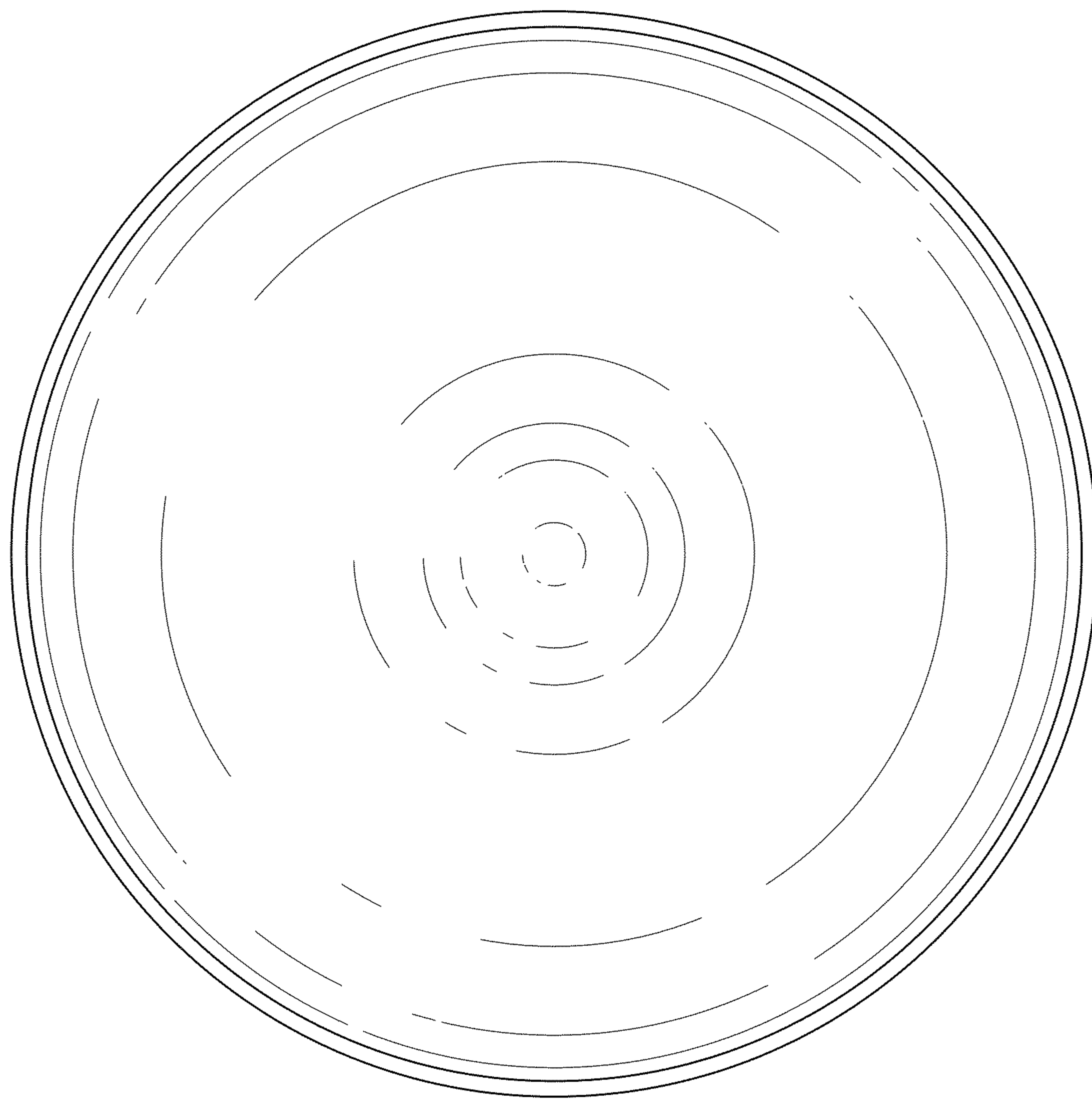


FIG. 5

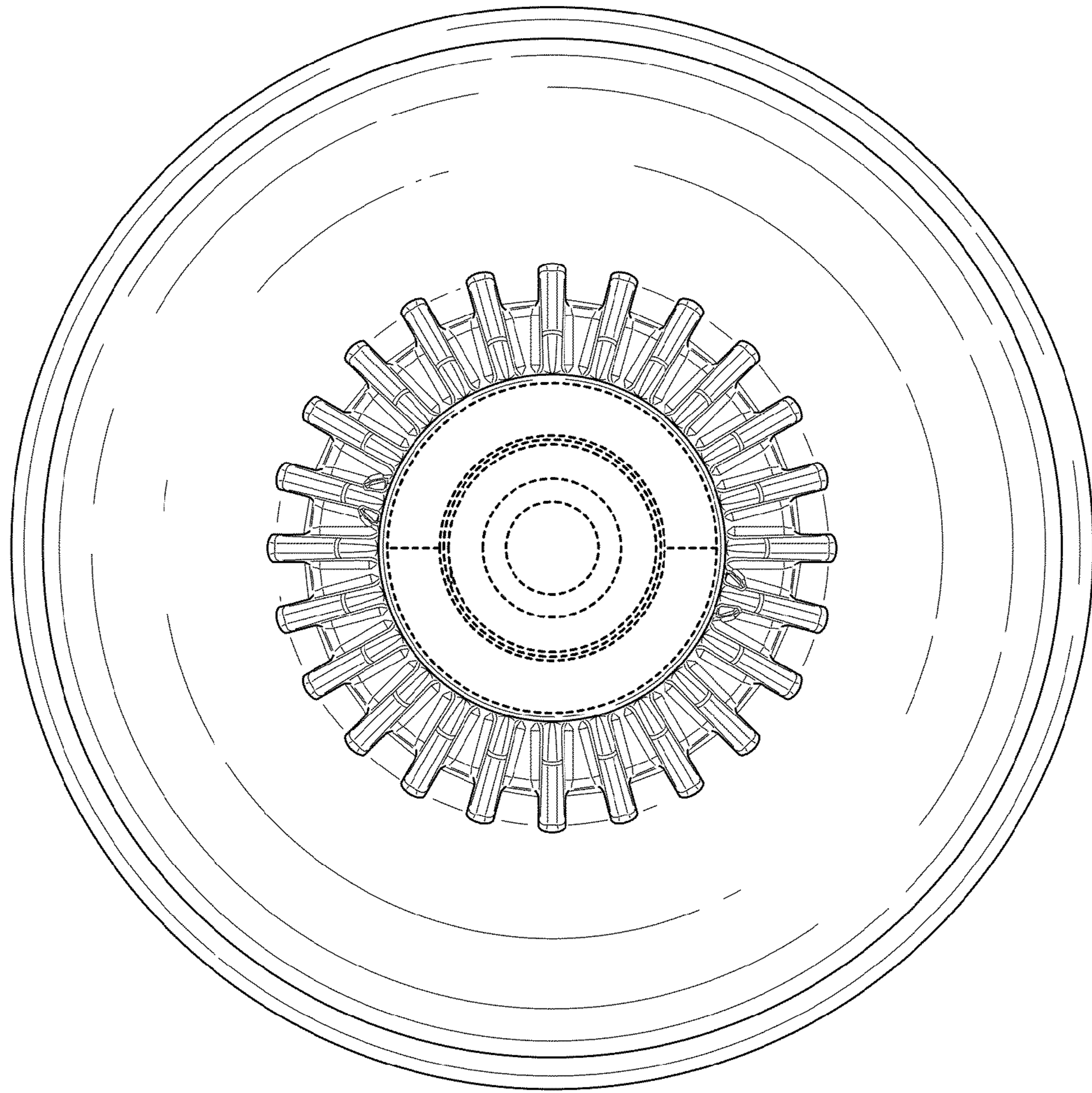


FIG. 6

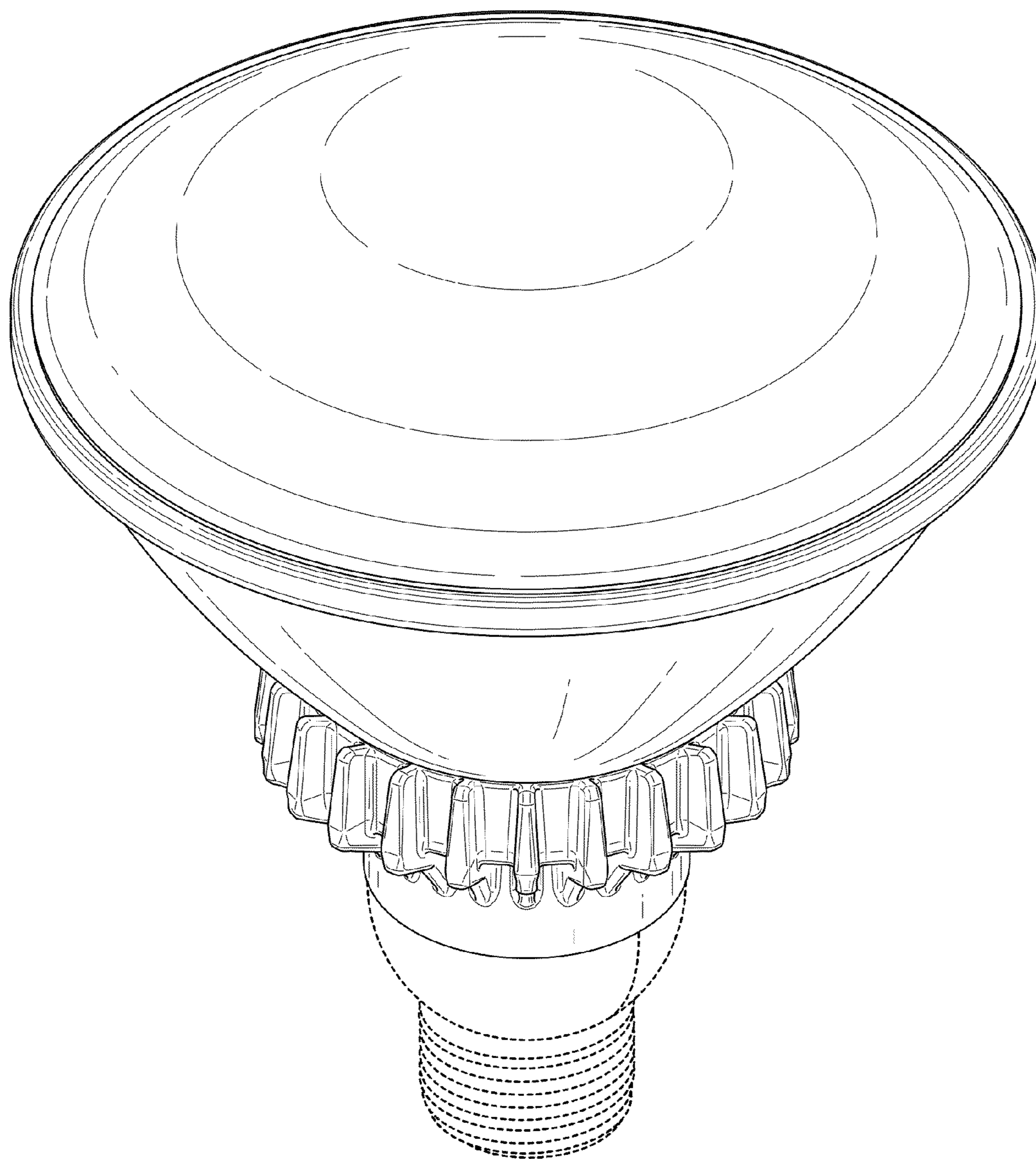


FIG. 7