



US00D747003S

(12) **United States Design Patent**
Bussewitz

(10) **Patent No.:** **US D747,003 S**
(45) **Date of Patent:** **** Jan. 5, 2016**

(54) **TREE STEP INCLUDING AN INTEGRATED SHANK**

(71) Applicant: **Bradly W. Bussewitz**, Swisher, IA (US)

(72) Inventor: **Bradly W. Bussewitz**, Swisher, IA (US)

(**) Term: **14 Years**

(21) Appl. No.: **29/493,263**

(22) Filed: **Jun. 6, 2014**

(51) **LOC (10) Cl.** **25-04**

(52) **U.S. Cl.**
USPC **D25/69**

(58) **Field of Classification Search**
USPC D25/62, 68, 69
CPC A63B 27/00; A63B 27/02; E04H 4/144
See application file for complete search history.

(56) **References Cited**

U.S. PATENT DOCUMENTS

51,660	A	12/1865	Nobles	
1,495,044	A	5/1924	Priebe	
2,437,762	A	3/1948	Louis	
3,298,459	A	1/1967	Bergsten	
3,380,697	A	4/1968	Melcher	
3,399,746	A	9/1968	Wood	
3,498,409	A *	3/1970	Meyer	182/92
D255,213	S	6/1980	Fischer	
4,413,706	A *	11/1983	Michael	182/91
4,450,936	A	5/1984	Strom	
4,700,807	A	10/1987	Kubiak	
4,775,030	A	10/1988	Wright	
4,856,953	A	8/1989	Lin	
4,867,272	A	9/1989	Troubridge	
5,086,873	A	2/1992	George	
5,207,404	A	5/1993	Reinhard	
D348,215	S	6/1994	Melhorn	
5,624,007	A	4/1997	Mahaffy	
5,743,353	A	4/1998	Browning et al.	
5,755,178	A	5/1998	Lush	
5,806,625	A	9/1998	Katz	
5,887,677	A	3/1999	Malmgren	
5,899,124	A	5/1999	Cross, Jr.	
6,439,343	B1	8/2002	Jorges et al.	
6,484,888	B2	11/2002	Miller	

6,729,437	B1 *	5/2004	Apple	182/92
7,017,449	B1	3/2006	Ritchings	
7,134,524	B2	11/2006	Sprague	
7,231,853	B1	6/2007	Burdge	
7,726,619	B2	6/2010	Lien	
D631,981	S	2/2011	Henry	
8,132,647	B2	3/2012	Salerno	
8,230,765	B1	7/2012	Cooley	
8,863,900	B1	10/2014	Bolinger	
D719,681	S *	12/2014	Gray	D25/69
2002/0029931	A1	3/2002	Bridges	
2002/0121406	A1	9/2002	Summers	
2007/0068347	A1	3/2007	Smith	
2010/0050823	A1	3/2010	Blankenship	
2011/0204584	A1	8/2011	Watts et al.	
2014/0251727	A1	9/2014	Wilmoth et al.	

* cited by examiner

Primary Examiner — Doris Clark

(74) *Attorney, Agent, or Firm* — Neal, Gerber & Eisenberg LLP

(57) **CLAIM**

I claim the ornamental design for a tree step including an integrated shank, as shown and described.

DESCRIPTION

FIG. 1 is a top front left perspective view of one embodiment of a tree step including an integrated shank of my new design, that portion shown in phantom is not part of the design sought to be patented and is provided for environmental purposes only.

FIG. 2 is another top front left perspective view of the tree step of my new design illustrated in FIG. 1, that portion shown in phantom is not part of the design sought to be patented and is provided for environmental purposes only.

FIG. 3 is a front side elevational view of the tree step of my new design illustrated in FIG. 1, that portion shown in phantom is not part of the design sought to be patented and is provided for environmental purposes only. The rear side elevational view of the tree step of my new design is a mirror image of the front side elevational view shown.

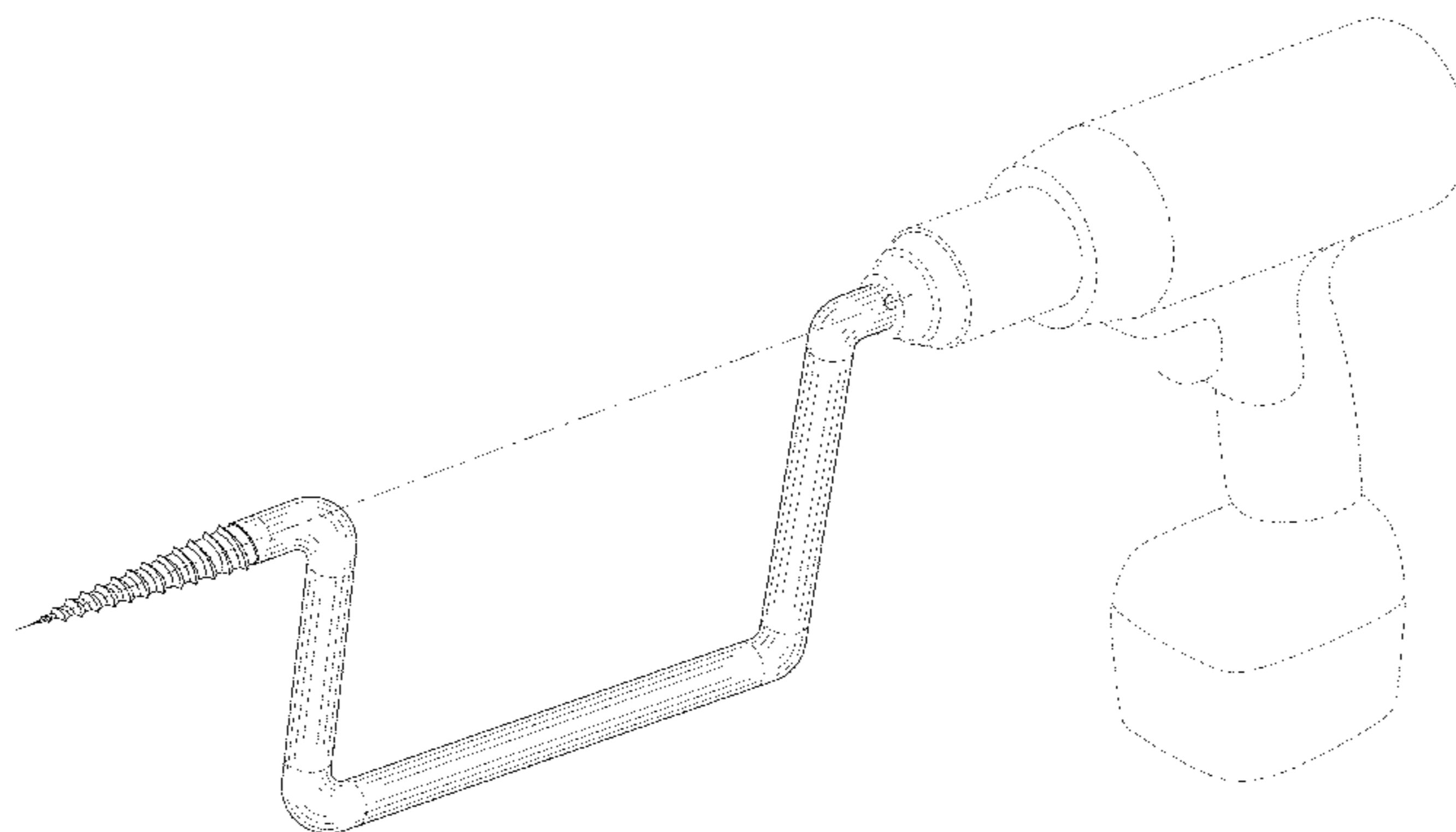


FIG. 4 is a top plan view of the tree step of my new design illustrated in FIG. 1, that portion shown in phantom is not part of the design sought to be patented and is provided for environmental purposes only.

FIG. 5 is a bottom plan view of the tree step of my new design illustrated in FIG. 1, that portion shown in phantom is not part of the design sought to be patented and is provided for environmental purposes only,

FIG. 6 is a left side elevational view of the tree step of my new design illustrated in FIG. 1, that portion shown in phantom is not part of the design sought to be patented and is provided for environmental purposes only.

FIG. 7 is a right side elevational view of the tree step of my new design illustrated in FIG. 1, that portion shown in phantom is not part of the design sought to be patented and is provided for environmental purposes only.

FIG. 8 is a top front left perspective view of another embodiment of a tree step including an integrated shank of my new design, that portion shown in phantom is not part of the design sought to be patented and is provided for environmental purposes only.

FIG. 9 is another top front tell perspective view of the tree step of my new design illustrated in FIG. 8, that portion shown in phantom is not part of the design sought to be patented and is provided for environmental purposes only.

FIG. 10 is a front side elevational view of the tree step of my new design illustrated in FIG. 8, that portion shown in phantom is not part of the design sought to be patented and is provided for environmental purposes only. The rear side elevational view of the tree step of my new design is a mirror image of the front side elevational view shown.

FIG. 11 is a top plan view of the tree step of my new design illustrated in FIG. 8, that portion shown in phantom is not part of the design sought to be patented and is provided for environmental purposes only.

FIG. 12 is a bottom plan view of the tree step of my new design illustrated in FIG. 8, that portion shown in phantom is not part of the design sought to be patented and is provided for environmental purposes only.

FIG. 13 is a left side elevational view of the tree step of my new design illustrated in FIG. 8, that portion shown in phantom is not part of the design sought to be patented and is provided for environmental purposes only; and,

FIG. 14 is a right side elevational view of the tree step of my new design illustrated in FIG. 8, that portion shown in phantom is not part of the design sought to be patented and is provided for environmental purposes only.

1 Claim, 6 Drawing Sheets

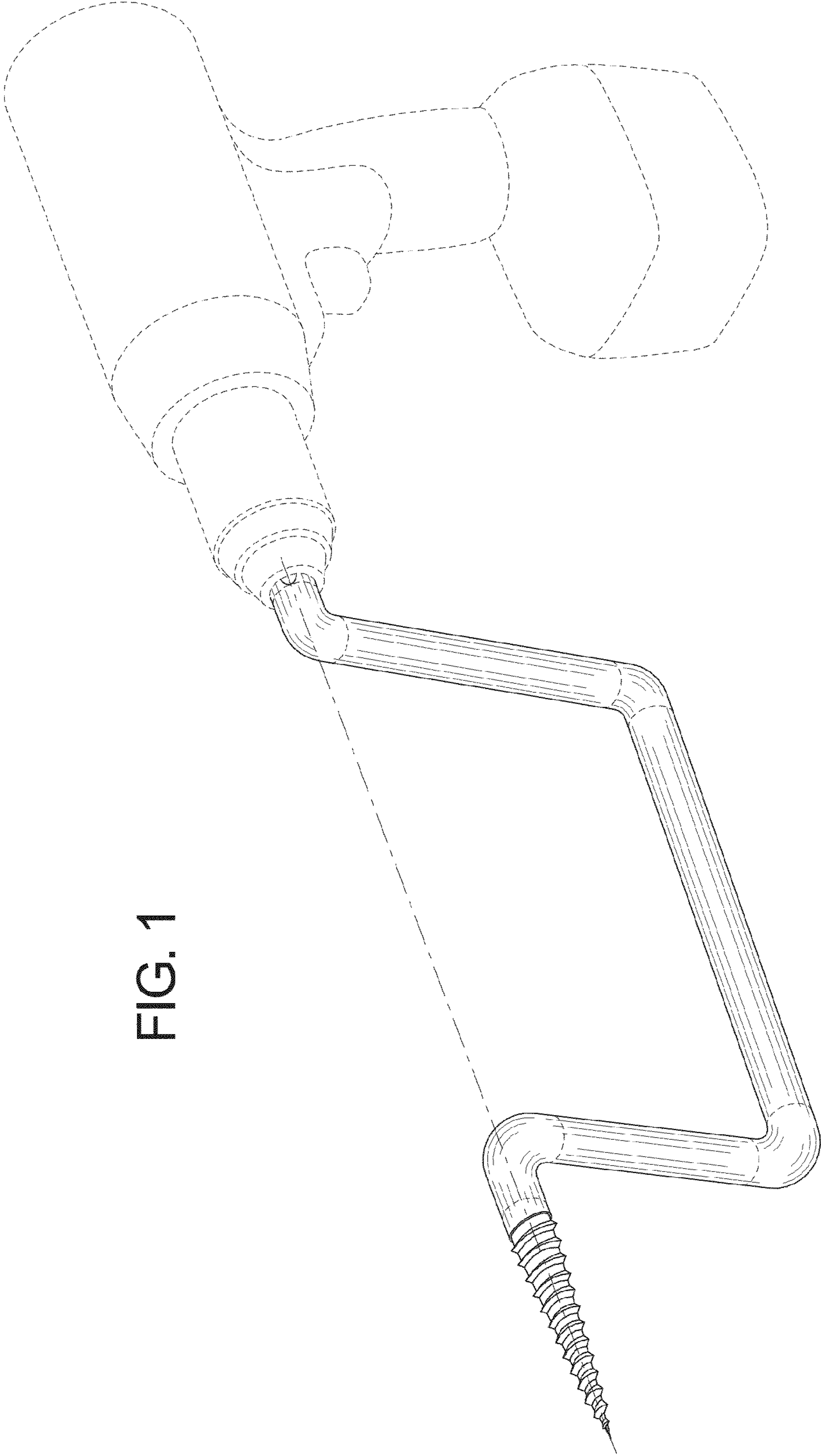


FIG. 1

FIG. 2

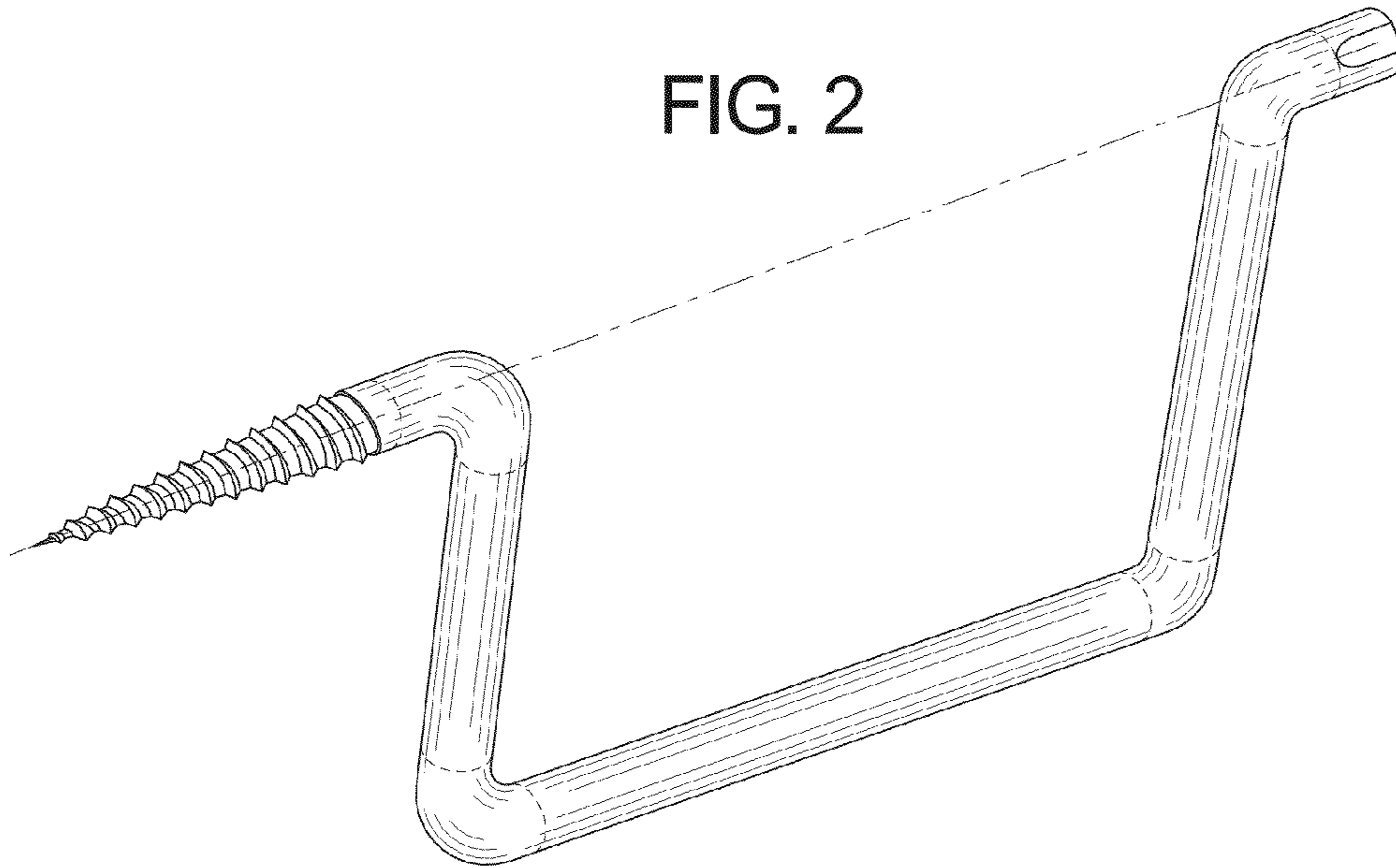


FIG. 3

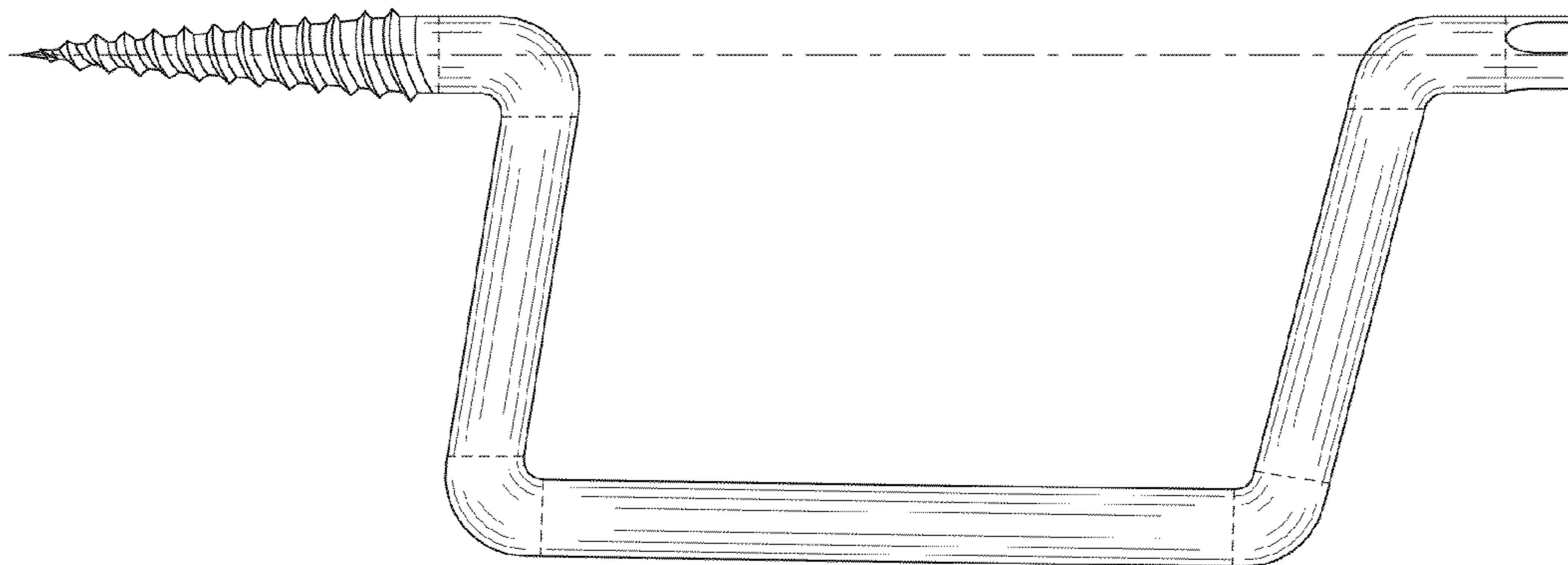


FIG. 4

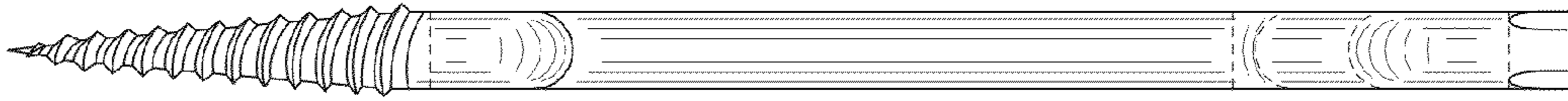


FIG. 5

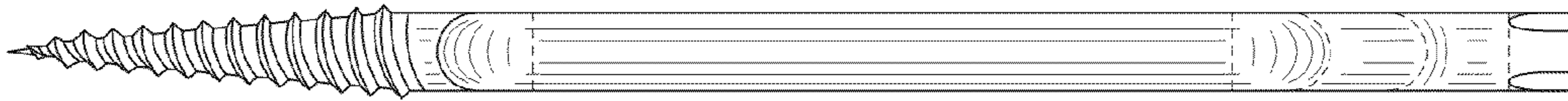


FIG. 6

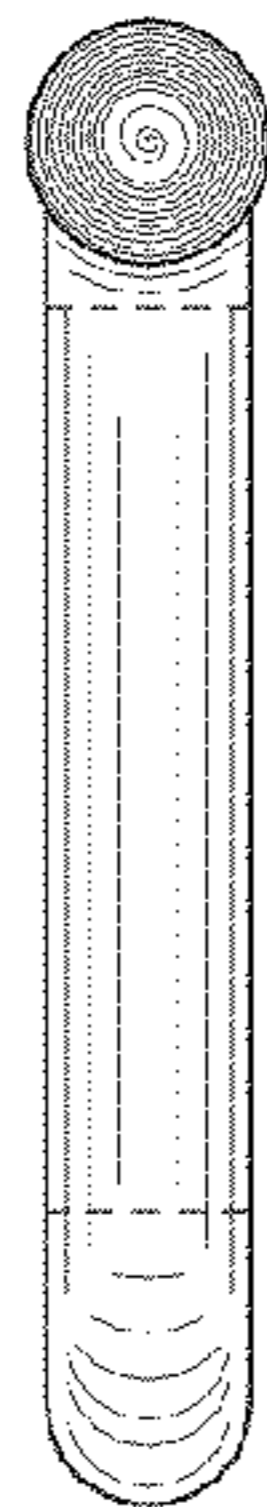
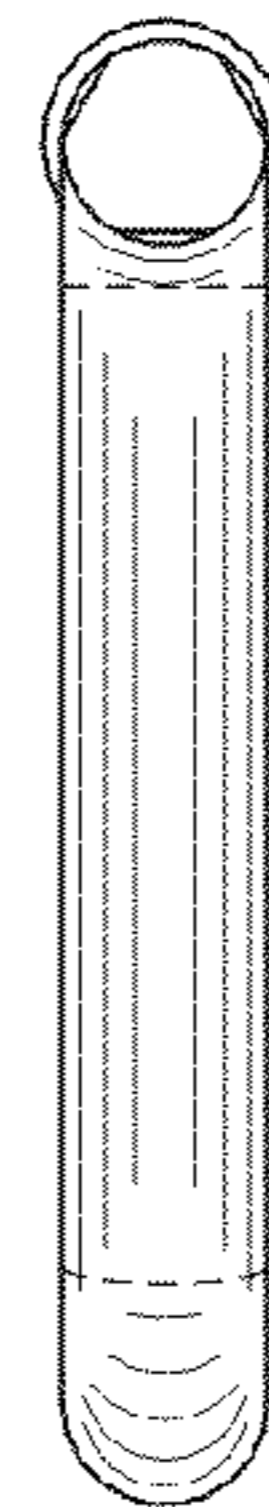


FIG. 7



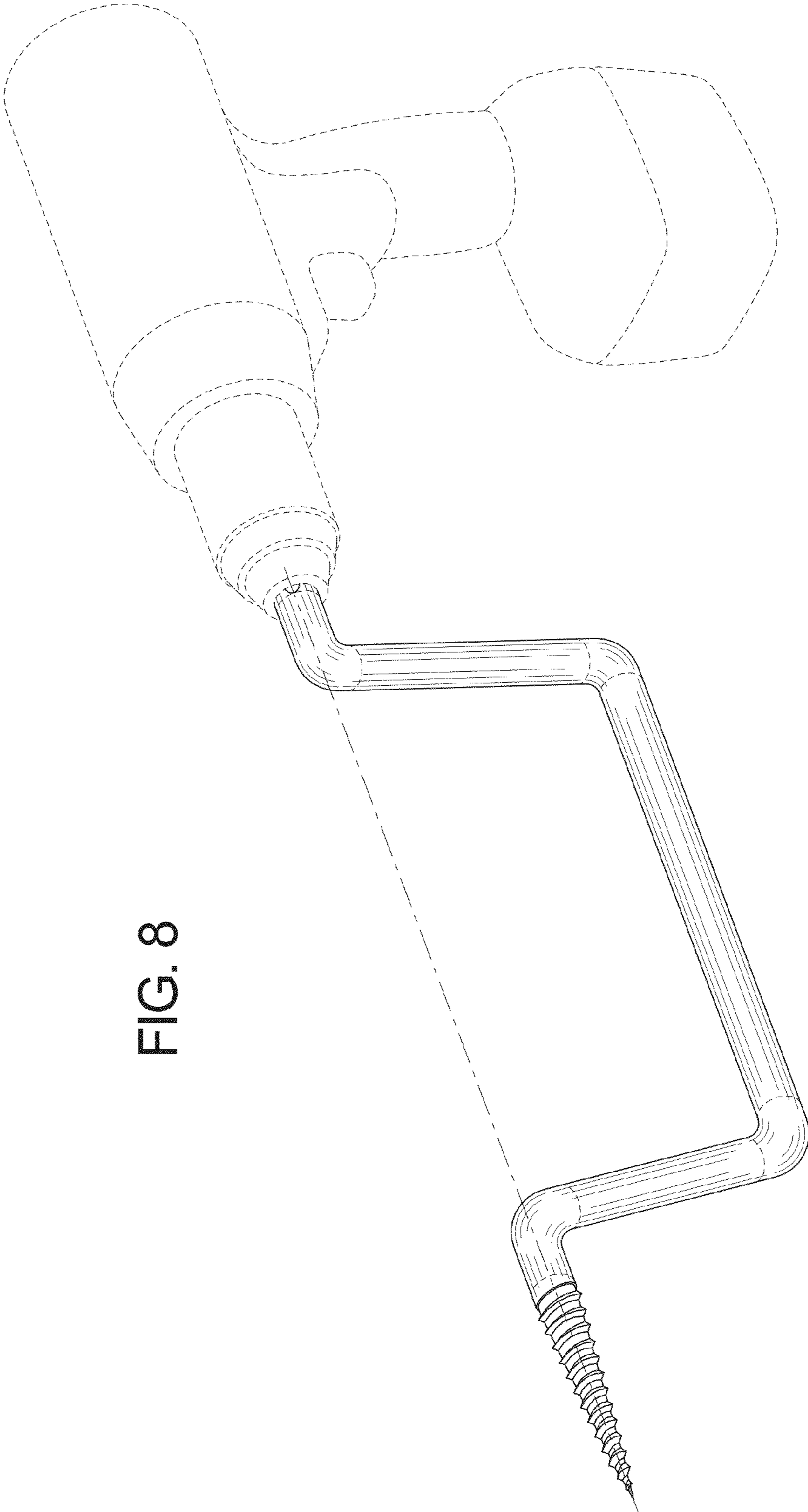


FIG. 8

FIG. 9

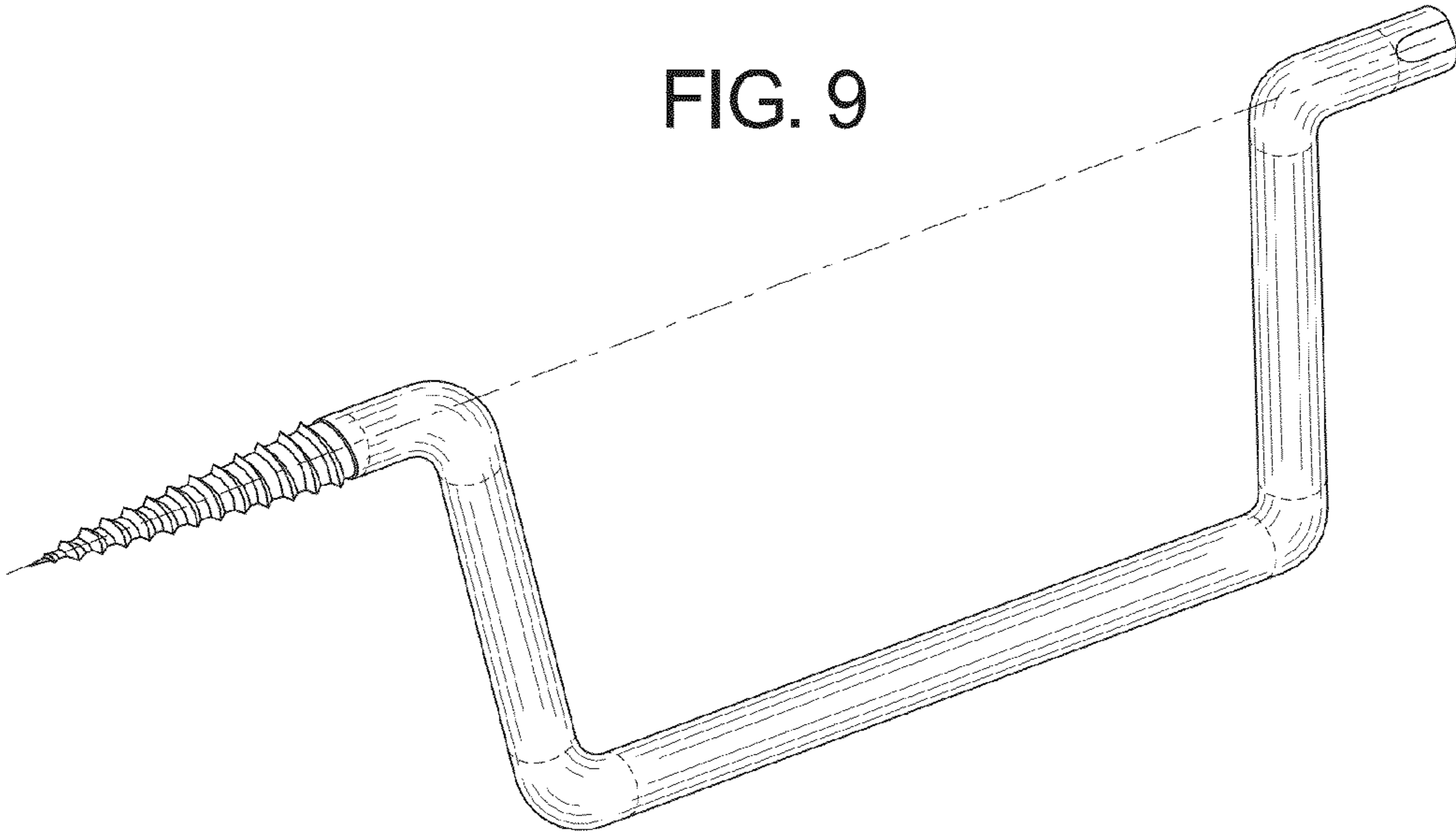


FIG. 10

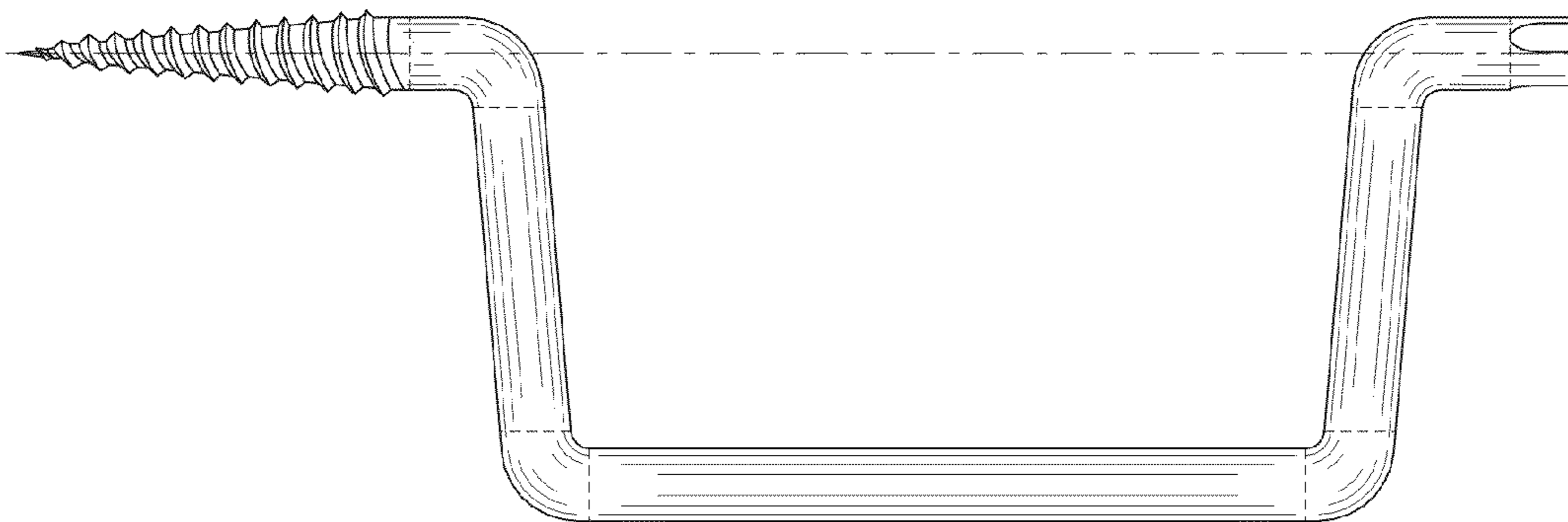


FIG. 11

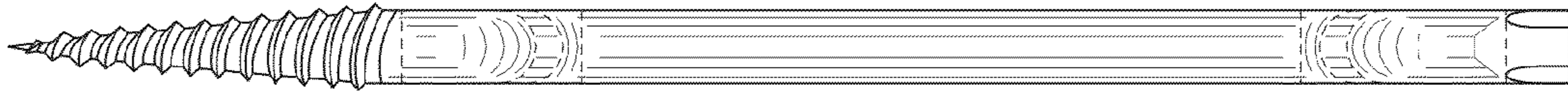


FIG. 12

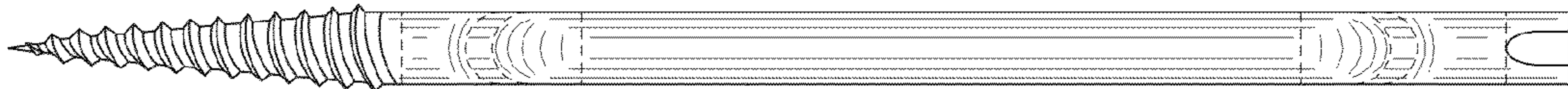


FIG. 13

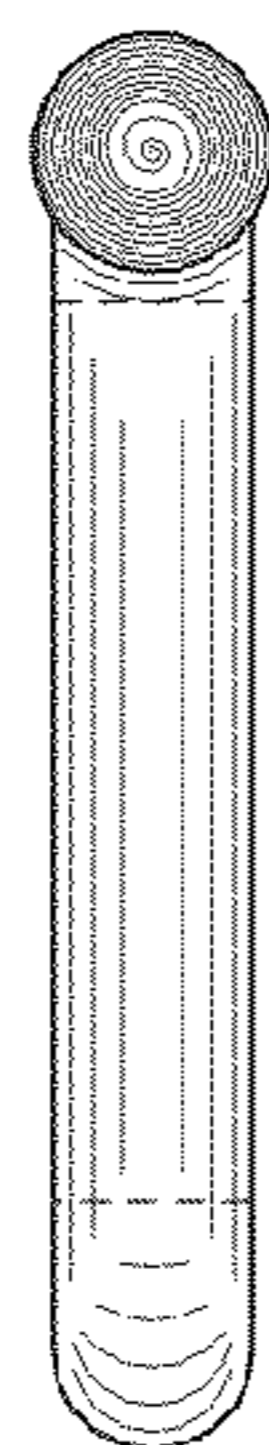


FIG. 14

