



US00D747002S

(12) **United States Design Patent**
Siegel et al.

(10) **Patent No.:** **US D747,002 S**
(45) **Date of Patent:** **** Jan. 5, 2016**

(54) **STAIRCASE**

(56) **References Cited**

(71) Applicant: **Apple Inc.**, Cupertino, CA (US)

U.S. PATENT DOCUMENTS

(72) Inventors: **Jonathan P. Siegel**, San Francisco, CA (US); **Scott David Hazard**, Campbell, CA (US); **Robert Bridger**, Woodside, CA (US); **Benjamin L. Fay**, Palo Alto, CA (US); **Ronald Bruce Johnson**, Atherton, CA (US); **Stefan Behling**, London (GB); **David Summerfield**, London (GB); **David Nelson**, London (GB); **James McGrath**, Cupertino, CA (US); **Rafe Bertram**, London (GB); **Nicos Yiatros**, London (GB); **James O'Callaghan**, Winchester (GB); **Graham Coult**, Milford (GB); **Vladimir Marinov**, London (GB); **Franklin Lancaster**, Brooklyn, NY (US); **Holger Krueger**, Schwabmuenchen (DE); **Stefan Marinitsch**, London (GB); **Michael C. Mulhern**, Westford, MA (US); **Karl Backus**, Emeryville, CA (US); **Peter Bohlin**, Waverly, PA (US); **George Bradley**, San Francisco, CA (US)

3,290,839	A	12/1966	Theisen	
3,331,467	A *	7/1967	Blum et al.	182/106
3,747,709	A *	7/1973	Ridenour	182/219
D478,999	S	8/2003	Jobs et al.	
D481,467	S	10/2003	Brice	
7,165,362	B2	1/2007	Jobs et al.	
D681,850	S *	5/2013	Daly	D25/63

(Continued)

OTHER PUBLICATIONS

Kourakis, I., et al., "Design of a Glass Stair," 2010 Structures Congress, pp. 2650-2659, American Society of Civil Engineers, dated May 2010, 10 pages.

(Continued)

Primary Examiner — Doris Clark

(74) *Attorney, Agent, or Firm* — Sterne, Kessler, Goldstein & Fox P.L.L.C.

(57) **CLAIM**

The ornamental design for a staircase, as shown and described.

DESCRIPTION

(73) Assignee: **Apple Inc.**, Cupertino, CA (US)

(**) Term: **14 Years**

(21) Appl. No.: **29/486,444**

(22) Filed: **Mar. 28, 2014**

(51) **LOC (10) Cl.** **25-04**

(52) **U.S. Cl.**
USPC **D25/62**

(58) **Field of Classification Search**
USPC D25/62, 63
CPC ... E04F 11/035; E04F 11/025; E04F 11/0226;
E04F 11/022; E04F 11/02; E04F 11/0201;
E04F 11/09; E04F 11/1863

See application file for complete search history.

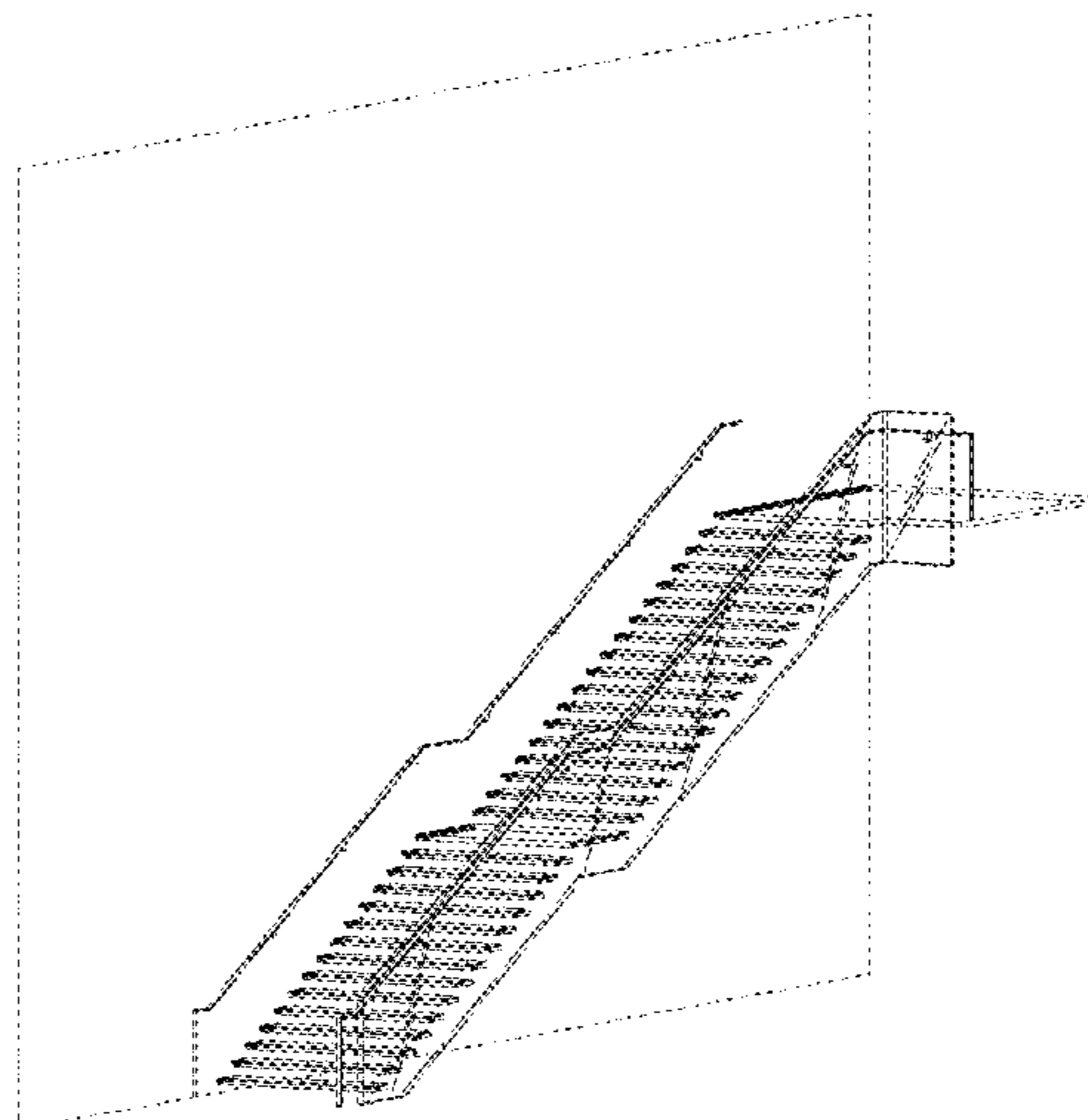
FIG. 1 is a front perspective view of a staircase showing our new design;
FIG. 2 is a front view thereof;
FIG. 3 is a rear view thereof;
FIG. 4 is a right side view thereof;
FIG. 5 is a top view thereof; and,
FIG. 6 is a bottom view thereof.

The broken lines in the Figures show portions of the staircase or environment that form no part of the claimed design.

The dot-dash lines in the Figures show unclaimed boundaries that form no part of the claimed design.

The oblique shade lines in the Figures show transparency and not surface ornamentation.

1 Claim, 4 Drawing Sheets



(56)

References Cited

U.S. PATENT DOCUMENTS

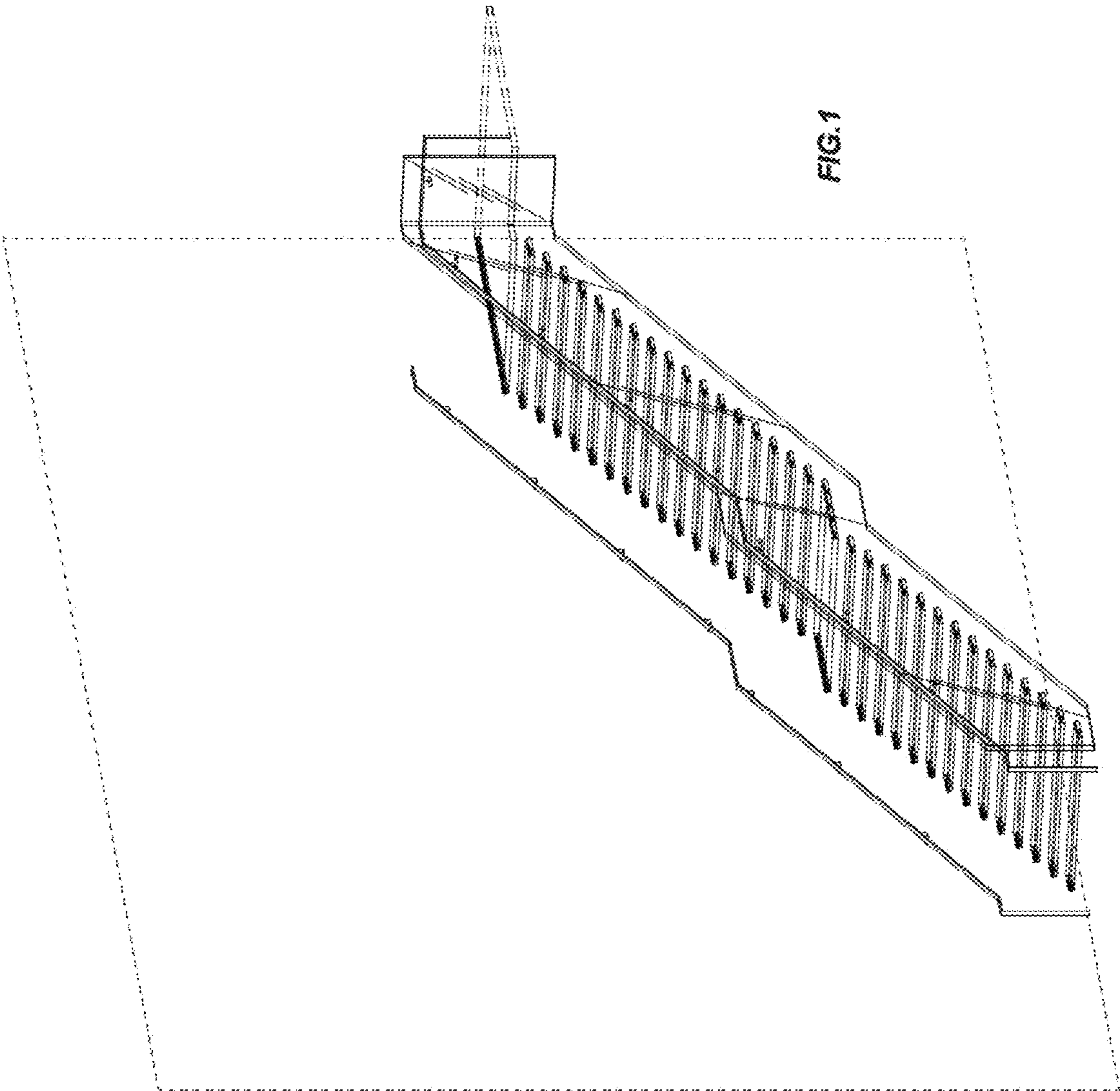
D695,913 S 12/2013 Backus et al.
D715,963 S 10/2014 Andreini et al.
2014/0079474 A1 3/2014 Andreini et al.

OTHER PUBLICATIONS

Images believed to be of Apple's Amsterdam (The Netherlands) store. Believed opened Mar. 3, 2012. Image source: <http://www.apple.com/nl/retail/amsterdam/> (accessed May 16, 2014).

Images believed to be of Apple's Boylston Street (Boston) store. Believed opened May 15, 2008. Image source: <http://www.apple.com/retail/boylstonstreet/> (accessed May 16, 2014).
ifo Apple Store, "Buchanan Street—First Interior Photos," http://www.ifoapplestore.com/stores/buchanan_street/photos_first/ (accessed May 16, 2014). Store believed opened Aug. 25, 2007.
ifo Apple Store, "Fifth Avenue—Grand Opening," http://www.ifoapplestore.com/stores/fifth_avenue/photo4/index.html (accessed May 16, 2014). Store believed opened May 19, 2006.
ifo Apple Store, "Shinsaibashi Apple Store Interiors," <http://www.ifoapplestore.com/stores/shinsaibashi/photo2/> (dated Aug. 26, 2004; accessed May 16, 2014). Store believed opened Aug. 28, 2004.

* cited by examiner



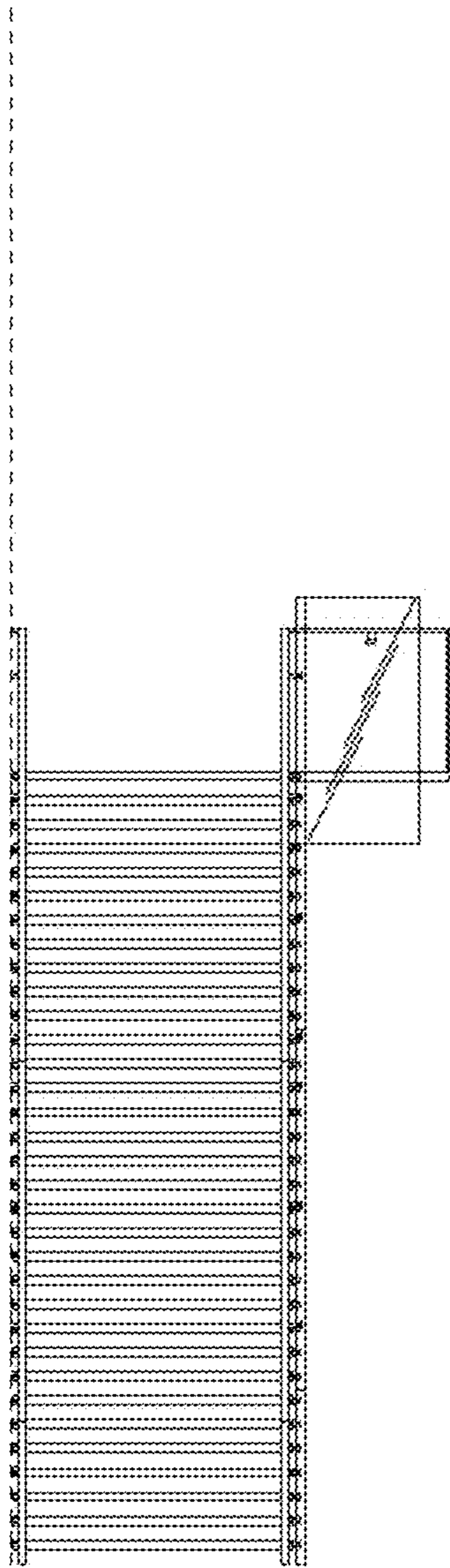


FIG. 2

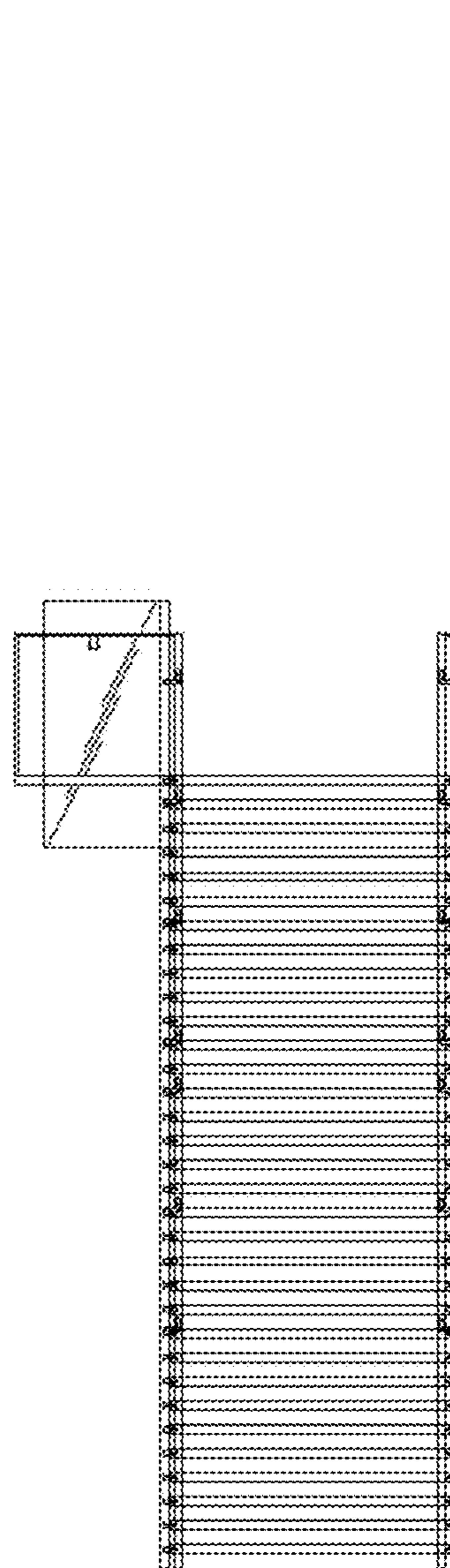


FIG. 3

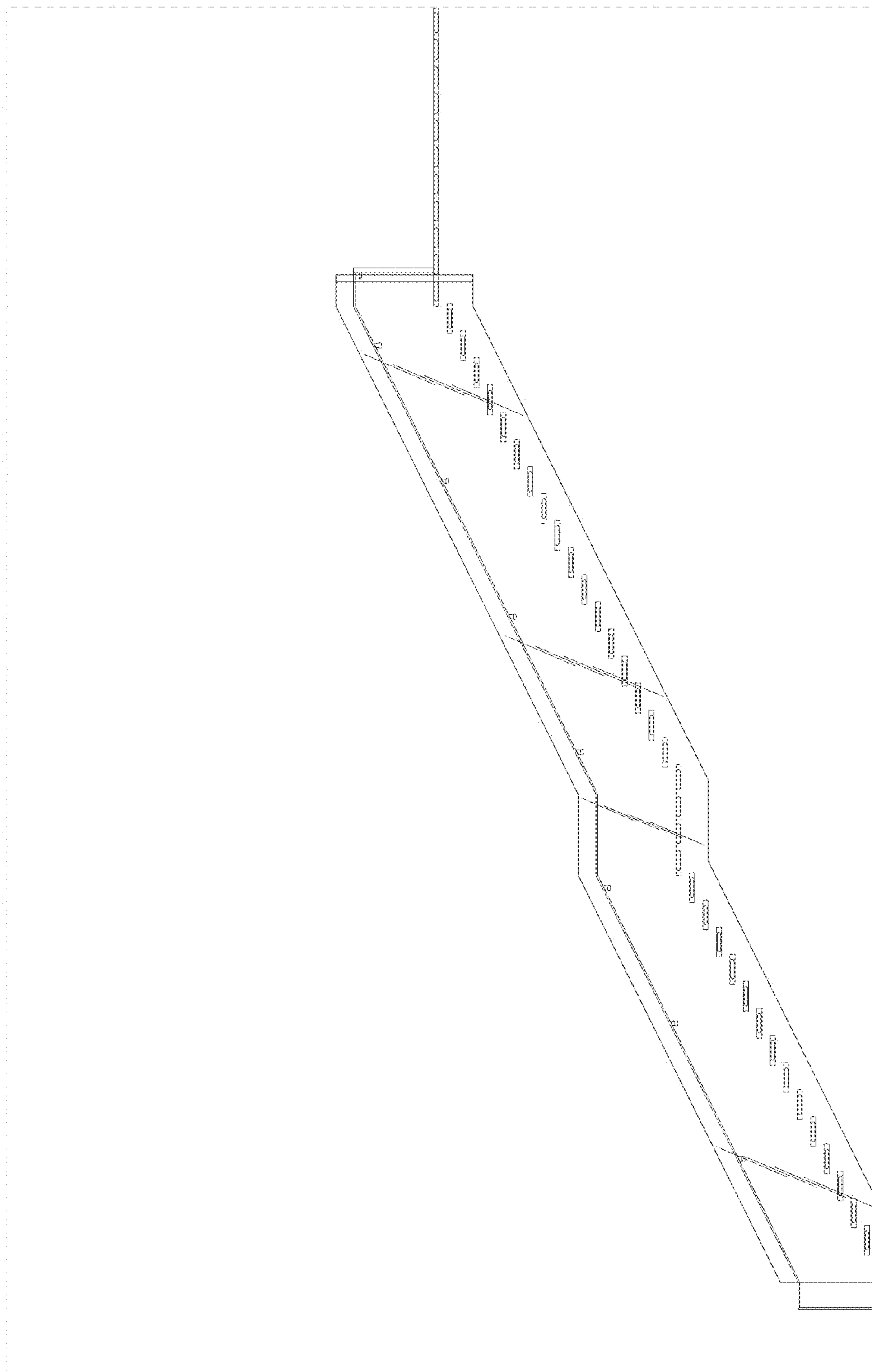


FIG. 4

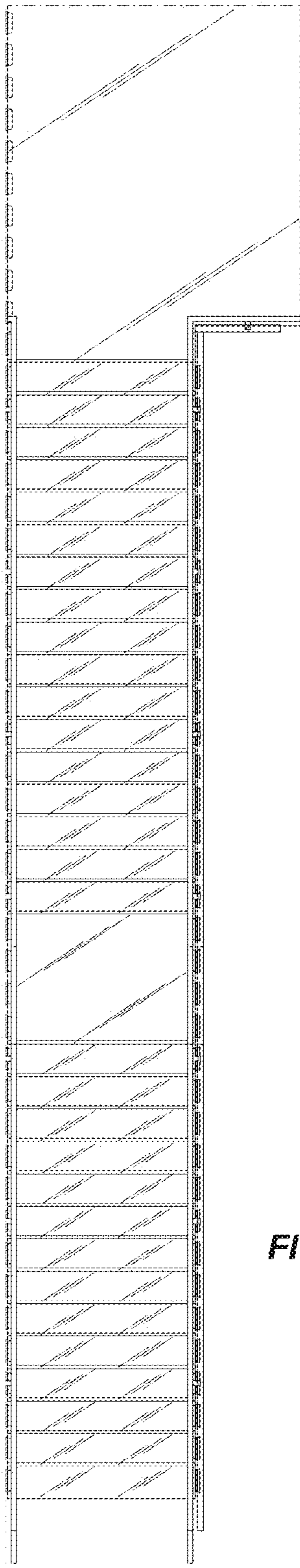


FIG. 5

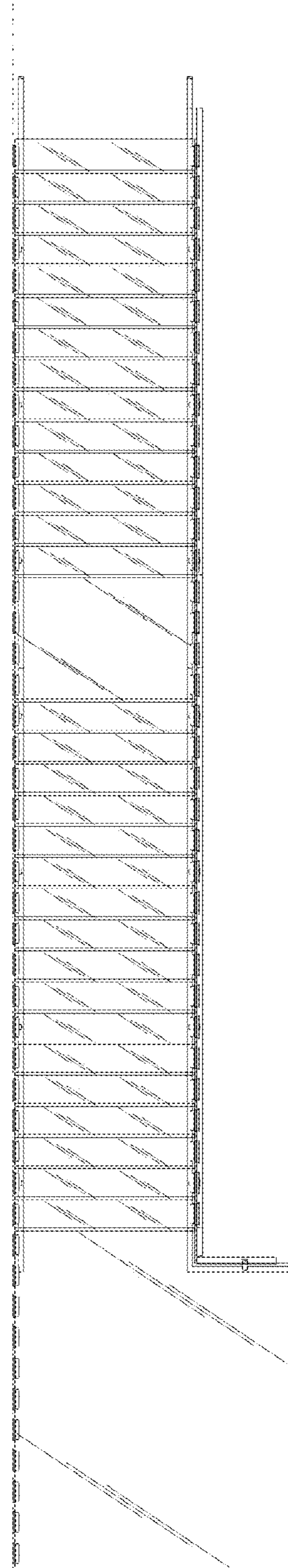


FIG. 6