



US00D746999S

(12) **United States Design Patent**
Jonsson et al.

(10) **Patent No.:** **US D746,999 S**

(45) **Date of Patent:** **** Jan. 5, 2016**

(54) **ANALYZER**

(71) Applicant: **HemoCue AB**, Angelholm (SE)

(72) Inventors: **Malin Jonsson**, Lund (SE); **Ekaterina Riabova**, Lund (SE); **Hakan Eriksson**, Hjarnarp (SE); **Johan Folkesson**, Vejbystrand (SE)

(73) Assignee: **HemoCue AB**, Angelholm (SE)

(**) Term: **14 Years**

(21) Appl. No.: **29/495,153**

(22) Filed: **Jun. 27, 2014**

(51) **LOC (10) Cl.** **24-01**

(52) **U.S. Cl.**
USPC **D24/216**

(58) **Field of Classification Search**
USPC D24/216, 231, 232, 186, 169, 107, 111;
D10/81; 422/500, 62-67; 435/287.1,
435/287.3; 436/43, 47, 46
CPC G01N 1/28; G01N 33/50; G01N 35/025
See application file for complete search history.

(56) **References Cited**

U.S. PATENT DOCUMENTS

D319,100 S *	8/1991	Umemoto et al.	D24/169
D369,216 S *	4/1996	Micinski et al.	D24/169
D381,756 S *	7/1997	Ohnuma et al.	D24/232
D523,153 S *	6/2006	Akashi et al.	D24/232
D665,917 S *	8/2012	TerMaat et al.	D24/216
D672,050 S *	12/2012	Lee et al.	D24/216
D672,467 S *	12/2012	Smith et al.	D24/216
D677,395 S *	3/2013	Smith et al.	D24/216
D682,441 S *	5/2013	Kim	D24/216
D685,496 S *	7/2013	Lee et al.	D24/216

D685,919 S *	7/2013	Lee et al.	D24/216
8,667,833 B2 *	3/2014	Saiki et al.	422/63
2011/0124128 A1 *	5/2011	Oosterbroek et al.	436/518

* cited by examiner

Primary Examiner — Anhdao Doan

(74) *Attorney, Agent, or Firm* — Oblon, McClelland, Maier & Neustadt, L.L.P.

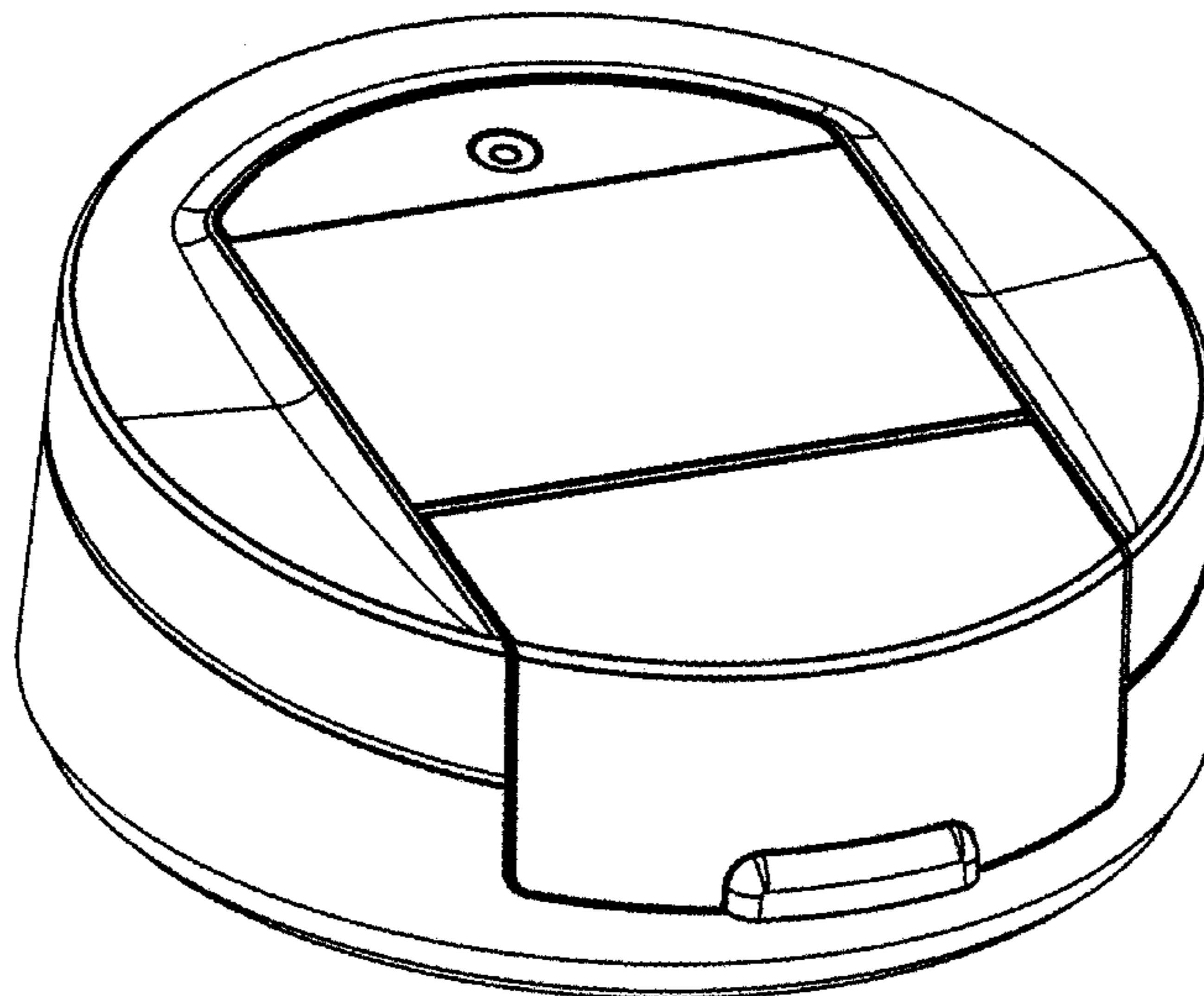
(57) **CLAIM**

The ornamental design for an analyzer, as shown and described.

DESCRIPTION

FIG. 1 is a front, left side perspective view of an analyzer.
 FIG. 2 is a bottom, left side perspective view thereof.
 FIG. 3 is a top plan view thereof.
 FIG. 4 is a bottom plan view thereof.
 FIG. 5 is a front elevational view thereof.
 FIG. 6 is a left side elevational view thereof. The right side is a mirror image of the left side.
 FIG. 7 is a rear elevational view thereof.
 FIG. 8 is a front, left side perspective view of the analyzer with a front door thereof open. Notably, a portion of a sample holder rotor is visible.
 FIG. 9 is a bottom, left side perspective view thereof.
 FIG. 10 is a top plan view thereof.
 FIG. 11 is a bottom plan view thereof.
 FIG. 12 is a front elevational view of the analyzer with the front door thereof open. Notably, a portion of the sample holder rotor is visible.
 FIG. 13 is a left side elevational view of the analyzer with the front door thereof open. The right side is a mirror image of the left side; and,
 FIG. 14 is a rear elevational view of the analyzer with the front door thereof open.

1 Claim, 14 Drawing Sheets



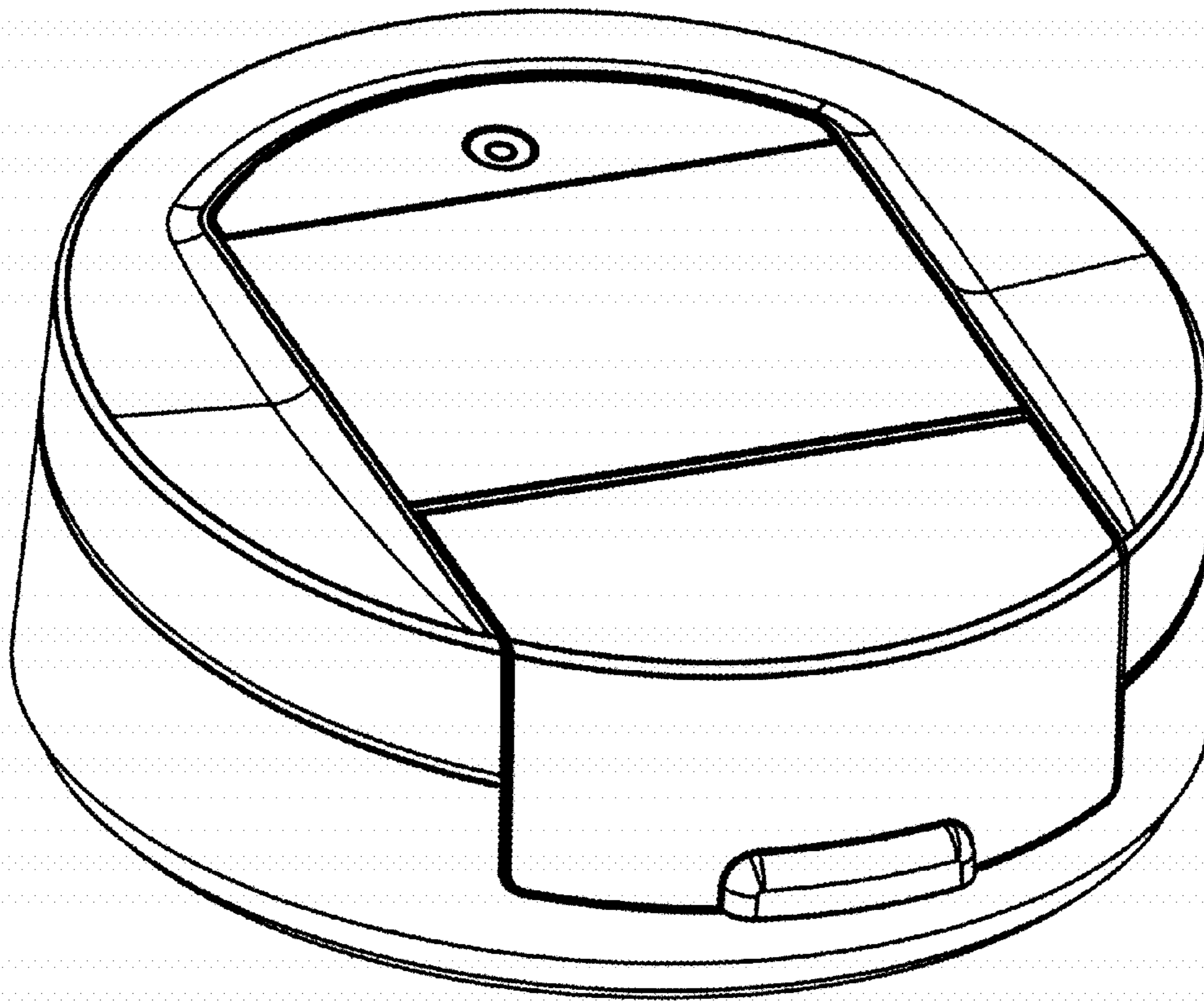


FIG. 1

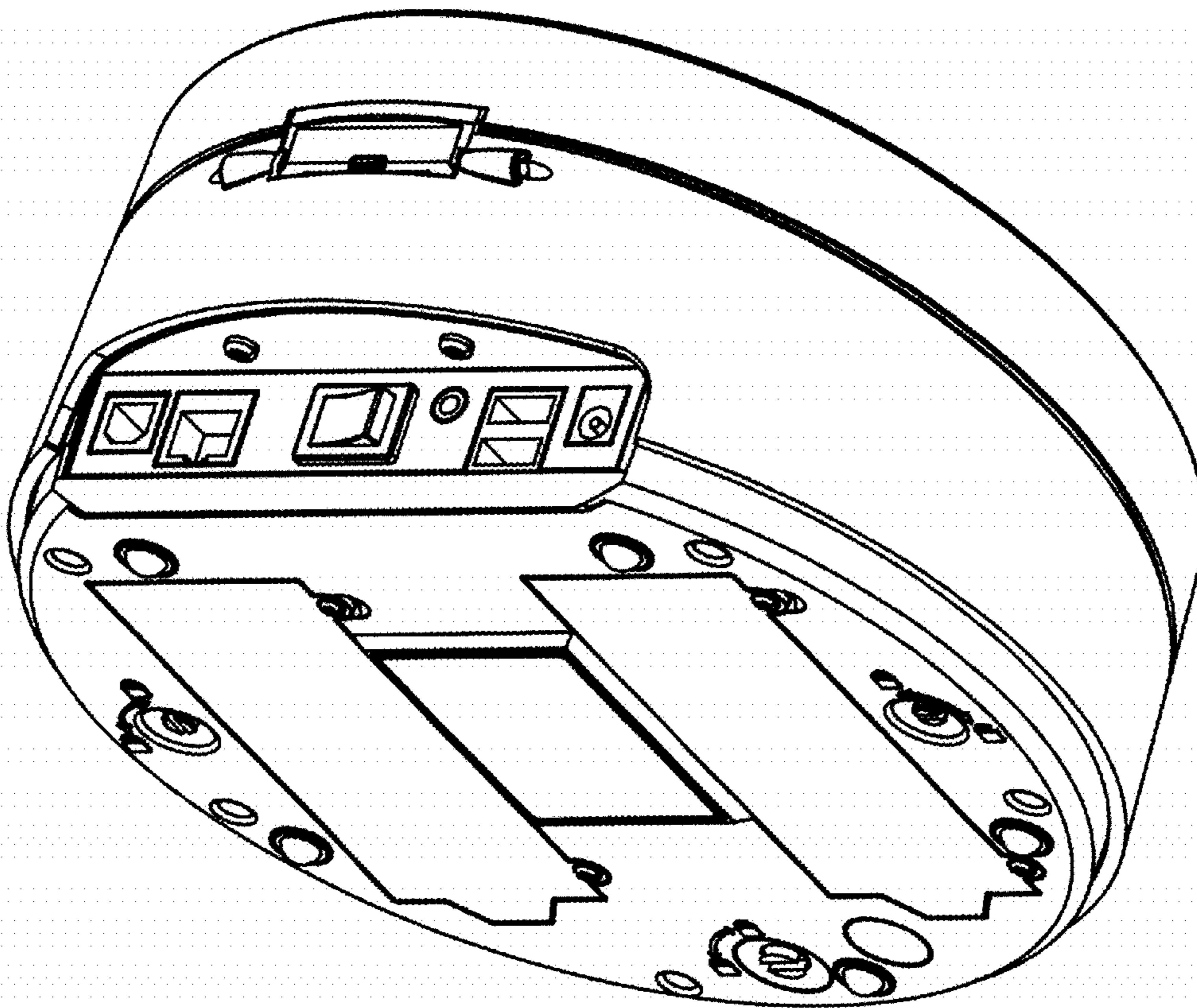


FIG. 2

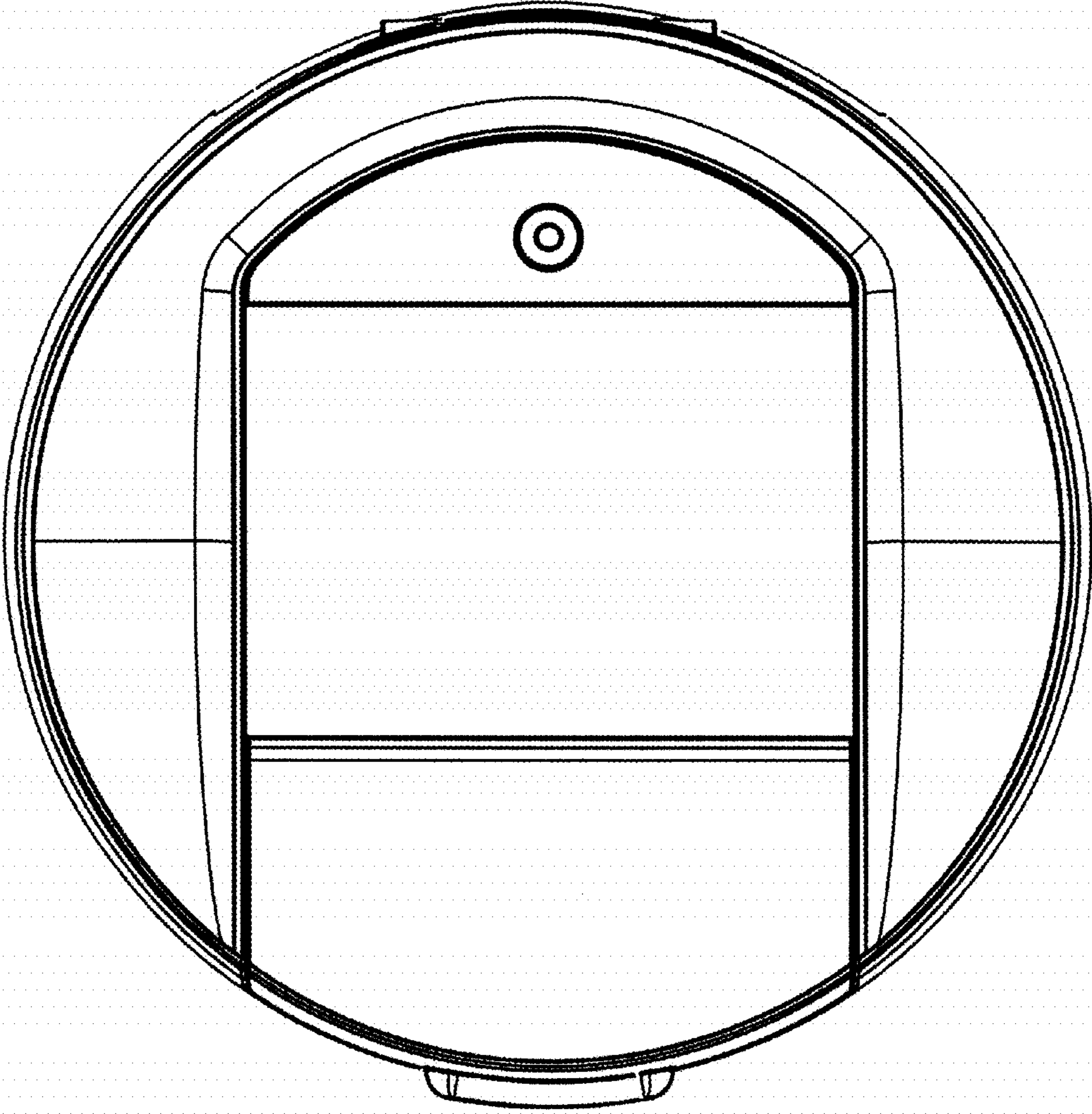


FIG. 3

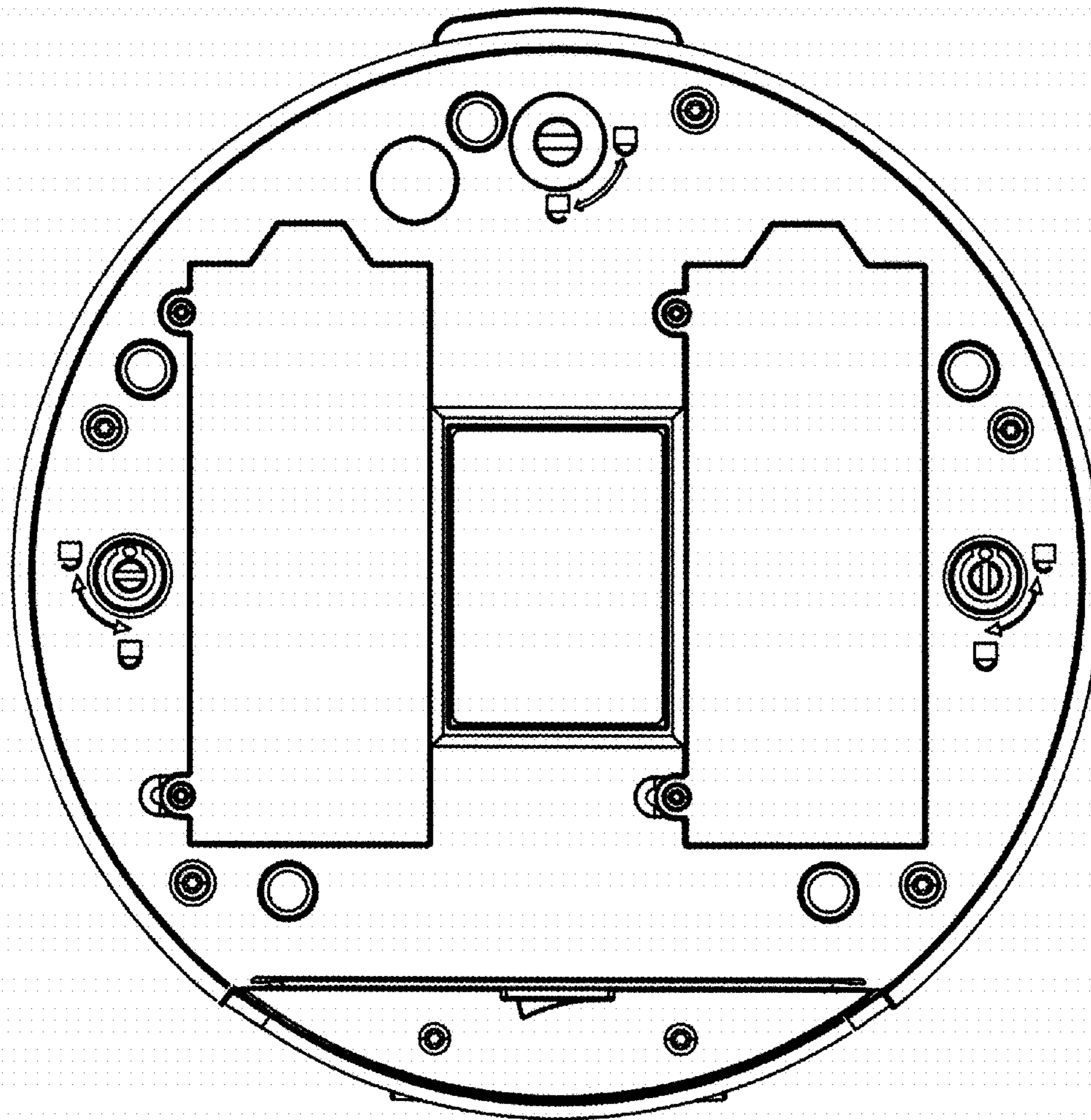


FIG. 4

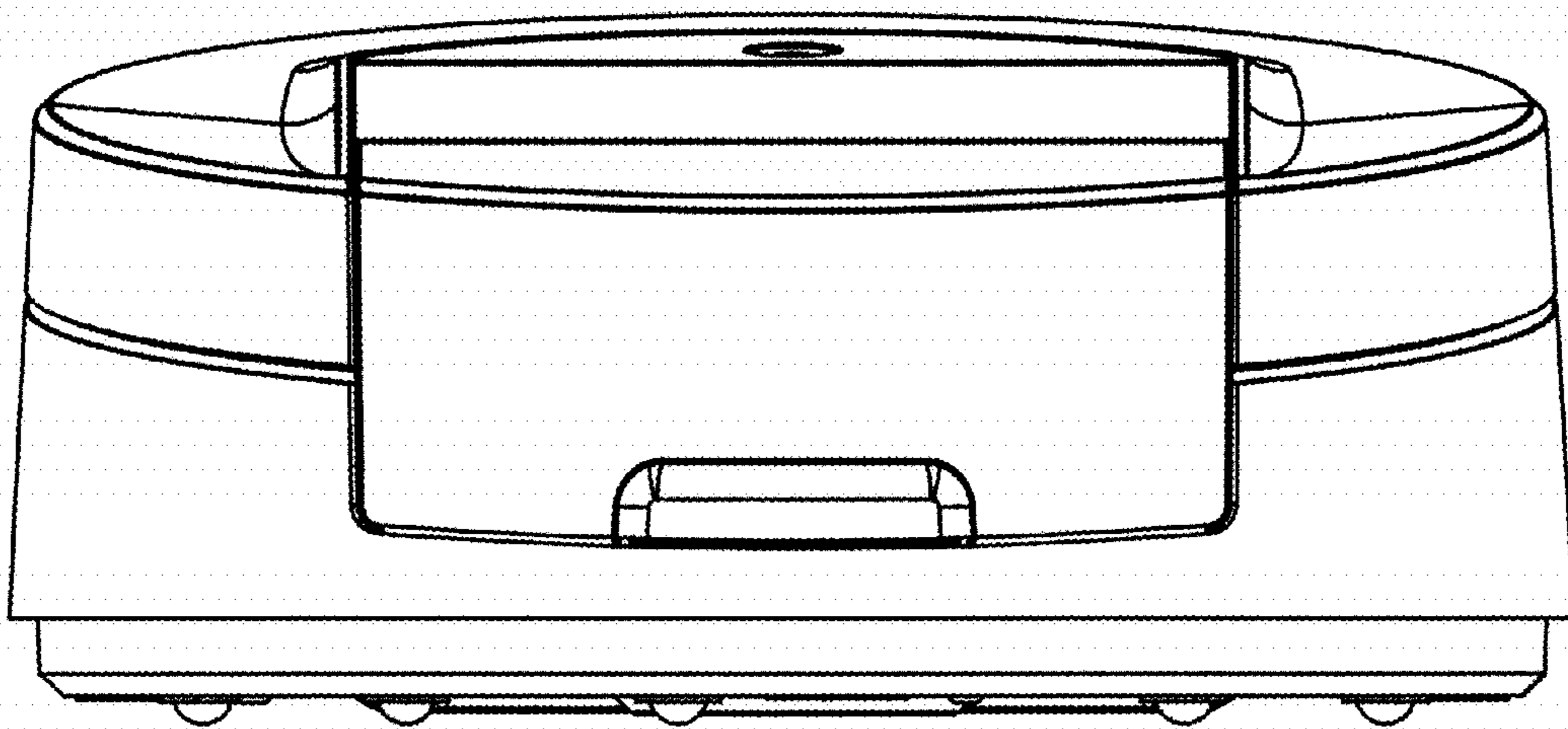


FIG. 5

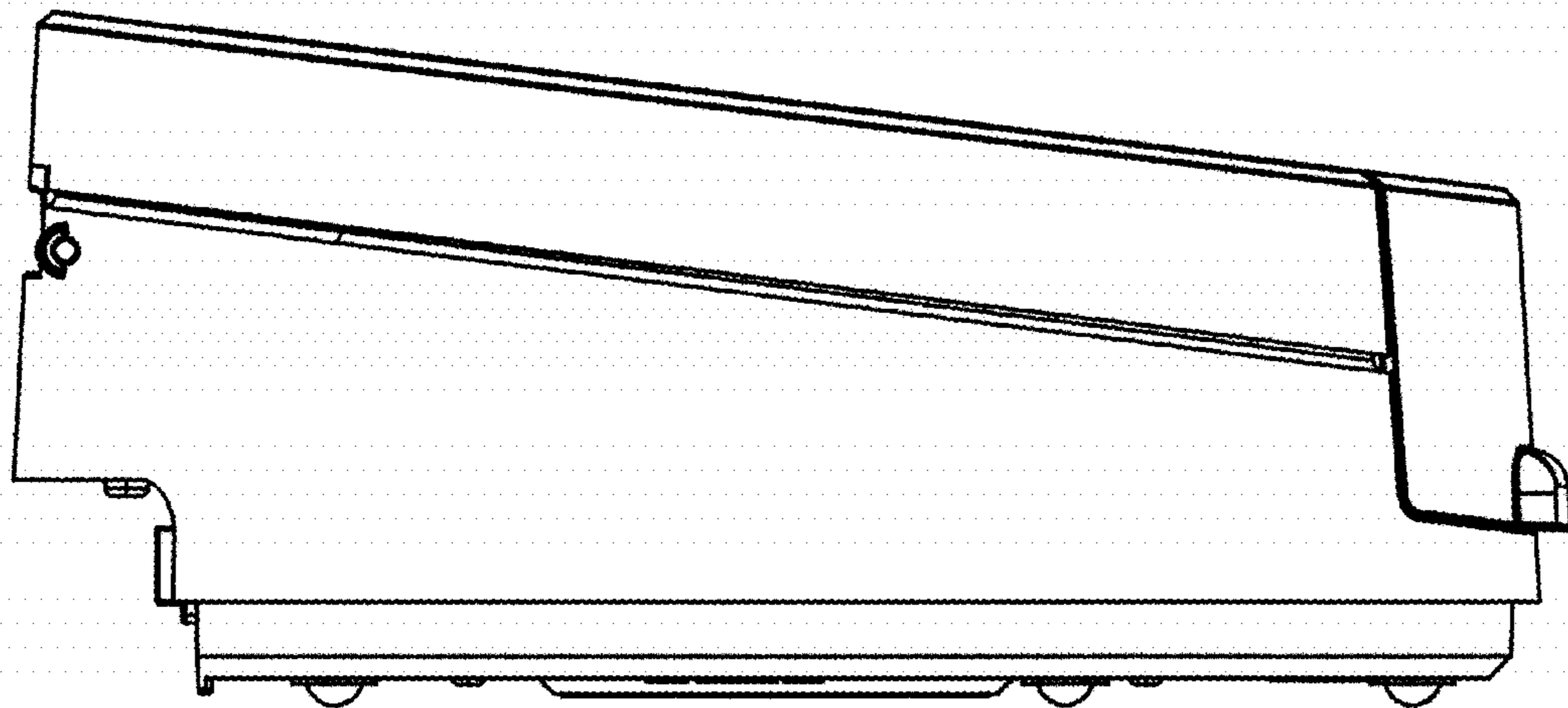


FIG. 6

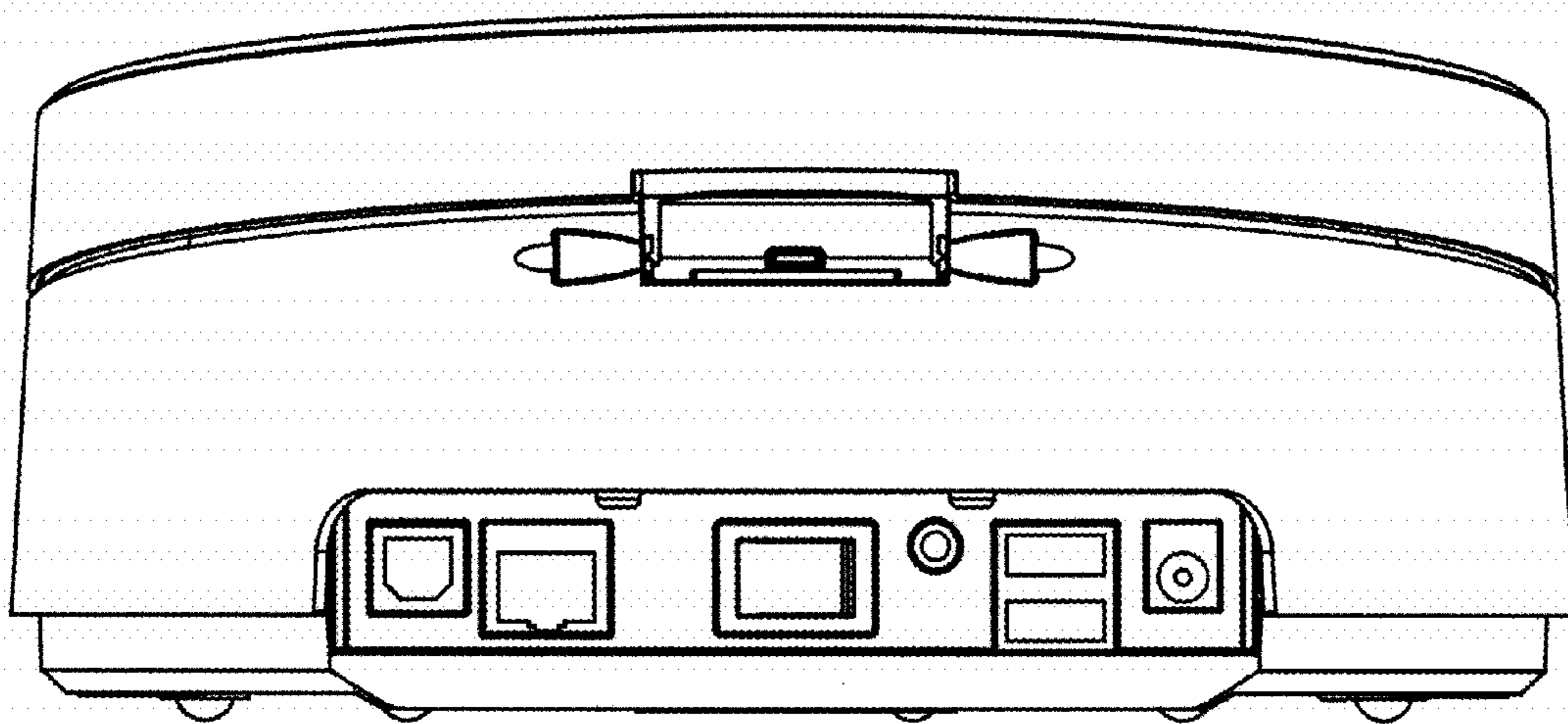


FIG. 7

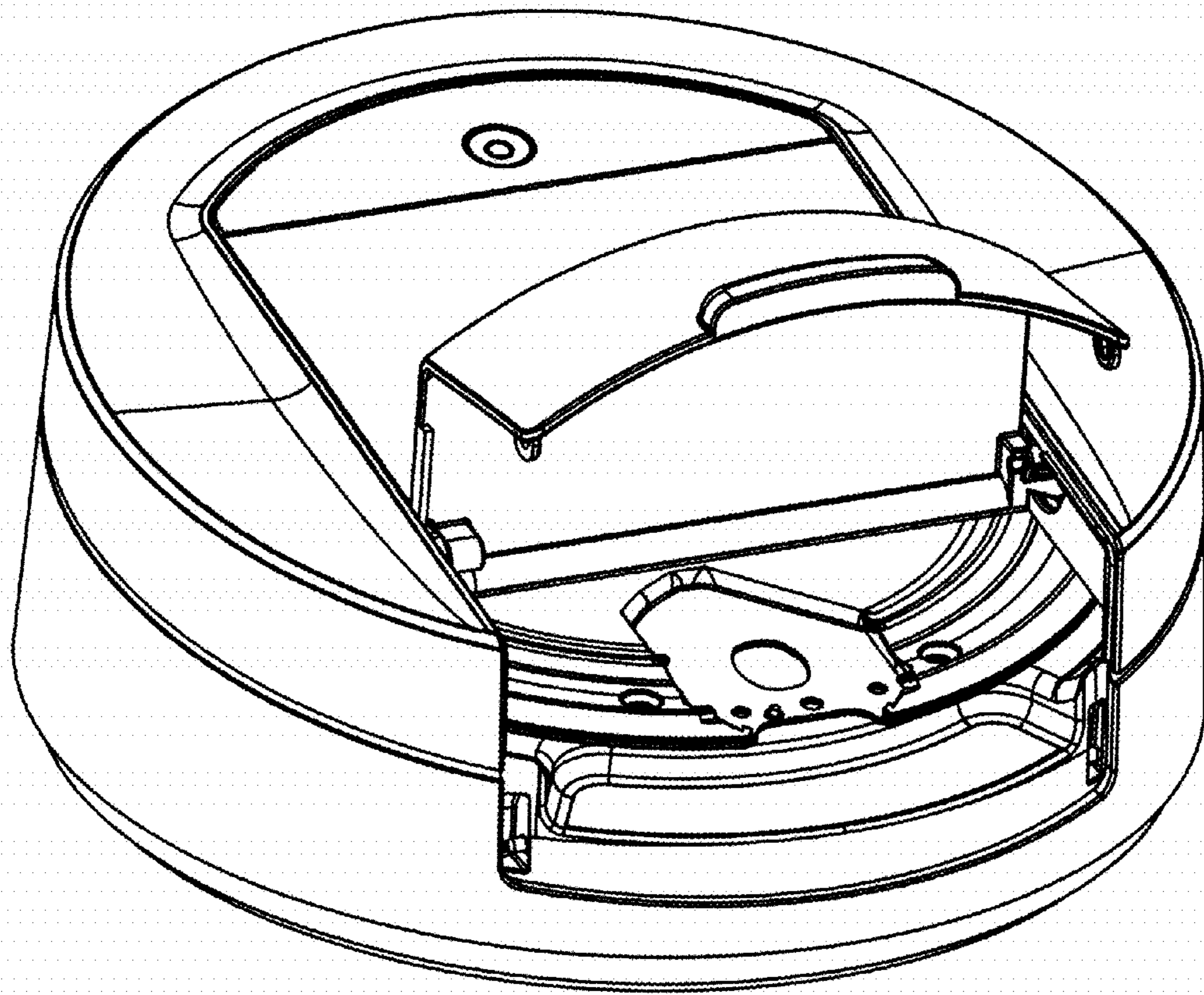


FIG. 8

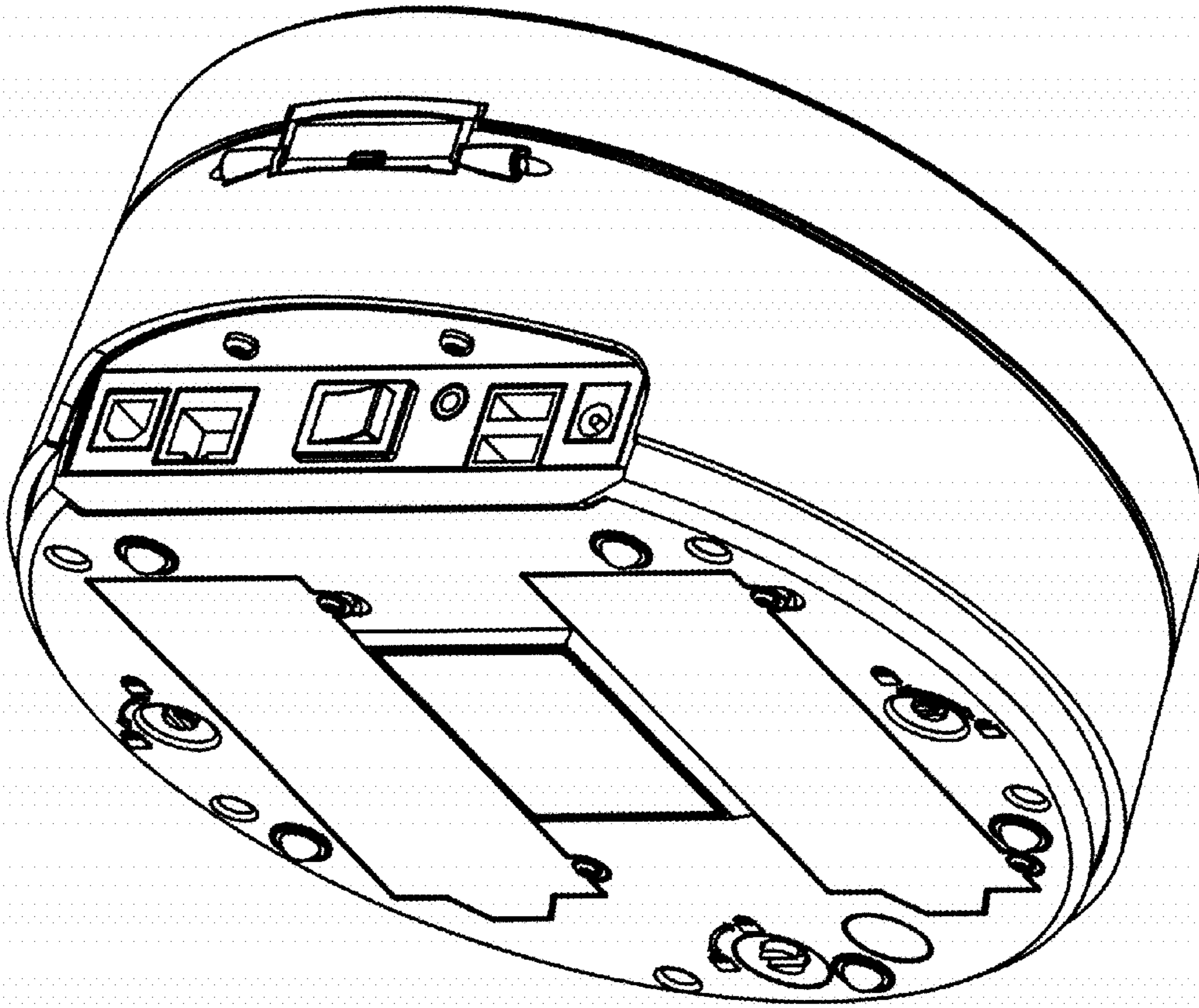


FIG. 9

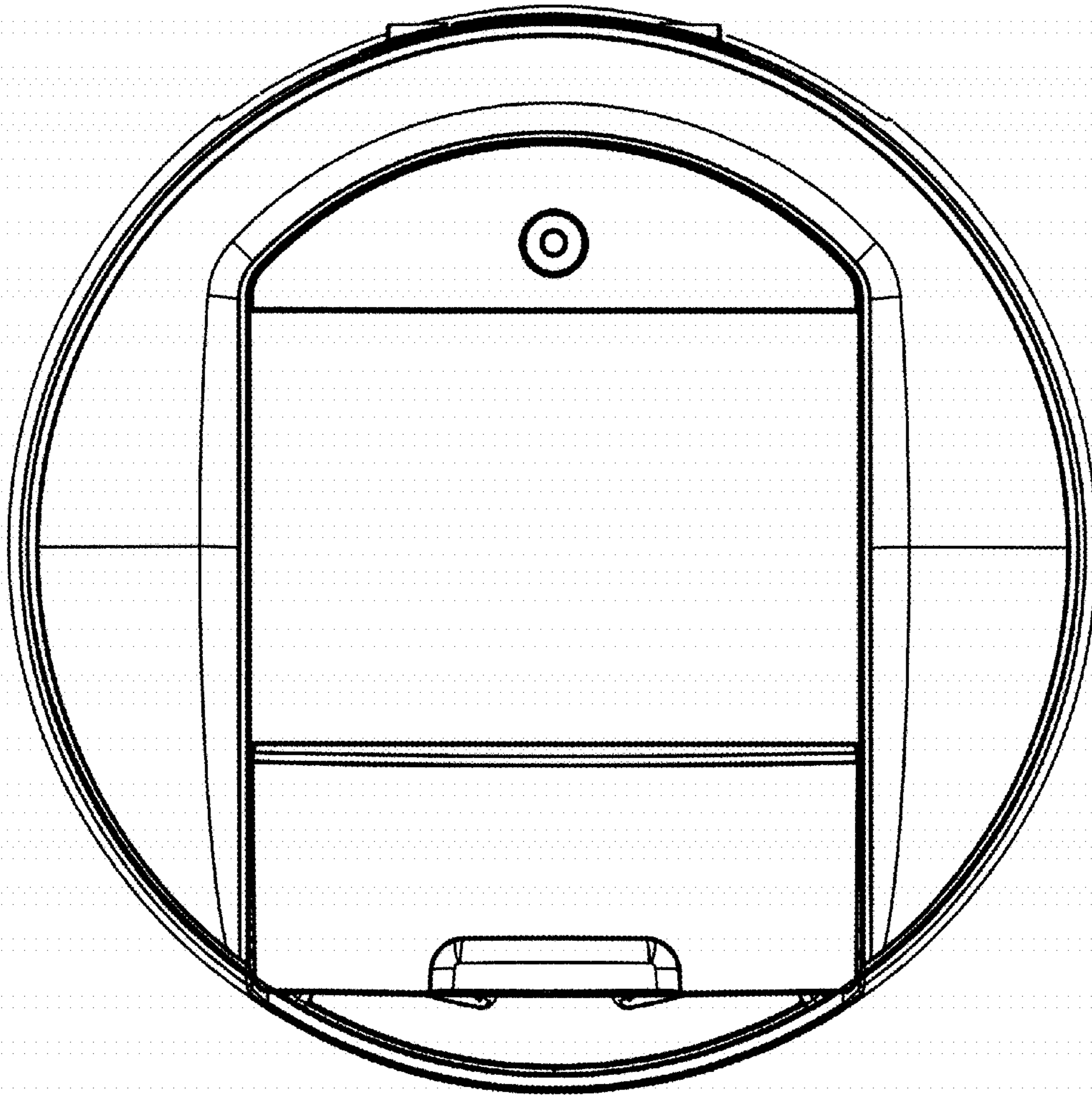


FIG. 10

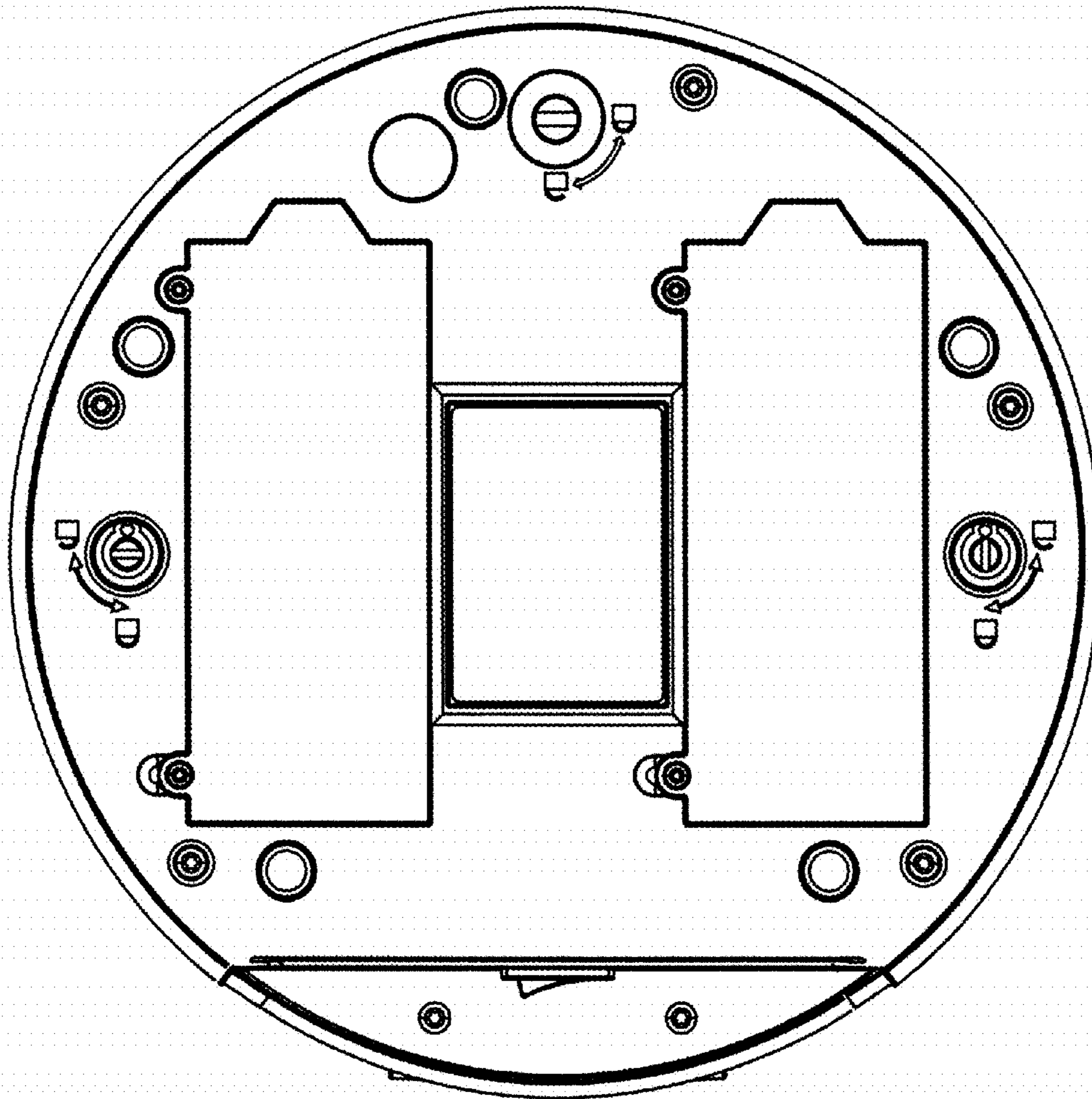


FIG. 11

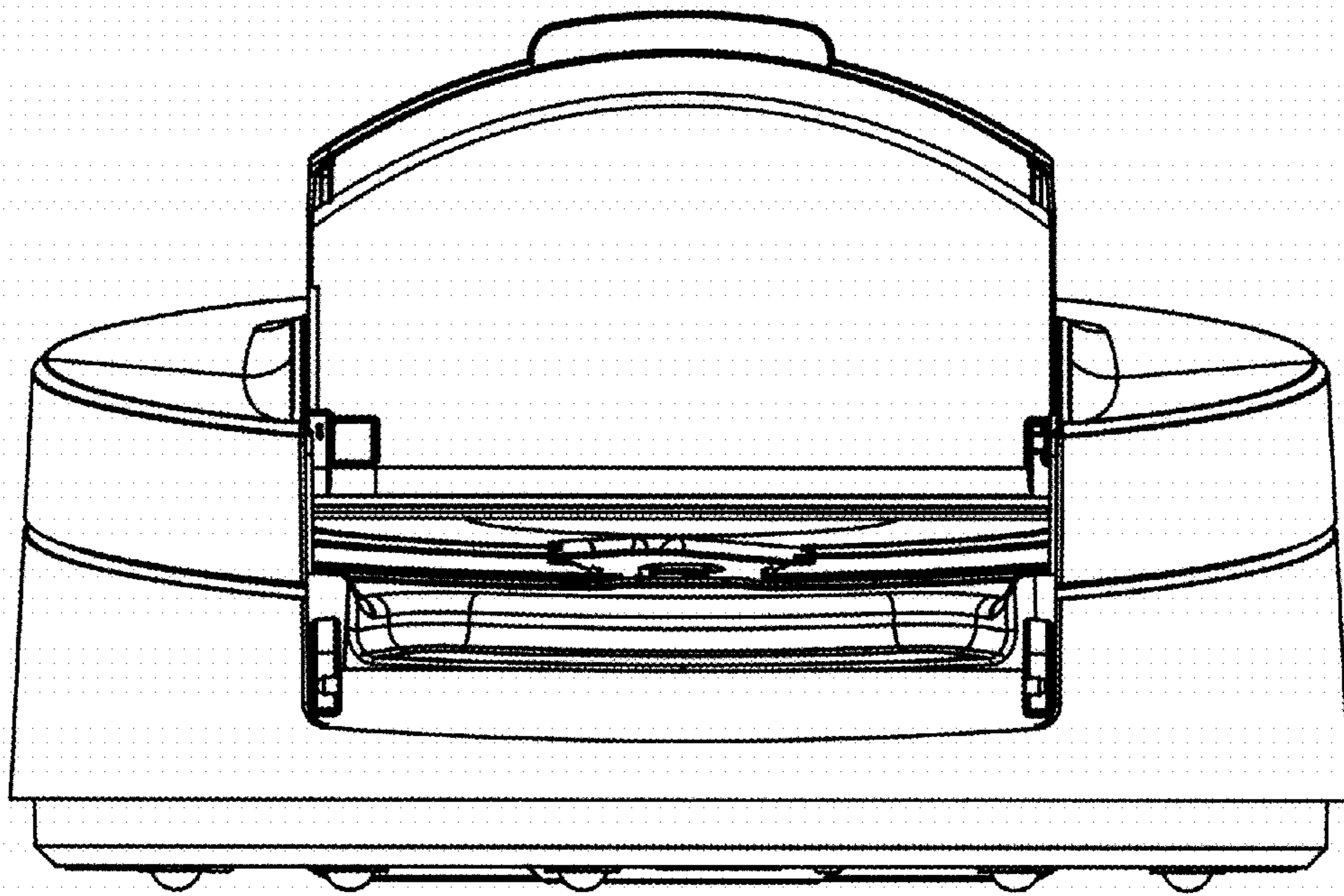


FIG. 12

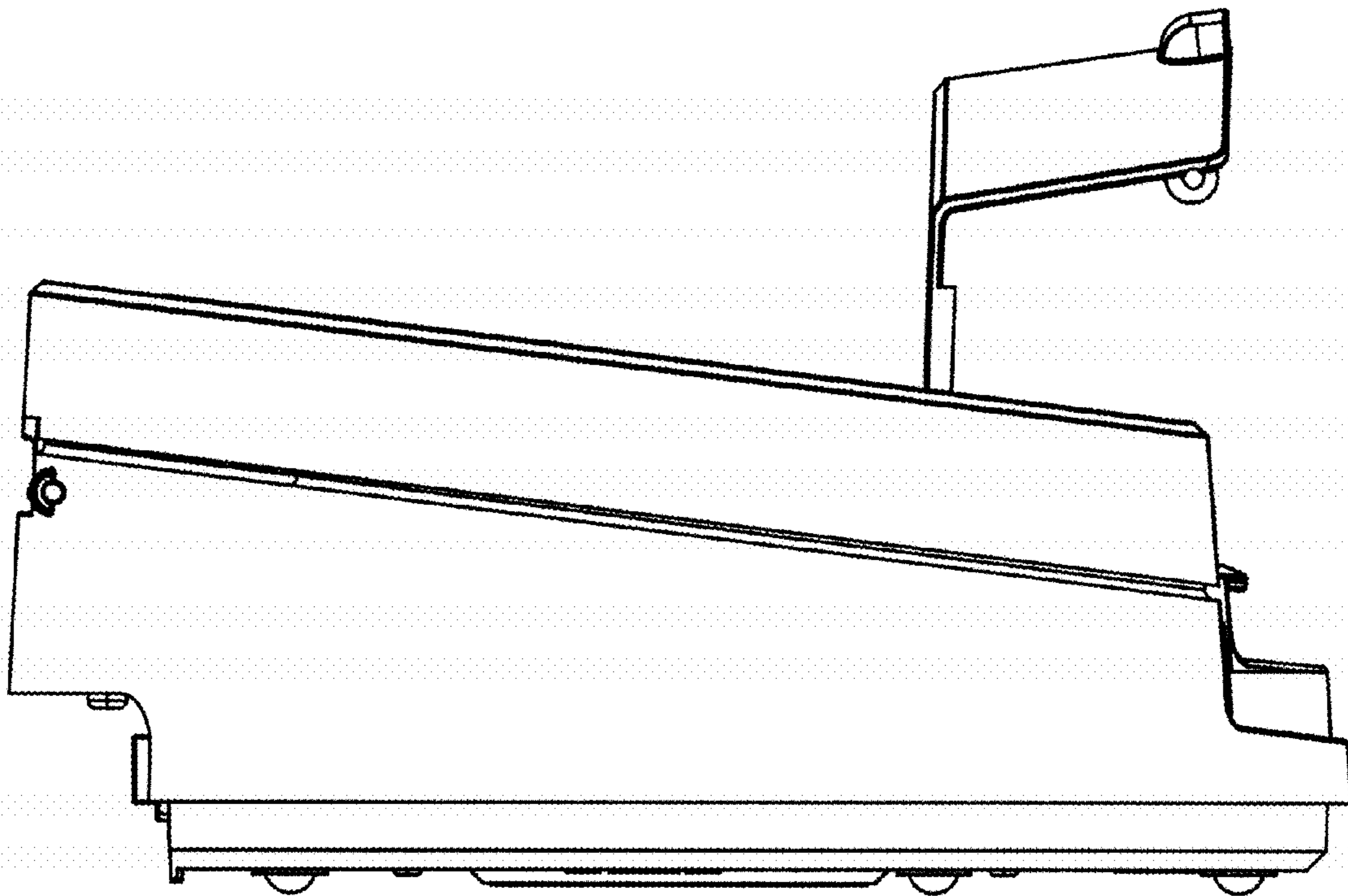


FIG. 13

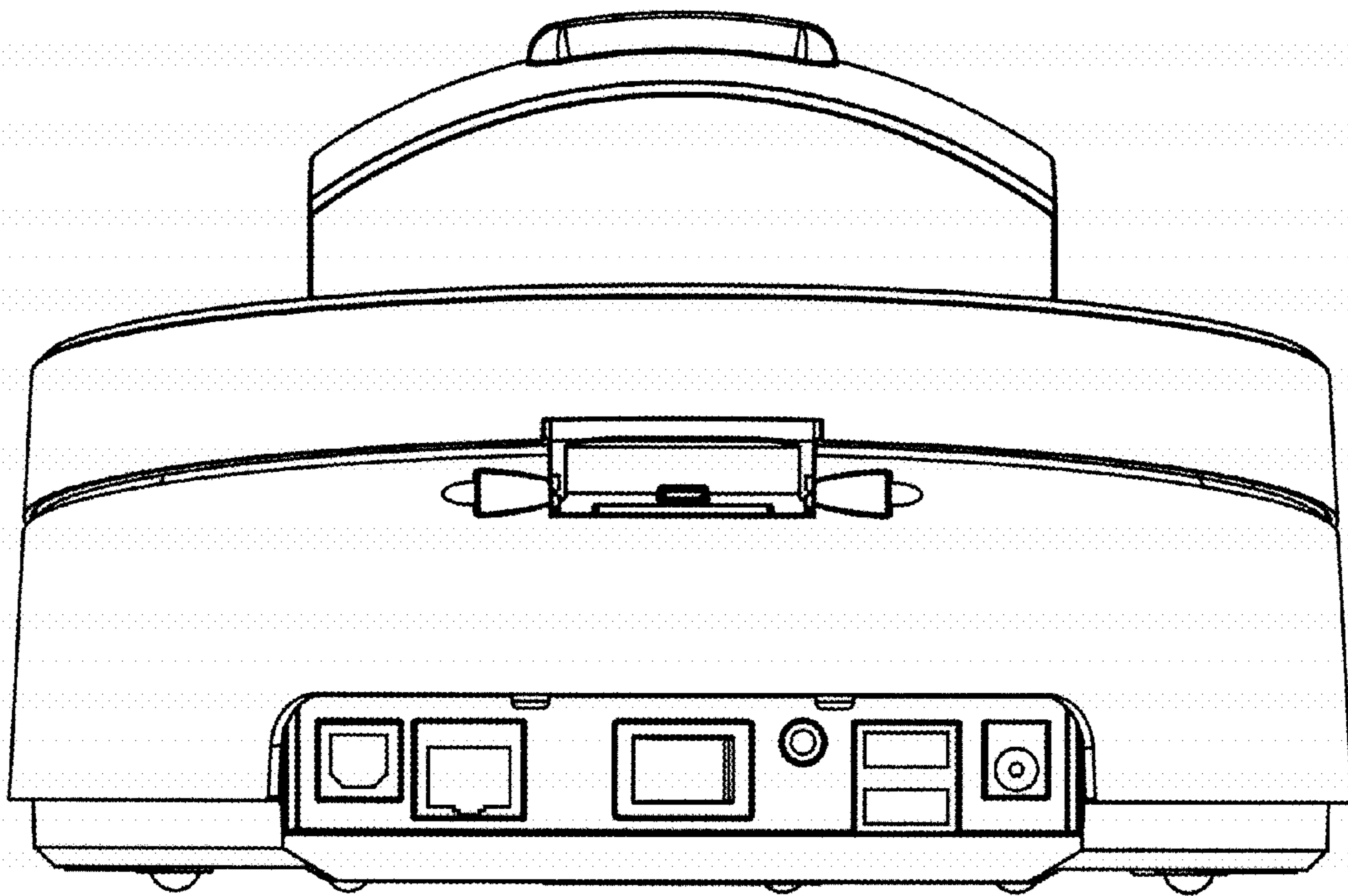


FIG. 14