



US00D746994S

(12) **United States Design Patent**  
**Lewis, Jr. et al.**

(10) **Patent No.:** **US D746,994 S**  
(45) **Date of Patent:** **\*\* Jan. 5, 2016**

(54) **ULTRASOUND APPLICATOR COUPLING  
BANDAGE ASSEMBLY**

(71) Applicant: **ZetrOZ, Inc.**, Trumbull, CT (US)

(72) Inventors: **George K. Lewis, Jr.**, Trumbull, CT  
(US); **Shane Fleshman**, Milford, CT  
(US)

(73) Assignee: **ZetrOZ, Inc.**, Trumbull, CT (US)

(\*\*) Term: **14 Years**

(21) Appl. No.: **29/482,283**

(22) Filed: **Feb. 17, 2014**

(51) **LOC (10) Cl.** ..... **24-02**

(52) **U.S. Cl.**  
USPC ..... **D24/187**

(58) **Field of Classification Search**  
USPC ..... D24/158, 185–187, 200, 129, 138, 160,  
D24/188–190, 167; D10/60; 600/407, 446,  
600/459–462, 437, 439, 372, 453, 588;  
378/98.7, 98.8, 189; 601/2; 602/41–47,  
602/52–59

See application file for complete search history.

(56) **References Cited**

**U.S. PATENT DOCUMENTS**

4,556,066	A *	12/1985	Semrow	600/372
4,688,578	A *	8/1987	Takano et al.	600/459
4,796,632	A *	1/1989	Boyd et al.	600/459
4,920,966	A *	5/1990	Hon et al.	600/588
5,058,592	A *	10/1991	Whisler	600/453
D328,495	S *	8/1992	Ungari	D24/187
5,354,261	A *	10/1994	Clark et al.	602/58
5,390,675	A *	2/1995	Sheehan et al.	600/453
D390,960	S *	2/1998	Ross	D24/189
D404,134	S *	1/1999	Dunshee	D24/189
D433,142	S *	10/2000	Nash et al.	D24/189
D482,452	S *	11/2003	Davey et al.	D24/186
D547,871	S *	7/2007	Watson et al.	D24/186
D562,985	S *	2/2008	Brefka et al.	D24/186
D599,909	S *	9/2009	Rinott et al.	D24/186

D603,050	S *	10/2009	Chen	D24/187
D608,451	S *	1/2010	Hanoun	D24/186
D609,814	S *	2/2010	Banryu	D24/187
D630,756	S *	1/2011	Kitayama	D24/187
D639,434	S *	6/2011	Wodecki et al.	D24/160
D639,437	S *	6/2011	Bishay et al.	D24/167
D663,432	S *	7/2012	Nichols	D24/190
D674,099	S *	1/2013	Nichols	D24/190
D693,927	S *	11/2013	Wilson et al.	D24/167
D709,203	S *	7/2014	Shikata	D24/187
D712,043	S *	8/2014	Sliger	D24/186
D713,537	S *	9/2014	Ben-Haim et al.	D24/200
D717,955	S *	11/2014	Bishay et al.	D24/167
2003/0060735	A1 *	3/2003	Coffey et al.	601/2
2008/0306388	A1 *	12/2008	Tanis et al.	600/459

\* cited by examiner

*Primary Examiner* — T. Chase Nelson

*Assistant Examiner* — Mark Cavanna

(74) *Attorney, Agent, or Firm* — Heslin Rothenberg Farley  
& Mesiti P.C.; Andrew K. Gonsalves, Esq.

(57) **CLAIM**

The ornamental design for an ultrasound applicator coupling bandage assembly, as shown and described.

**DESCRIPTION**

FIG. 1 is a front perspective view of an ultrasound applicator coupling bandage assembly of the present design, as viewed facing the bottom end thereof;

FIG. 2 is another front perspective view thereof, which view also shows the bottom end and right side thereof;

FIG. 3 is a rear perspective view thereof;

FIG. 4 is a front plan view thereof, oriented so that the top end faces north, the bottom end faces south, the right side faces east, and the left side faces west, where north, south, east, and west correspond to the four cardinal directions of a compass in standard plan view;

FIG. 5 is a bottom end view thereof;

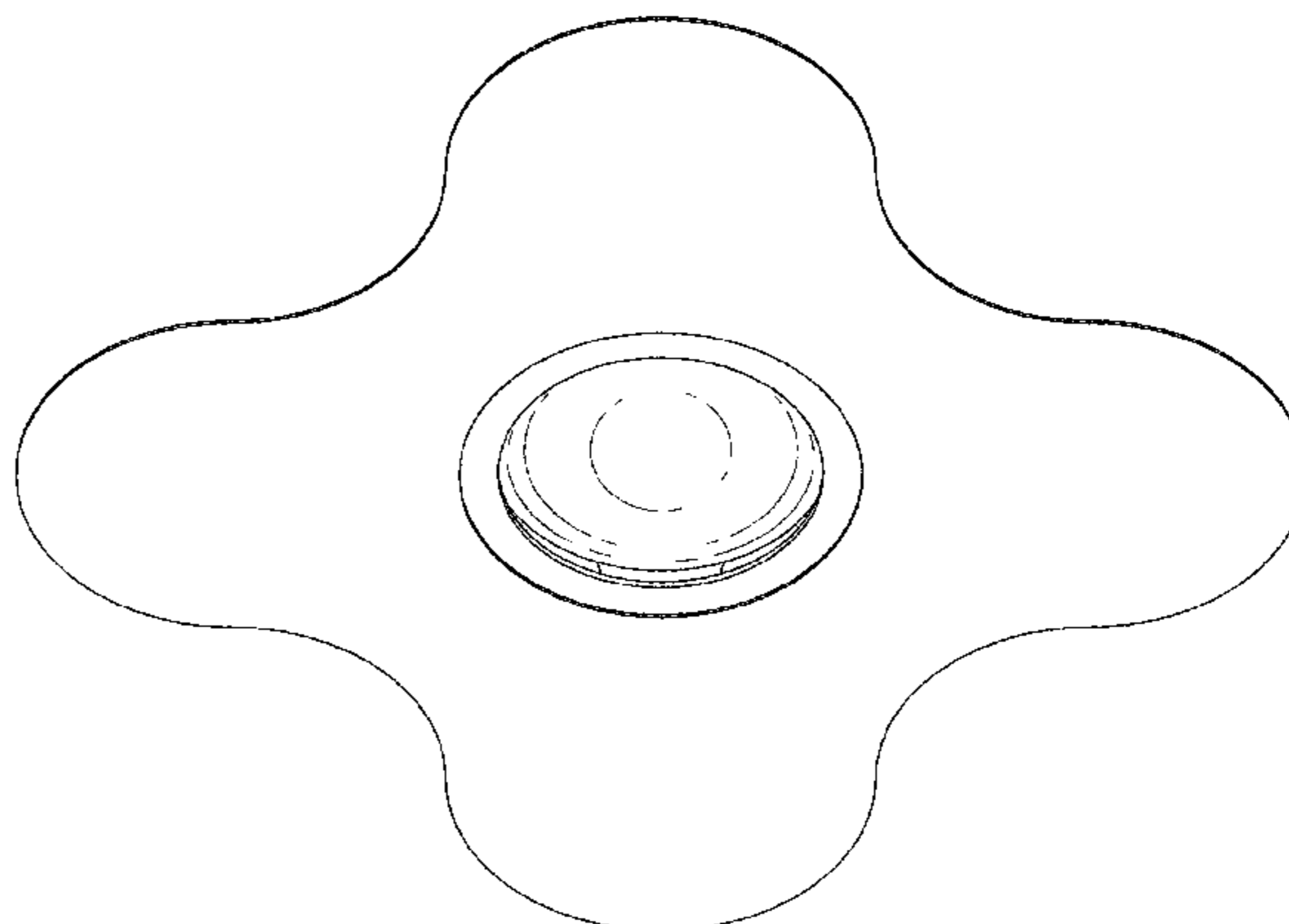
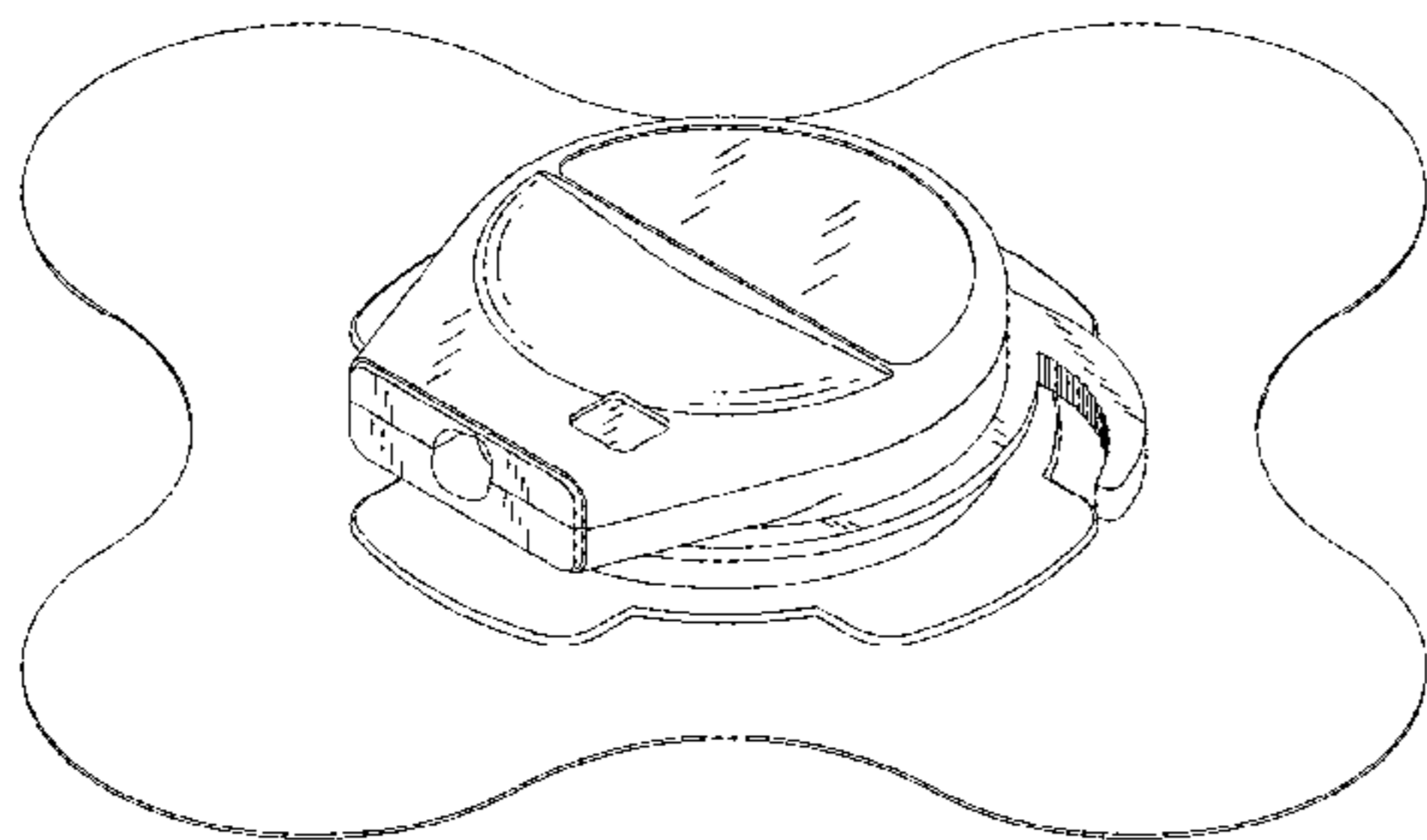
FIG. 6 is a right side elevation view thereof;

FIG. 7 is a top end view thereof;

FIG. 8 is a left side elevation view thereof; and,

FIG. 9 is a rear plan view thereof.

**1 Claim, 9 Drawing Sheets**



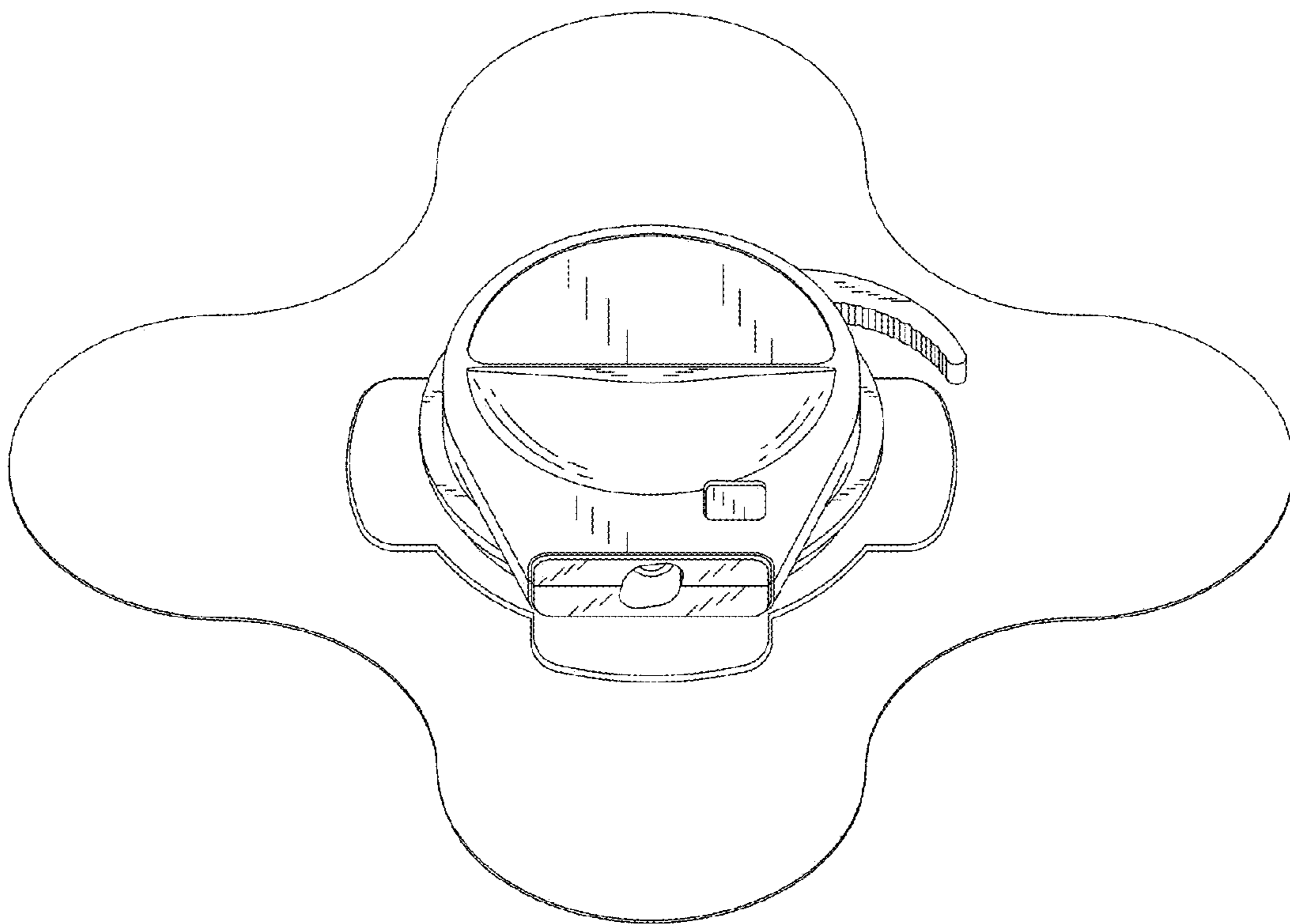


FIG. 1

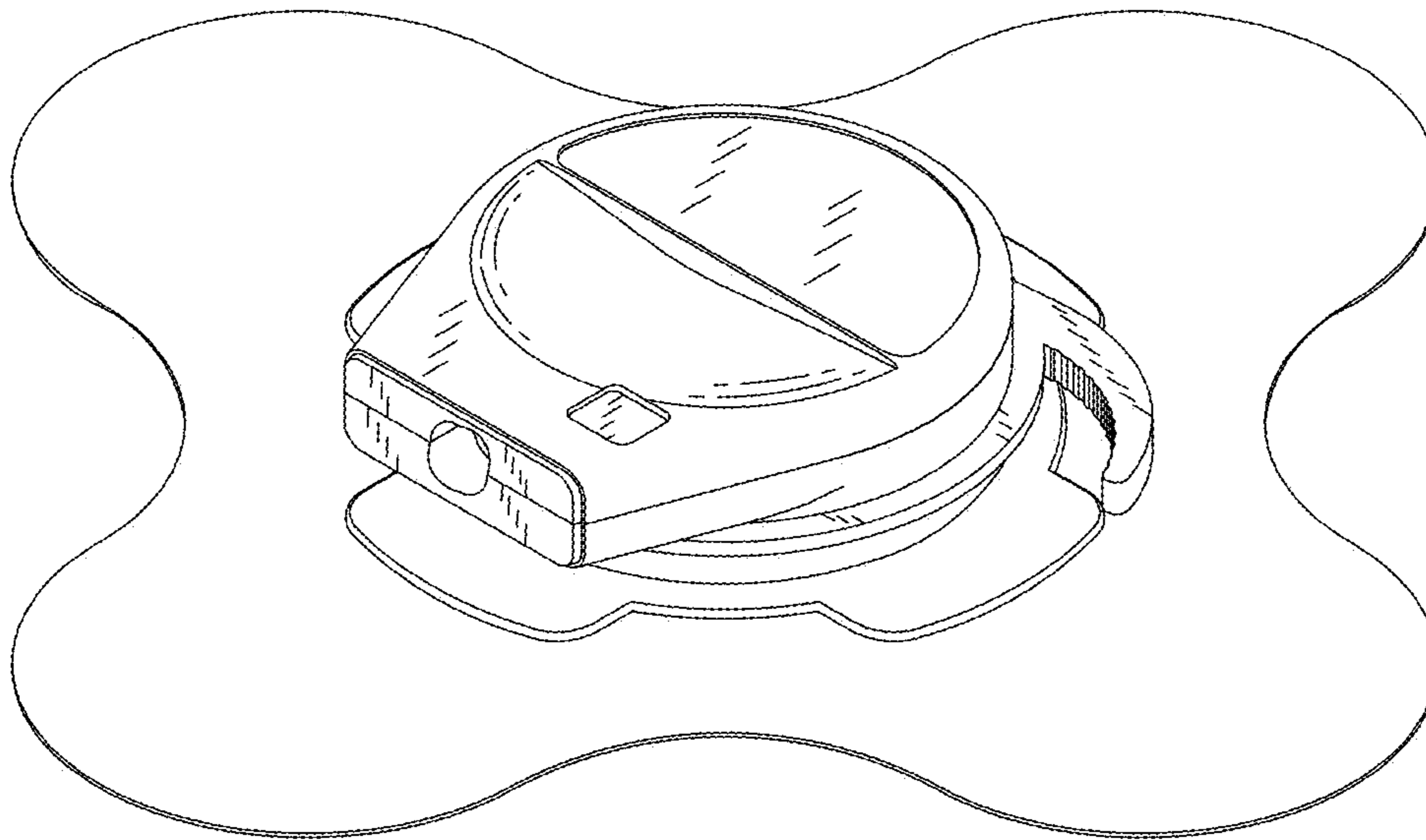


FIG. 2

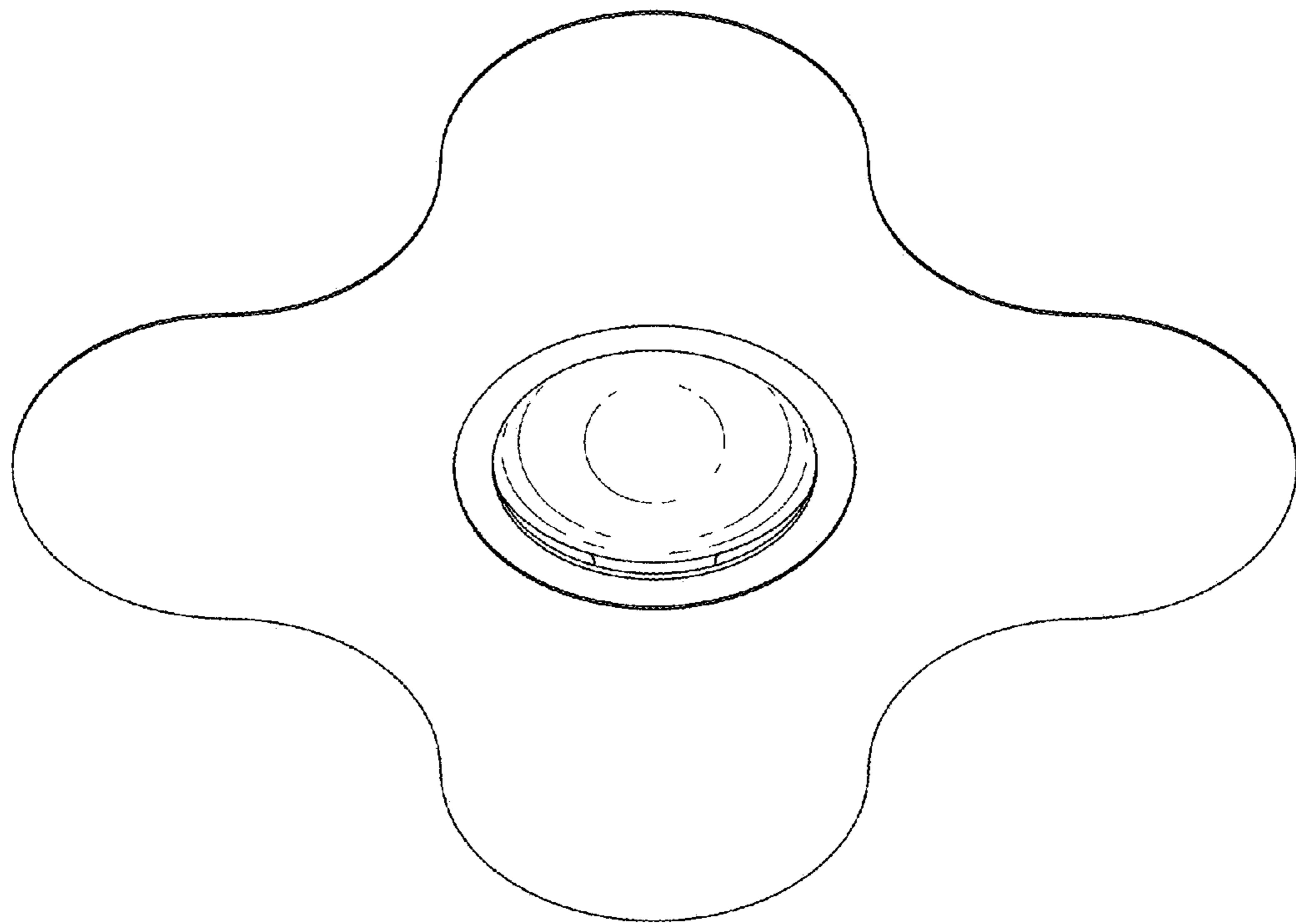


FIG. 3

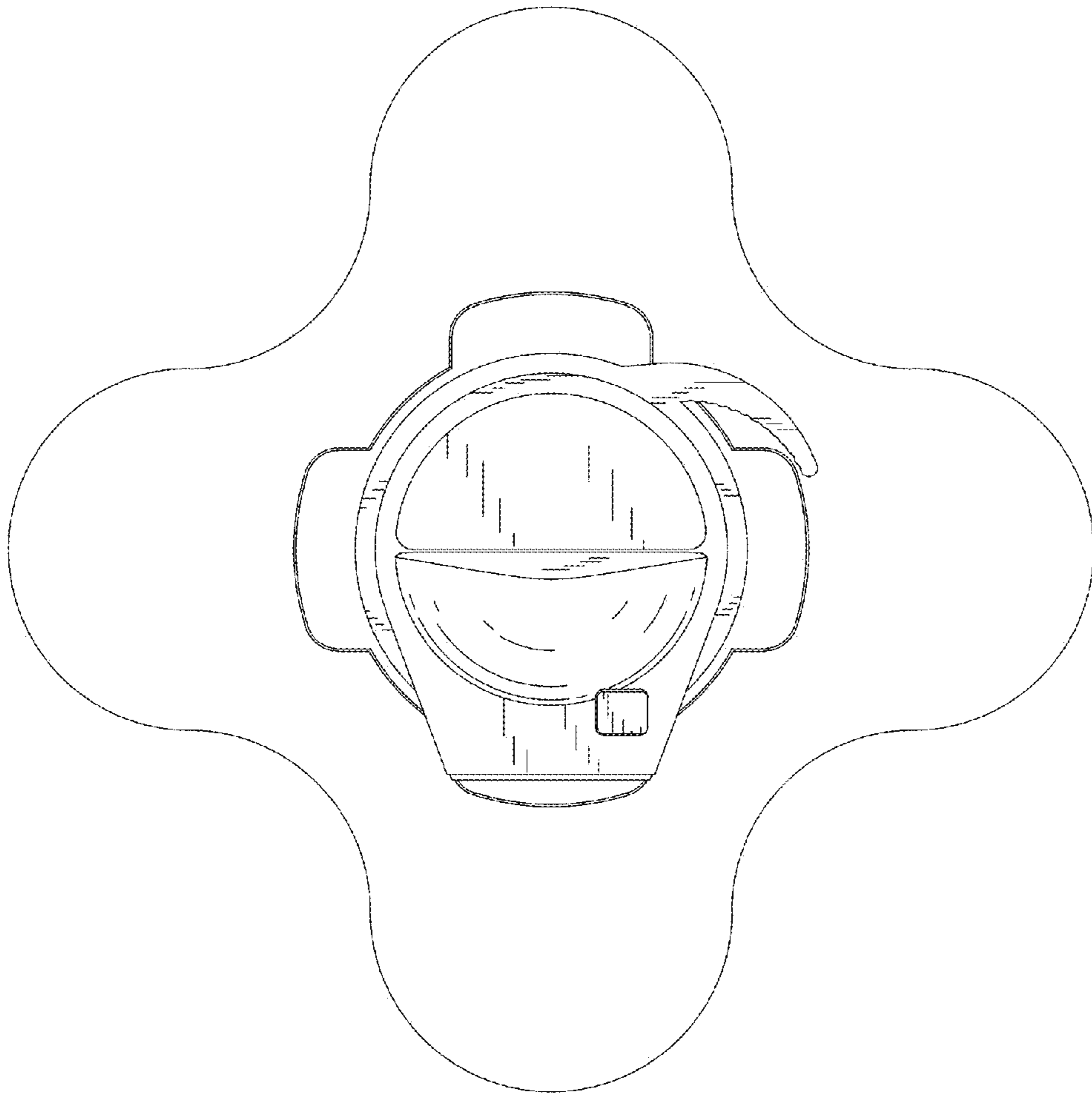


FIG. 4

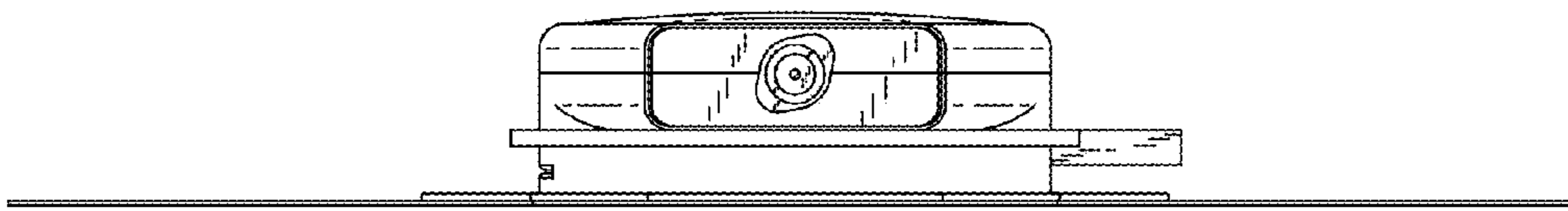


FIG. 5

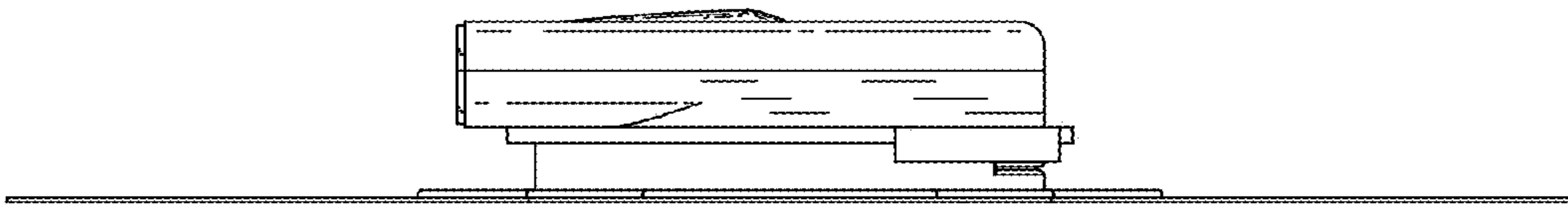


FIG. 6

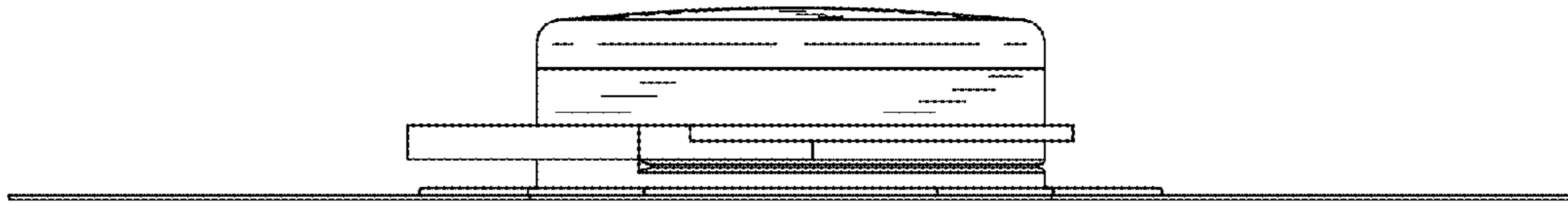


FIG. 7



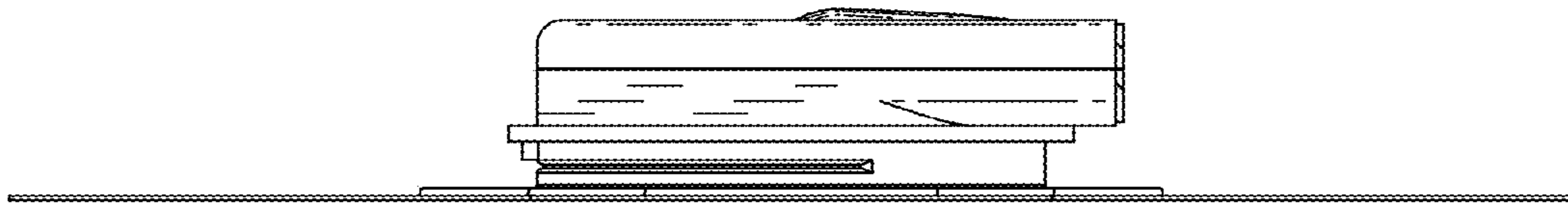


FIG. 8

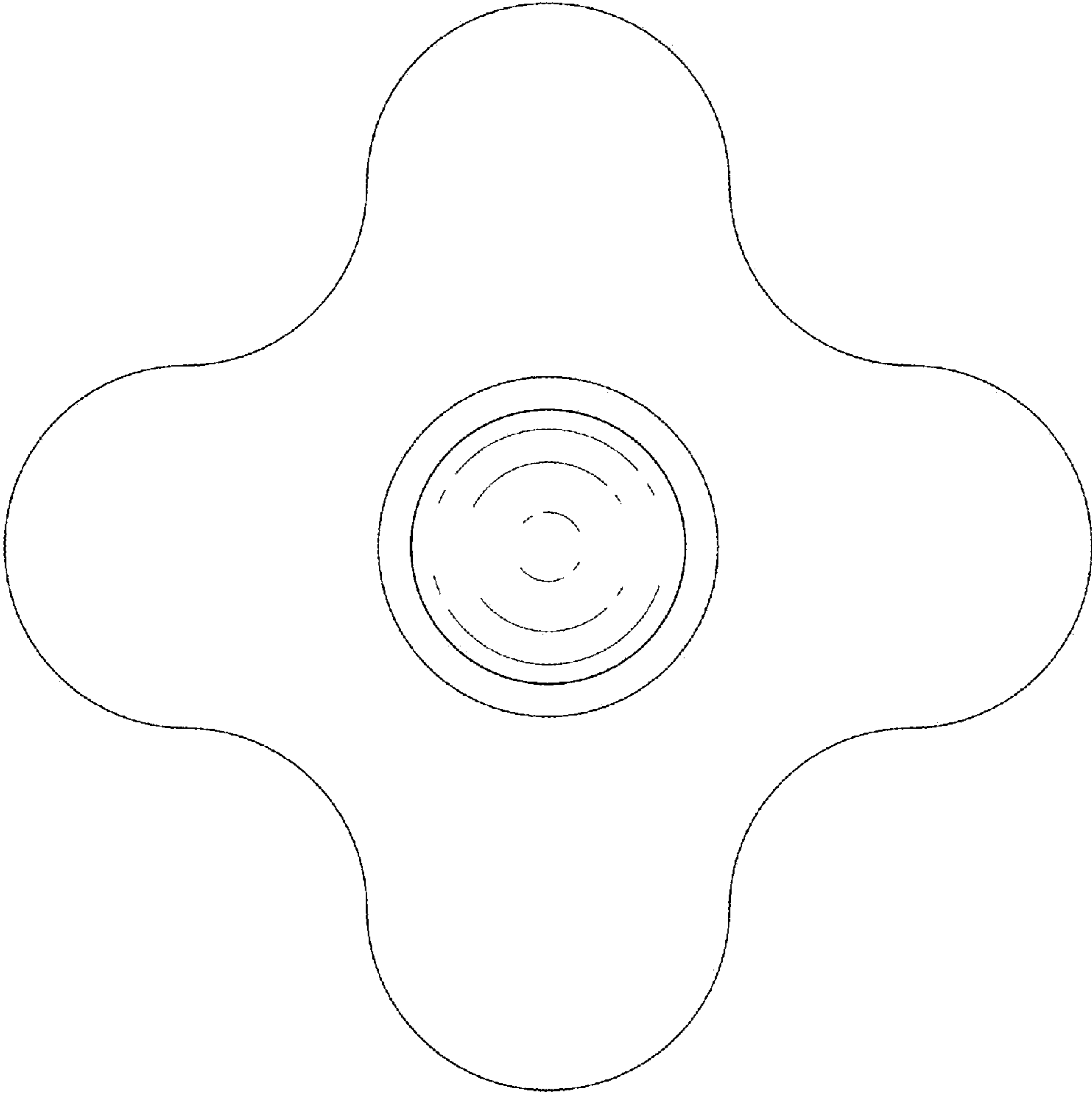


FIG. 9