



US00D746993S

(12) **United States Design Patent**
Lewis, Jr. et al.

(10) **Patent No.:** **US D746,993 S**
(45) **Date of Patent:** **** Jan. 5, 2016**

(54) **ULTRASOUND COUPLING BANDAGE**

(71) Applicant: **ZetrOZ, Inc.**, Trumbull, CT (US)

(72) Inventors: **George K. Lewis, Jr.**, Trumbull, CT (US); **Shane Fleshman**, Milford, CT (US)

(73) Assignee: **ZetrOZ, Inc.**, Trumbull, CT (US)

(**) Term: **14 Years**

(21) Appl. No.: **29/482,242**

(22) Filed: **Feb. 16, 2014**

(51) **LOC (10) Cl.** **24-01**

(52) **U.S. Cl.**
USPC **D24/187**

(58) **Field of Classification Search**
USPC D24/158, 185–187, 200, 129, 138, 160, D24/188–190; D10/60; 600/407, 446, 600/459–462, 437, 439, 372, 453, 588; 378/98.7, 98.8, 189; 601/2; 602/41–47, 602/52–59
See application file for complete search history.

(56) **References Cited**

U.S. PATENT DOCUMENTS

4,556,066	A *	12/1985	Semrow	600/372
4,920,966	A *	5/1990	Hon et al.	600/588
5,058,592	A *	10/1991	Whisler	600/453
5,354,261	A *	10/1994	Clark et al.	602/58
5,390,675	A *	2/1995	Sheehan et al.	600/453
D390,960	S *	2/1998	Ross	D24/189
D404,134	S *	1/1999	Dunshee	D24/189
D433,142	S *	10/2000	Nash et al.	D24/189
D599,909	S *	9/2009	Rinott et al.	D24/186
D603,050	S *	10/2009	Chen	D24/187
D639,437	S *	6/2011	Bishay et al.	D24/167
D663,432	S *	7/2012	Nichols	D24/189
D674,099	S *	1/2013	Nichols	D24/190

D713,537	S *	9/2014	Ben-Haim et al.	D24/200
2003/0060735	A1 *	3/2003	Coffey et al.	601/2
2008/0306388	A1 *	12/2008	Tanis et al.	600/459

* cited by examiner

Primary Examiner — T. Chase Nelson

Assistant Examiner — Mark Cavanna

(74) *Attorney, Agent, or Firm* — Heslin Rothenberg Farley & Mesiti P.C.; Andrew K. Gonsalves, Esq.

(57) **CLAIM**

The ornamental design for an ultrasound coupling bandage, as shown and described.

DESCRIPTION

FIG. 1 is a top perspective view of an ultrasound coupling bandage of the present design, showing four outer appendages each pointing in a different direction, with a first outer appendage pointing north, a second outer appendage pointing west, a third outer appendage pointing south, and a fourth outer appendage pointing east;

FIG. 2 is another top perspective view of thereof, showing the first outer appendage pointing southwest, the second outer appendage pointing southeast, the third outer appendage pointing northeast, and the fourth outer appendage pointing northwest;

FIG. 3 is a bottom perspective view of thereof;

FIG. 4 is a top plan view thereof, showing the first outer appendage pointing east, the second outer appendage pointing north, the third outer appendage pointing west, and the fourth outer appendage pointing south;

FIG. 5 is a side elevation view thereof, as viewed looking toward the first outer appendage;

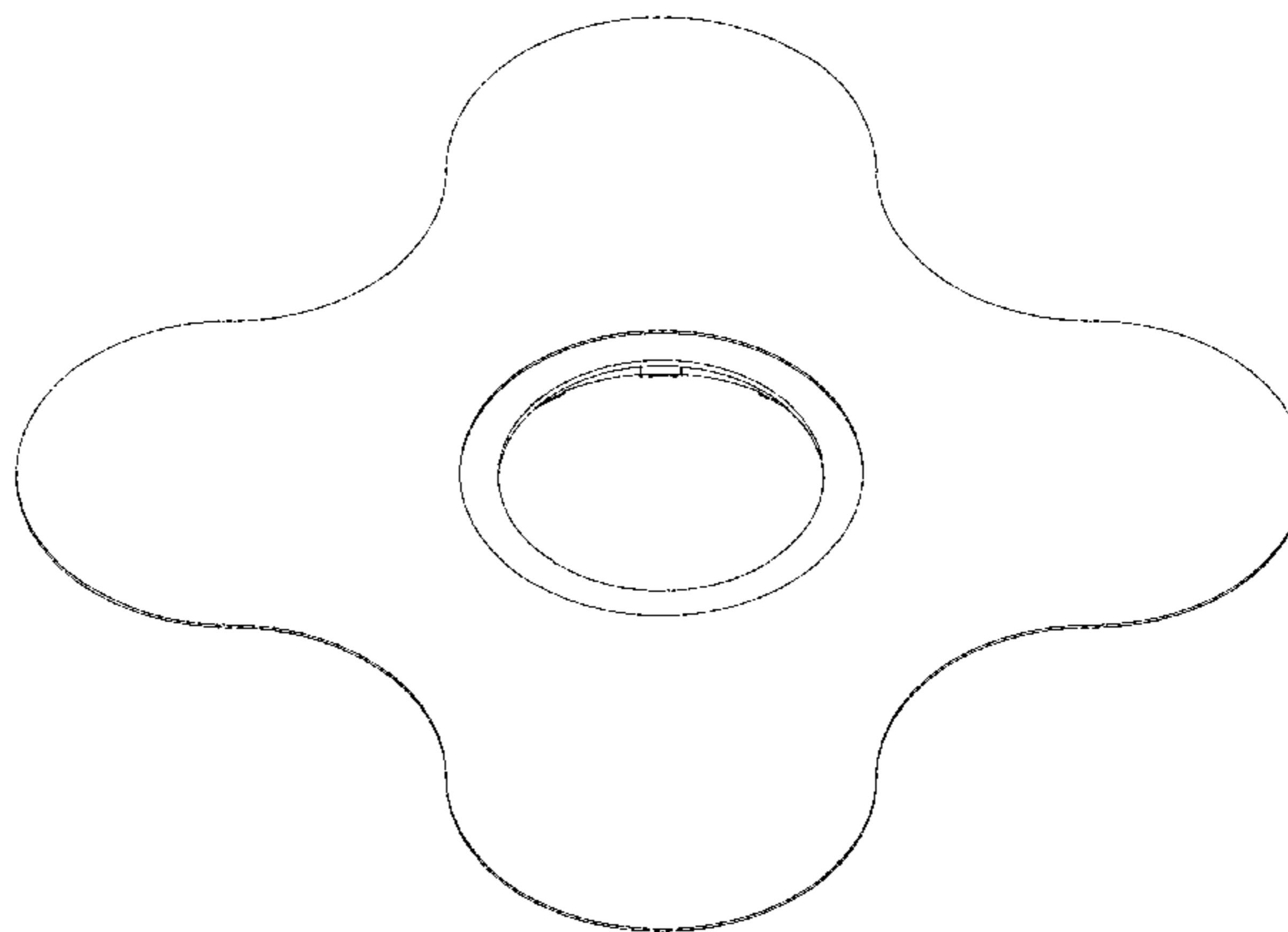
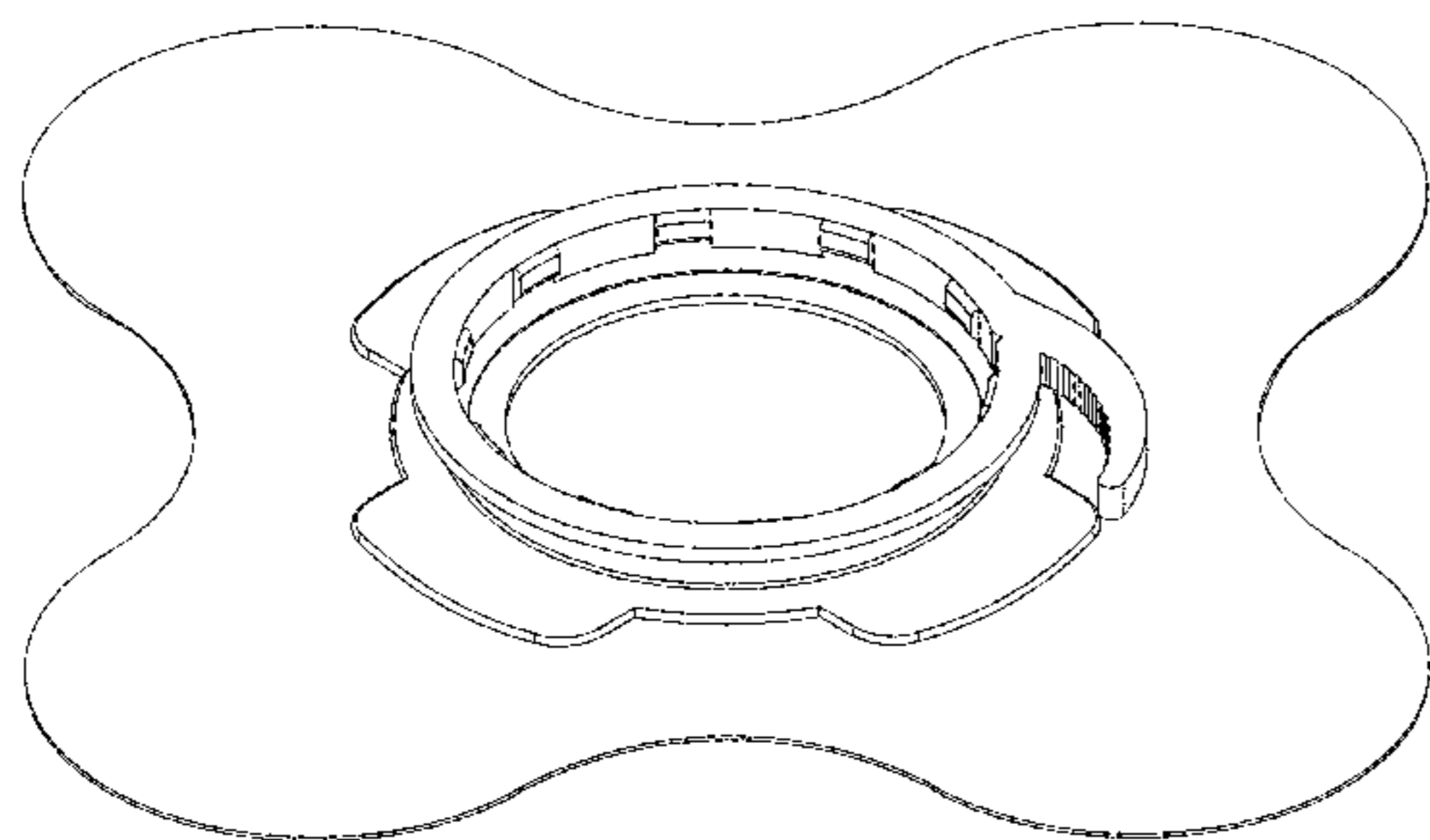
FIG. 6 is a side elevation view thereof, as viewed looking toward the second outer appendage;

FIG. 7 is a side elevation view thereof, as viewed looking toward the third outer appendage;

FIG. 8 is a side elevation view thereof, as viewed looking toward the fourth outer appendage; and,

FIG. 9 is a bottom plan view thereof.

1 Claim, 9 Drawing Sheets



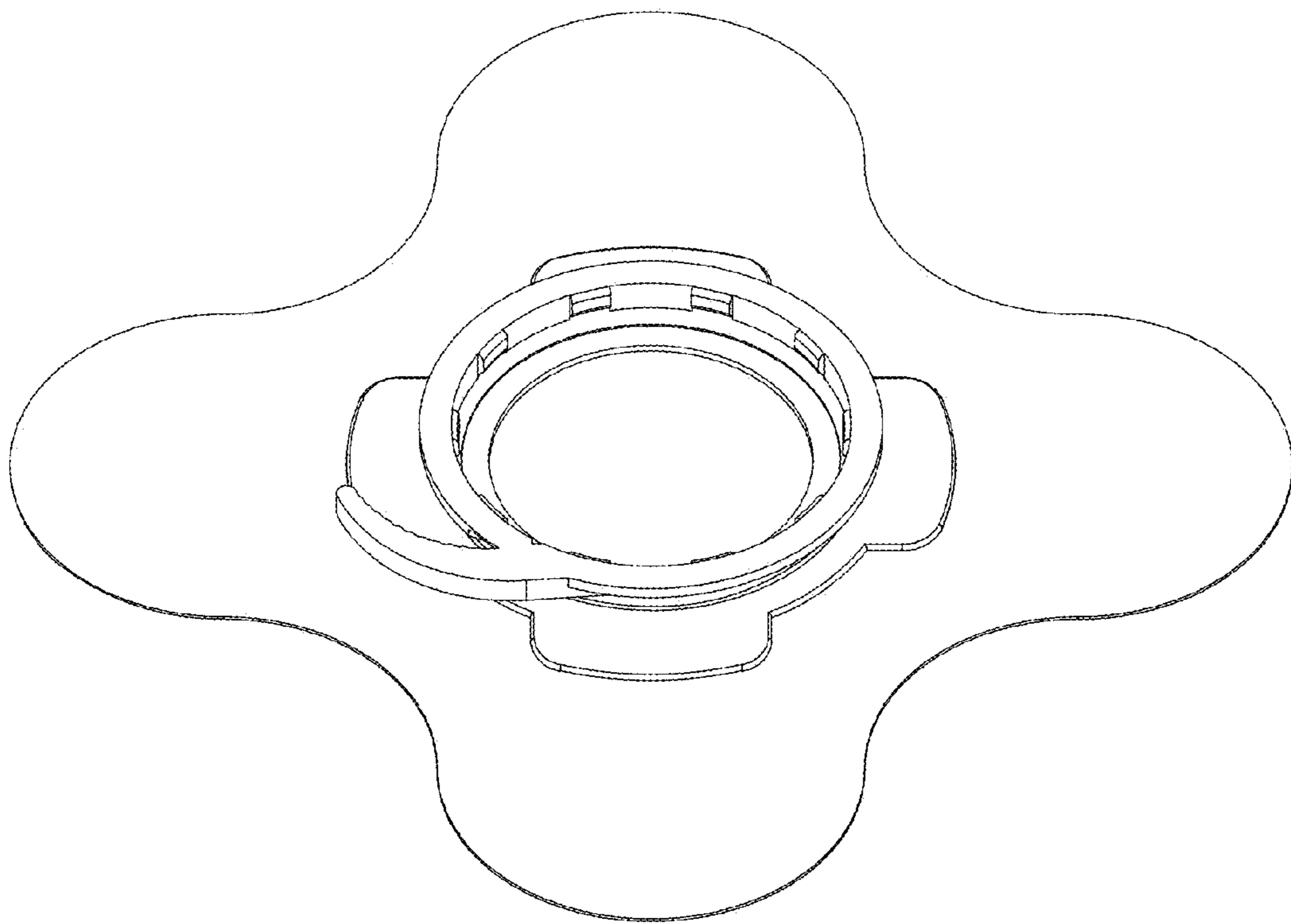


FIG. 1

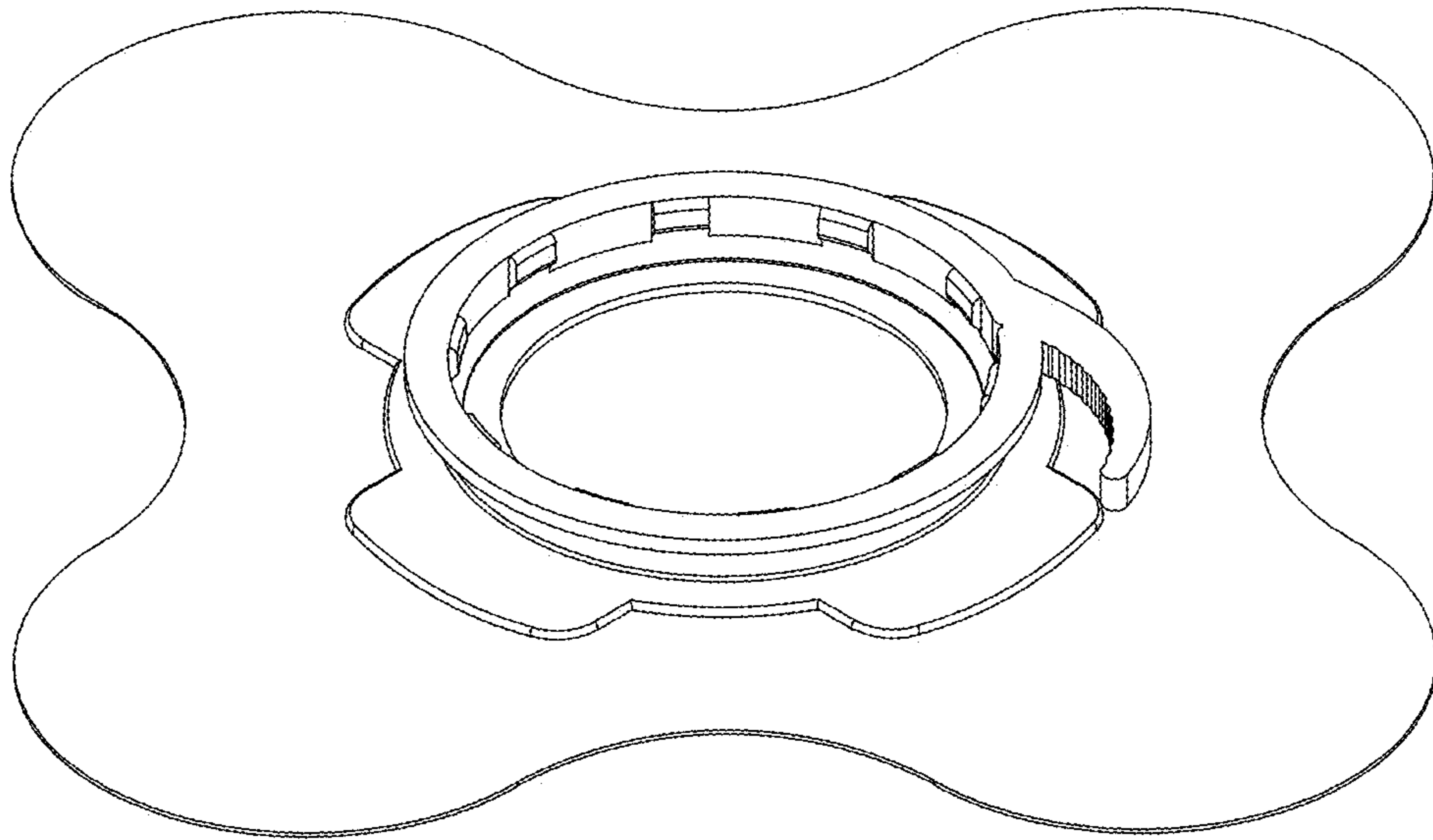


FIG. 2

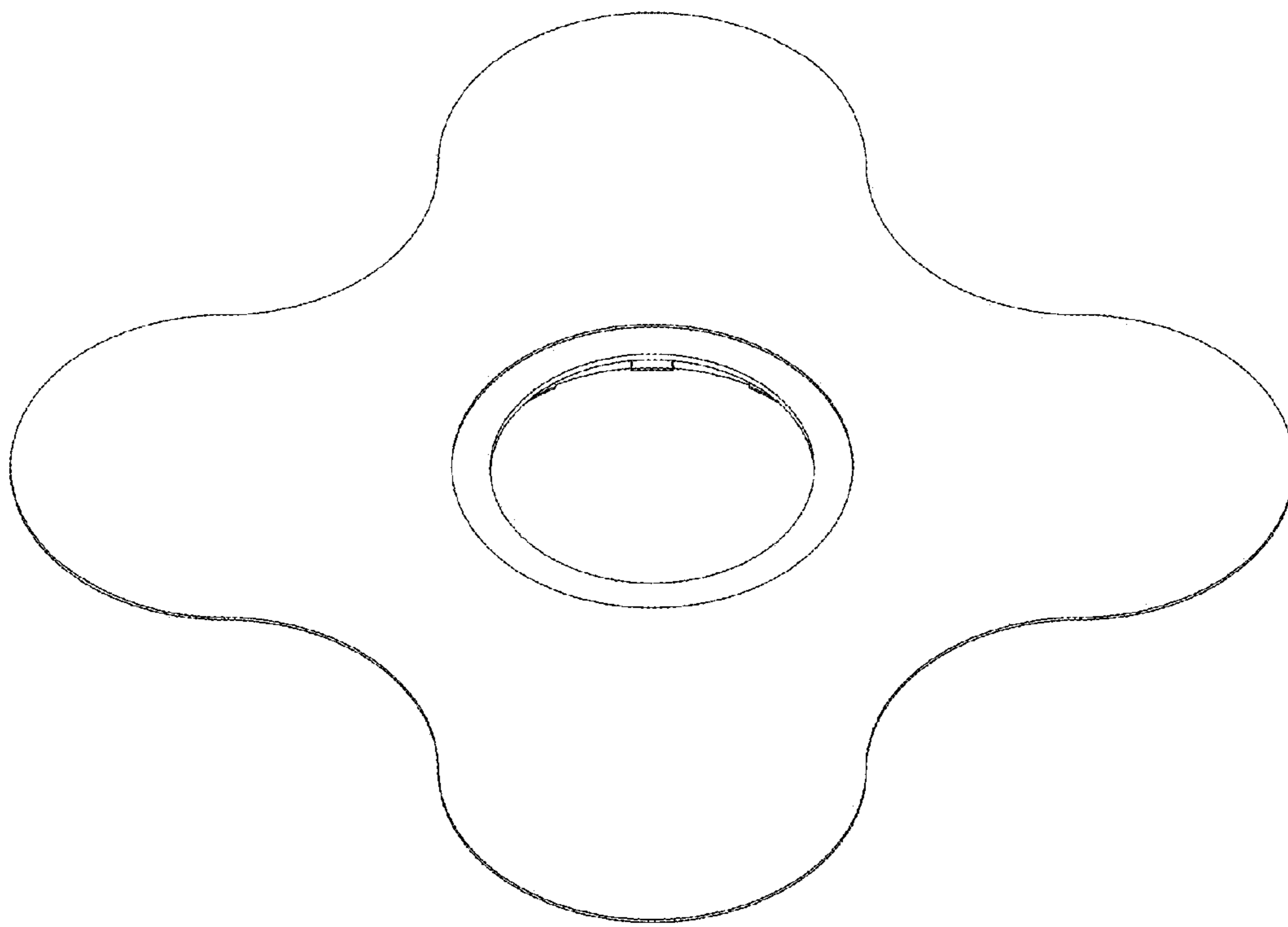


FIG. 3

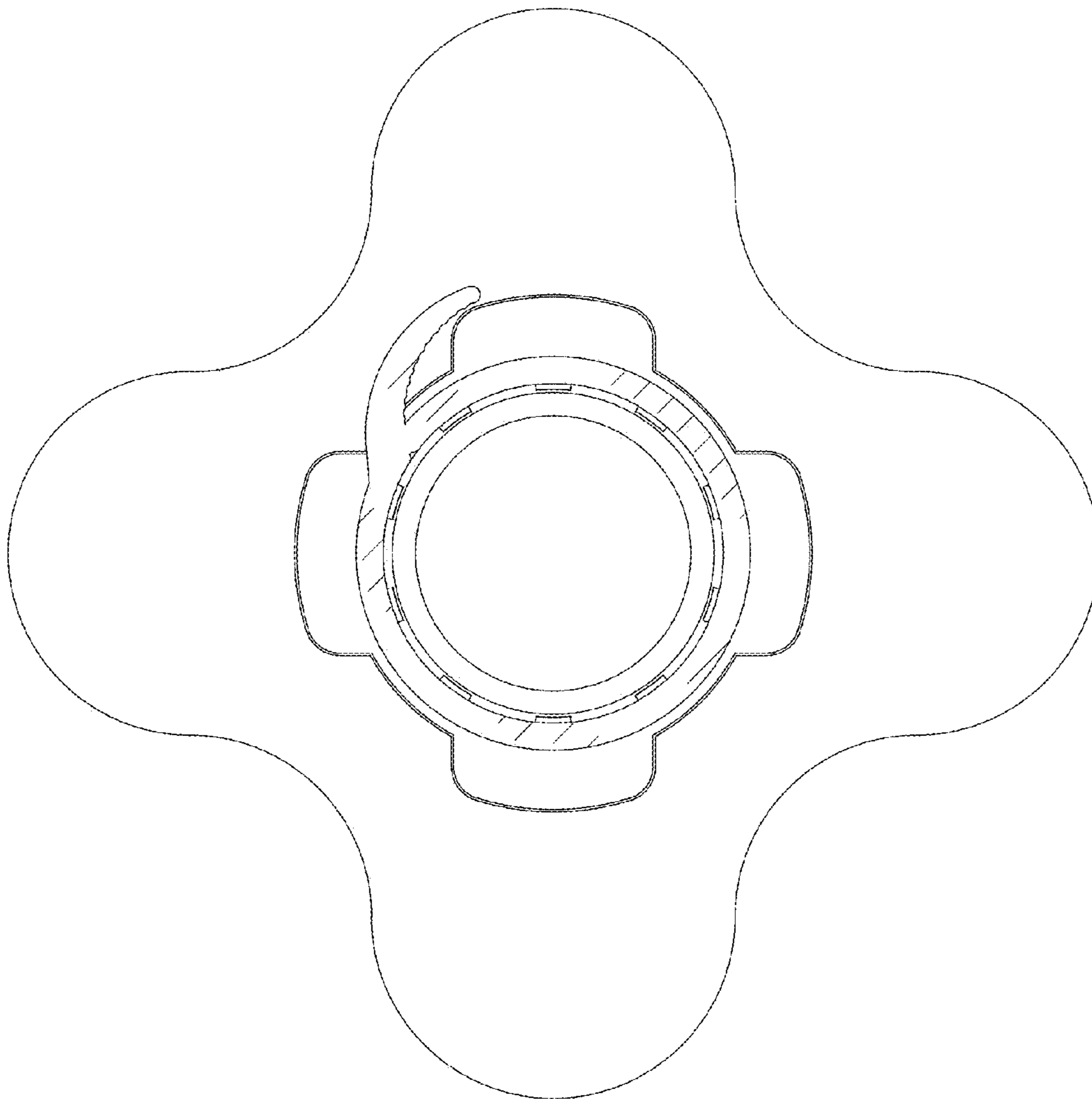


FIG. 4

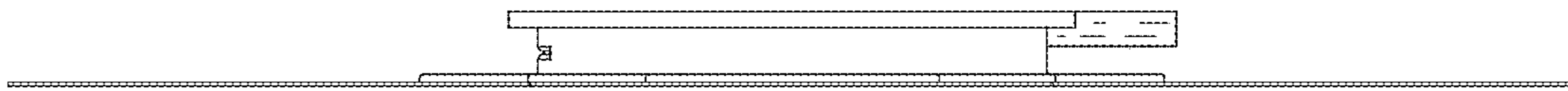


FIG. 5

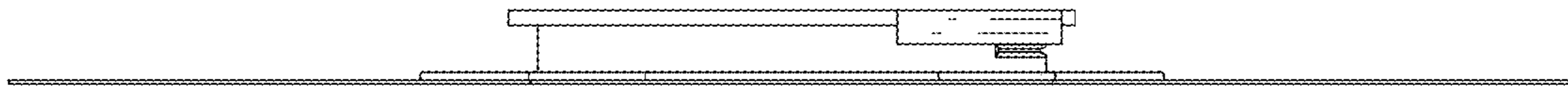


FIG. 6

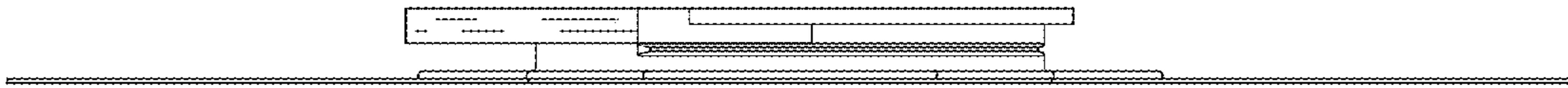


FIG. 7



FIG. 8

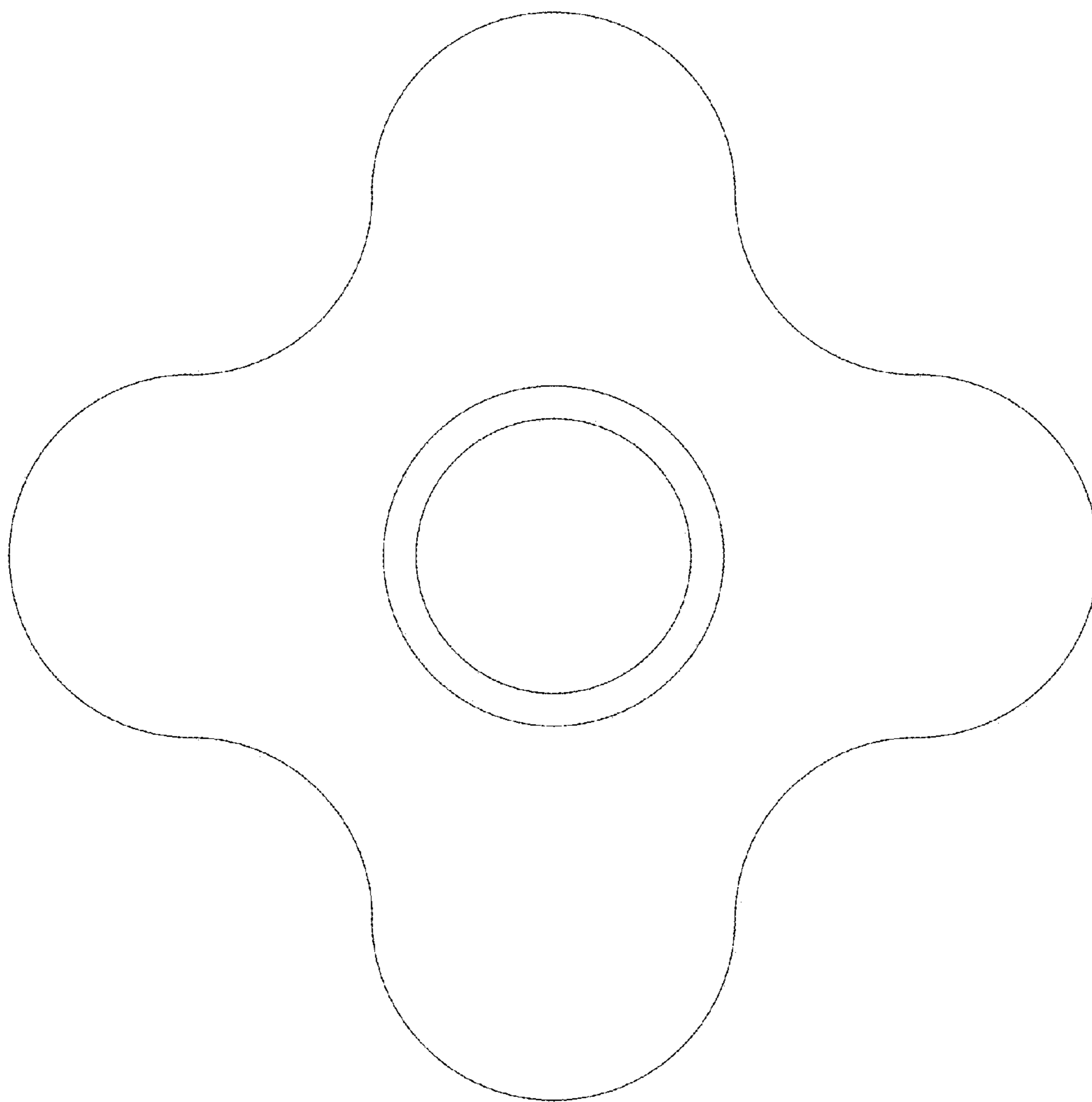


FIG. 9