

US00D746990S

(12) **United States Design Patent**  
**Goldstein**

(10) **Patent No.:** **US D746,990 S**  
(45) **Date of Patent:** **\*\* Jan. 5, 2016**

(54) **DENTAL APPLIANCE**

(71) Applicant: **Joseph Goldstein**, Los Angeles, CA  
(US)

(72) Inventor: **Joseph Goldstein**, Los Angeles, CA  
(US)

(\*\*) Term: **14 Years**

(21) Appl. No.: **29/474,624**

(22) Filed: **Dec. 1, 2014**

(51) **LOC (10) Cl.** ..... **24-02**

(52) **U.S. Cl.**  
USPC ..... **D24/180**

(58) **Field of Classification Search**  
USPC ..... D24/176-178, 180-181, 152, 110.5;  
D29/108; 128/848, 859-862; 433/6,  
433/18-24, 37-38, 141, 146, 168.1,  
433/214-215  
CPC ..... A61F 5/566; A61F 5/56; A61F 5/0006;  
A61M 16/049; A61C 7/08; A61C 7/36;  
A61C 17/228; A61C 5/14  
See application file for complete search history.

(56) **References Cited**

**U.S. PATENT DOCUMENTS**

3,132,647 A \* 5/1964 Corniello ..... 128/848  
4,376,628 A \* 3/1983 Aardse ..... 433/42

5,117,816 A \* 6/1992 Shapiro et al. .... 128/861  
5,313,960 A \* 5/1994 Tomasi ..... 128/848  
6,516,805 B1 \* 2/2003 Thornton ..... 128/848  
8,205,618 B2 \* 6/2012 Berghash et al. .... 128/861  
D719,266 S \* 12/2014 Goldstein ..... D24/180  
2013/0273490 A1 \* 10/2013 Way et al. .... 433/6

\* cited by examiner

*Primary Examiner* — Wan Laymon

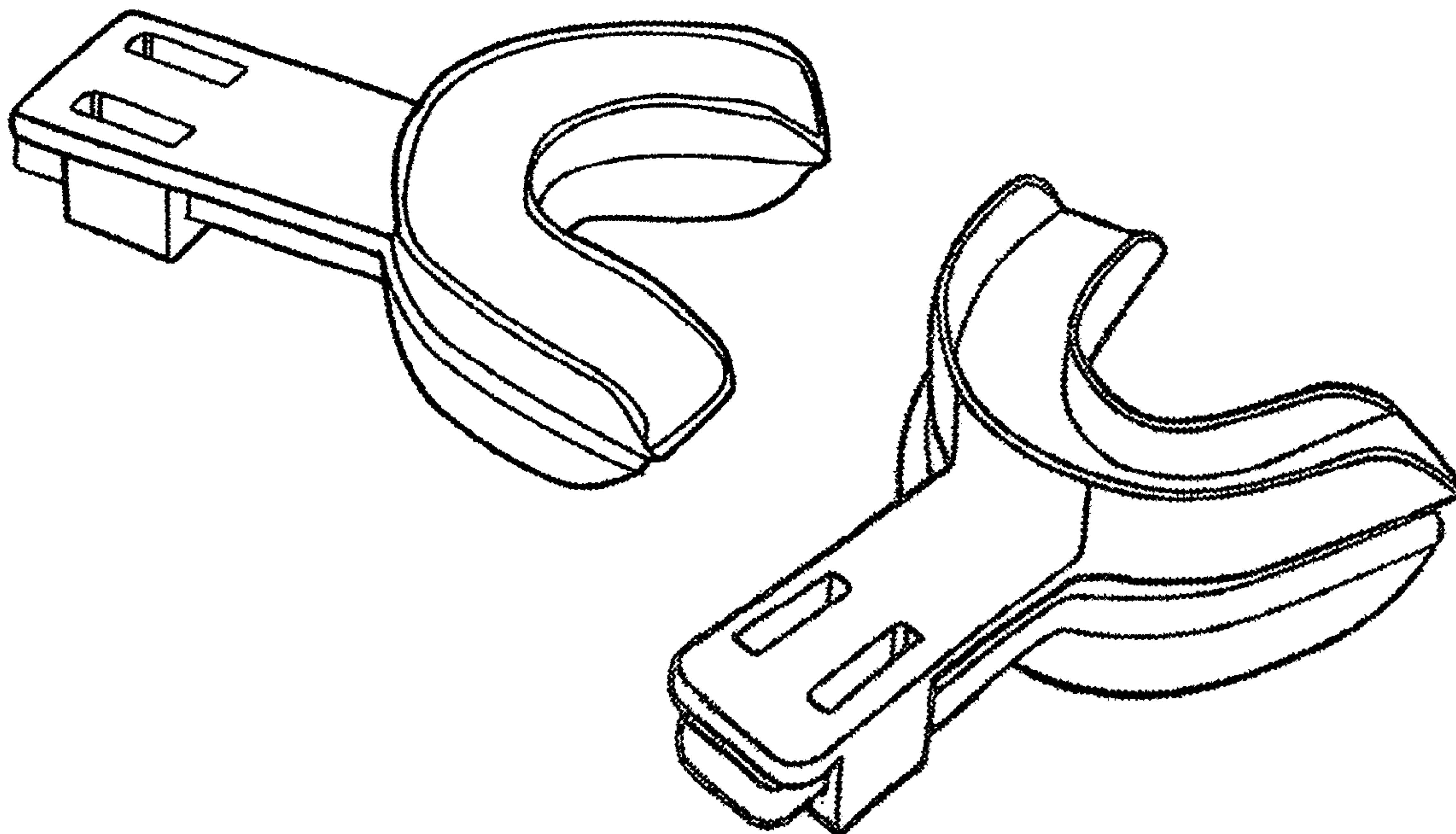
(57) **CLAIM**

I claim the ornamental design for a dental appliance, as shown and described.

**DESCRIPTION**

FIG. 1 is a top perspective view of a dental appliance, showing my new design in an aligned position;  
FIG. 2 is a top plan view of FIG. 1;  
FIG. 3 is a bottom plan view of FIG. 1;  
FIG. 4 is a left-side elevational view of FIG. 1, the right-side elevational view being a mirror image thereof;  
FIG. 5 is a front elevational view of FIG. 1;  
FIG. 6 is a rear elevational view of FIG. 1;  
FIG. 7 is a bottom perspective view of FIG. 1;  
FIG. 8 is a left-side elevational view thereof, illustrated in a non-aligned position;  
FIG. 9 is a top perspective view of FIG. 8; and,  
FIG. 10 is a top plan view of FIG. 8.

**1 Claim, 5 Drawing Sheets**



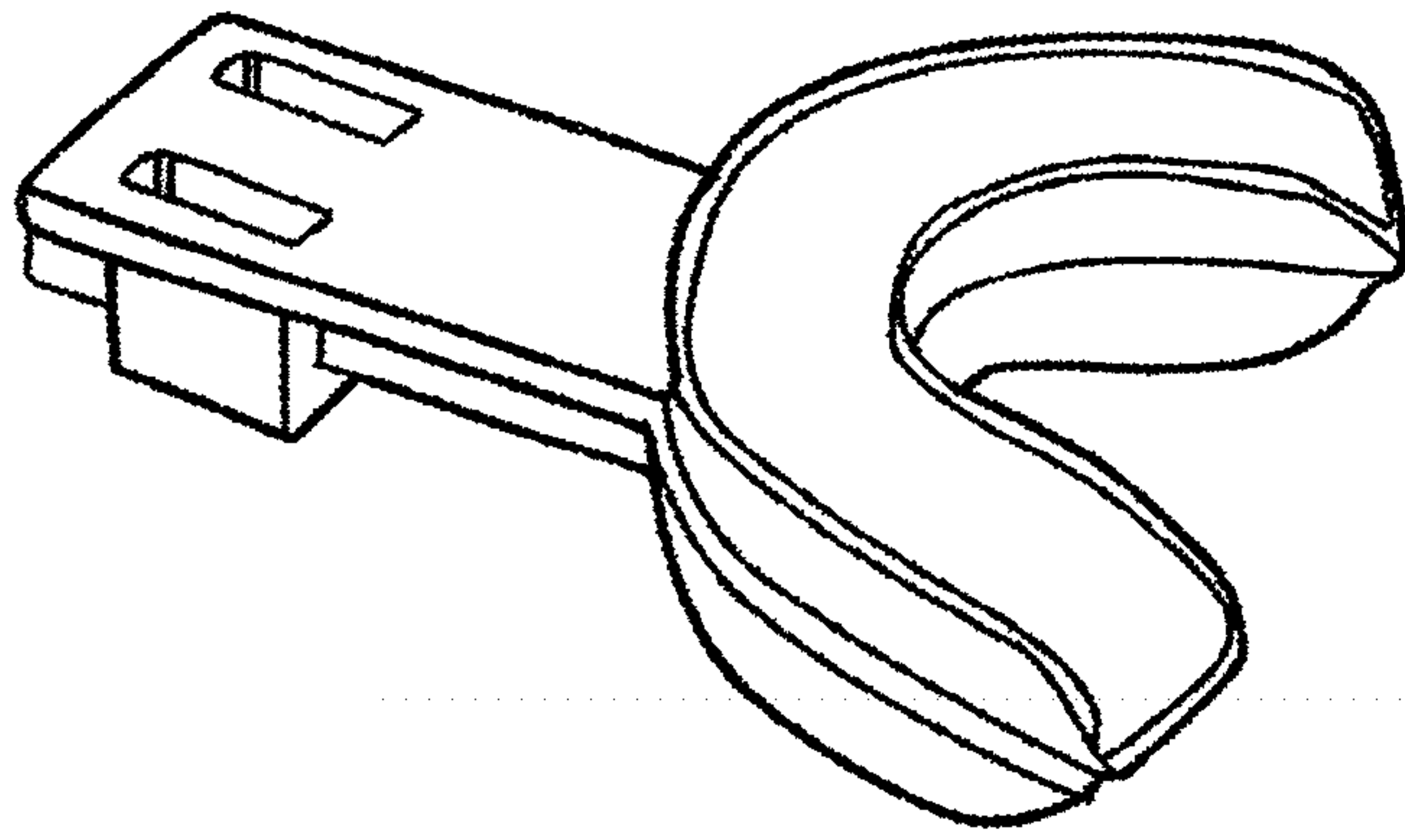


FIG 1

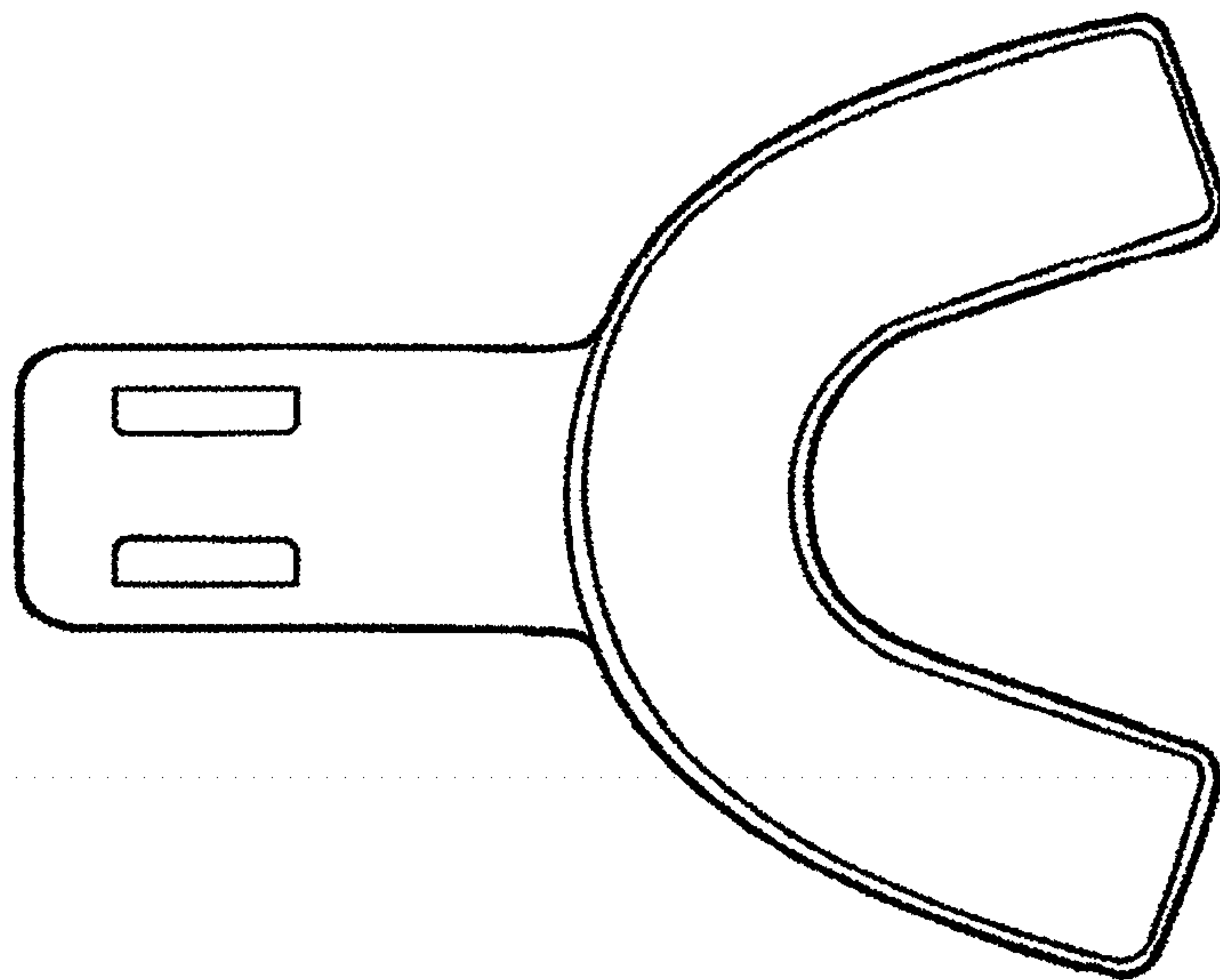


FIG 2

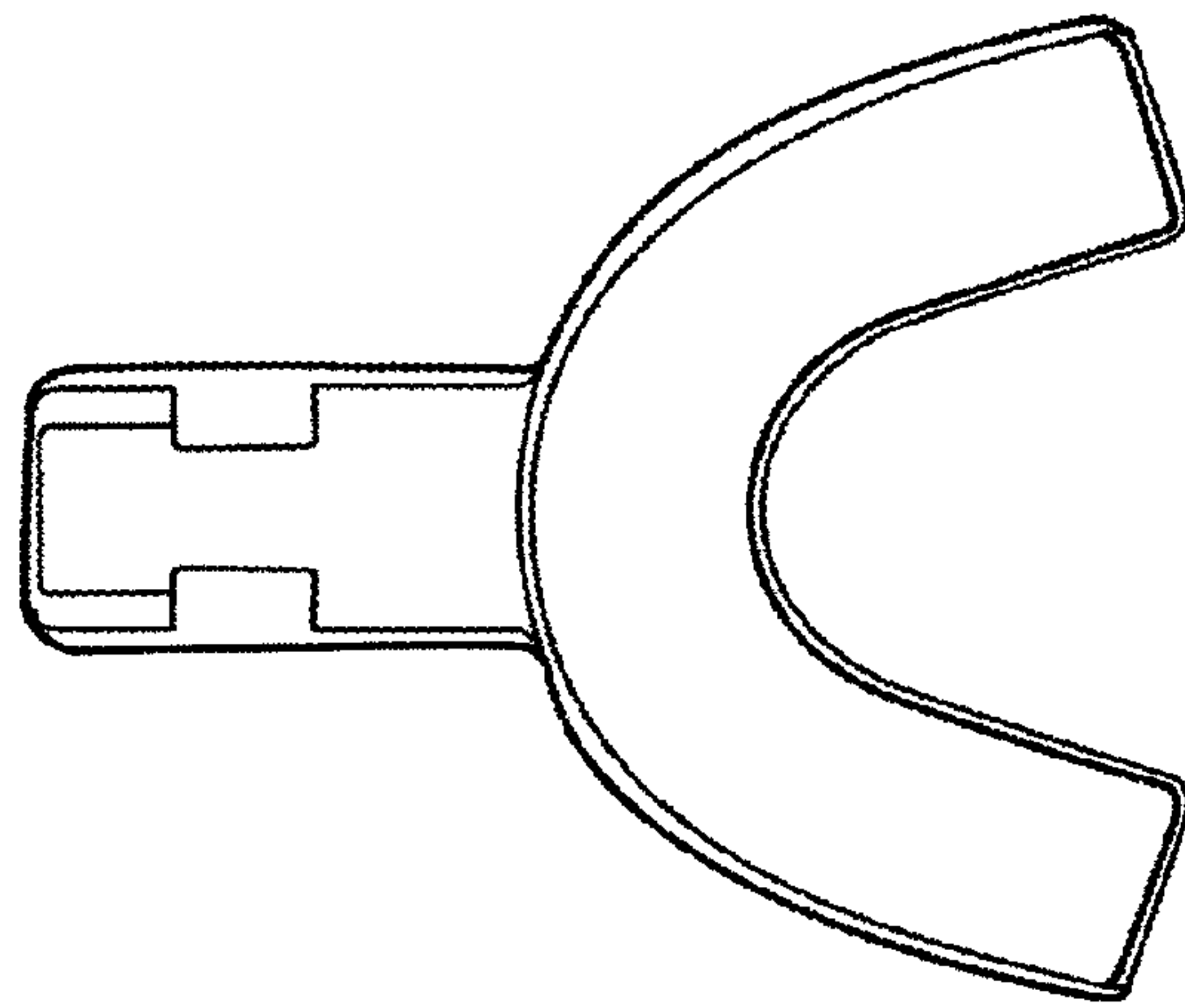


FIG 3

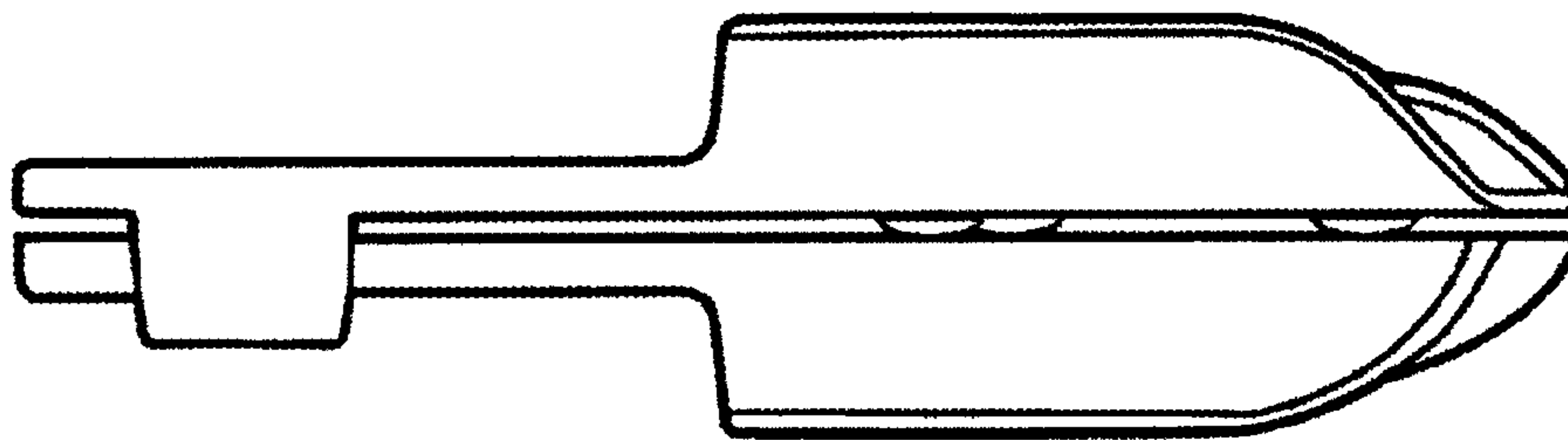


FIG 4

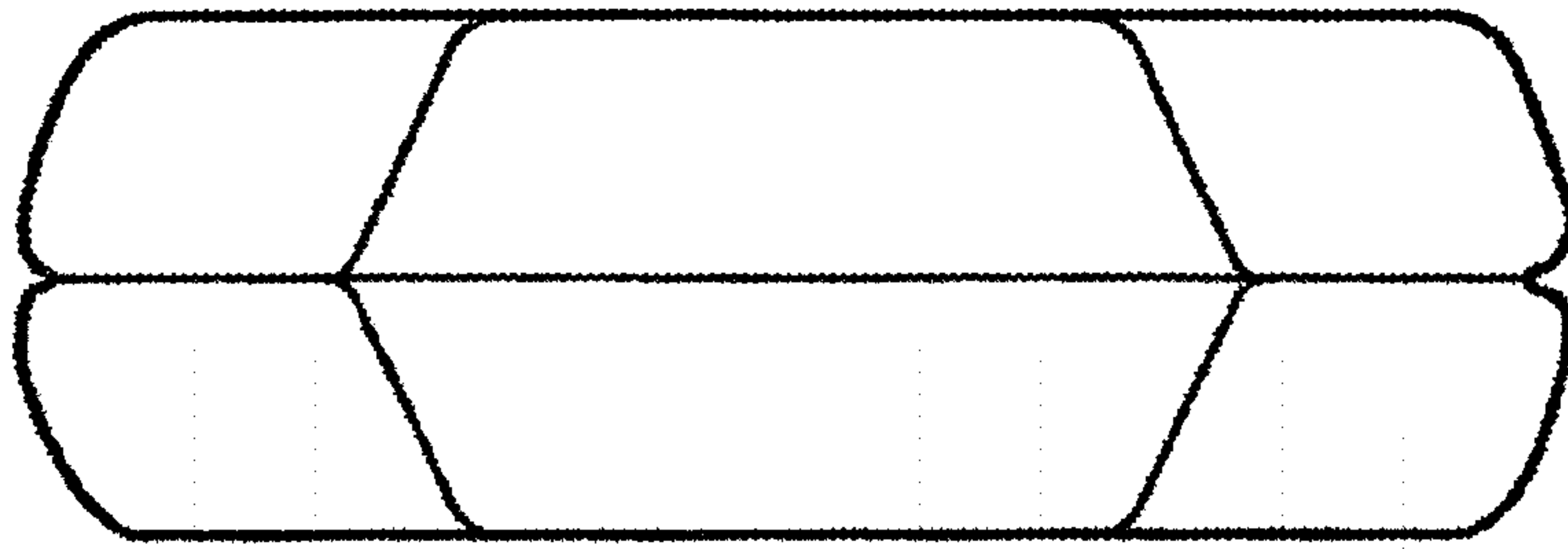


FIG 5

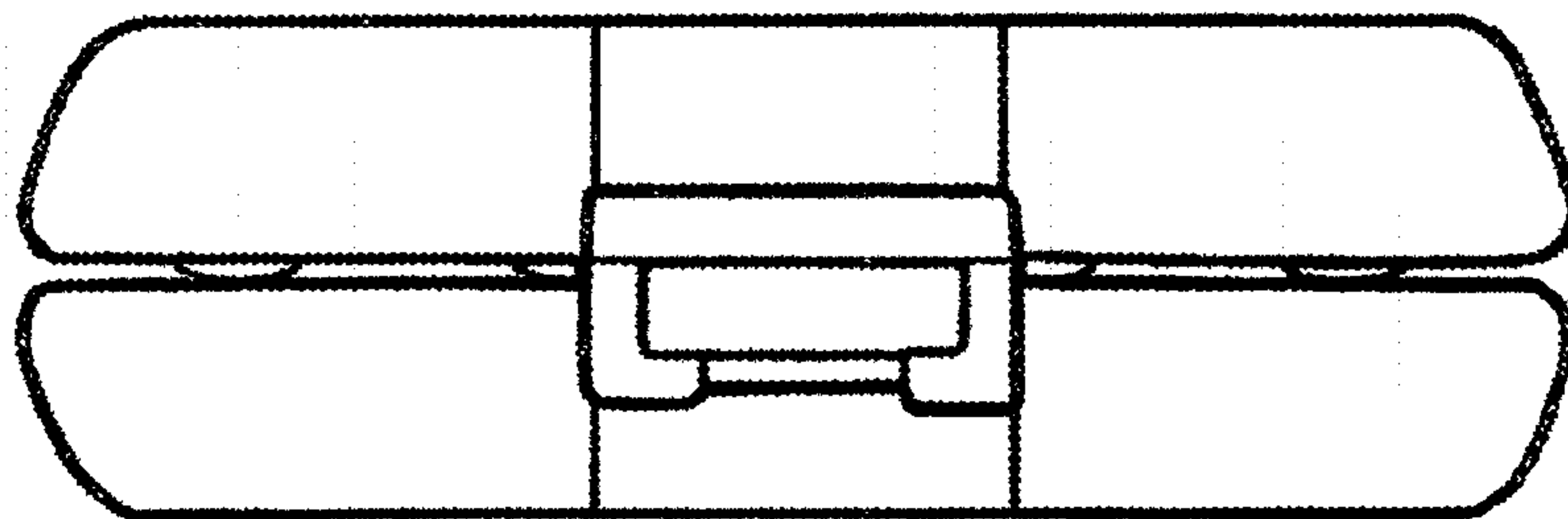


FIG 6

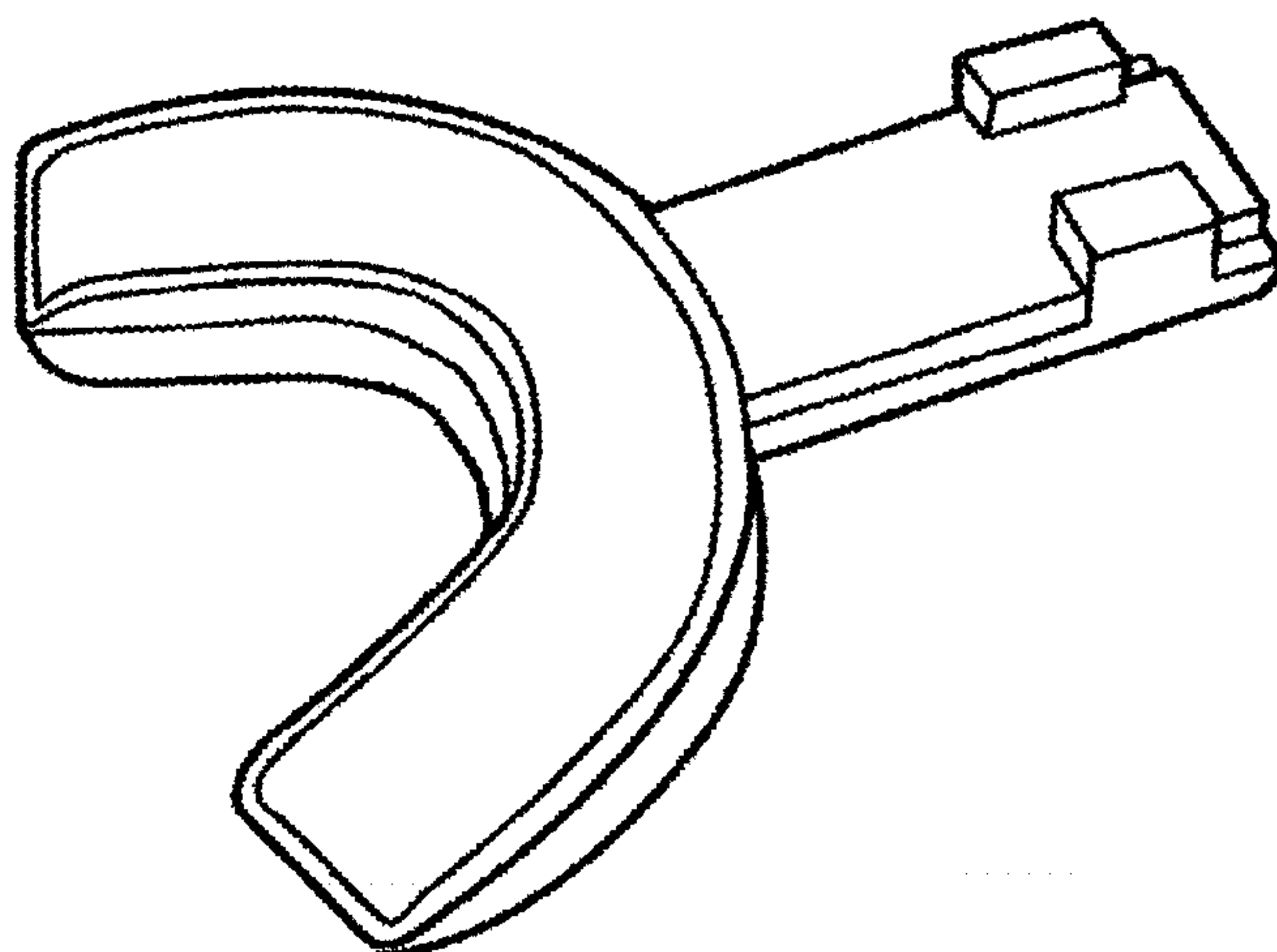


FIG 7

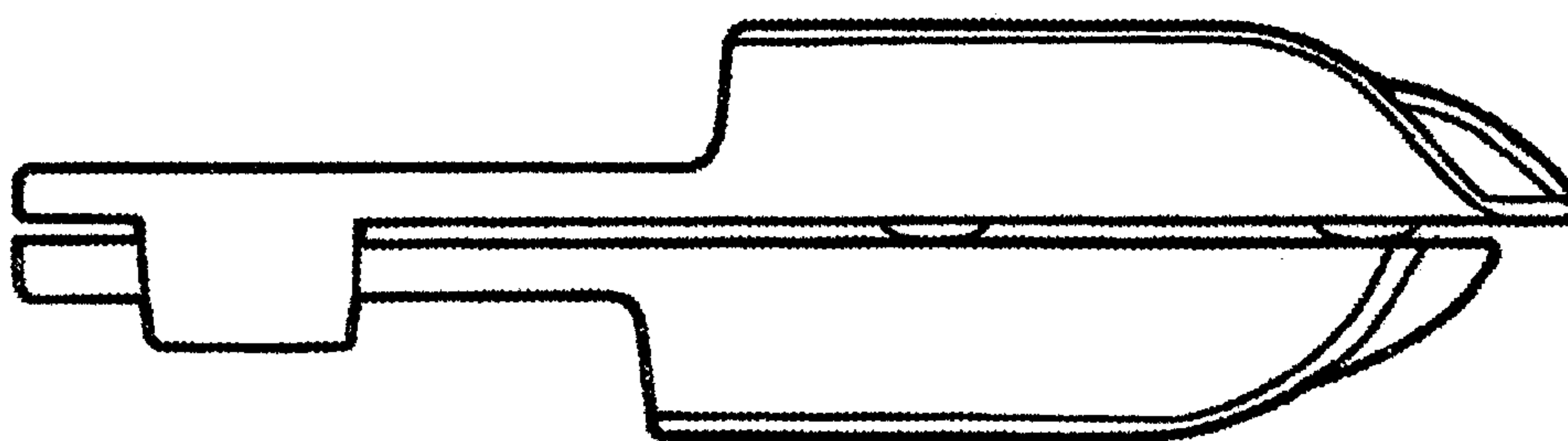


FIG 8

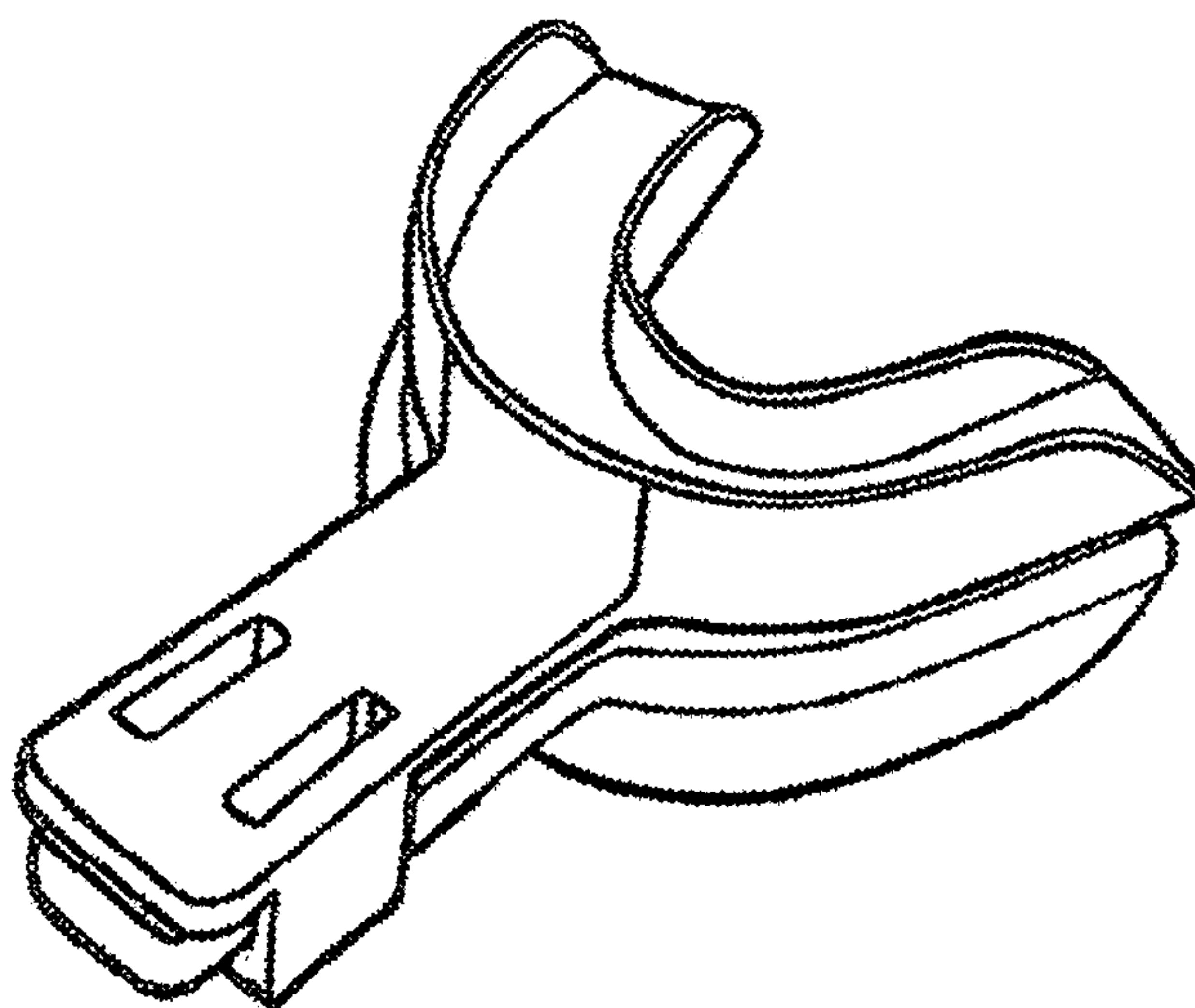


FIG 9

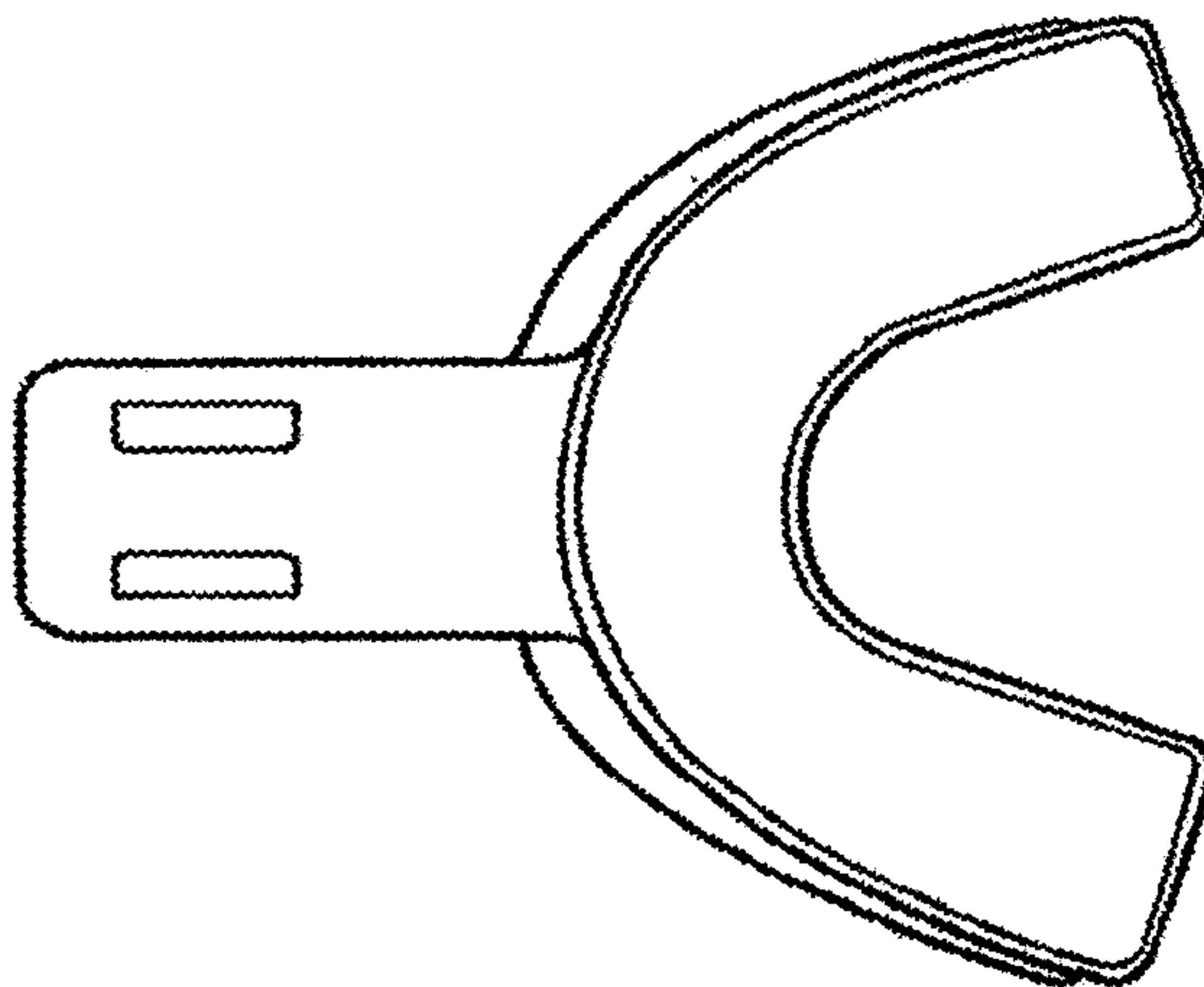


FIG 10