



US00D746989S

(12) **United States Design Patent**
Goldberg

(10) **Patent No.:** **US D746,989 S**
(45) **Date of Patent:** **** Jan. 5, 2016**

- (54) **IMPLANT**
- (71) Applicant: **CATALYST ORTHOPAEDICS LLC**,
Naples, FL (US)
- (72) Inventor: **Steven S. Goldberg**, Naples, FL (US)
- (73) Assignee: **CATALYST ORTHOPAEDICS LLC**,
Naples, FL (US)
- (**) Term: **15 Years**
- (21) Appl. No.: **29/531,101**
- (22) Filed: **Jun. 23, 2015**

- 5,032,132 A 7/1991 Matsen, III
 - 5,370,702 A * 12/1994 Jones A61F 2/34
606/91
 - 5,489,309 A * 2/1996 Lackey A61F 2/40
623/19.14
 - 5,549,682 A * 8/1996 Roy A61F 2/4014
623/19.14
 - 5,549,684 A 8/1996 Amino
- (Continued)

FOREIGN PATENT DOCUMENTS

- EP 2446859 5/2012
- EP 2474288 9/2013

(Continued)

Primary Examiner — Holly Baynham
Assistant Examiner — Rhea Shields

(74) *Attorney, Agent, or Firm* — Maywood IP Law; G. Jo Hays; David W. Meibos

Related U.S. Application Data

- (63) Continuation of application No. 29/471,474, filed on Oct. 31, 2013, now Pat. No. Des. 735,338, which is a continuation of application No. 14/069,154, filed on Oct. 31, 2013.
- (51) **LOC (10) Cl.** **24-00**
- (52) **U.S. Cl.**
USPC **D24/171**
- (58) **Field of Classification Search**
USPC D24/171, 155, 185; 623/19.14, 20.15,
623/16.11, 19.13, 19.11, 18.11, 22.32,
623/22.26, 19.12, 20.11; 606/99; D30/160
CPC A61F 2220/0033; A61F 2/3804; A61F
2/4081; A61F 2002/30604; A61F 2/34;
A61F 2220/0025; A61F 2/28; A61F 2/4611
See application file for complete search history.

(57) **CLAIM**

The ornamental design for an implant, as shown and described.

DESCRIPTION

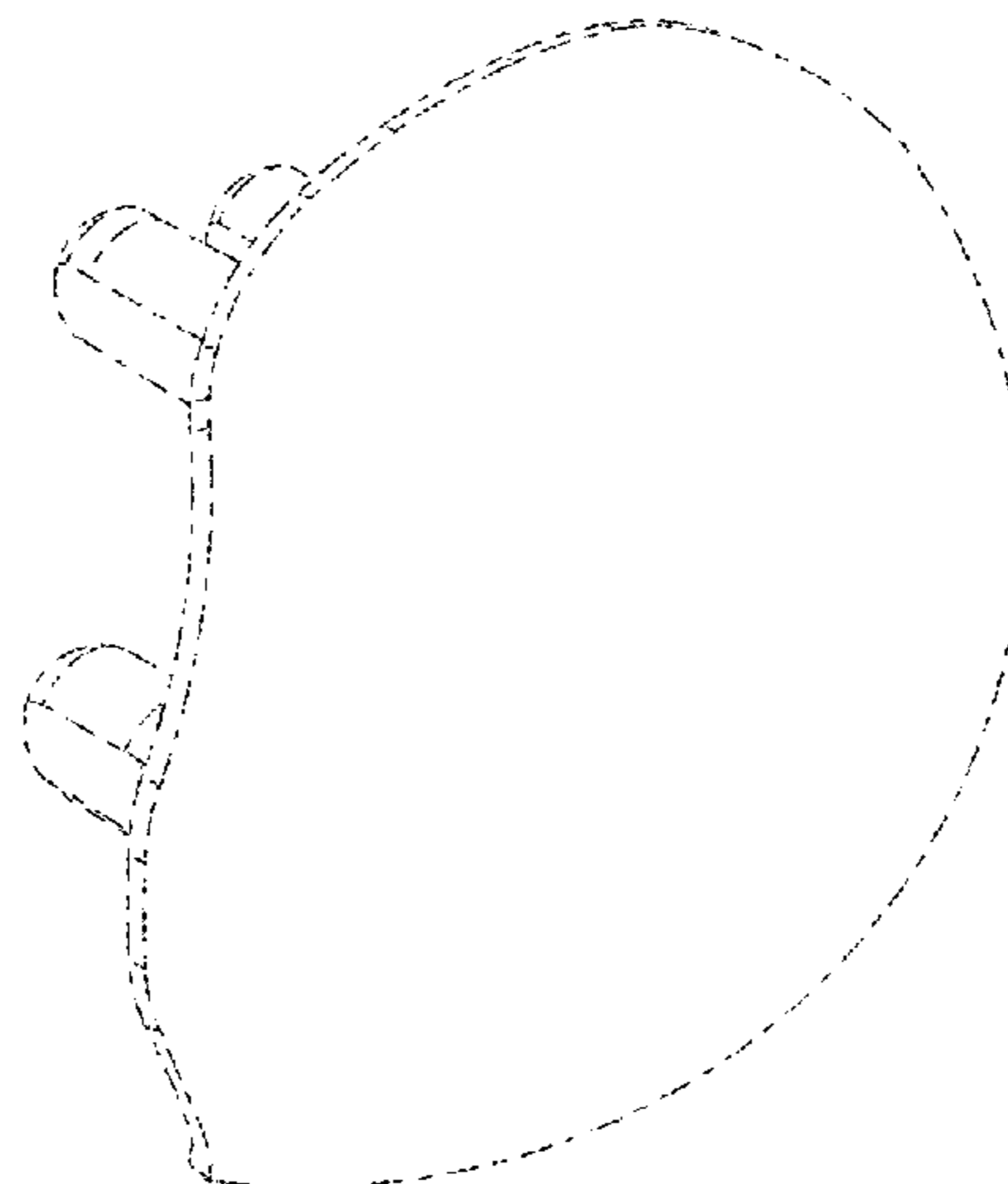
FIG. 1 is a front left perspective view of an implant;
 FIG. 2 is a back left perspective view of the implant;
 FIG. 3 is a back view of the implant;
 FIG. 4 is a front view of the implant;
 FIG. 5 is a right view of the implant;
 FIG. 6 is a left view of the implant;
 FIG. 7 is a top view of the implant;
 FIG. 8 is a bottom view of the implant;
 FIG. 9 is a cross sectional view of a left portion of the implant taken along line 9-9 of FIG. 3; and,
 FIG. 10 is a cross sectional view of a bottom portion of the implant taken along line 10-10 of FIG. 3.
 In the drawings, the broken lines depict environmental subject matter only and form no part of the claimed design.

(56) **References Cited**

U.S. PATENT DOCUMENTS

- 4,106,130 A 8/1978 Scales
- 4,206,517 A 6/1980 Pappas
- 4,550,450 A 11/1985 Kinnett
- D285,968 S * 9/1986 Kinnett 623/19.13
- 4,986,833 A 1/1991 Worland

1 Claim, 5 Drawing Sheets



(56)

References Cited

U.S. PATENT DOCUMENTS

5,593,450 A 1/1997 Scott
 5,776,200 A * 7/1998 Johnson A61B 17/155
 623/20.15
 5,800,551 A 9/1998 Williamson
 5,800,557 A 9/1998 Elhami
 5,876,456 A * 3/1999 Sederholm A61F 2/34
 623/16.11
 5,928,285 A * 7/1999 Bigliani A61F 2/40
 623/19.13
 5,944,758 A * 8/1999 Mansat A61F 2/40
 623/19.14
 5,961,555 A * 10/1999 Huebner A61F 2/40
 623/19.11
 6,056,777 A * 5/2000 McDowell A61F 2/30728
 623/18.11
 6,139,582 A * 10/2000 DeCarlo, Jr. A61F 2/30771
 623/22.23
 6,152,960 A 11/2000 Pappas
 6,162,256 A * 12/2000 Ostiguy, Jr. A61F 2/34
 623/22.26
 6,171,340 B1 * 1/2001 McDowell A61F 2/30724
 623/18.11
 6,171,341 B1 * 1/2001 Boileau A61F 2/40
 623/19.11
 6,187,012 B1 * 2/2001 Masini A61B 17/15
 606/99
 6,197,062 B1 * 3/2001 Fenlin A61F 2/4014
 623/19.12
 6,197,063 B1 * 3/2001 Dews A61F 2/4014
 623/19.14
 6,228,120 B1 * 5/2001 Leonard A61F 2/4014
 623/18.11
 6,245,074 B1 6/2001 Allard
 6,379,386 B1 * 4/2002 Resch A61B 17/1604
 623/19.13
 6,398,812 B1 * 6/2002 Masini A61F 2/4059
 623/19.11
 6,508,840 B1 * 1/2003 Rockwood, Jr. A61F 2/40
 128/898
 6,520,964 B2 2/2003 Tallarida
 6,783,549 B1 8/2004 Stone
 7,160,329 B2 * 1/2007 Cooney, III A61F 2/3804
 623/20.11
 7,255,717 B2 8/2007 Park
 7,294,149 B2 11/2007 Hozack
 7,621,962 B2 11/2009 Lakin
 7,670,382 B2 3/2010 Parrott
 8,007,538 B2 * 8/2011 Gunther A61B 17/15
 623/19.11
 8,128,704 B2 3/2012 Brown

8,157,866 B2 4/2012 Winslow
 8,308,809 B2 11/2012 Bishop
 8,439,978 B2 5/2013 Ebbitt
 8,444,646 B2 5/2013 Long
 8,465,548 B2 6/2013 Long
 8,690,958 B2 4/2014 Klawitter
 8,747,478 B2 6/2014 Ries
 D721,459 S * 1/2015 Smith D30/160
 D723,692 S * 3/2015 Meyer D24/155
 2001/0047210 A1 11/2001 Wolf
 2003/0135280 A1 7/2003 Kopylov
 2003/0181984 A1 9/2003 Abendschein
 2003/0204263 A1 10/2003 Justin
 2005/0049709 A1 3/2005 Tornier
 2005/0177242 A1 8/2005 Lotke
 2006/0111787 A1 5/2006 Bailie
 2007/0112431 A1 5/2007 Kofoed
 2007/0219638 A1 9/2007 Jones
 2007/0225818 A1 9/2007 Reubelt
 2008/0004709 A1 1/2008 O'Neill
 2008/0021564 A1 1/2008 Gunther
 2008/0188942 A1 8/2008 Brown
 2008/0221700 A1 9/2008 Howald
 2009/0043397 A1 2/2009 Park
 2009/0192621 A1 7/2009 Winslow
 2009/0226068 A1 9/2009 Fitz
 2009/0248170 A1 10/2009 Tuke
 2009/0326663 A1 12/2009 Dun
 2010/0076567 A1 3/2010 Justin
 2010/0076570 A1 3/2010 Band
 2010/0174379 A1 7/2010 McMinn
 2010/0241235 A1 9/2010 Basamania
 2010/0305713 A1 12/2010 Grundei
 2011/0153026 A1 6/2011 Heggendorf
 2011/0230972 A1 9/2011 Katrana
 2012/0130500 A1 5/2012 Maroney
 2012/0209392 A1 8/2012 Angibaud
 2013/0024000 A1 1/2013 Bojarski
 2013/0226305 A1 8/2013 Donno
 2014/0121780 A1 5/2014 Faure
 2014/0277522 A1 * 9/2014 Goldberg A61F 2/4014
 623/19.14
 2015/0045902 A1 2/2015 Perler

FOREIGN PATENT DOCUMENTS

WO WO0018335 4/2000
 WO WO0217822 3/2002
 WO WO2006110896 10/2006
 WO WO2012030794 3/2012
 WO WO2014005644 1/2014

* cited by examiner

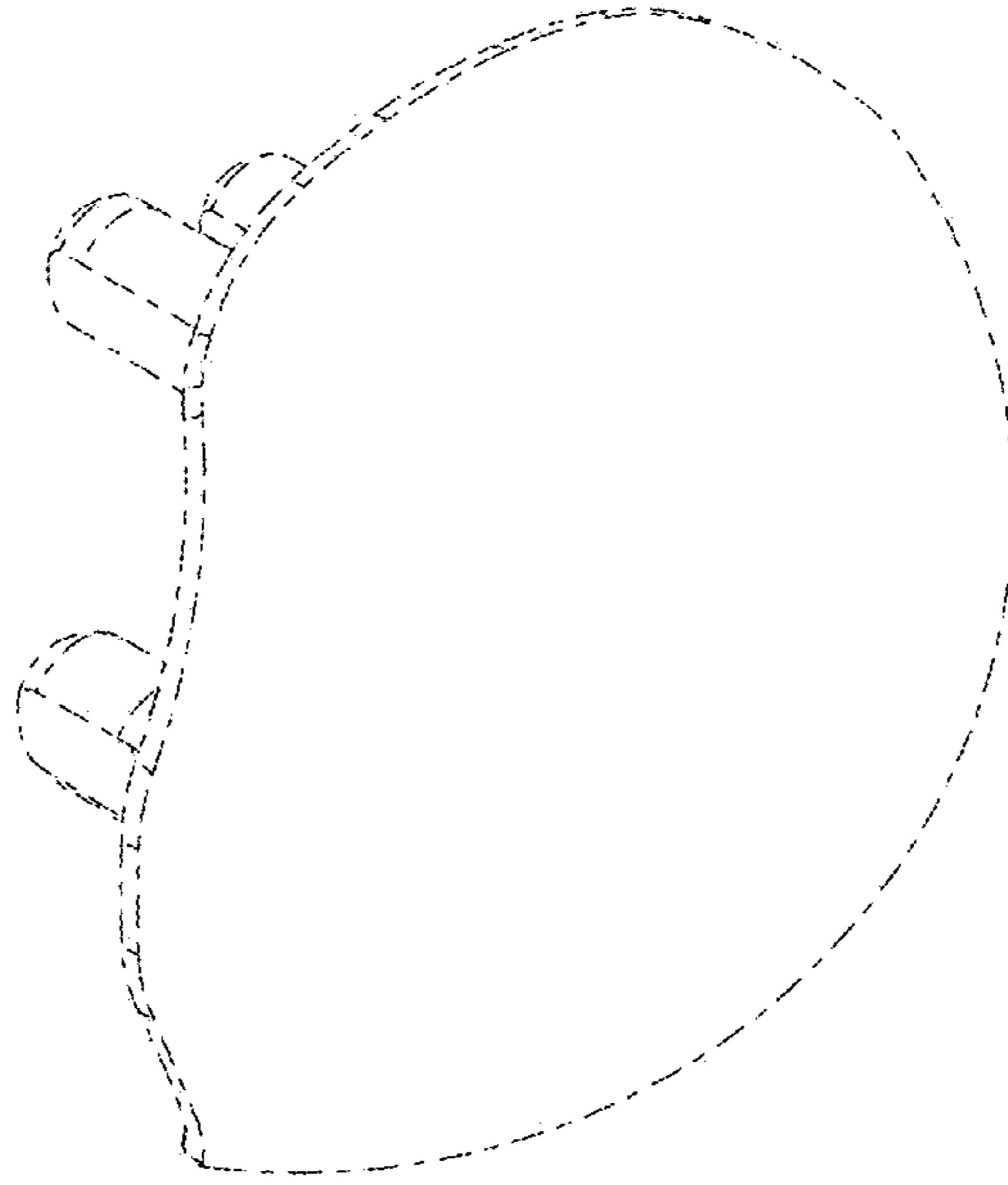


FIG. 1

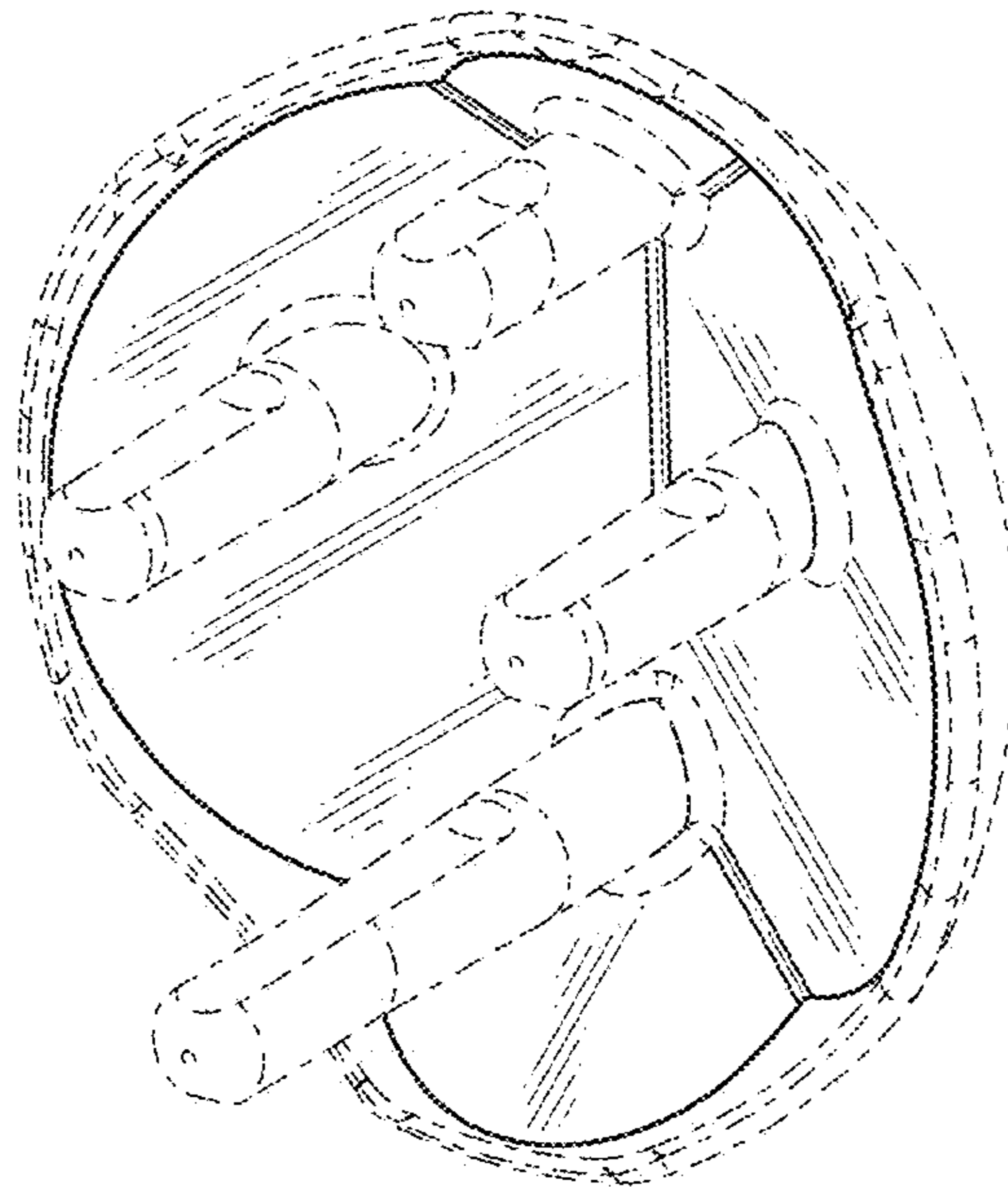


FIG. 2

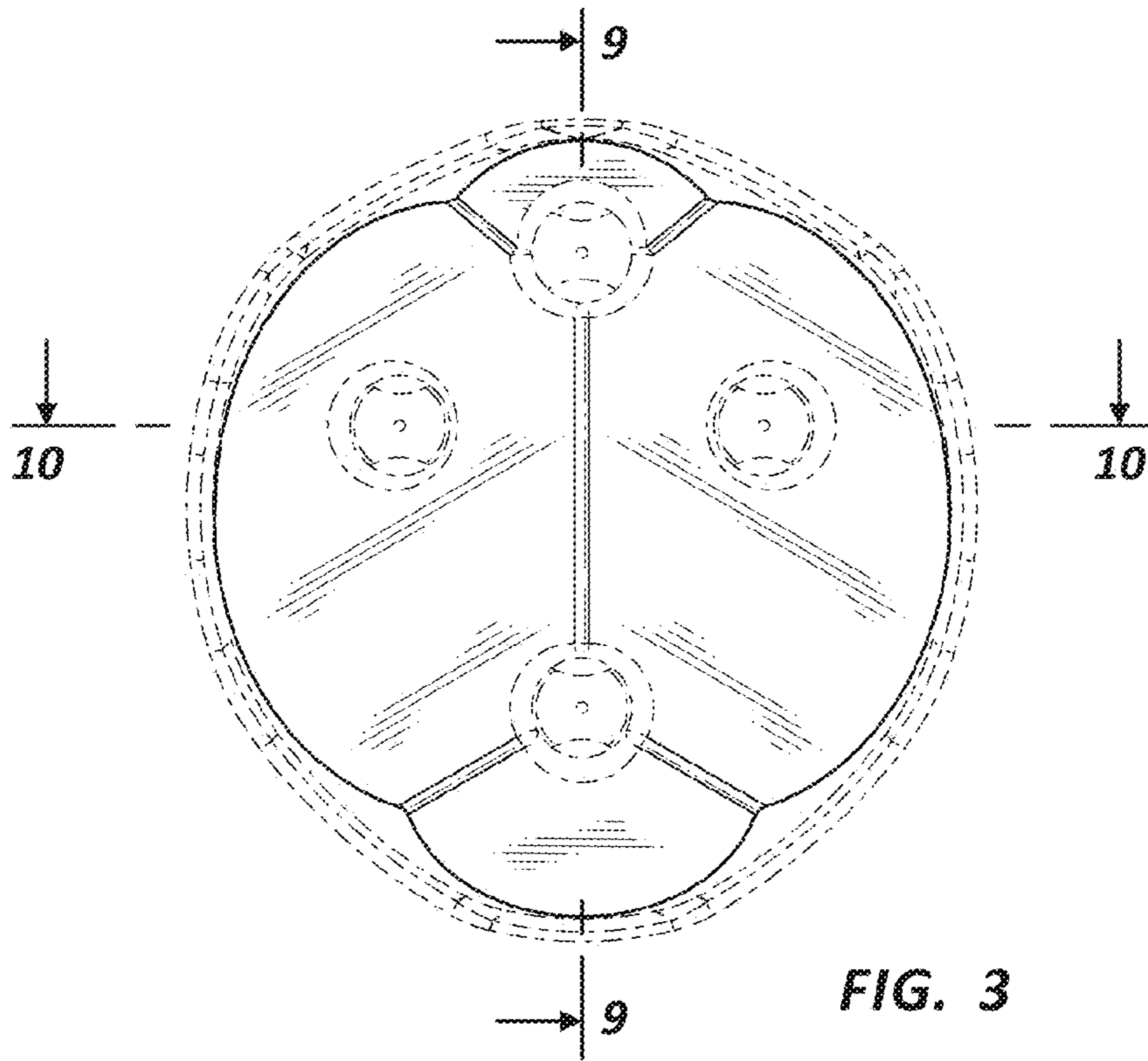


FIG. 3

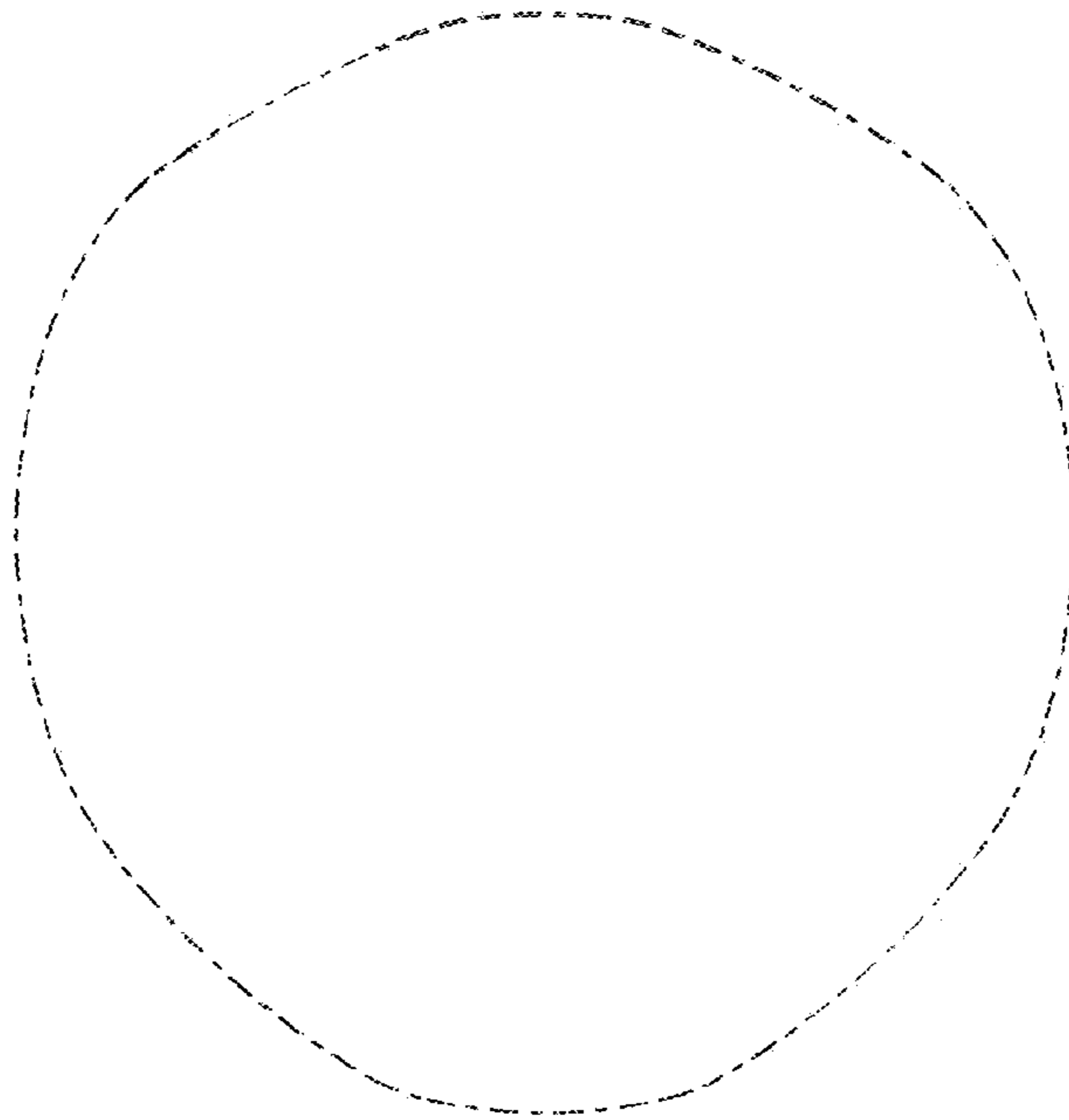


FIG. 4

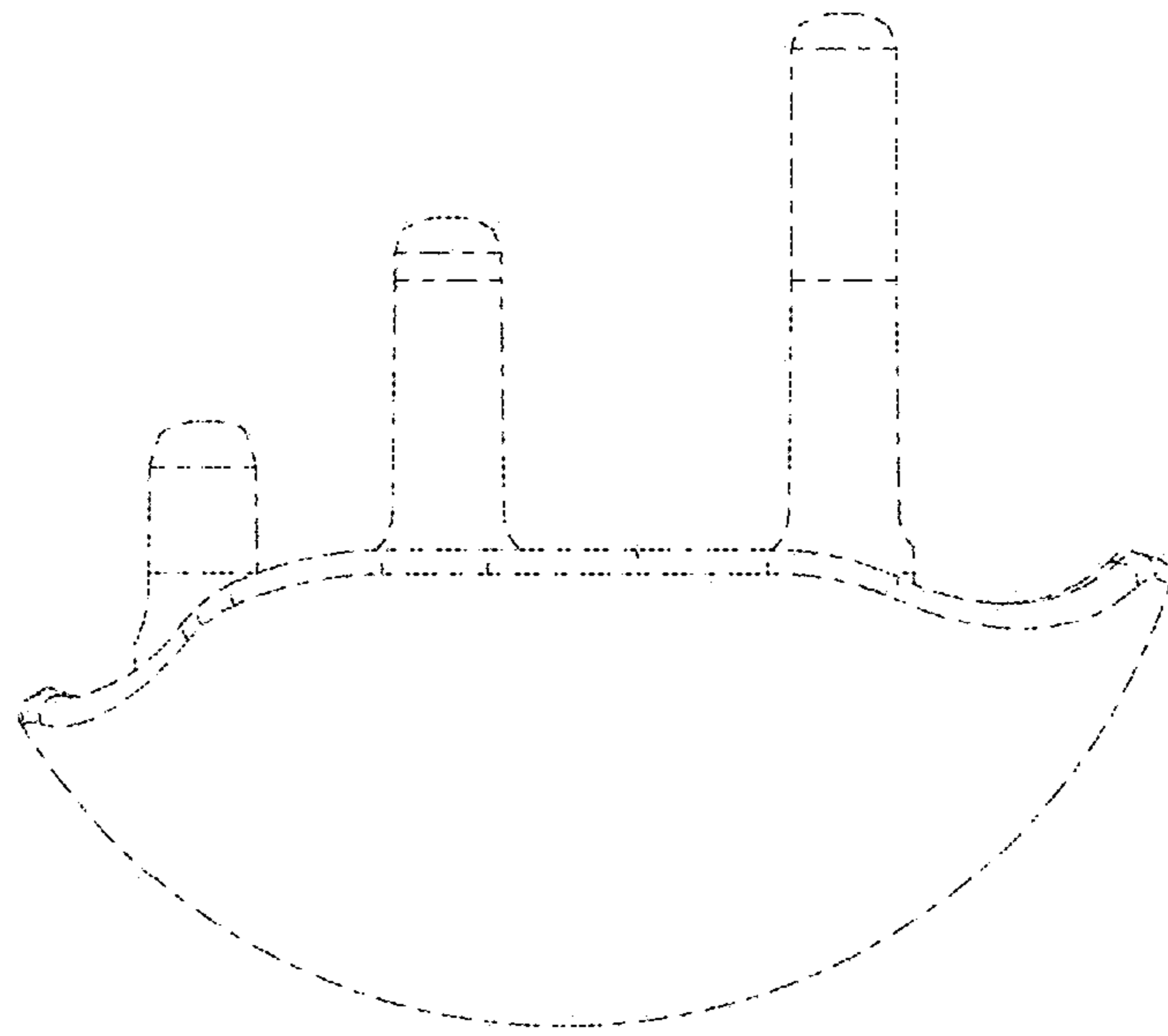


FIG. 5

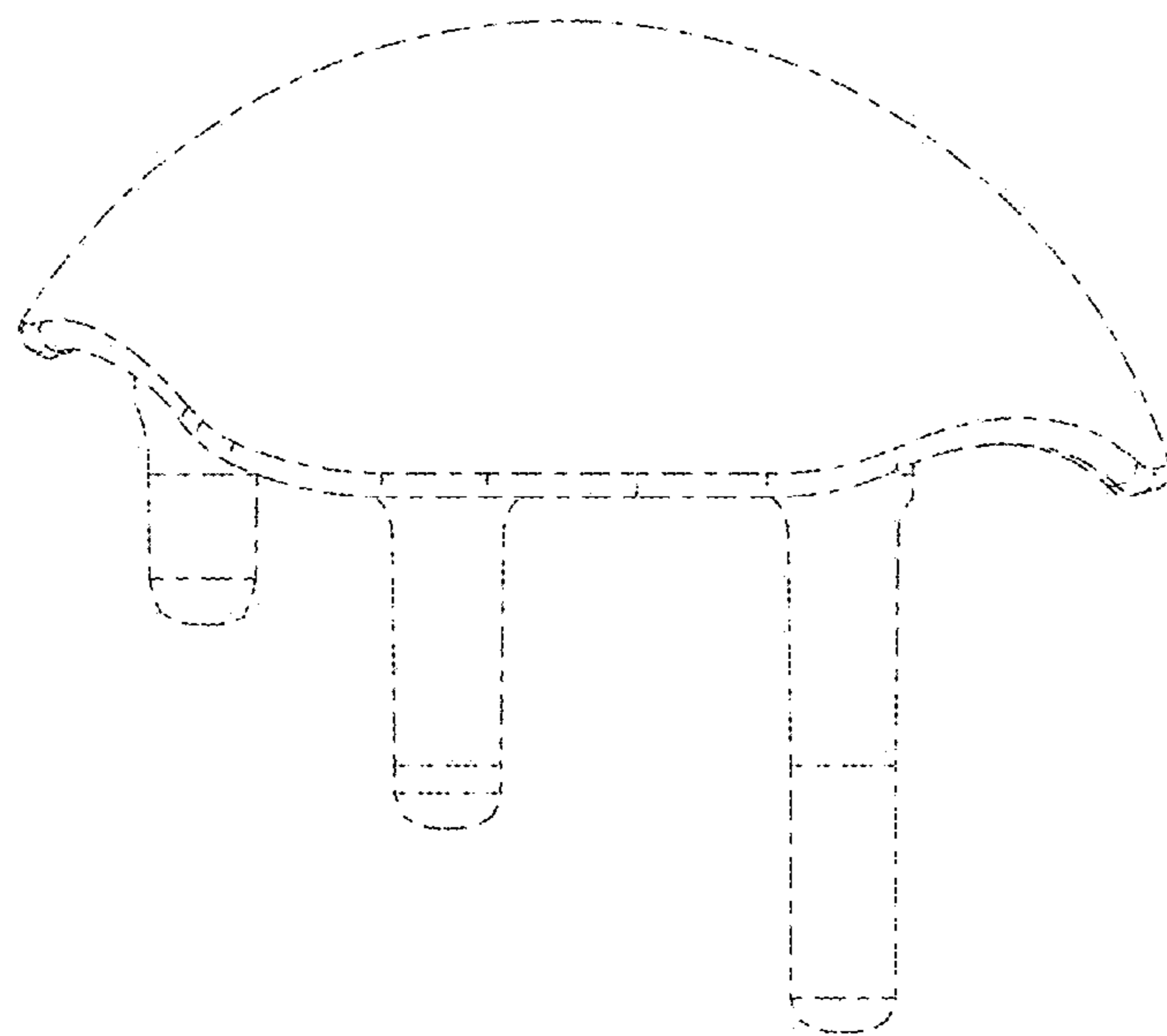


FIG. 6

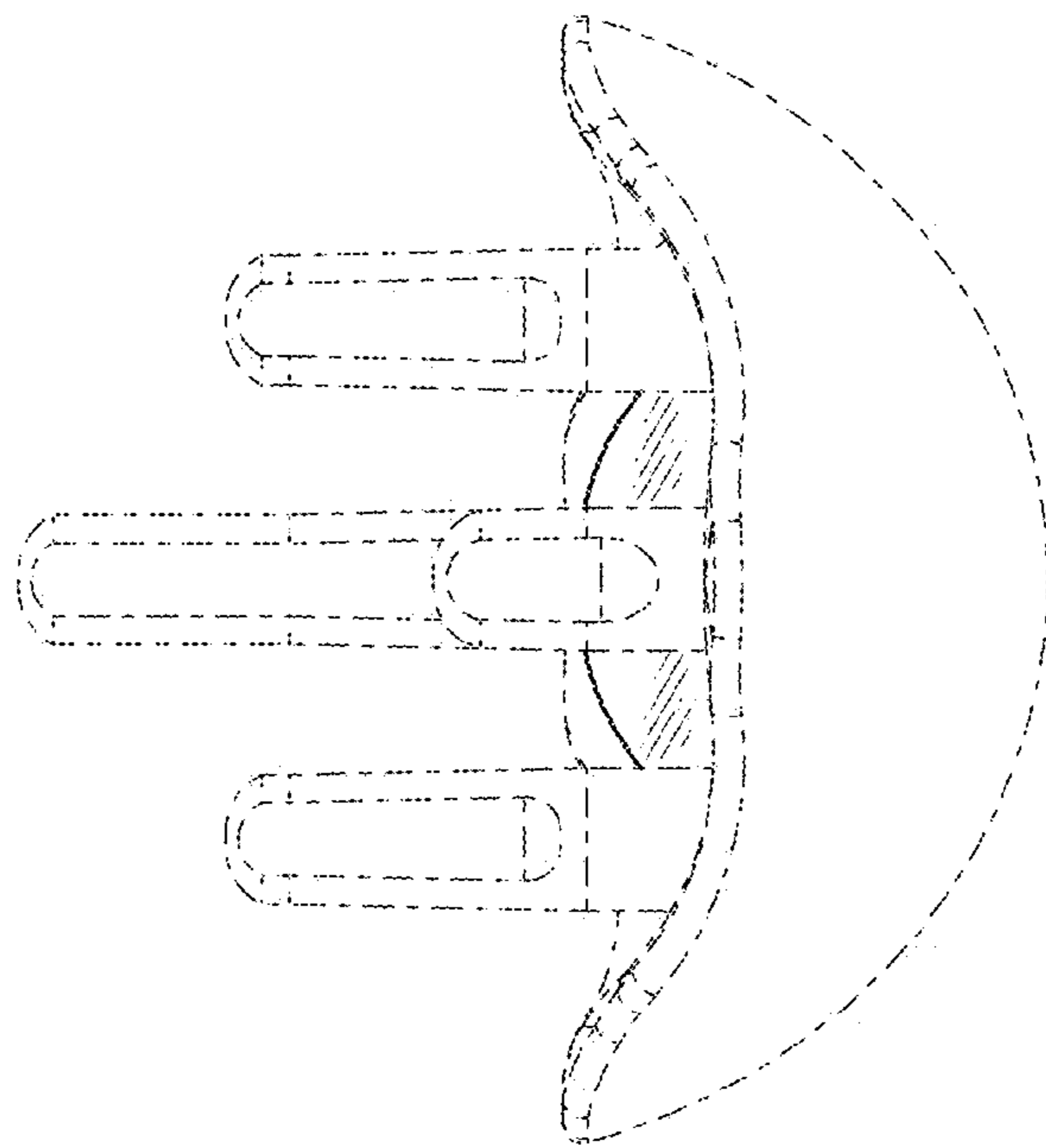


FIG. 7

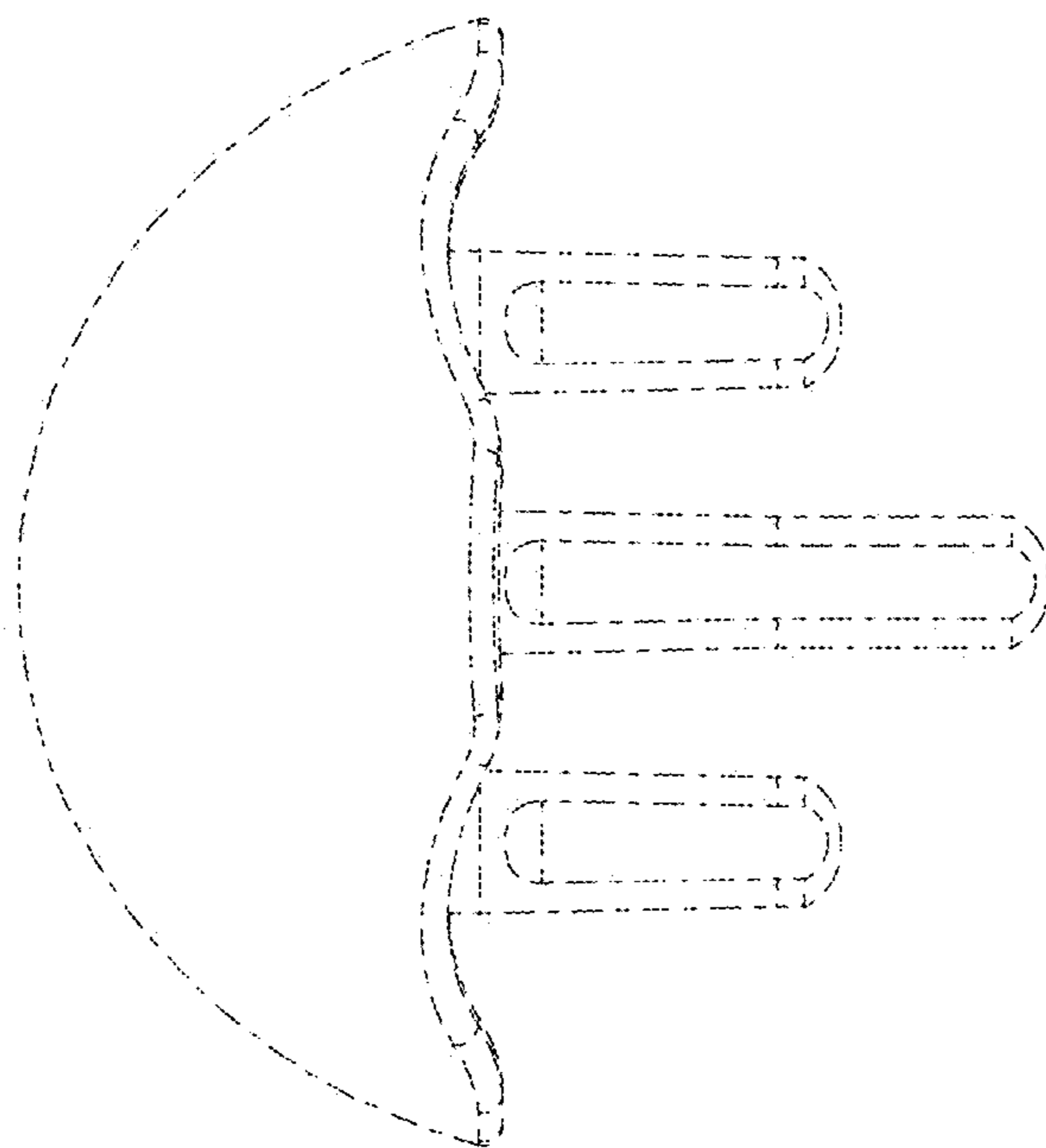


FIG. 8

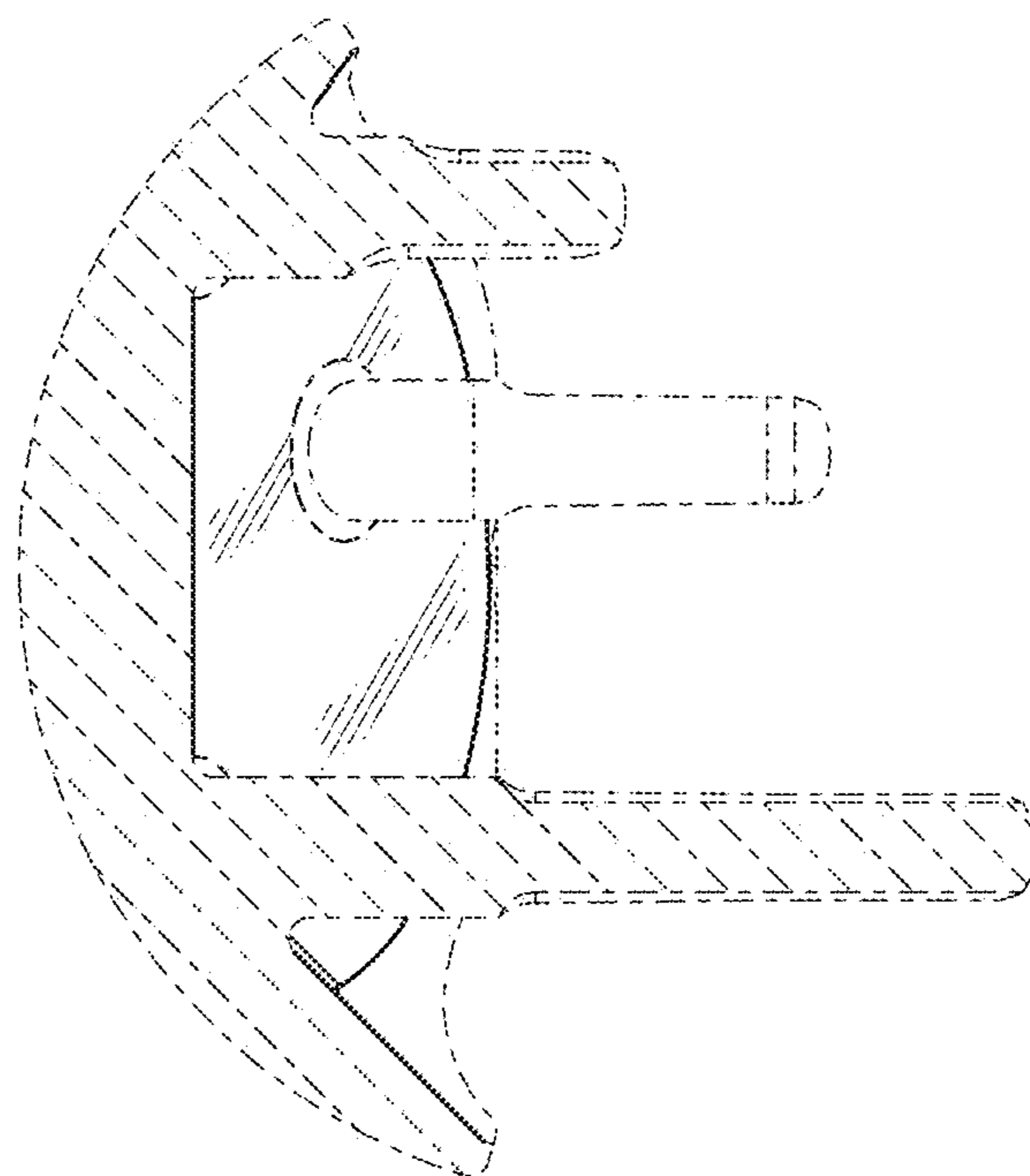


FIG. 9

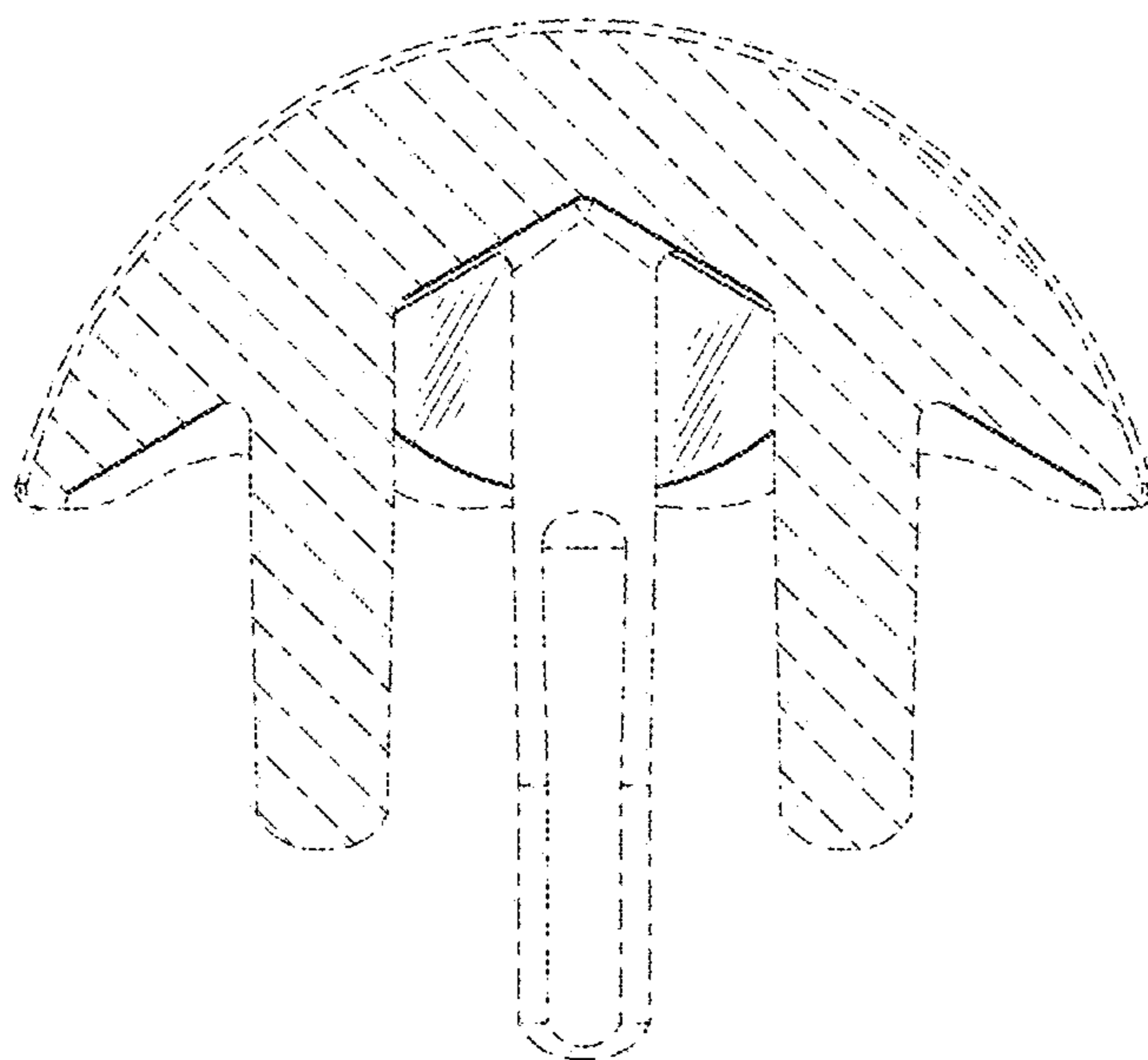


FIG. 10