



US00D746987S

(12) **United States Design Patent**
Okuda et al.

(10) **Patent No.:** **US D746,987 S**
(45) **Date of Patent:** **** Jan. 5, 2016**

(54) **BIOLOGICAL INFORMATION DETECTION DEVICE**

(71) Applicant: **SEIKO INSTRUMENTS INC.**,
Chiba-shi, Chiba (JP)

(72) Inventors: **Hideki Okuda**, Chiba (JP); **Teruo Kato**,
Chiba (JP); **Dai Terasawa**, Chiba (JP)

(73) Assignee: **SEIKO INSTRUMENTS INC.** (JP)

(**) Term: **14 Years**

(21) Appl. No.: **29/488,657**

(22) Filed: **Apr. 22, 2014**

(30) **Foreign Application Priority Data**

Oct. 29, 2013 (JP) 2013-025167

(51) **LOC (10) Cl.** **24-01**

(52) **U.S. Cl.**
USPC **D24/167**

(58) **Field of Classification Search**

USPC D24/165–168, 186, 187, 107; D10/70,
D10/98, 30–32, 38; 600/301, 382–384, 386,
600/390, 483, 500–503, 508, 509, 513;
128/DIG. 15; D11/4, 5
CPC A61B 5/6803; A61B 5/681; A61B 5/6824;
A61B 5/6825; A61B 5/024; A61B 5/02405;
A61B 5/02438

See application file for complete search history.

(56) **References Cited**

U.S. PATENT DOCUMENTS

D285,422 S * 9/1986 Grimes D11/4
D452,006 S * 12/2001 Komulainen D24/167

D571,249 S * 6/2008 Frederick et al. D11/4
D598,301 S * 8/2009 Moritz D10/32
D680,651 S * 4/2013 Lumme et al. D24/167
D709,476 S * 7/2014 Park et al. D10/32
D718,866 S * 12/2014 Law D24/167
D719,264 S * 12/2014 Law D24/167
D720,074 S * 12/2014 Suvilaakso et al. D24/167
2006/0058695 A1 * 3/2006 Chen 600/509

* cited by examiner

Primary Examiner — Anhdao Doan

(74) *Attorney, Agent, or Firm* — Adams & Wilks

(57) **CLAIM**

The ornamental design for biological information detection device, as shown and described.

DESCRIPTION

FIG. 1 is a front perspective view of a biological information detection device showing our new design;

FIG. 2 is a front view thereof;

FIG. 3 is a rear view thereof;

FIG. 4 is a right side view thereof;

FIG. 5 is a top plan view thereof;

FIG. 6 is a partial enlarged front view of a portion defined by lines 6-6 shown in FIG. 2;

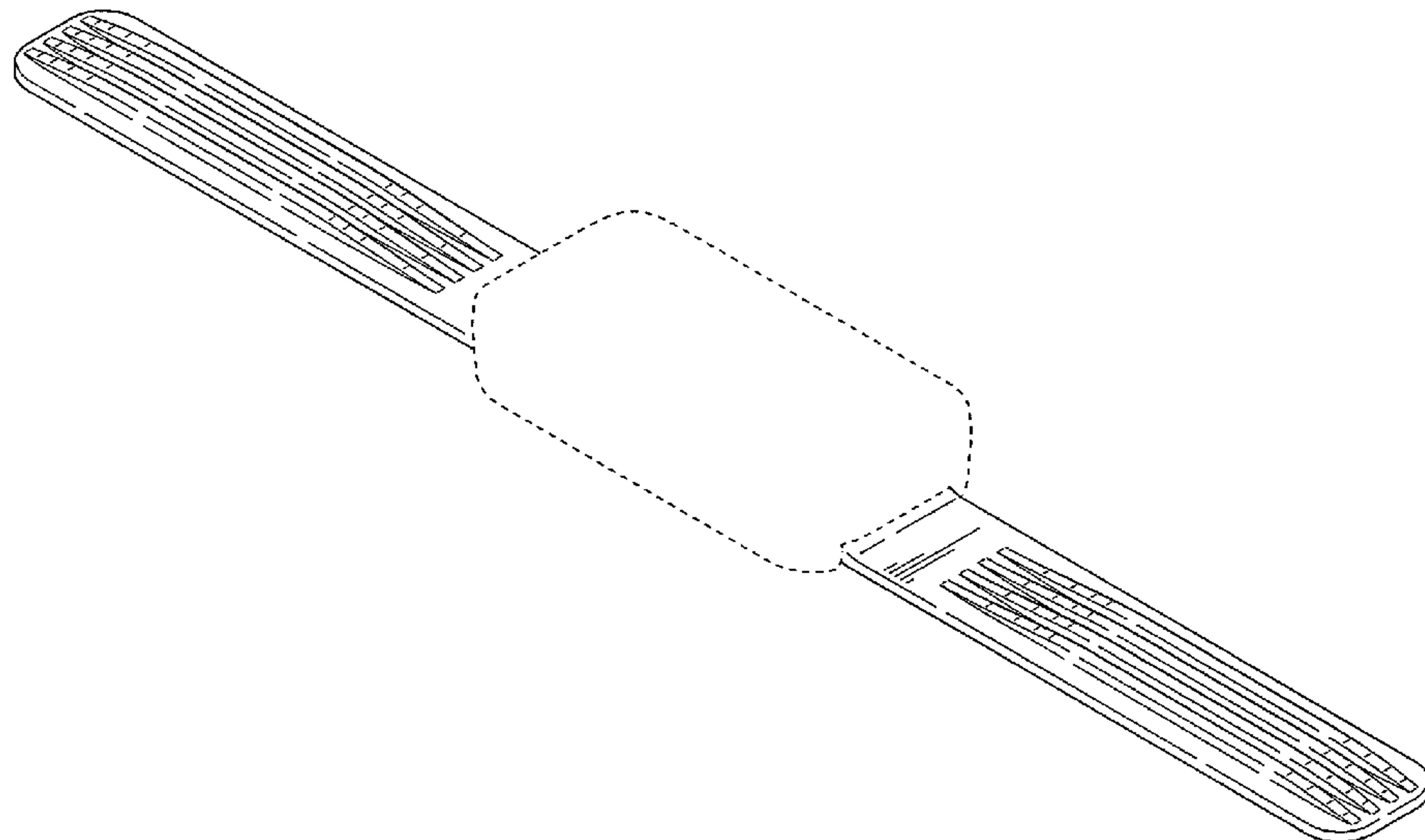
FIG. 7 is a partial enlarged rear view of a portion defined by lines 7-7 shown in FIG. 3; and,

FIG. 8 is a sectional view taken along lines 8-8 shown in FIG. 7, where an internal structure is omitted.

A left side view appears to be symmetric with the right side view and is omitted, and a bottom view appears to be symmetric with the top plan view and is omitted.

The broken lines represent the portions of the design that form no part of the claim.

1 Claim, 5 Drawing Sheets



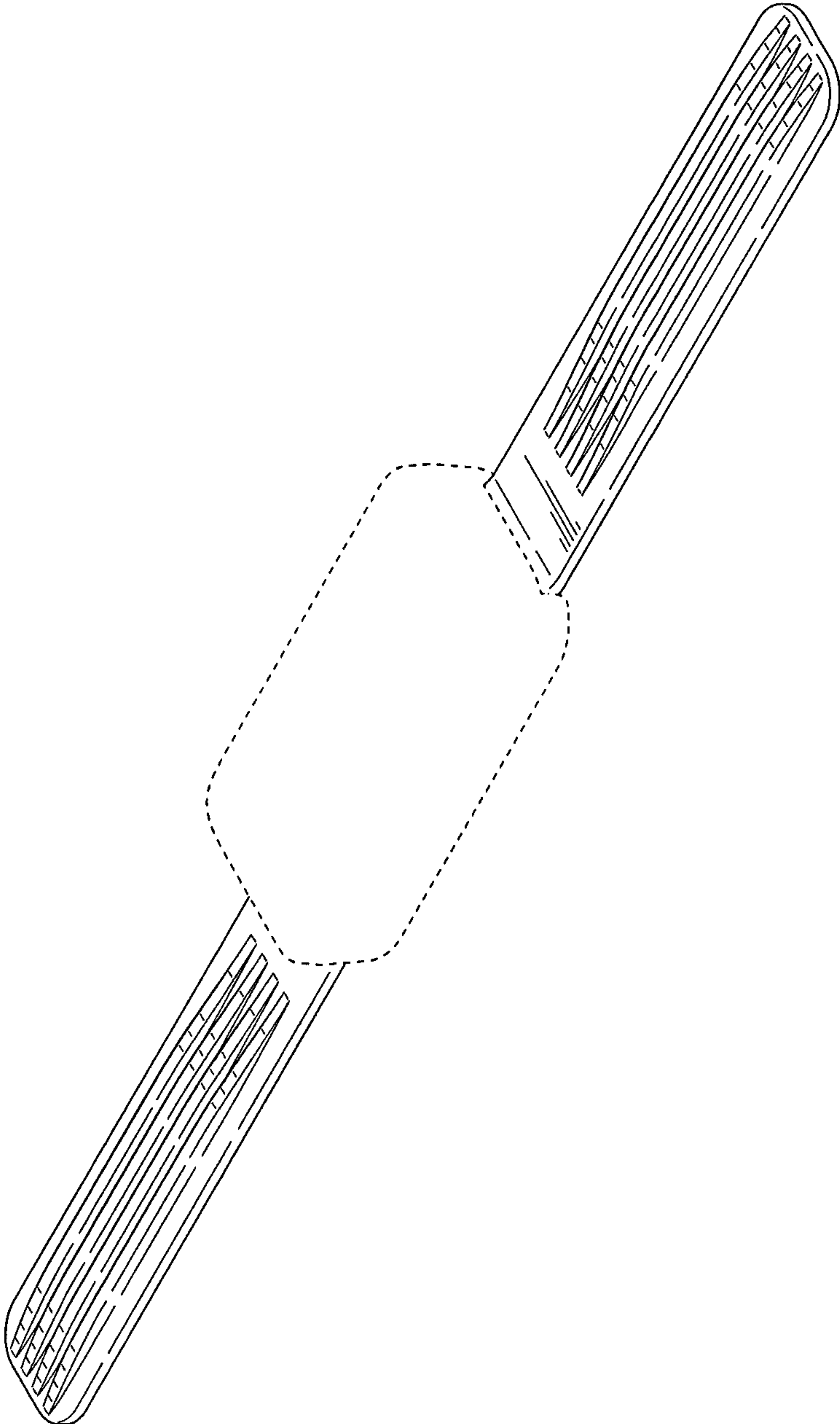


FIG. 1

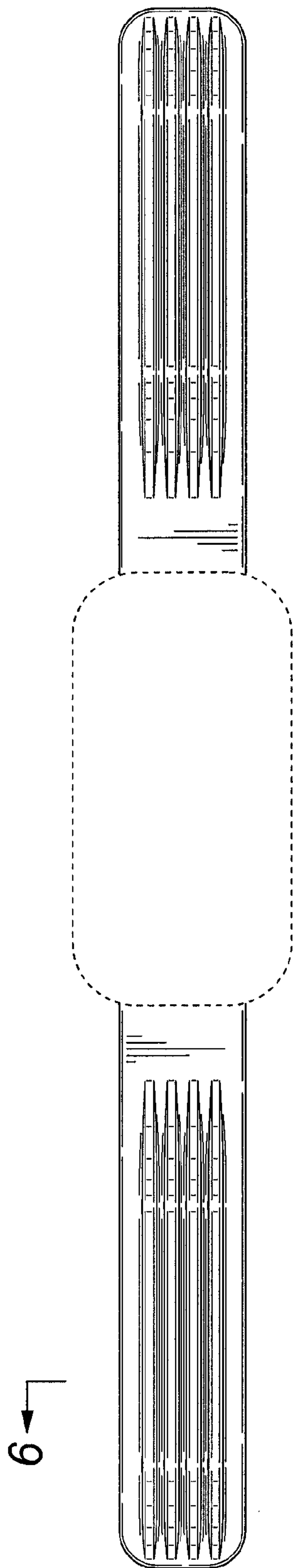


FIG. 2

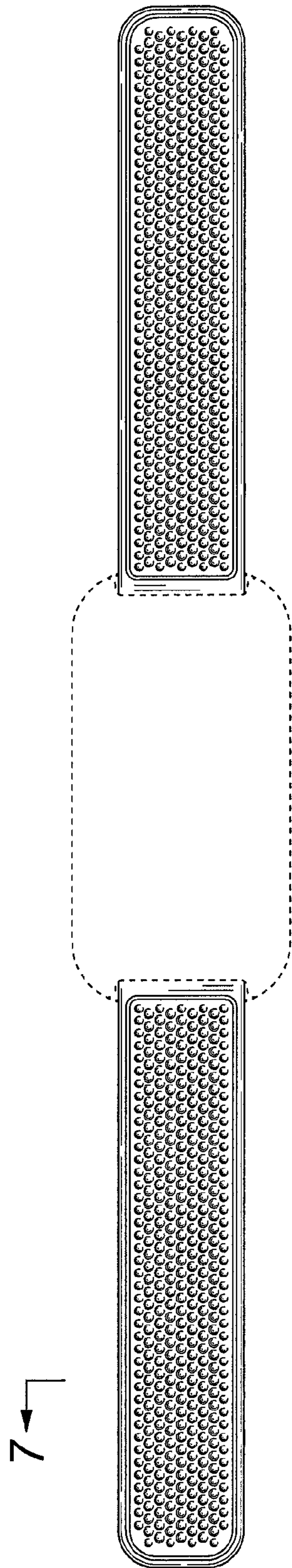


FIG. 3

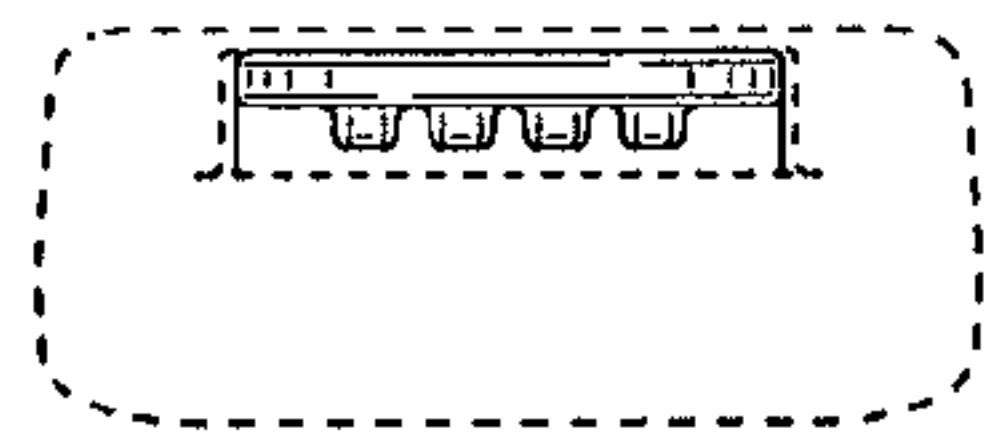


FIG. 4

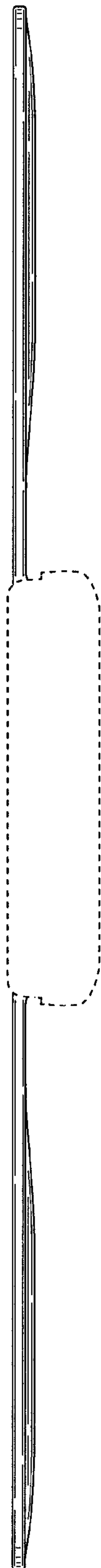


FIG. 5

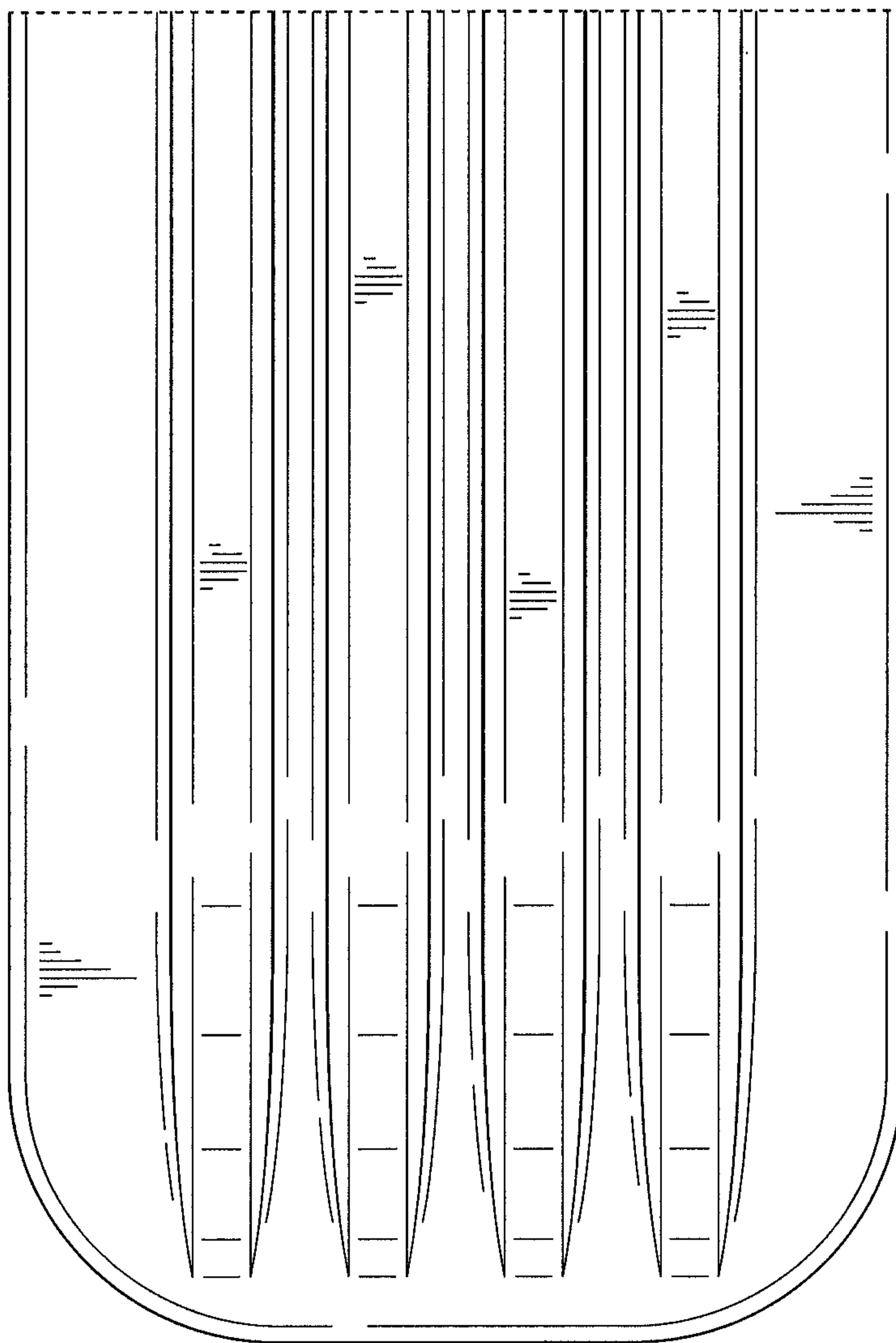


FIG. 6

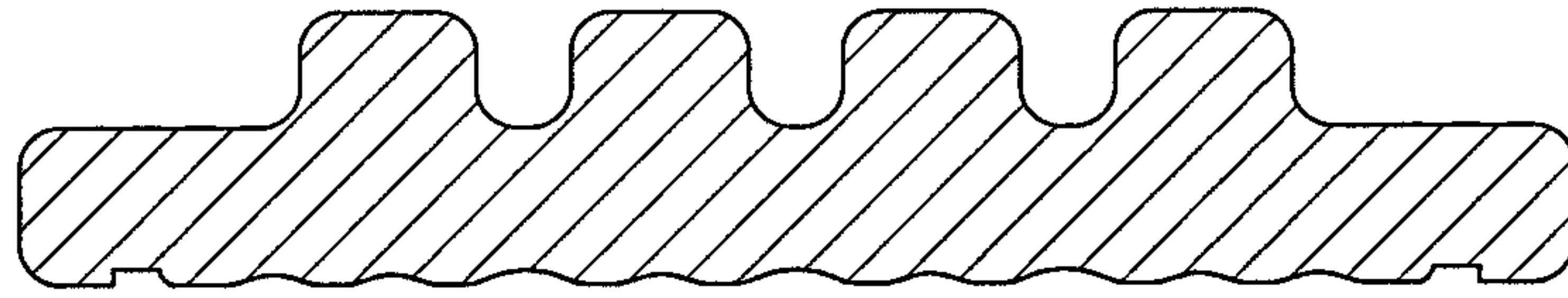


FIG. 8

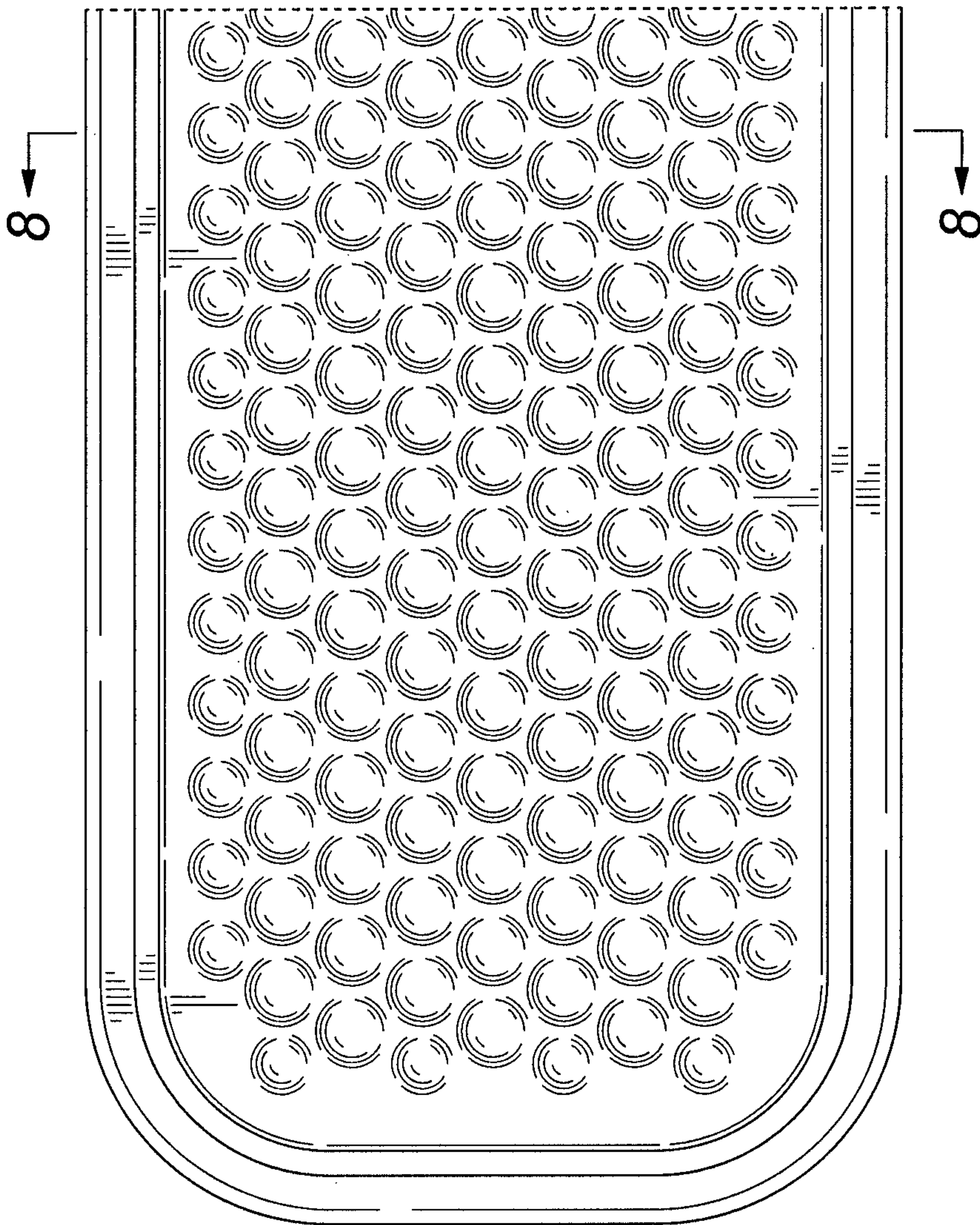


FIG. 7