



US00D746986S

(12) **United States Design Patent**
Marteau et al.

(10) **Patent No.:** **US D746,986 S**
(45) **Date of Patent:** **** *Jan. 5, 2016**

(54) **MEDICAL IMAGING SYSTEM**

(75) Inventors: **Jean-Michel Marteau**, Le Plessis-Robinson (FR); **Lionel Wodecki**, Buc (FR); **Ludovic Avot**, Buc (FR)

(73) Assignee: **General Electronic Company**, Schenectady, NY (US)

(*) Notice: This patent is subject to a terminal disclaimer.

(**) Term: **14 Years**

(21) Appl. No.: **29/407,165**

(22) Filed: **Nov. 23, 2011**

(51) **LOC (10) Cl.** **24-01**

(52) **U.S. Cl.**
USPC **D24/159**

(58) **Field of Classification Search**
USPC D24/158, 159; 378/4, 10, 19, 15, 17, 378/20, 21, 22, 23, 24, 25, 26, 27, 62, 68, 378/146, 197, 198, 194, 204
CPC A61B 6/12; A61B 6/463; A61B 6/5247; A61B 6/504; A61B 6/5235; A61B 6/4441; A61B 6/4464; A61B 6/4423; A61B 6/466
See application file for complete search history.

(56) **References Cited**

U.S. PATENT DOCUMENTS

6,119,034	A *	9/2000	Herrmann et al.	600/427
6,309,102	B1 *	10/2001	Stenfors	378/197
6,379,040	B1 *	4/2002	Hallman et al.	378/197
6,382,833	B2 *	5/2002	Leandersson et al.	378/197
2002/0118793	A1 *	8/2002	Horbaschek	378/197
2004/0042587	A1 *	3/2004	Deshpande	378/198
2004/0105524	A1 *	6/2004	Ren et al.	378/4
2007/0140437	A1 *	6/2007	Gotoh	378/197
2007/0268994	A1 *	11/2007	Chen	378/4
2007/0297574	A1 *	12/2007	Gotoh	378/196
2010/0292565	A1 *	11/2010	Meyer et al.	600/424
2011/0243309	A1 *	10/2011	Weijiang	378/197
2011/0268254	A1 *	11/2011	Peters	378/197
2012/0219122	A1 *	8/2012	Herrmann et al.	378/198

2012/0243666	A1 *	9/2012	Lenchig, Jr.	378/204
2012/0321050	A1 *	12/2012	Bouvier et al.	378/194
2013/0003939	A1 *	1/2013	Bouvier et al.	378/198
2013/0294584	A1 *	11/2013	Soto et al.	378/198

* cited by examiner

Primary Examiner — Deanna L Pratt

Assistant Examiner — Ieisha Price

(74) *Attorney, Agent, or Firm* — Dean D. Small; The Small Patent Law Group

(57) **CLAIM**

The ornamental design of a medical imaging system, as shown and described.

DESCRIPTION

FIG. 1 is a side perspective view of a medical imaging system in first operational configuration and formed in accordance with one embodiment and shown in full lines.

FIG. 2 is a front perspective view of the medical imaging system shown in FIG. 1.

FIG. 3 is a side view of the medical imaging system shown in FIG. 1.

FIG. 4 is a top perspective view of the medical imaging system shown in FIG. 1.

FIG. 5 is a top view of the medical imaging system shown in FIG. 1.

FIG. 6 is a front view of the medical imaging system shown in FIG. 1.

FIG. 7 is a rear view of the medical imaging system shown in FIG. 1.

FIG. 8 is front perspective view of a portion of the medical imaging system shown in FIG. 1.

FIG. 9 is a front perspective view of another portion of the medical imaging system shown in FIG. 1.

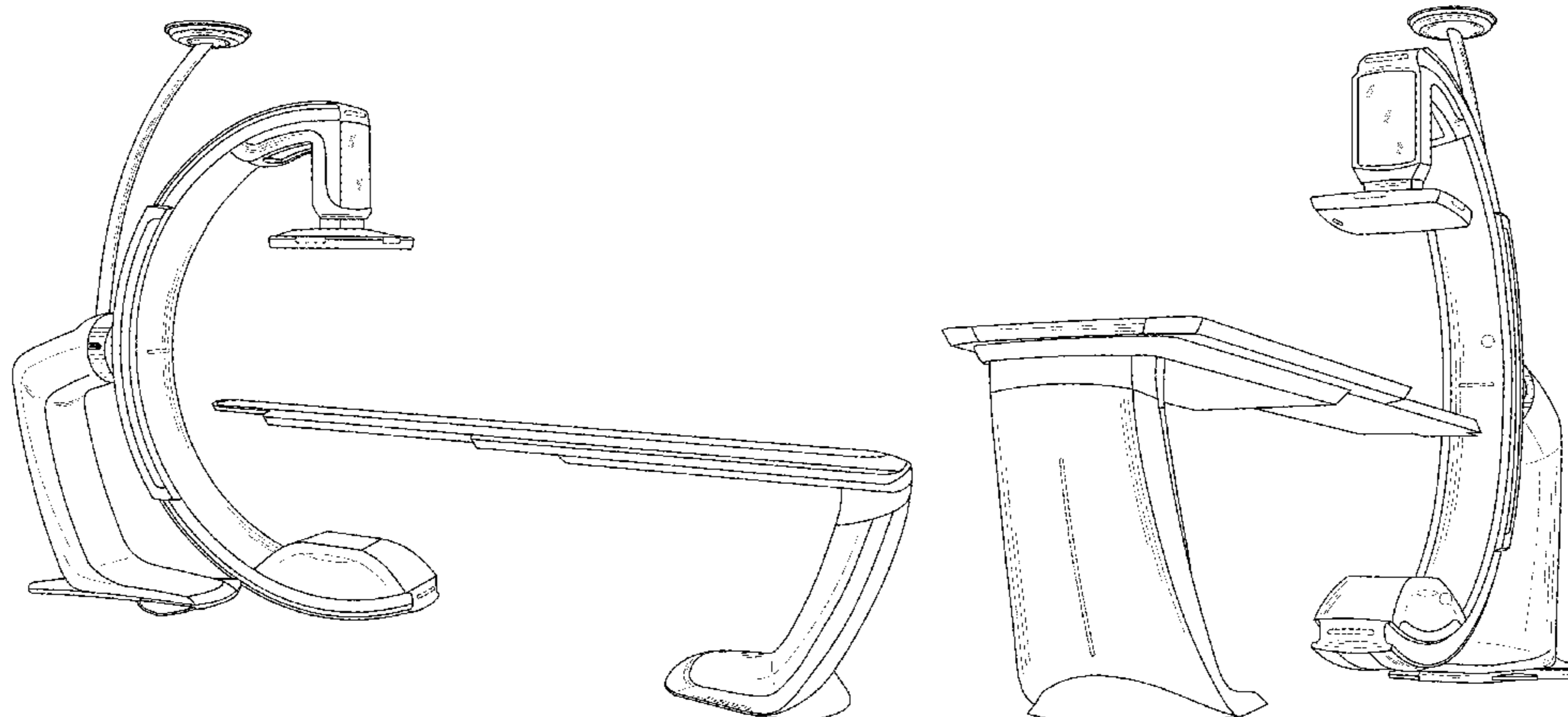
FIG. 10 is another front perspective view of still another portion of the medical imaging system shown in FIG. 1;

FIG. 11 is another front perspective view of still another portion of the medical imaging system shown in FIG. 1; and,

FIG. 12 is a side perspective view of a medical imaging system shown in FIG. 1 in a second operational configuration.

The broken lines in FIGS. 1-9 and 11-12 illustrate portions of the medical imaging system which form no part of the claimed design.

1 Claim, 12 Drawing Sheets



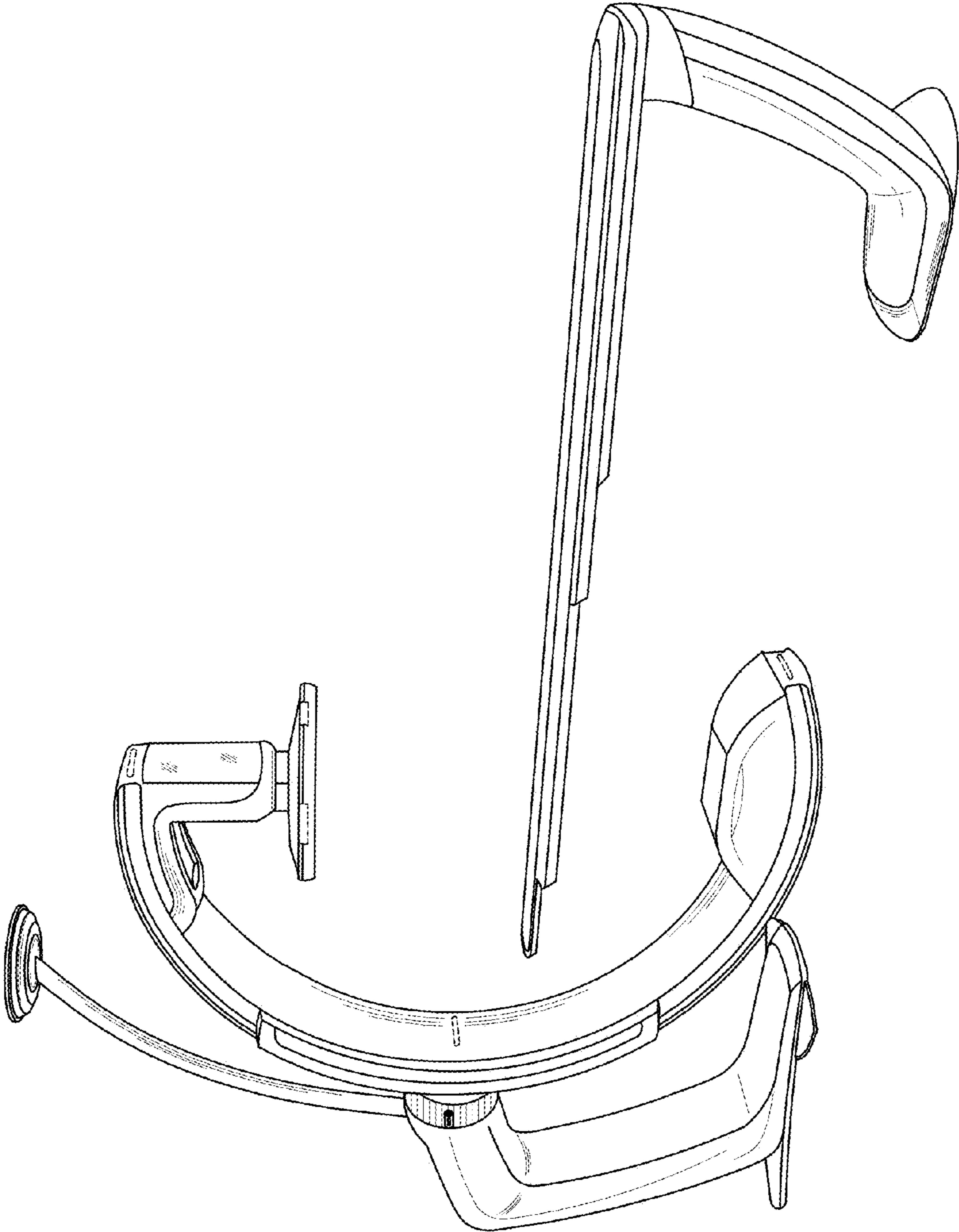


FIG. 1

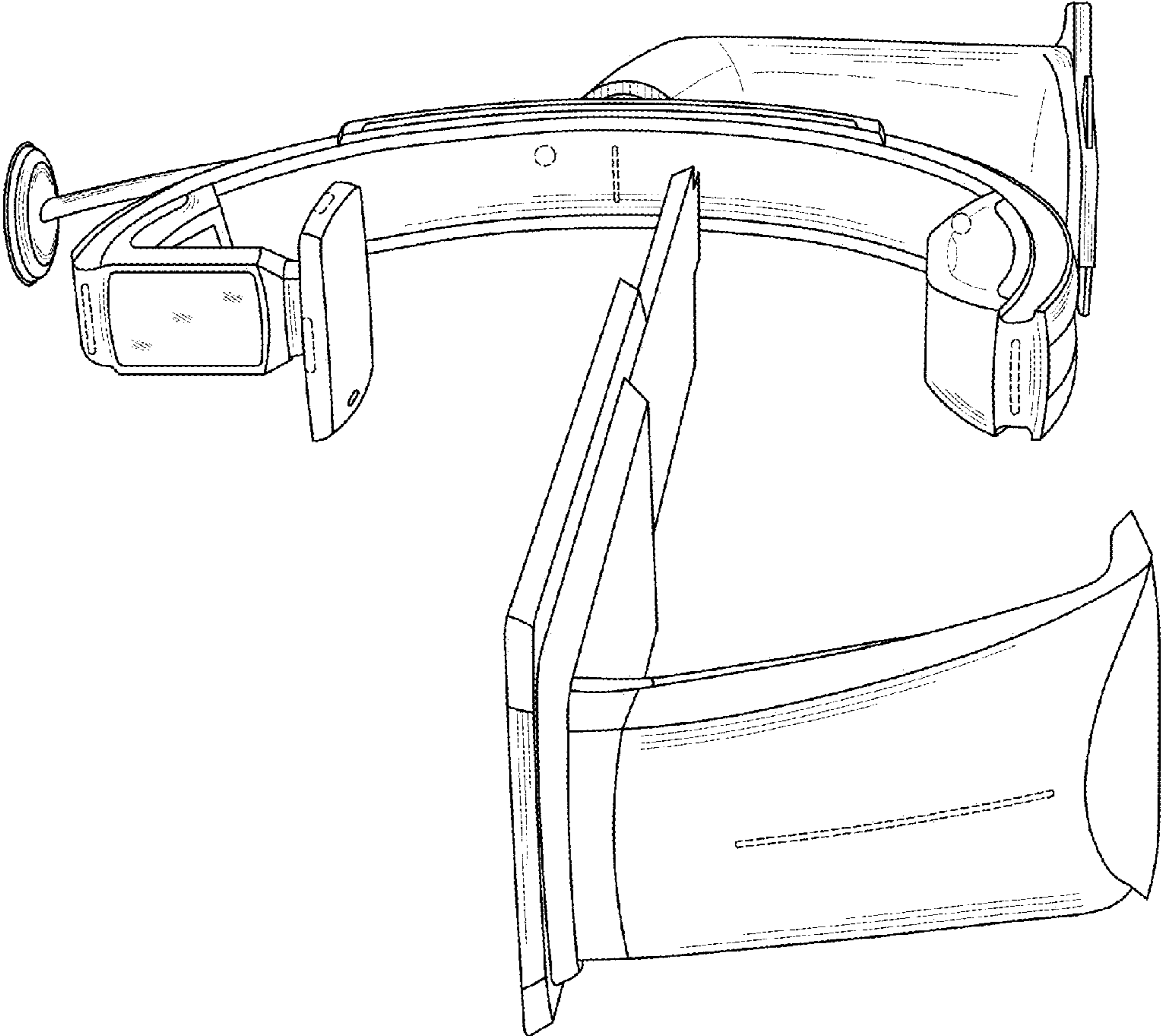


FIG. 2

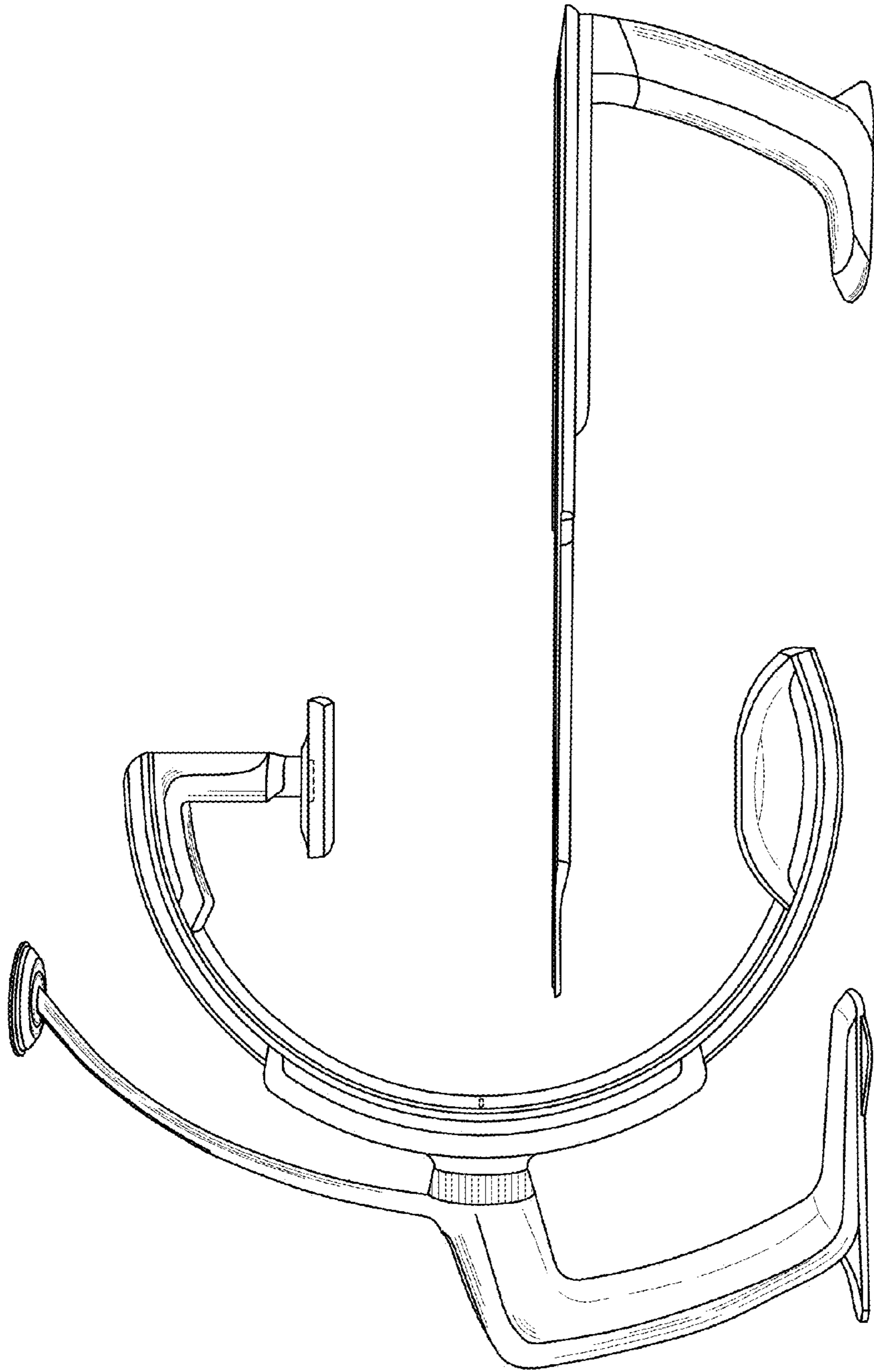


FIG. 3

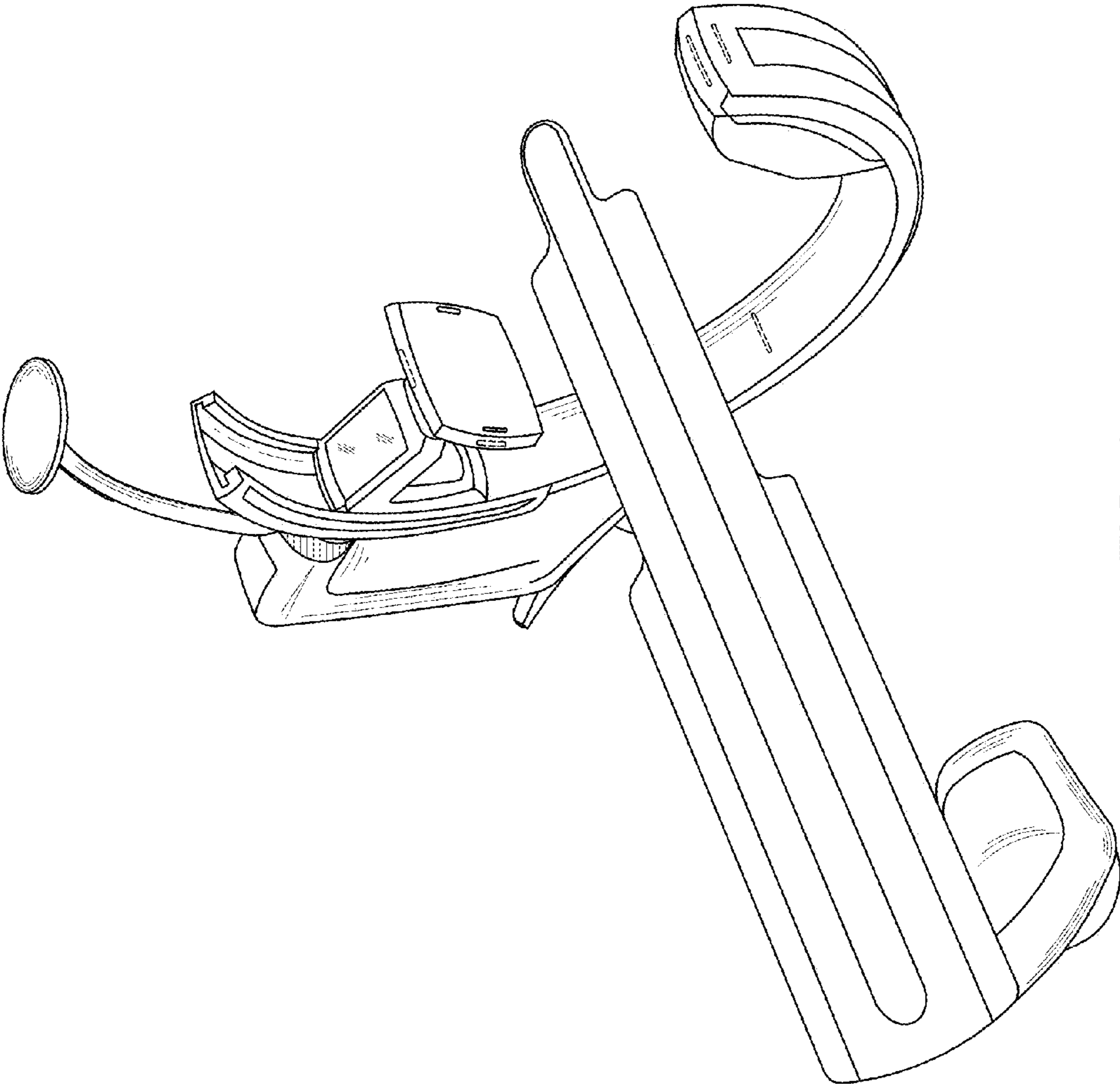


FIG. 4

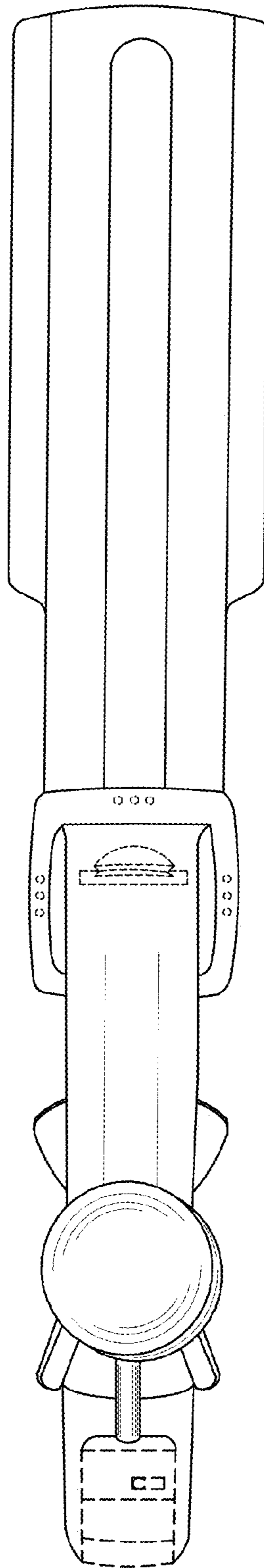


FIG. 5

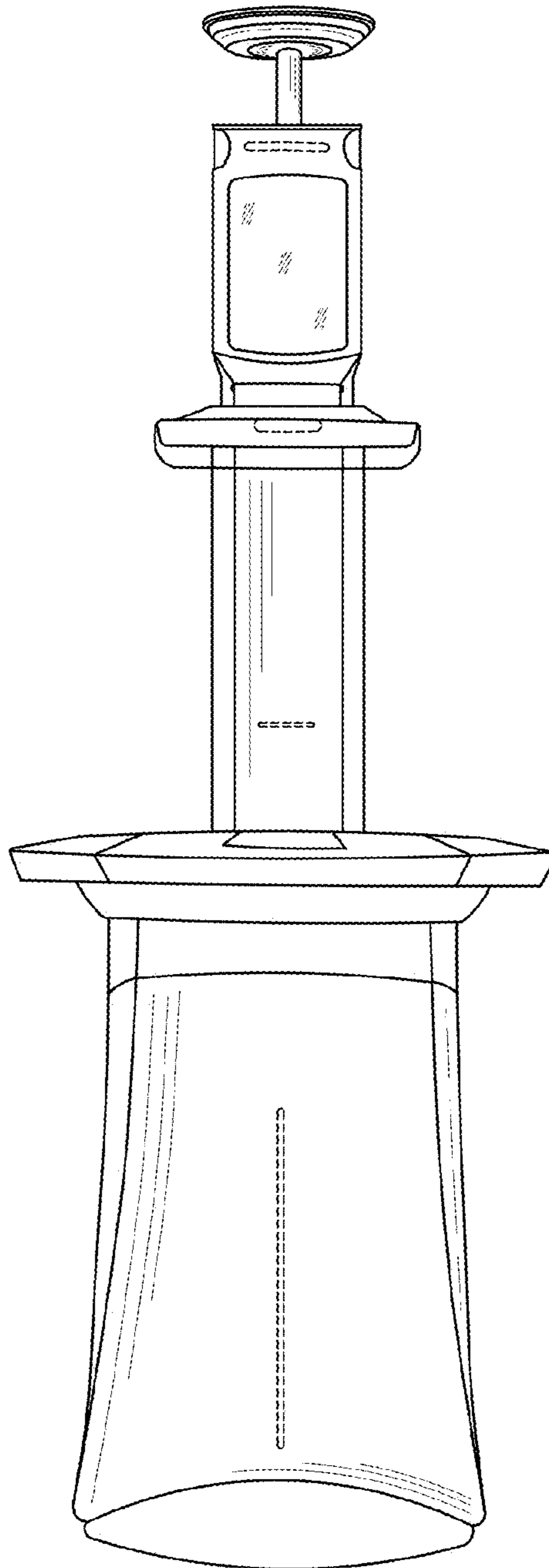


FIG. 6

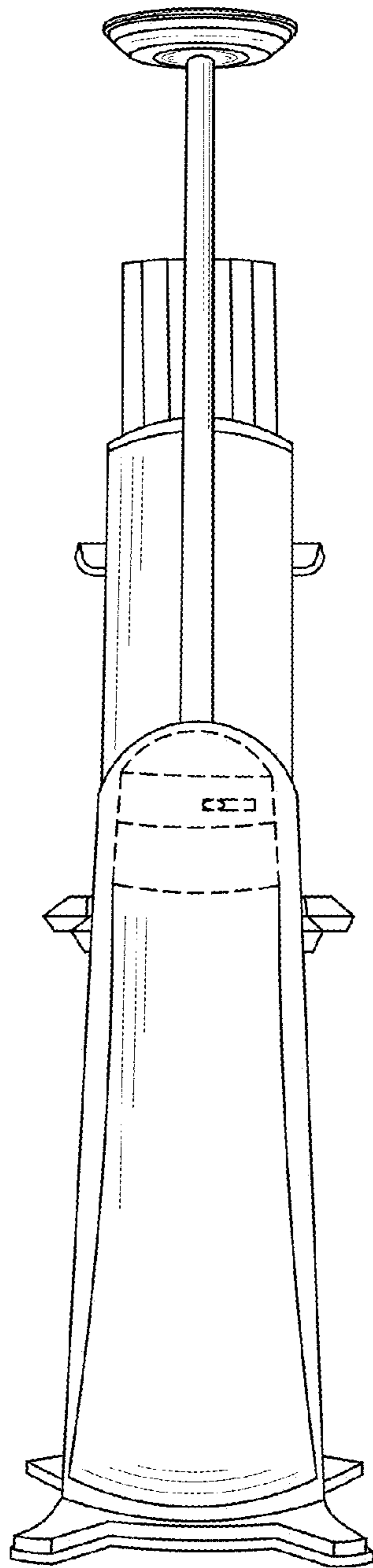


FIG. 7

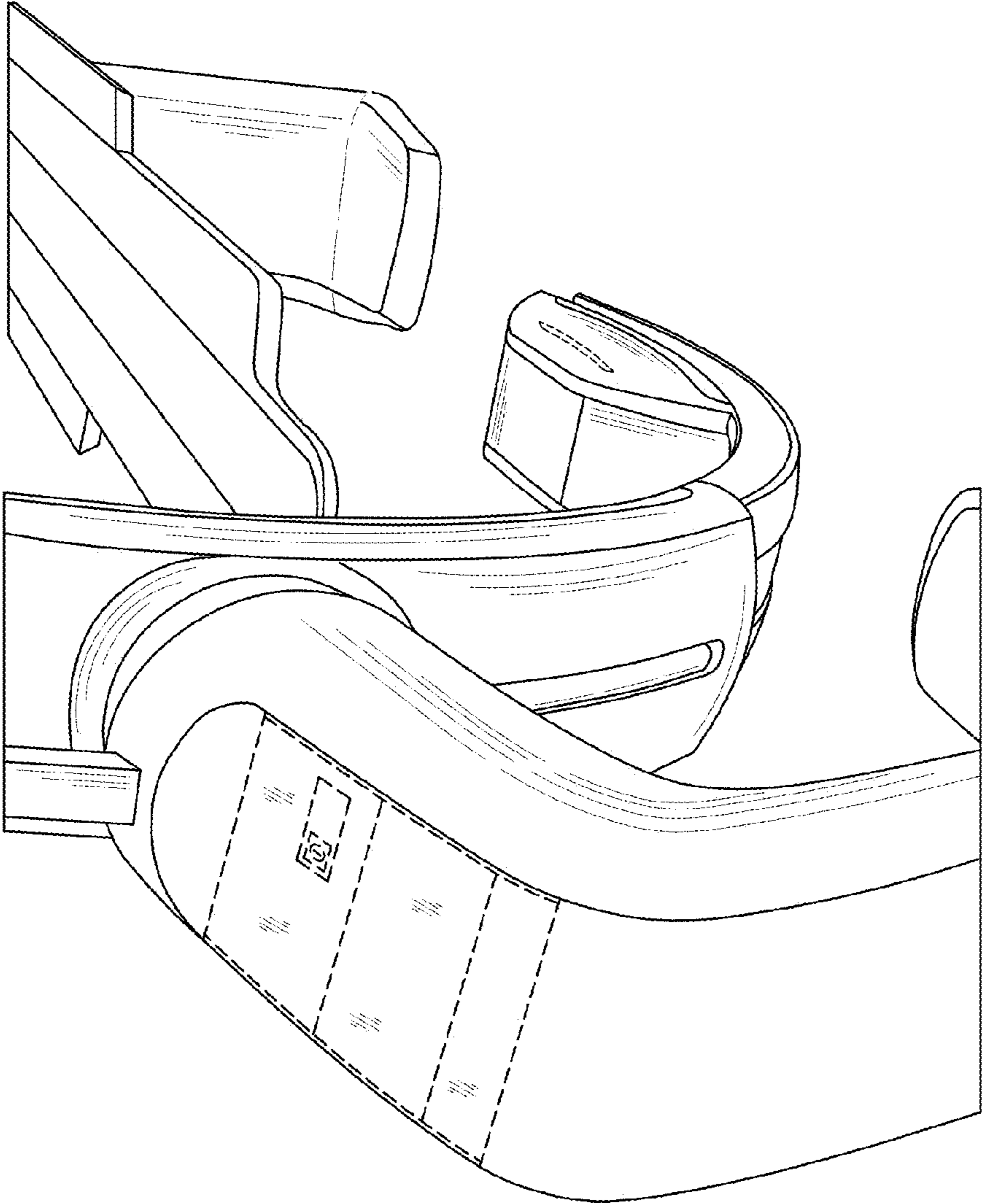


FIG. 8

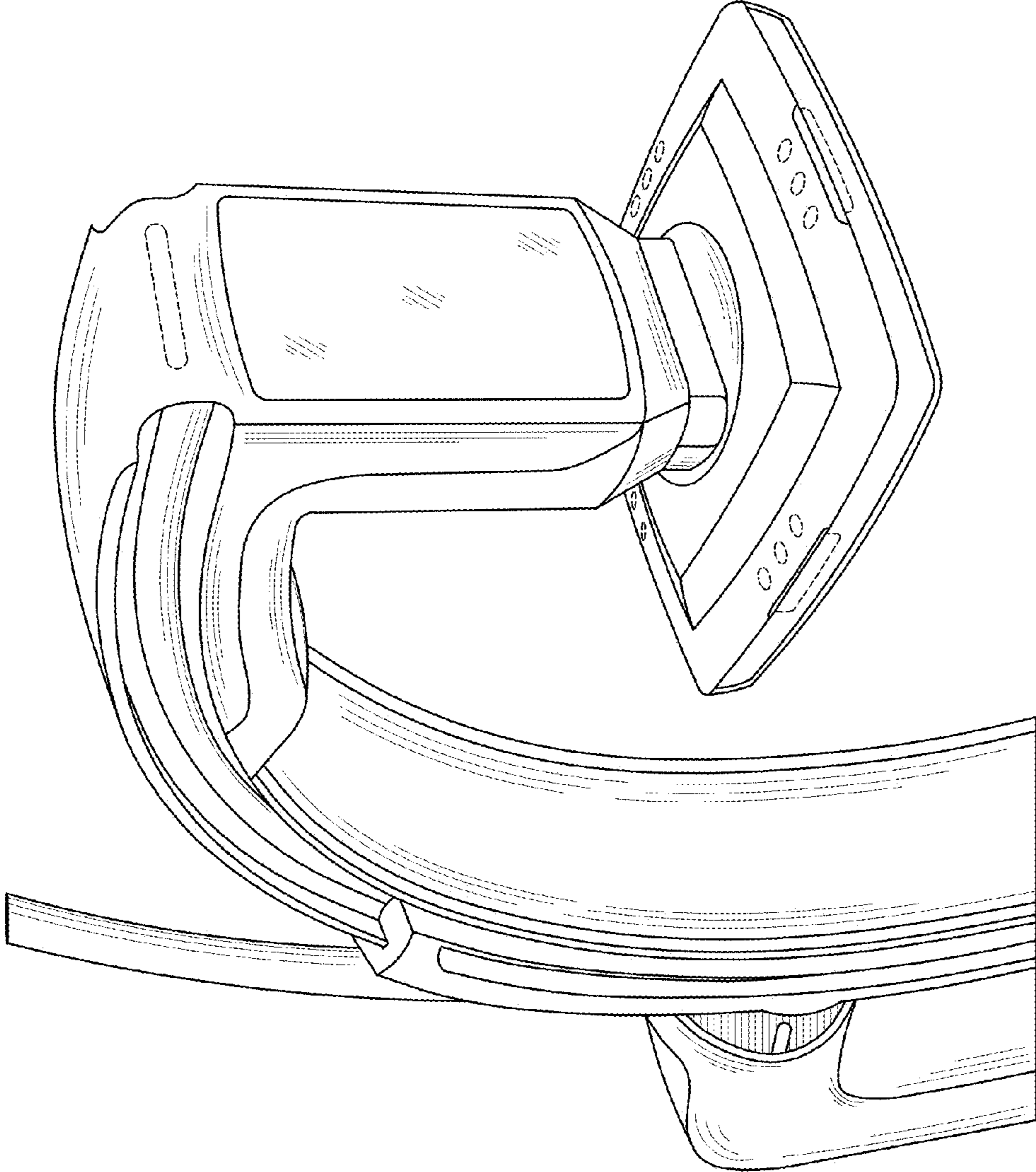


FIG. 9

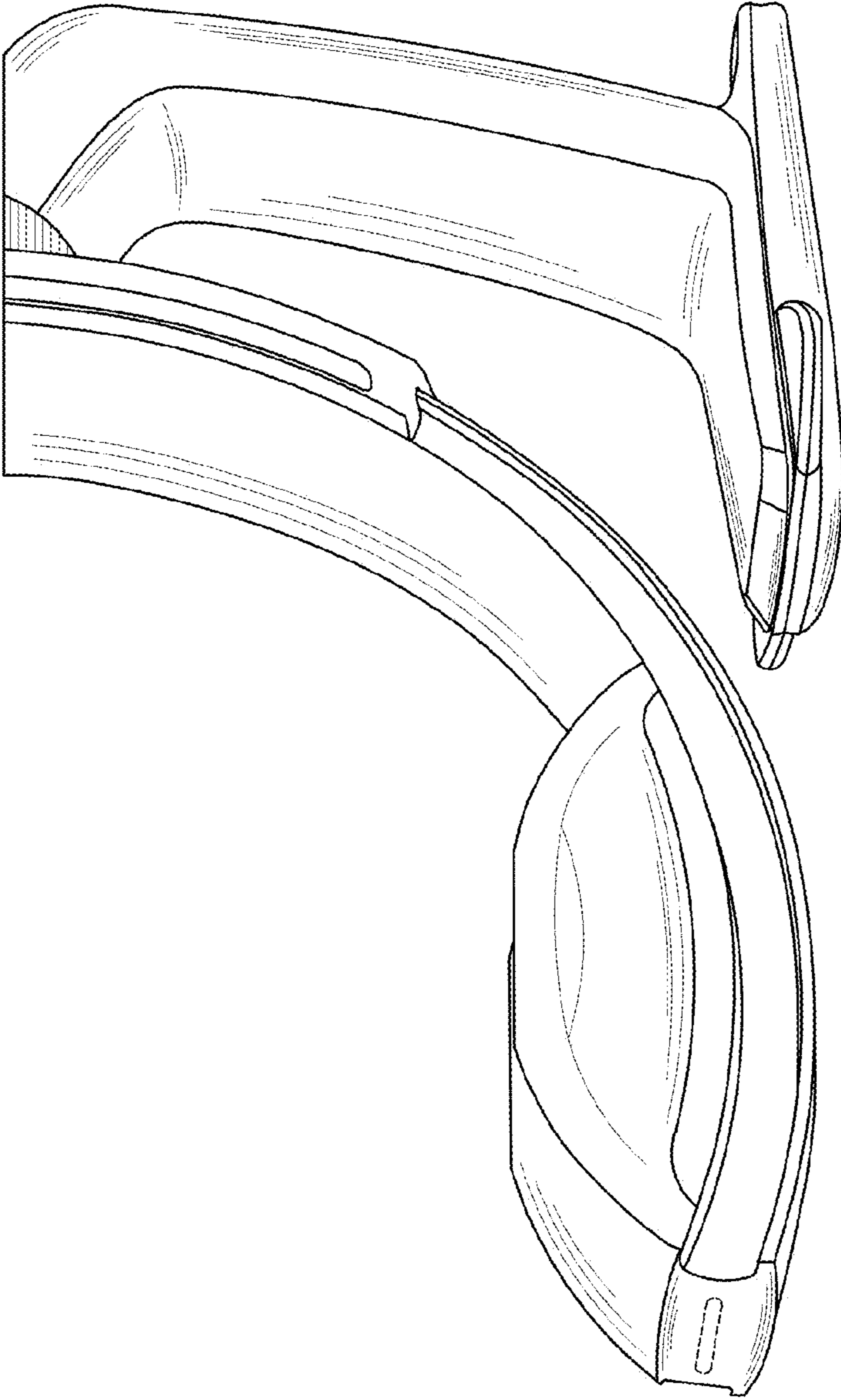


FIG. 10

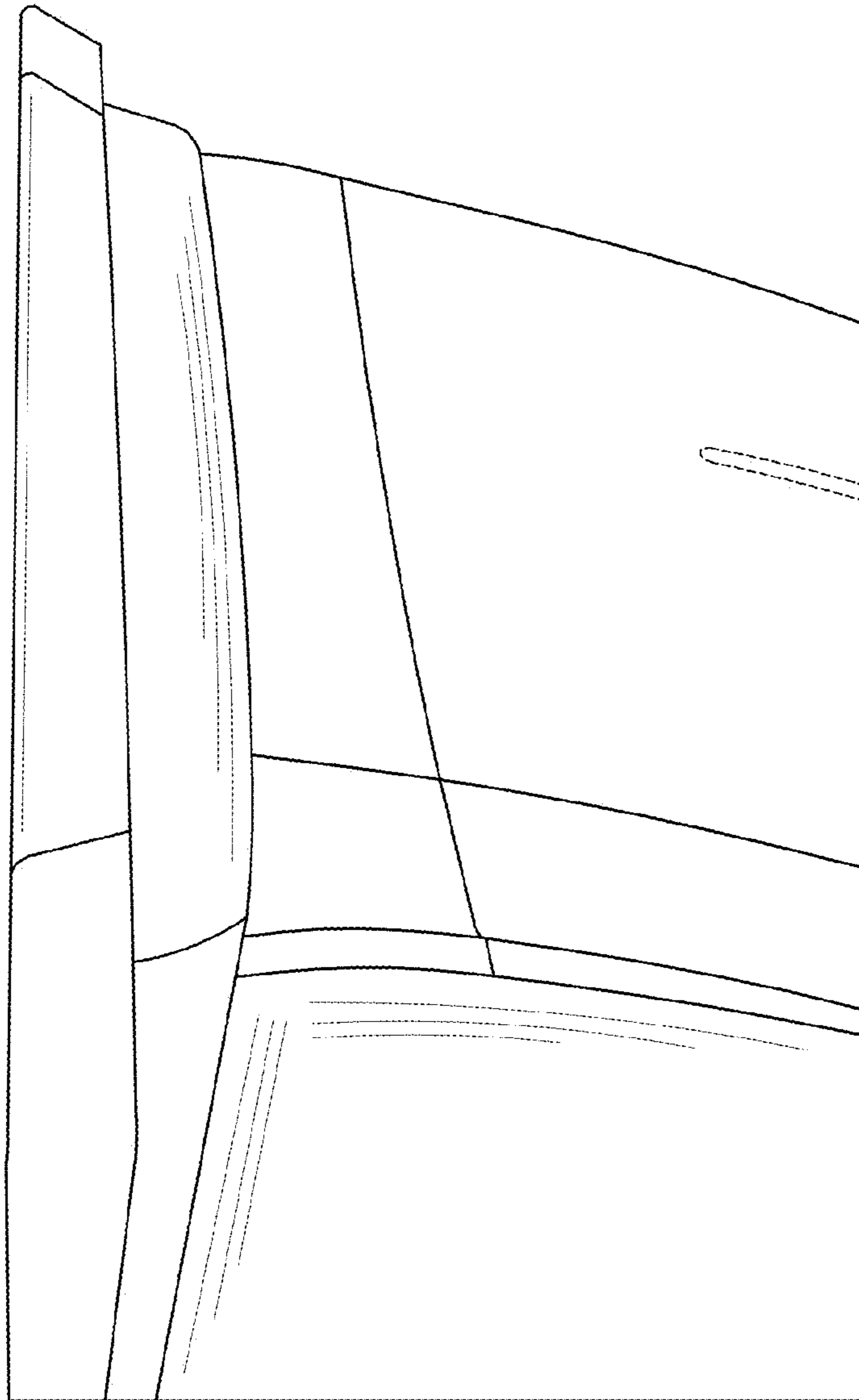


FIG. 11

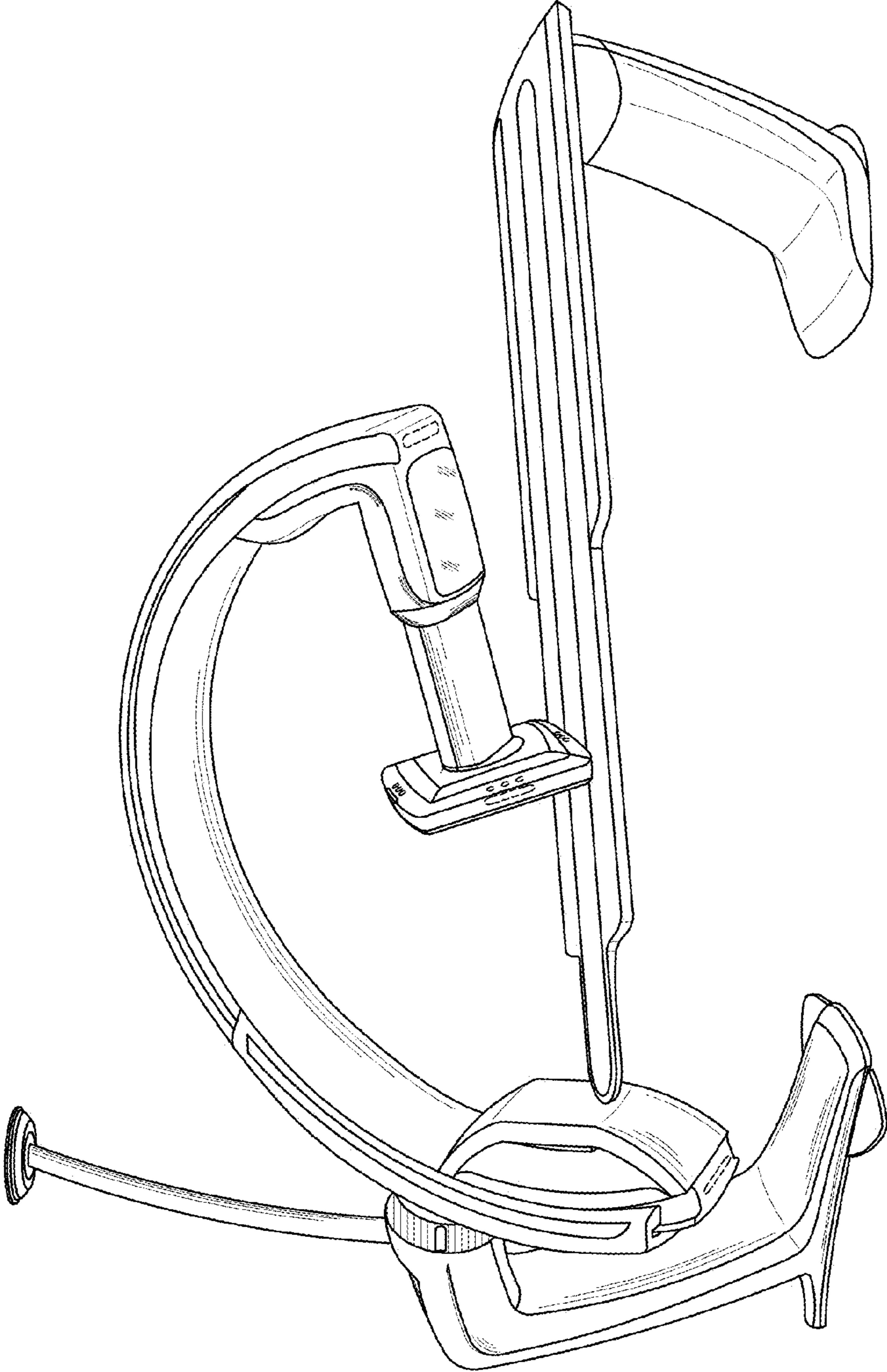


FIG. 12