



US00D746985S

(12) **United States Design Patent**
Szabo et al.

(10) **Patent No.:** **US D746,985 S**
(45) **Date of Patent:** **** Jan. 5, 2016**

(54) **NEEDLE HOLDER**

(71) Applicant: **Karl Storz GmbH & Co. KG,**
Tuttlingen (DE)

(72) Inventors: **Zoltan Szabo,** San Francisco, CA (US);
Walter Rosch, Donaueschingen (DE)

(73) Assignee: **Karl Storz GmbH & Co. KG** (DE)

(**) Term: **14 Years**

(21) Appl. No.: **29/498,932**

(22) Filed: **Aug. 8, 2014**

(51) **LOC (10) Cl.** **24-02**

(52) **U.S. Cl.**
USPC **D24/143**

(58) **Field of Classification Search**
USPC D24/143, 133, 145, 146, 147, 148;
606/45, 167, 170, 206, 208, 210, 213,
606/215, 205
CPC A61B 17/06; A61B 17/06061; A61B
17/2909; A61B 1/0052; A61B 1/0057; A61B
17/0218; A61B 17/3423; A61B 17/29
See application file for complete search history.

(56) **References Cited**

U.S. PATENT DOCUMENTS

D378,611 S	*	3/1997	Croley	D24/144
D571,914 S	*	6/2008	Bacher	D24/143
D583,472 S	*	12/2008	Koh	D24/143
D598,101 S		8/2009	Keckstein et al.		
D614,298 S		4/2010	Koh et al.		
D622,742 S		8/2010	Riek et al.		
D635,258 S		3/2011	Schneider		
D639,944 S		6/2011	Schneider		

D664,646 S		7/2012	Cuschieri et al.		
8,221,450 B2	*	7/2012	Lee et al.	606/205
8,409,175 B2	*	4/2013	Lee et al.	606/1
D719,654 S	*	12/2014	Weitkamp	D24/143
8,906,043 B2	*	12/2014	Woodard et al.	606/147
8,926,597 B2	*	1/2015	Lee	606/1
2006/0020287 A1	*	1/2006	Lee et al.	606/205
2006/0095074 A1	*	5/2006	Lee et al.	606/205
2008/0269727 A1	*	10/2008	Lee	606/1
2008/0294191 A1	*	11/2008	Lee	606/205
2009/0299344 A1	*	12/2009	Lee et al.	606/1

* cited by examiner

Primary Examiner — Wan Laymon

Assistant Examiner — Mark Booker

(74) *Attorney, Agent, or Firm* — Whitmyer IP Group LLC

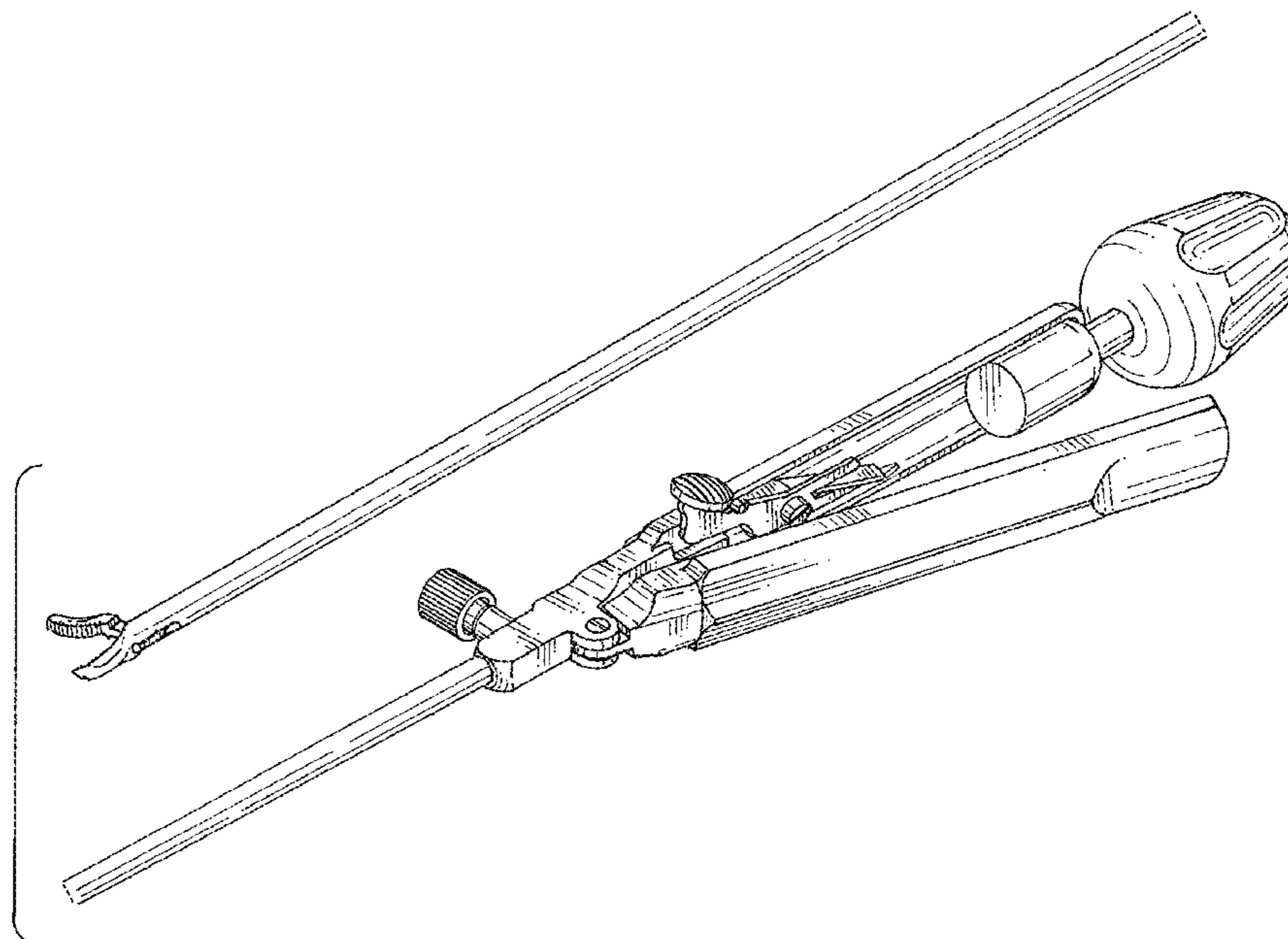
(57) **CLAIM**

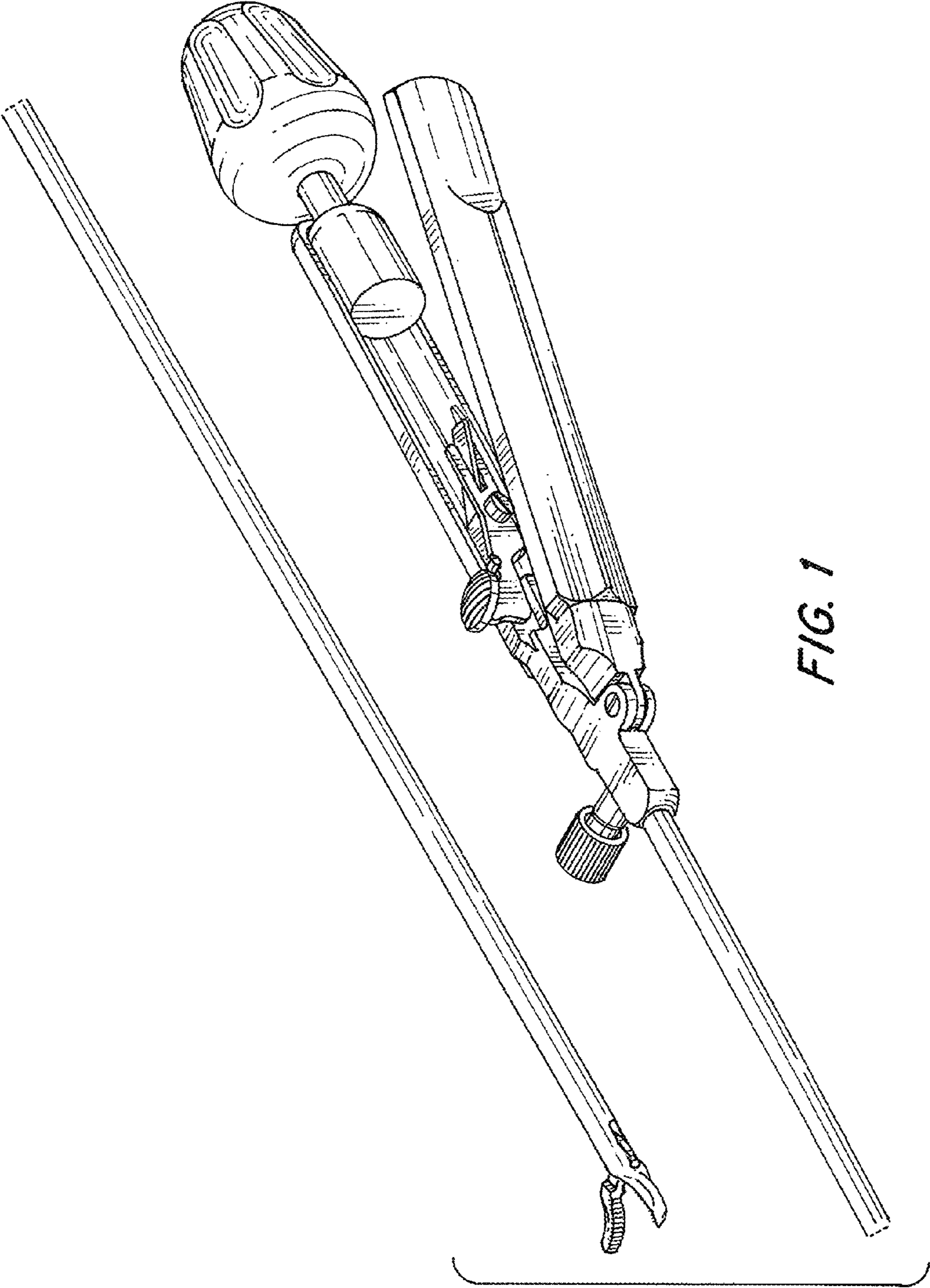
The ornamental design for a needle holder, as shown and described.

DESCRIPTION

FIG. 1 is a top left side isometric view of a needle holder in accordance with the new design;
FIG. 2 is a front top isometric view thereof;
FIG. 3 is a rear top isometric view thereof;
FIG. 4 is a bottom plan view thereof;
FIG. 5 is a top plan view thereof;
FIG. 6 is a left side elevational view thereof; and,
FIG. 7 is a right side elevational view thereof.
FIGS. 1 and 4-7 show a break indicating two parts of the needle holder for ease of illustration.
The broken away symbols in the drawings indicate that any portion of the article beyond what is shown forms no part of the claimed design.

1 Claim, 7 Drawing Sheets





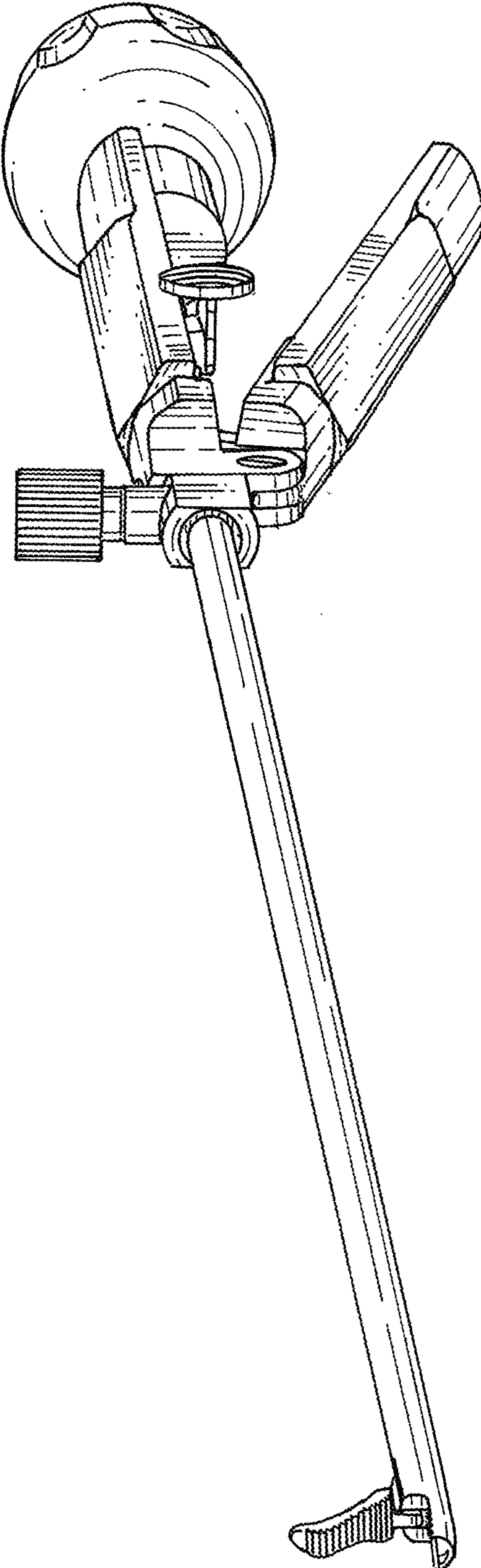


FIG. 2

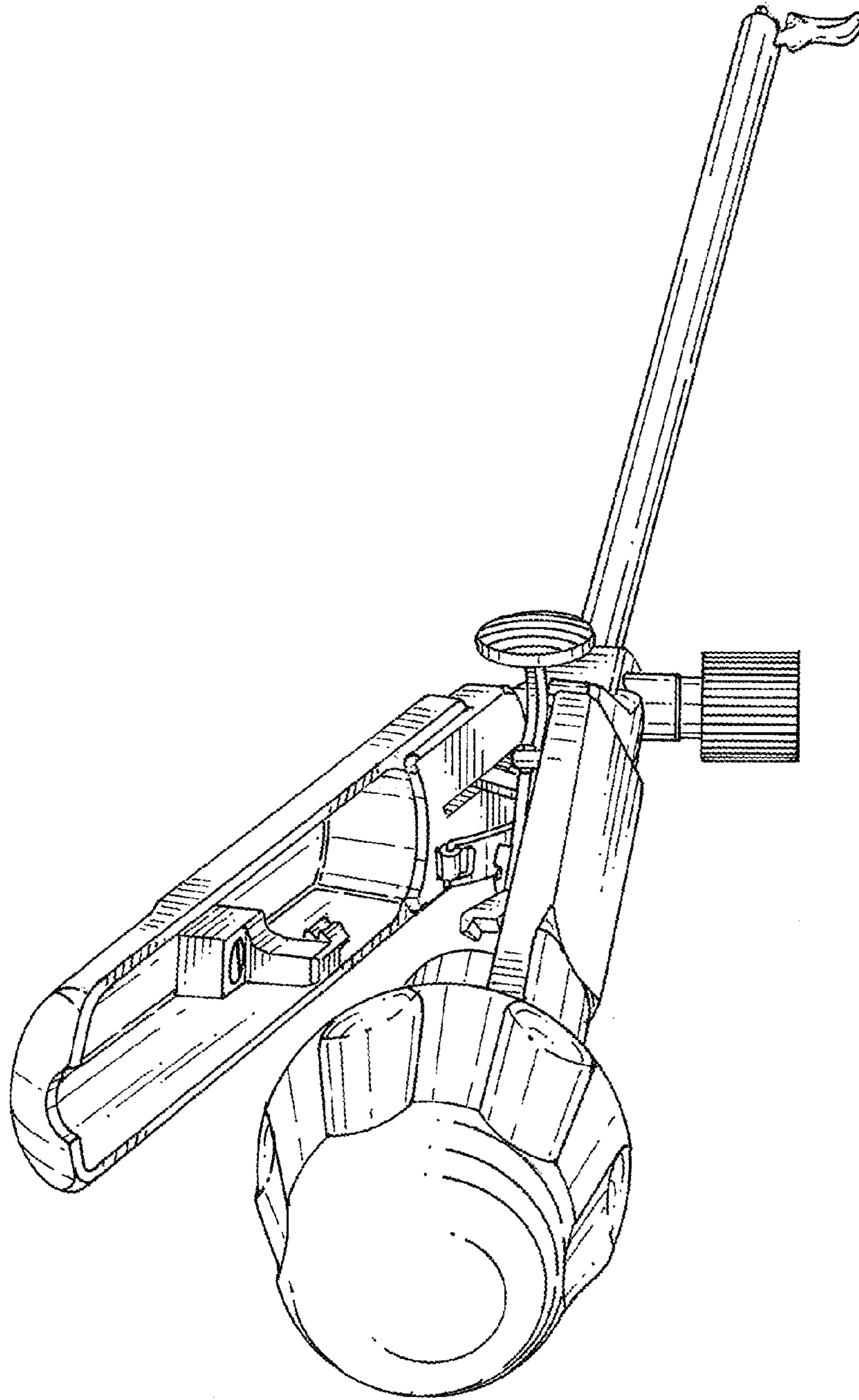


FIG. 3

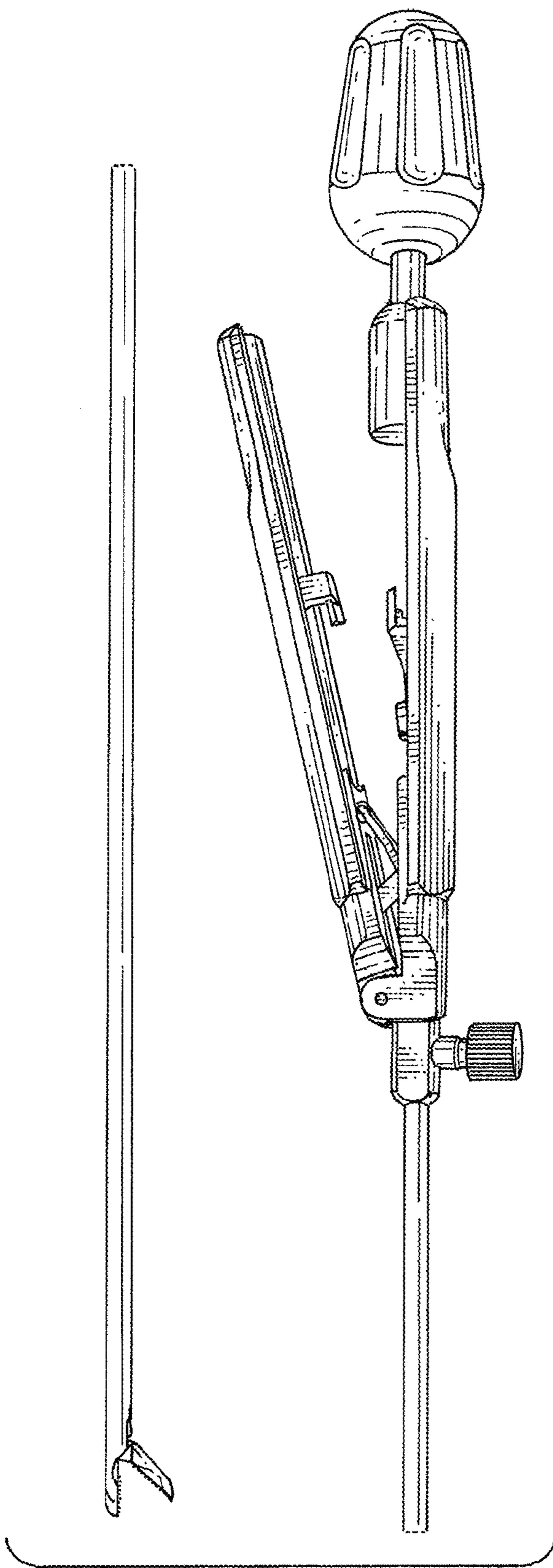


FIG. 4

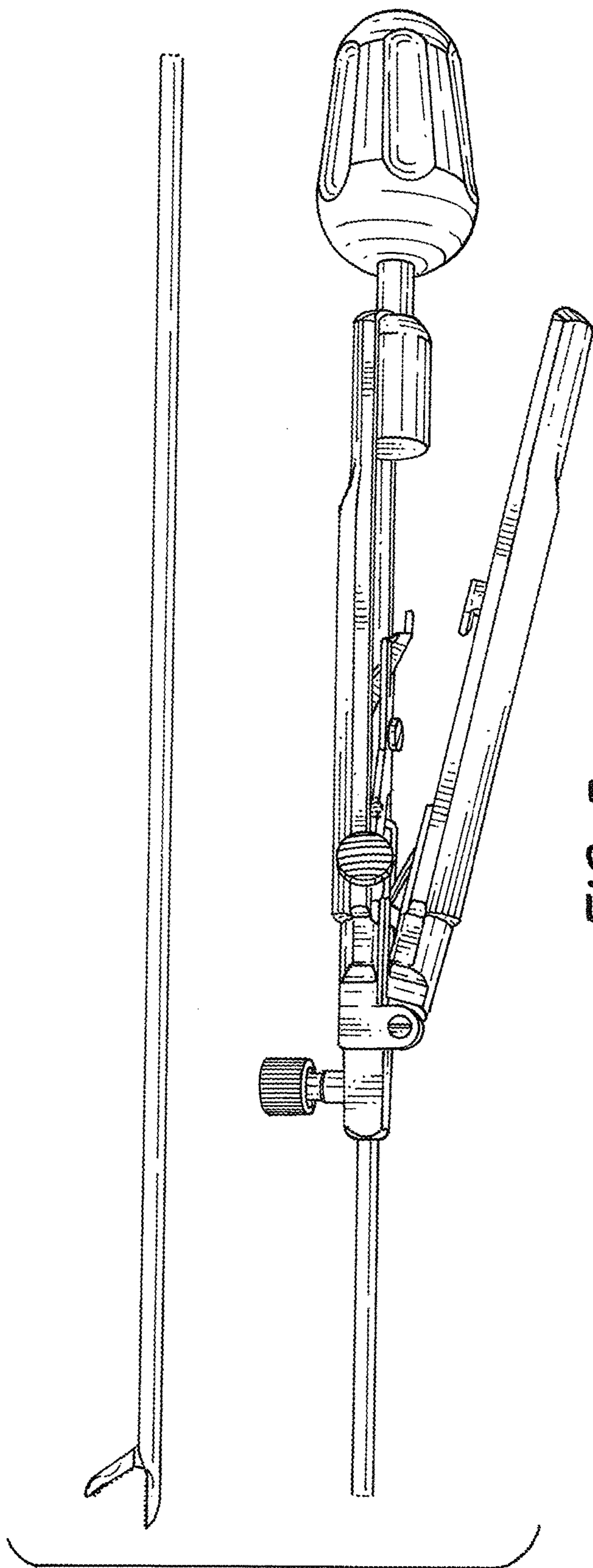


FIG. 5

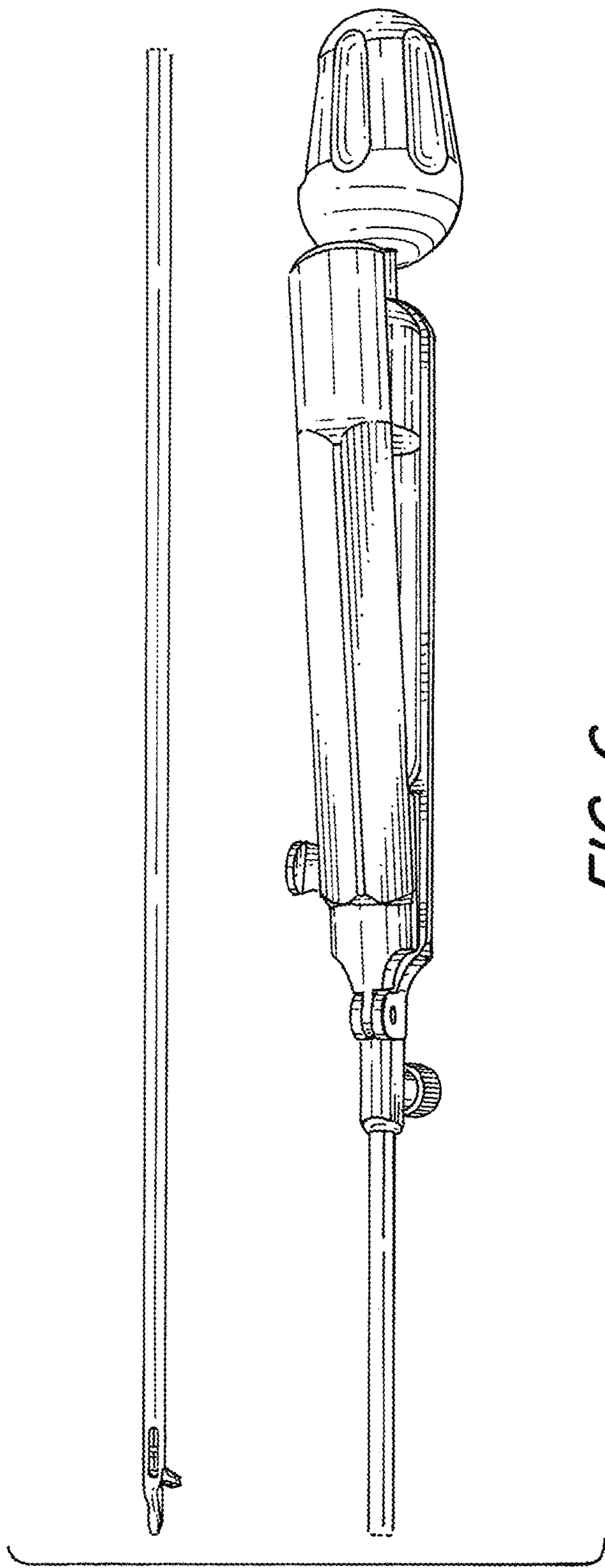


FIG. 6

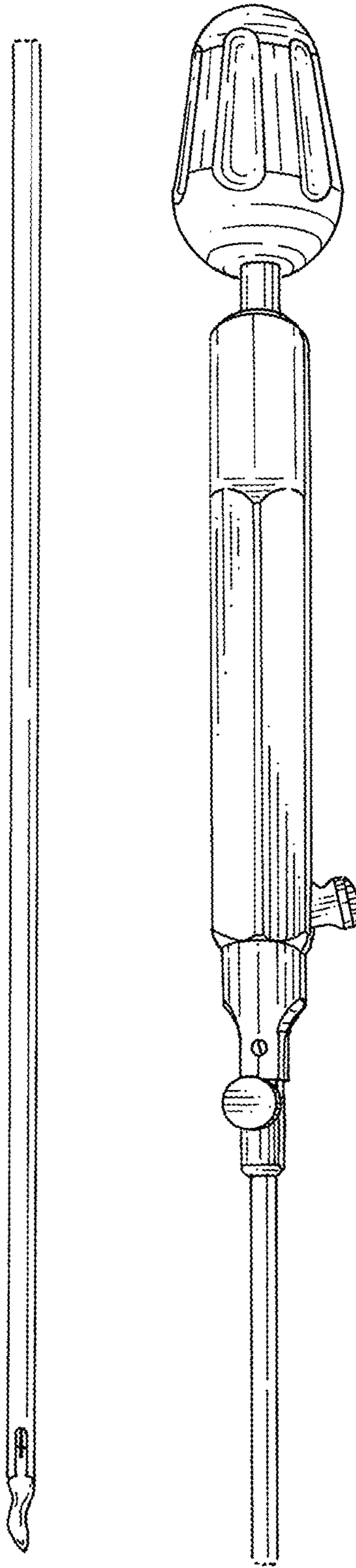


FIG. 7

