



US00D746984S

(12) **United States Design Patent**
Sajid

(10) **Patent No.:** **US D746,984 S**
(45) **Date of Patent:** **** Jan. 5, 2016**

- (54) **FORCEPS**
- (71) Applicant: **Haseeb Sajid**, Brooklyn, NY (US)
- (72) Inventor: **Haseeb Sajid**, Brooklyn, NY (US)
- (**) Term: **14 Years**
- (21) Appl. No.: **29/497,614**
- (22) Filed: **Jul. 25, 2014**
- (51) **LOC (10) Cl.** **24-02**
- (52) **U.S. Cl.**
USPC **D24/143**
- (58) **Field of Classification Search**
USPC D24/143, 133, 147-148, 152-154, 146,
D24/176; D8/4, 14, 51-56, 58, 105, 107;
D22/150; 7/125-136; 81/3.09, 3.44,
81/300, 342, 348, 355-362, 364-366,
81/385-404, 407-418, 424.5, 426, 426.5,
81/427.5; 433/4, 141, 159-160; 606/4, 51,
606/52, 83, 205-208, 210
CPC A61B 17/3403; A61B 10/06; A61B 17/30;
A61B 17/7062; A61B 18/1442; A61B
18/1445; A61B 17/3201; A61B 9/02; A61B
17/29; A61B 18/085; A61B 17/28
See application file for complete search history.

- D636,876 S * 4/2011 Clement D24/146
- D637,054 S * 5/2011 Schleiminger et al. D8/52
- D715,120 S * 10/2014 Bashir D8/52

* cited by examiner

Primary Examiner — Wan Laymon
Assistant Examiner — Mark Booker
(74) *Attorney, Agent, or Firm* — Ostrolenk Faber LLP

(57) **CLAIM**
The ornamental design for forceps, as shown and described.

DESCRIPTION

FIG. 1 is a top side, slightly right side and perspective view of forceps showing my new design in a closed condition; FIG. 2 is a top side, right side and perspective view thereof; FIG. 3 is a bottom side, left side and perspective view thereof; FIG. 4 is a top side, right side, perspective view thereof in a partially open position; FIG. 5 is a bottom side, left side, perspective view thereof; FIG. 6 is a front end, left side, top, perspective view thereof in a fully open position; FIG. 7 is a top side, right side perspective view of one forcep of the pair of forceps showing my new design; FIG. 8 is a bottom side, right side perspective view of the other forcep of the pair of forceps showing my new design; FIG. 9 is a bottom side, left side, perspective view of the pair of forceps arranged oriented for being assembled together; and, FIG. 10 is a right side, rear end, top perspective view of the pair of forceps arranged oriented for being assembled together.

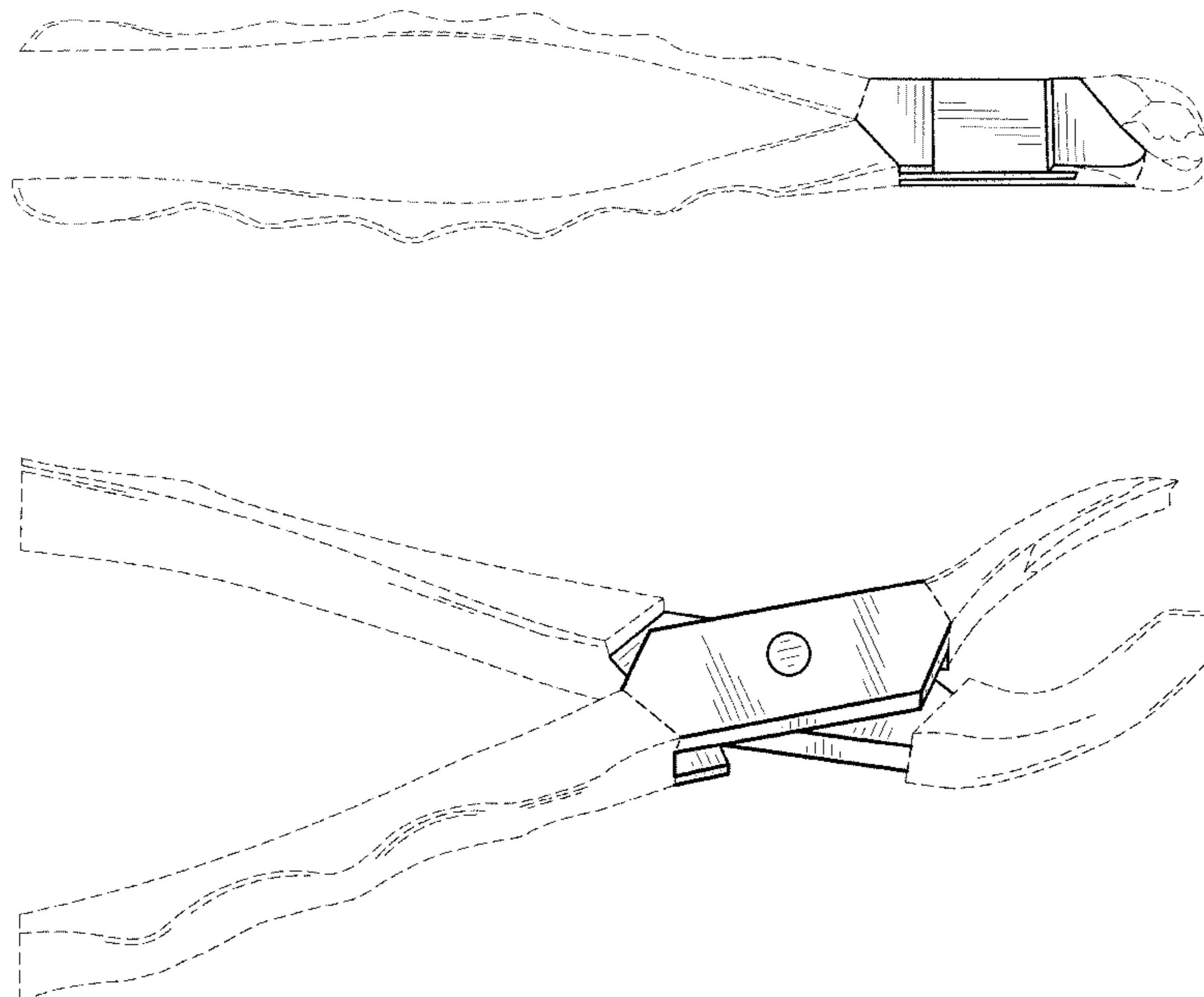
The broken line showing immediately adjacent the shaded areas represents boundaries to the claimed design and forms no part of the claimed design.

1 Claim, 10 Drawing Sheets

(56) **References Cited**

U.S. PATENT DOCUMENTS

- 1,395,714 A * 11/1921 Johnson 433/159
- D448,260 S * 9/2001 Gathmann D8/52
- D483,633 S * 12/2003 Jansson et al. D8/52
- D605,012 S * 12/2009 Robinson et al. D8/52
- D636,875 S * 4/2011 Clement D24/146



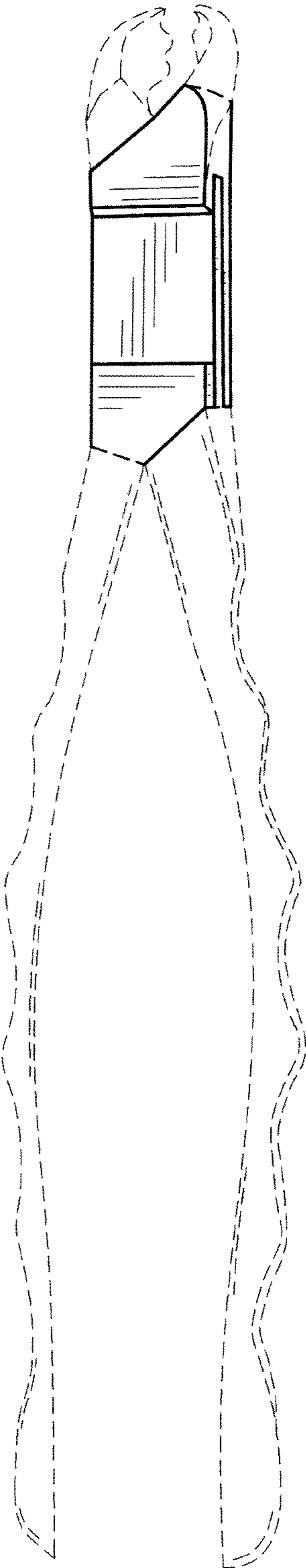


FIG. 1

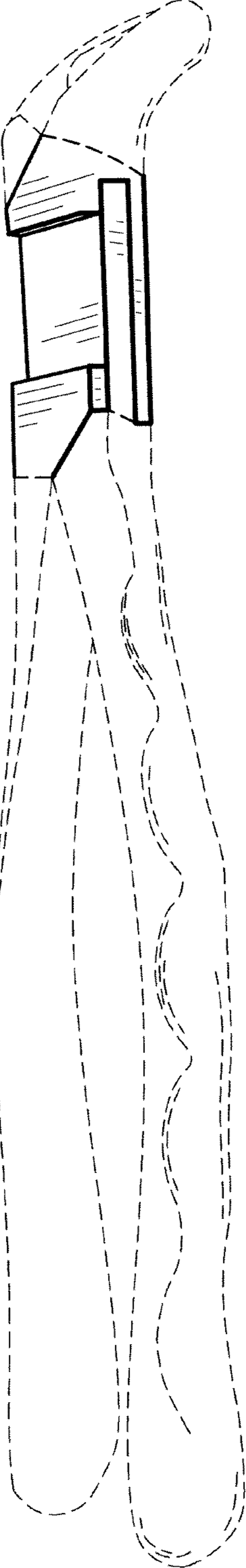


FIG. 2

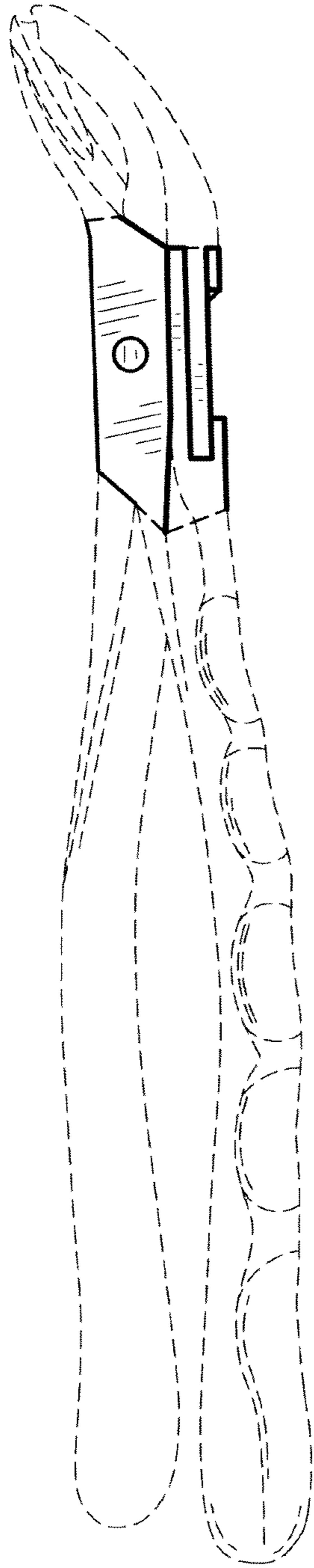


FIG. 3

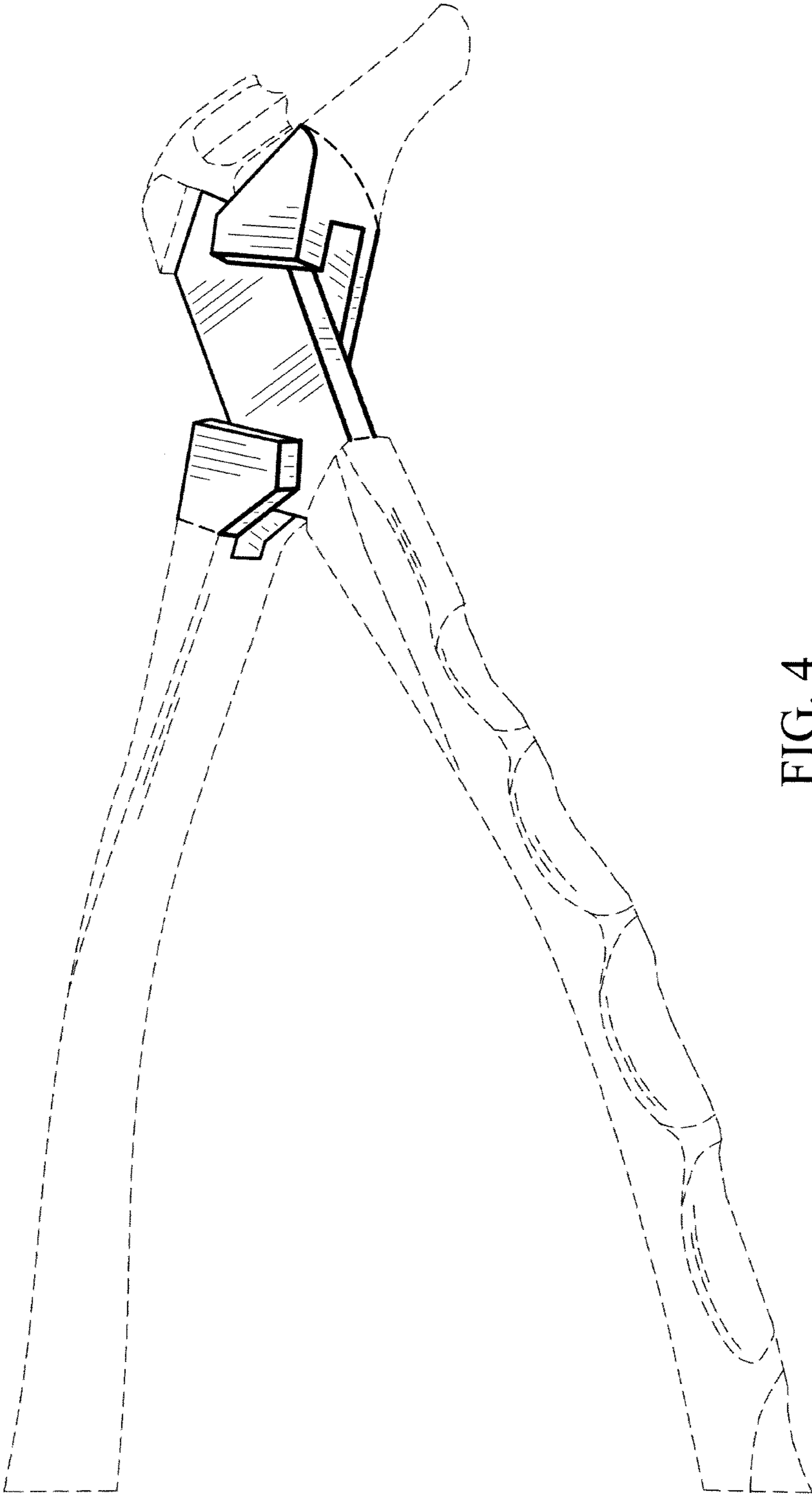


FIG. 4

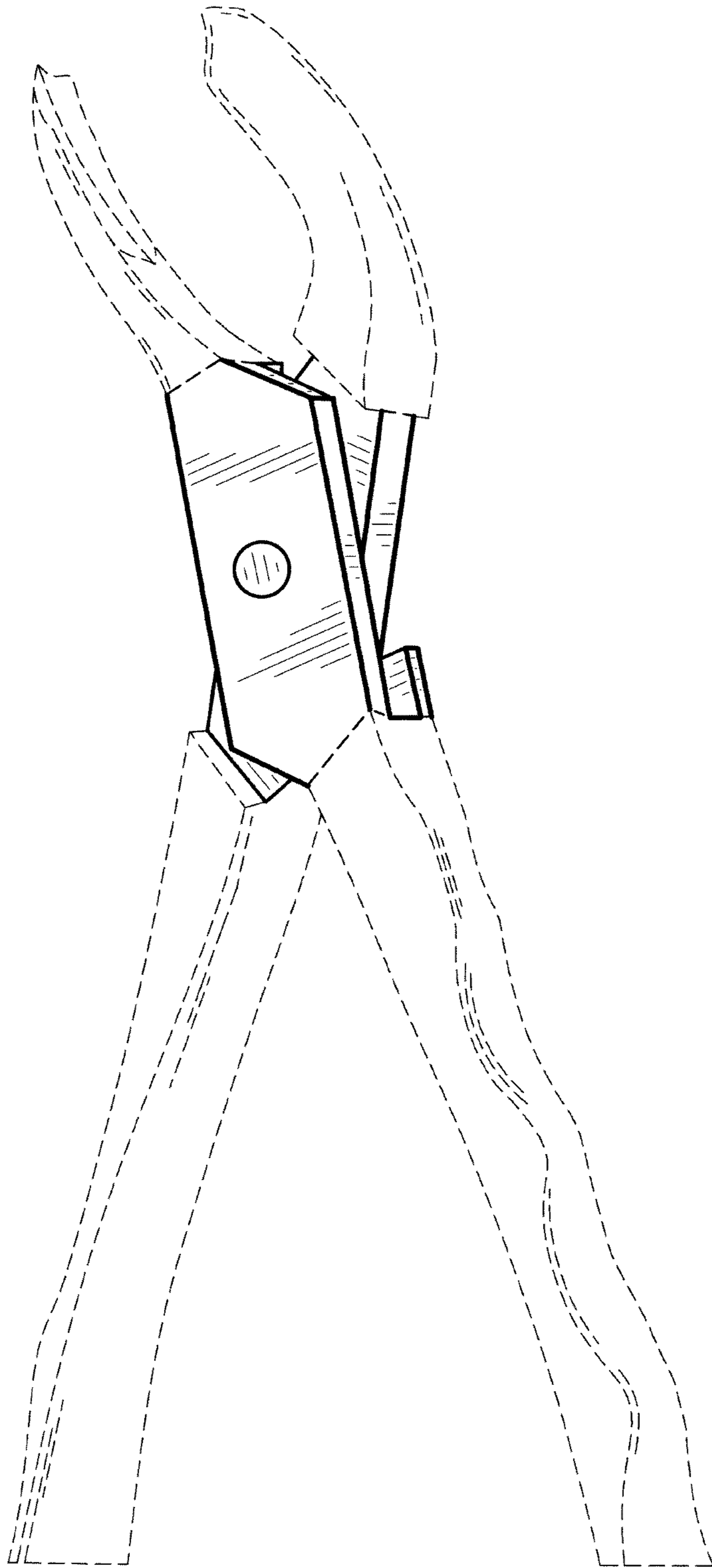


FIG. 5

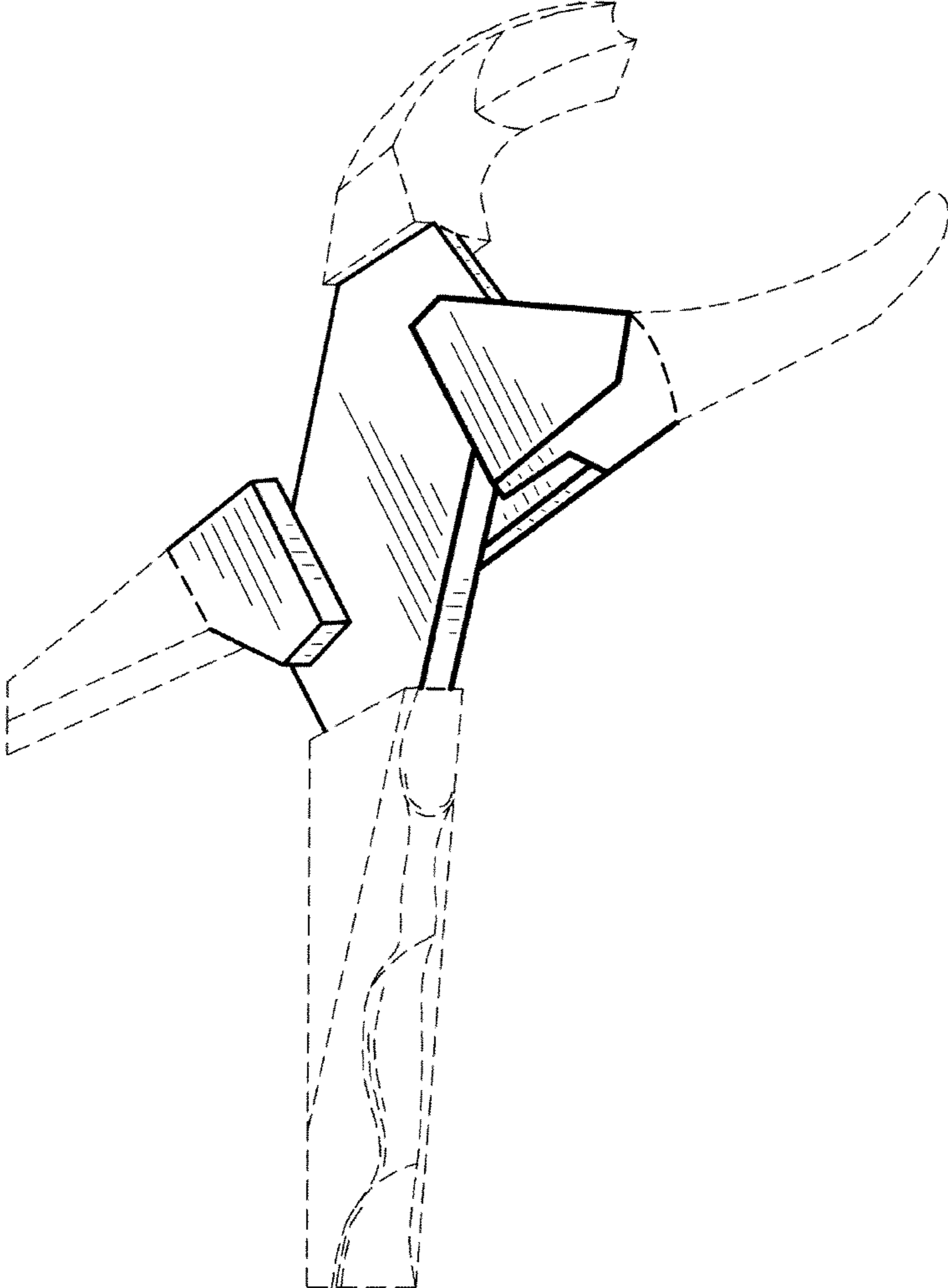


FIG. 6

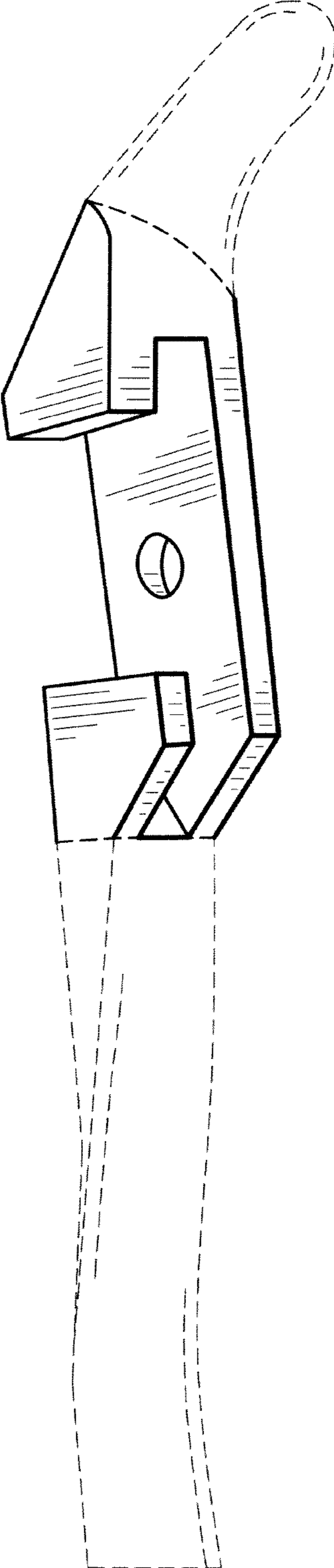


FIG. 7

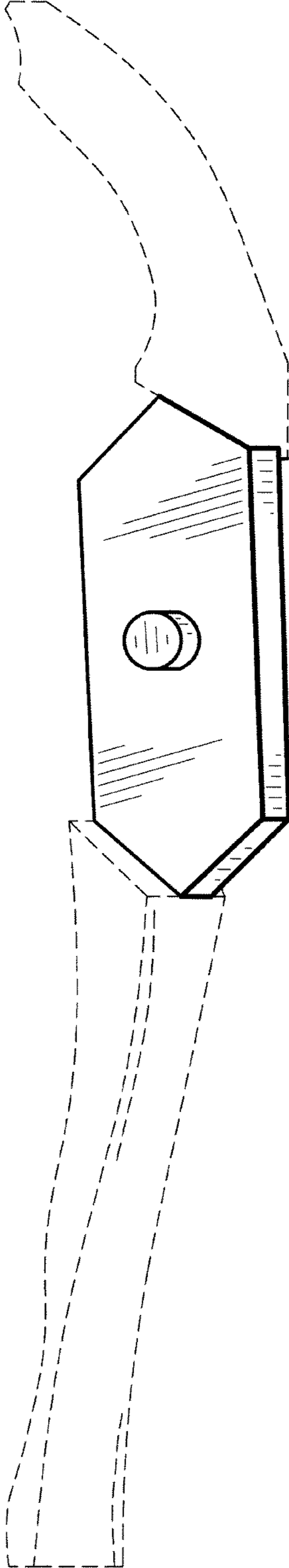


FIG. 8

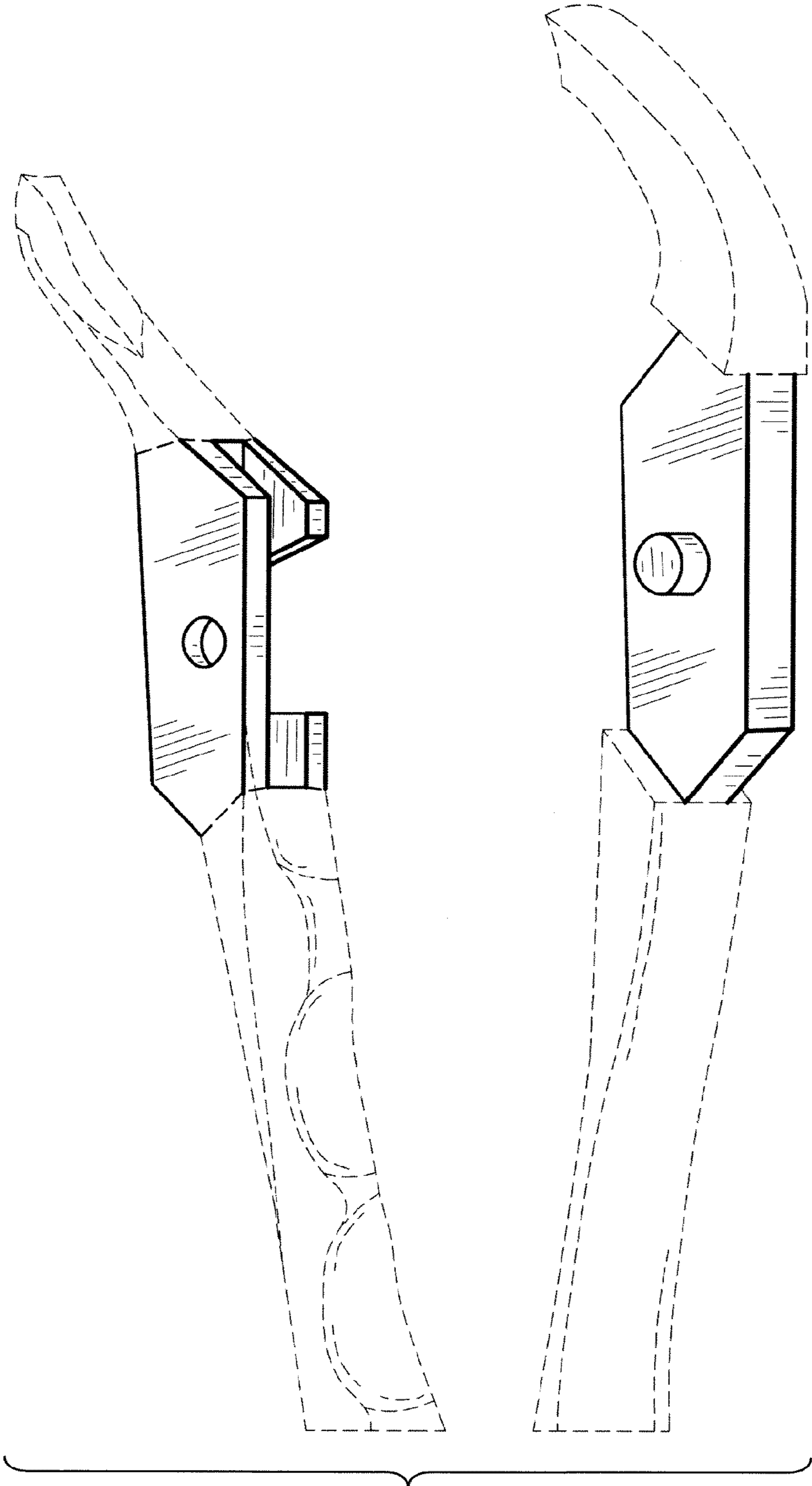


FIG. 9

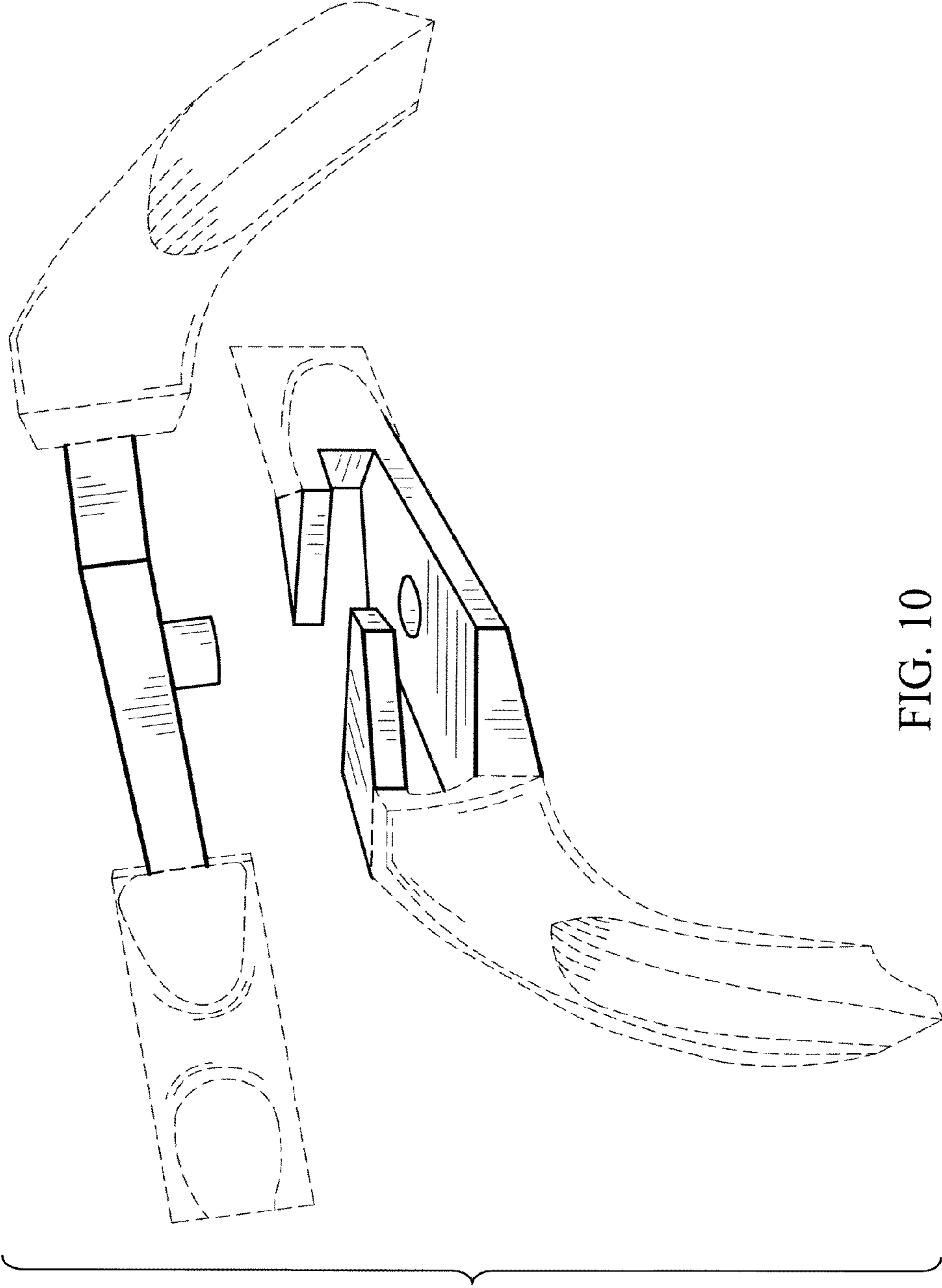


FIG. 10