



US00D746979S

(12) **United States Design Patent**
Dominguez et al.

(10) **Patent No.:** **US D746,979 S**
(45) **Date of Patent:** **** Jan. 5, 2016**

(54) **IRRIGATION, DEBRIDEMENT AND
CLEANING BASIN**

(71) Applicant: **Spectrum Health Innovations, LLC,**
Grand Rapids, MI (US)

(72) Inventors: **Angel I. Dominguez,** Grand Rapids, MI
(US); **Andrew J. Rodenhouse,** Grand
Rapids, MI (US); **Desmond J.**
O'Farrell, Grand Rapids, MI (US)

(73) Assignee: **Spectrum Health Innovations, LLC,**
Grand Rapids, MI (US)

(**) Term: **14 Years**

(21) Appl. No.: **29/464,372**

(22) Filed: **Aug. 15, 2013**

(51) **LOC (10) Cl.** **24-04**

(52) **U.S. Cl.**
USPC **D24/121**

(58) **Field of Classification Search**
USPC D24/121-123, 112, 207, 216, 224;
D9/716, 425, 428, 429, 702, 703, 712;
D7/679, 543, 545, 565, 587, 667;
220/574, 608; 604/540, 329, 317;
4/650, 621, 159, 182, 656;
D23/276-278, 280.1-280.3, 284, 289
See application file for complete search history.

(56) **References Cited**

U.S. PATENT DOCUMENTS

2,182,254 A 12/1939 Farrell
D120,214 S 4/1940 Carson
2,486,824 A 11/1949 Daniels
2,531,724 A 11/1950 Cevasco
2,709,435 A 5/1955 Kress
3,513,488 A 5/1970 Trubitt et al.
3,738,251 A 6/1973 Haaser
3,851,340 A 12/1974 Keusch
3,860,976 A 1/1975 Suyama
D235,302 S * 6/1975 Lanigan D7/584

3,992,729 A 11/1976 Mills
D250,929 S * 1/1979 Gerstman et al. D7/565
D251,202 S 2/1979 Charewicz
D253,304 S 10/1979 Nakao et al.
4,368,548 A 1/1983 Glass
D270,018 S 8/1983 Knight
D274,455 S * 6/1984 Cuttriss D23/280.1
D295,221 S 4/1988 Solomon

(Continued)

FOREIGN PATENT DOCUMENTS

WO 9504484 2/1995

OTHER PUBLICATIONS

Prior Art Basin Construction, 4 pp.

Primary Examiner — David Muller

Assistant Examiner — Nathan Johnston

(74) *Attorney, Agent, or Firm* — Warner Norcross & Judd
LLP

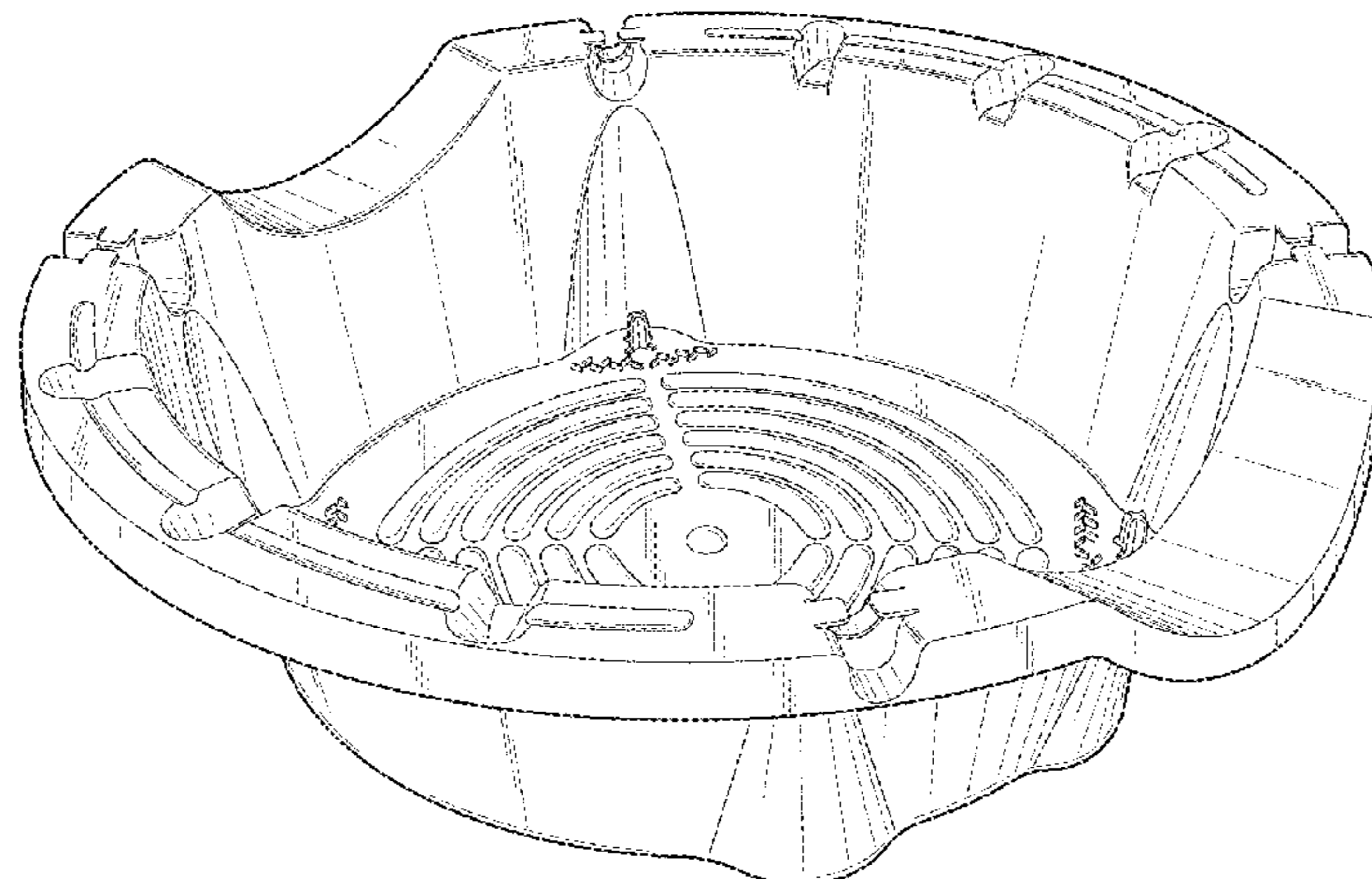
(57) **CLAIM**

The ornamental design for irrigation, debridement and clean-
ing basin, as shown and described.

DESCRIPTION

FIG. 1 is a perspective view of the irrigation, debridement and
cleaning basin embodying the new design;
FIG. 2 is a right side view thereof, the left side view being a
mirror image thereof;
FIG. 3 is a front view thereof;
FIG. 4 is a rear view thereof;
FIG. 5 is a top view thereof; and,
FIG. 6 is a bottom view thereof.
FIGS. 1-6 show features of an irrigation, debridement and
cleaning basin in phantom lines. These features are shown for
environmental purposes and do not form any part of the
claimed design. Further, the phantom lines immediately adja-
cent the solid-line portions of the design form the boundary of
the design, with the phantom lines forming no part of the
claimed design.

1 Claim, 5 Drawing Sheets



(56)

References Cited

U.S. PATENT DOCUMENTS

4,864,667 A 9/1989 Adams
D307,465 S 4/1990 Phillips
D317,371 S 6/1991 Haffner
D317,410 S * 6/1991 Ott et al. D9/426
D319,313 S 8/1991 Battles et al.
D321,809 S * 11/1991 Zobrist D7/359
5,245,713 A 9/1993 Tickle
D340,280 S 10/1993 Junca
5,381,562 A 1/1995 Holloway et al.
5,455,972 A 10/1995 Williams
5,609,163 A 3/1997 Beard
5,697,921 A 12/1997 Blair
D392,884 S * 3/1998 Hayes D9/431
D398,075 S 9/1998 Book et al.
D405,526 S 2/1999 Bonelli
5,878,445 A 3/1999 Suderski
6,016,578 A 1/2000 Malouf
D420,856 S * 2/2000 Yeo et al. D7/554.2
D425,982 S 5/2000 Wilkinson et al.
6,189,162 B1 2/2001 Tanner
6,398,062 B1 6/2002 Jones
6,405,389 B1 6/2002 Harty
6,609,257 B1 8/2003 O'Geary
D495,415 S 8/2004 Theodore
D508,822 S * 8/2005 Smith et al. D7/545
D526,748 S 8/2006 Van Skiver
D529,797 S * 10/2006 Wilcox et al. D9/428
D533,938 S 12/2006 Brazee
7,278,987 B2 10/2007 Solazzo
D557,413 S 12/2007 Buermann
D569,970 S * 5/2008 Kammer et al. D24/123
D571,961 S 6/2008 Nguyen
D579,558 S 10/2008 McBarnett et al.

D589,797 S * 4/2009 Stuart D9/454
D597,838 S * 8/2009 Stuart D9/454
D608,456 S 1/2010 Sandel
D610,697 S 2/2010 Tran
D612,023 S 3/2010 Harris
D615,193 S 5/2010 Utz
D618,497 S * 6/2010 Malaspino et al. D7/388
7,736,348 B2 6/2010 Booth et al.
D621,927 S 8/2010 Dominguez et al.
7,785,303 B2 8/2010 Tapadiya
D627,062 S * 11/2010 Tanguay D24/123
D628,704 S 12/2010 Tran
D662,602 S * 6/2012 Foster et al. D24/220
D670,377 S * 11/2012 Adams D24/123
D674,482 S 1/2013 Wurapa
D679,548 S * 4/2013 Chen D7/545
D679,556 S * 4/2013 Chen D7/667
D681,464 S * 5/2013 Taylor D9/453
D684,857 S * 6/2013 Zhen D9/429
D688,941 S * 9/2013 Sifuentes et al. D9/432
D693,647 S * 11/2013 Seyers et al. D7/587
D694,621 S * 12/2013 McCarthy et al. D9/429
D697,801 S * 1/2014 Rapparini D9/500
D701,115 S * 3/2014 Doerr et al. D9/424
D710,199 S * 8/2014 Arvinte et al. D9/447
2003/0047497 A1 3/2003 Harris et al.
2003/0056285 A1 3/2003 Pollastri et al.
2004/0225265 A1 11/2004 Tapadiya
2004/0225266 A1 11/2004 Tapadiya
2004/0225267 A1 11/2004 Tapadiya
2004/0230154 A1 11/2004 Tapadiya
2006/0272979 A1 12/2006 Lubbers et al.
2010/0180827 A1 7/2010 Becattini et al.
2011/0011408 A1 1/2011 Born
2011/0225726 A1 9/2011 Dominguez et al.
2011/0305512 A1 12/2011 DiTullio

* cited by examiner

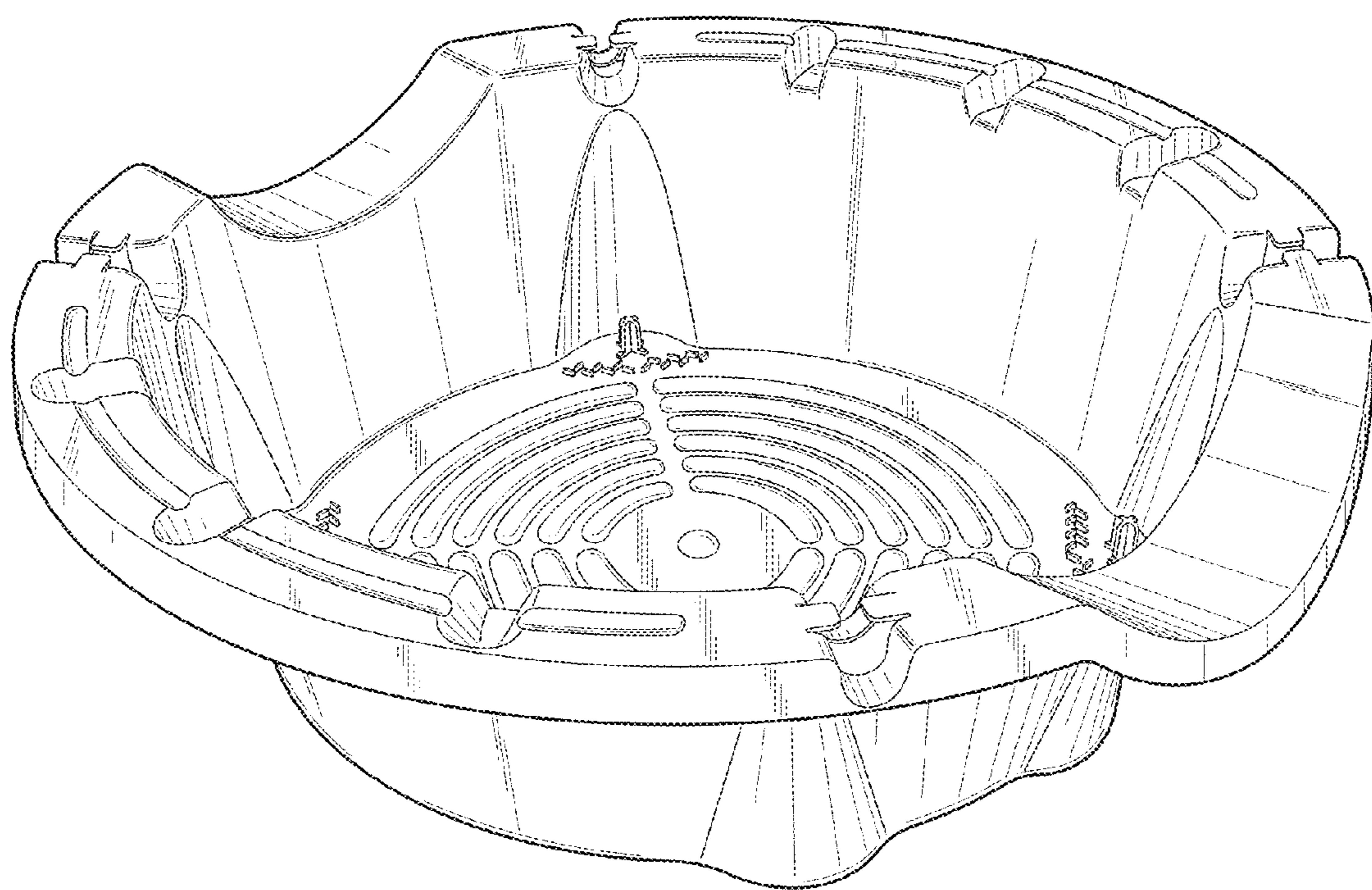


Fig. 1

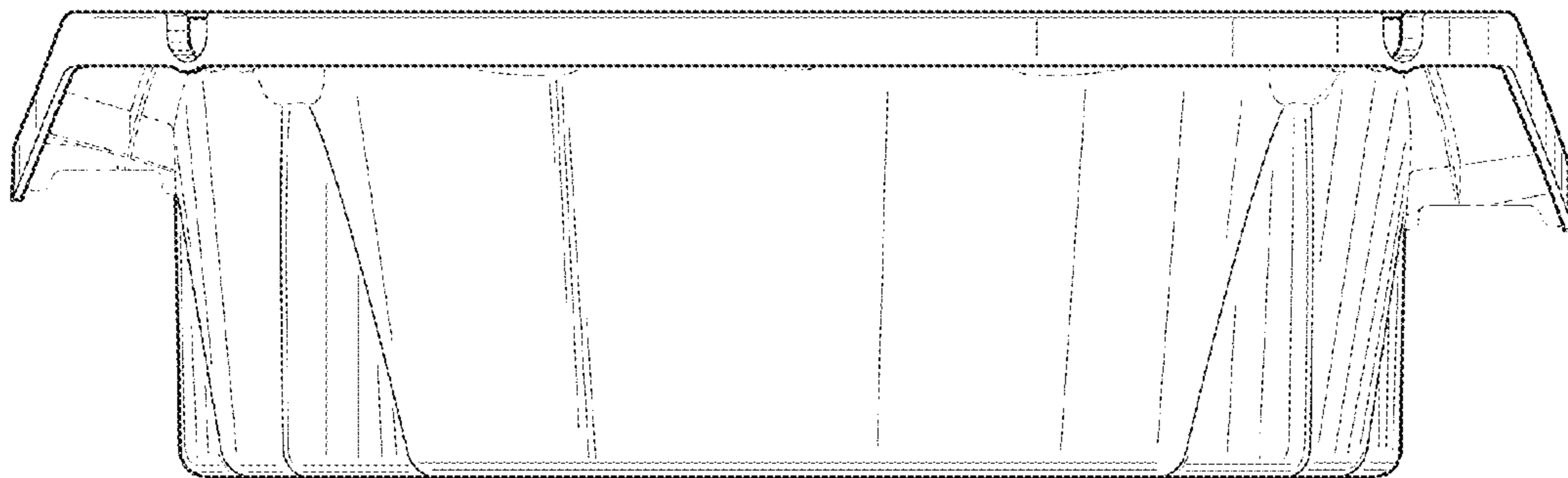


Fig. 2

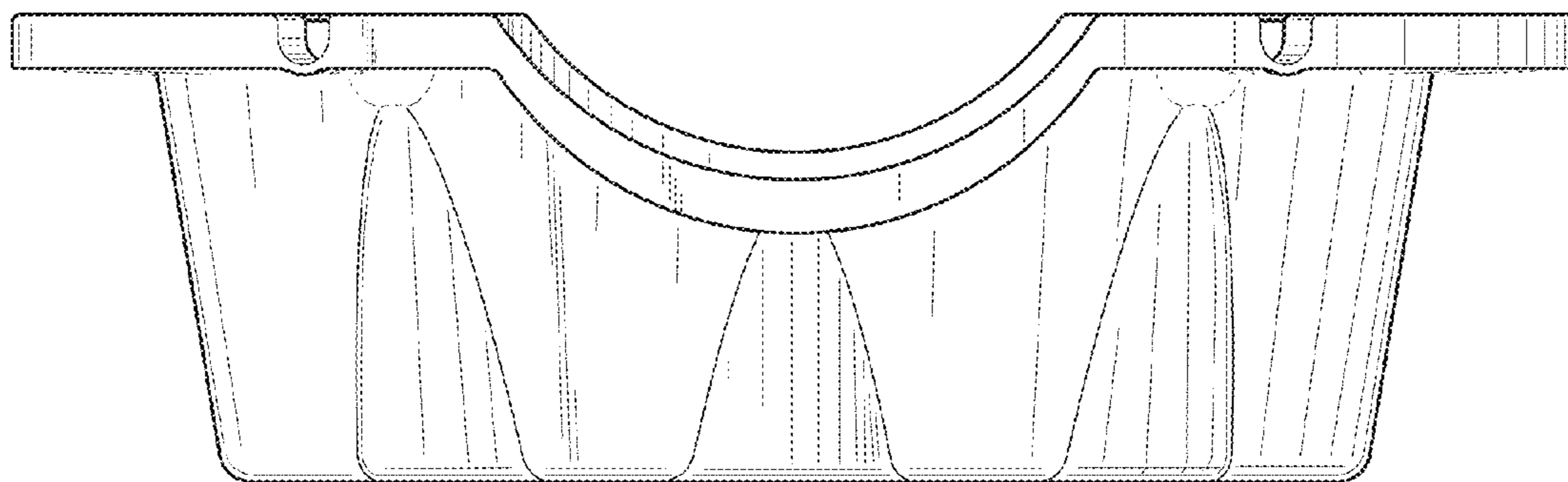


Fig. 3

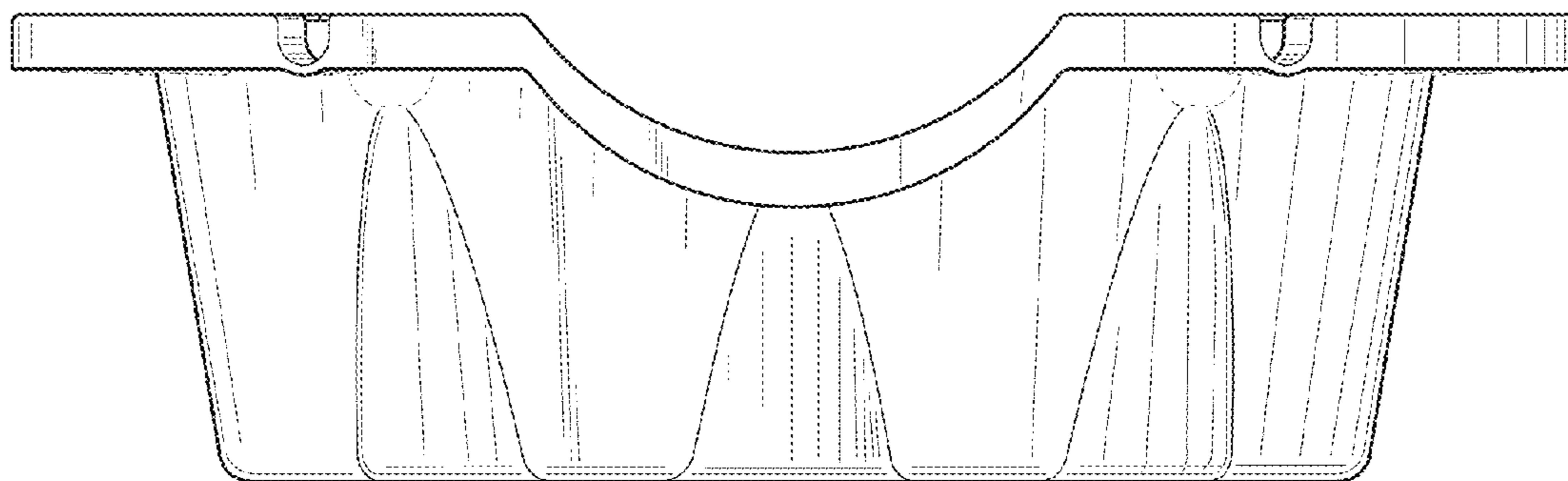


Fig. 4

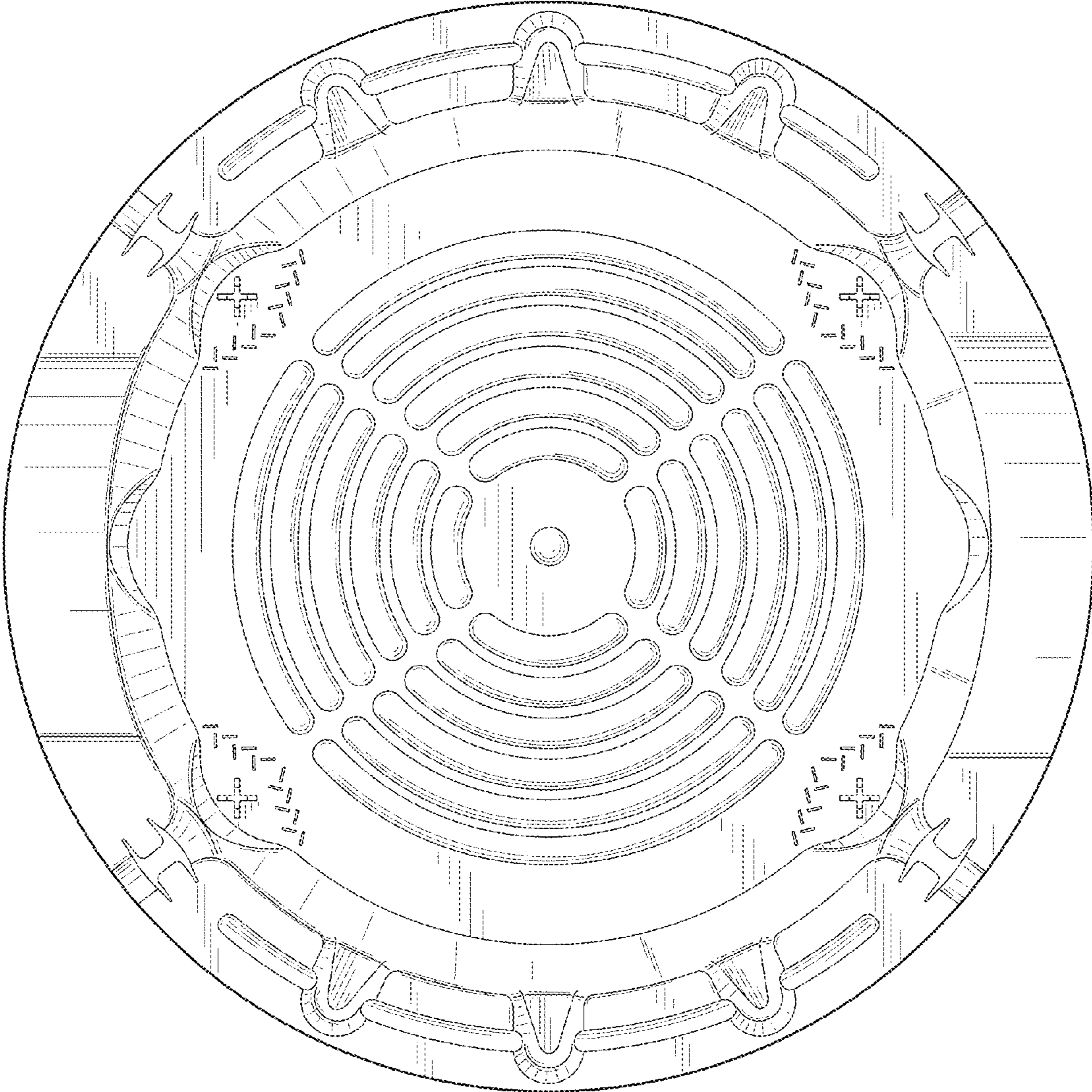


Fig. 5

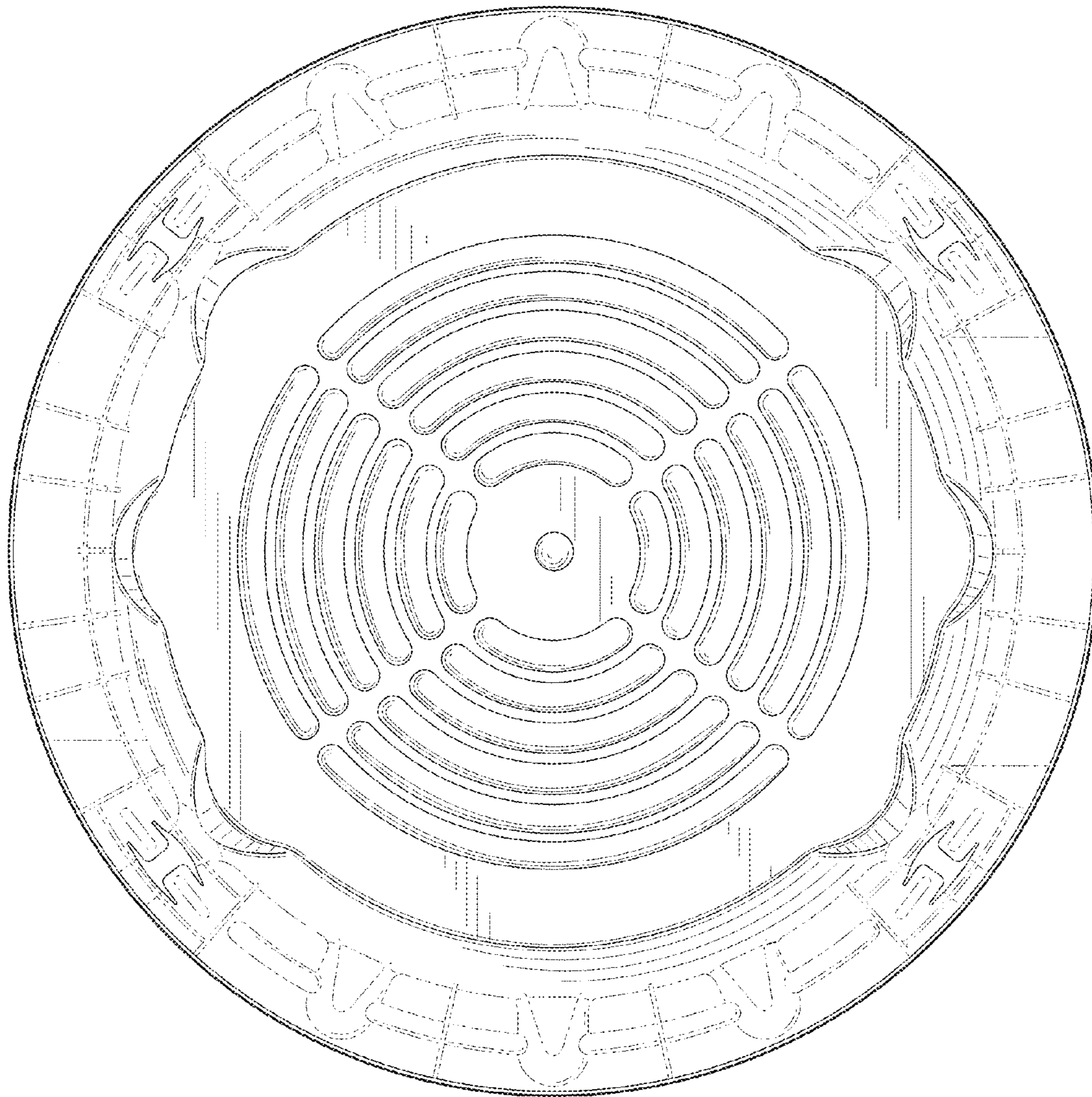


Fig. 6