



US00D746976S

(12) **United States Design Patent**
Chen et al.

(10) **Patent No.:** **US D746,976 S**
(45) **Date of Patent:** **** Jan. 5, 2016**

- (54) **BLOOD COLLECTION DEVICE**
- (71) Applicant: **Theranos, Inc.**, Palo Alto, CA (US)
- (72) Inventors: **Michael Chen**, Palo Alto, CA (US);
Patricia McHale, Palo Alto, CA (US)
- (73) Assignee: **Theranos, Inc.**, Palo Alto, CA (US)
- (**) Term: **14 Years**
- (21) Appl. No.: **29/466,434**
- (22) Filed: **Sep. 8, 2013**
- (51) **LOC (10) Cl.** **24-02**
- (52) **U.S. Cl.**
USPC **D24/112**
- (58) **Field of Classification Search**
USPC D24/112–114, 121, 127, 130, 108, 111,
D24/167, 169; 604/6.01, 6.02, 6.04, 6.05,
604/6.15, 131, 148, 264, 263, 198, 317,
604/319, 326; 600/578, 573, 576, 577
CPC A61B 5/15; A61B 5/00
See application file for complete search history.

2005/0149090	A1 *	7/2005	Morita et al.	606/181
2012/0143151	A1 *	6/2012	Low et al.	604/263
2013/0197332	A1 *	8/2013	Lucisano et al.	600/345
2014/0073990	A1 *	3/2014	Holmes et al.	600/575

OTHER PUBLICATIONS

Office Action dated Nov. 21, 2014 for U.S. Appl. No. 29/466,435.
Office Action dated Nov. 21, 2014 for U.S. Appl. No. 29/466,436.
Office Action dated Nov. 21, 2014 for U.S. Appl. No. 29/466,437.
Advisory Action dated Jun. 18, 2015 for U.S. Appl. No. 29/466,437.
Advisory Action dated Jun. 26, 2015 for U.S. Appl. No. 29/466,436.
Office Action dated Apr. 10, 2015 for U.S. Appl. No. 29/466,437.
Office Action dated Apr. 13, 2015 for U.S. Appl. No. 29/466,436.
Office Action dated Apr. 27, 2015 for U.S. Appl. No. 29/466,435.

* cited by examiner

Primary Examiner — David Muller
Assistant Examiner — Nathan Johnston

(57) **CLAIM**
The ornamental design for a blood collection device, as shown and described.

DESCRIPTION

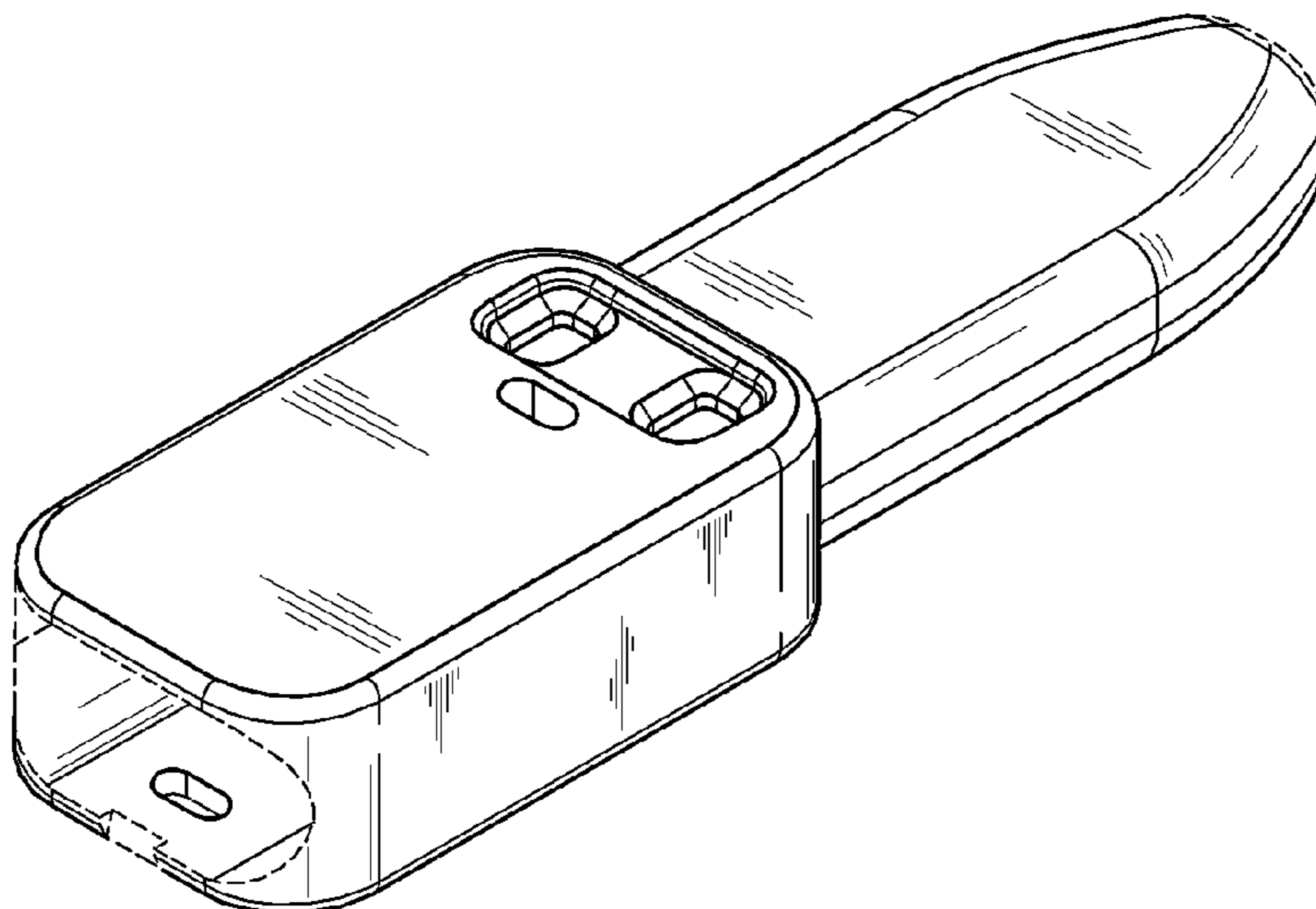
FIG. 1 is a top perspective view of a blood collection device, showing our new design;
FIG. 2 is a bottom perspective view of a blood collection device;
FIG. 3 is a side view thereof;
FIG. 4 is a proximal end view thereof; and,
FIG. 5 is a distal end view thereof.
The broken lines are included for the purpose of illustrating unclaimed portions of the blood collection device and form no part of the claimed design.

(56) **References Cited**

U.S. PATENT DOCUMENTS

5,504,011	A *	4/1996	Gavin et al.	436/69
6,027,459	A *	2/2000	Shain et al.	600/573
7,976,778	B2 *	7/2011	Drucker et al.	422/68.1
8,204,568	B2 *	6/2012	Matsumoto et al.	600/347
8,308,748	B2 *	11/2012	Young et al.	606/182
8,366,729	B2 *	2/2013	Levaughn et al.	606/181
8,383,041	B2 *	2/2013	Ruhl et al.	422/66
8,647,269	B2 *	2/2014	Nelson et al.	600/301
8,702,624	B2 *	4/2014	Alden	600/583

1 Claim, 2 Drawing Sheets



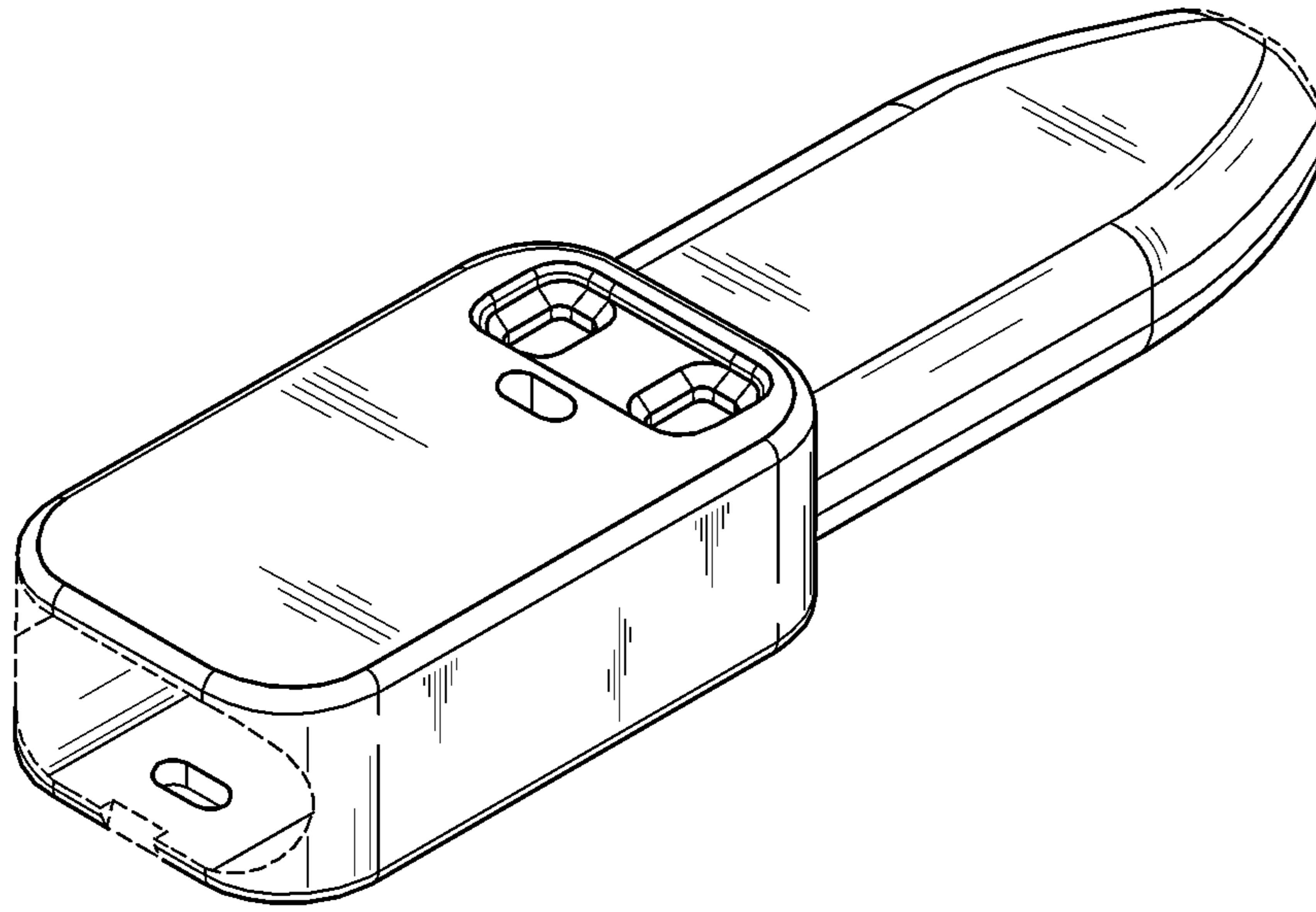


FIG. 1

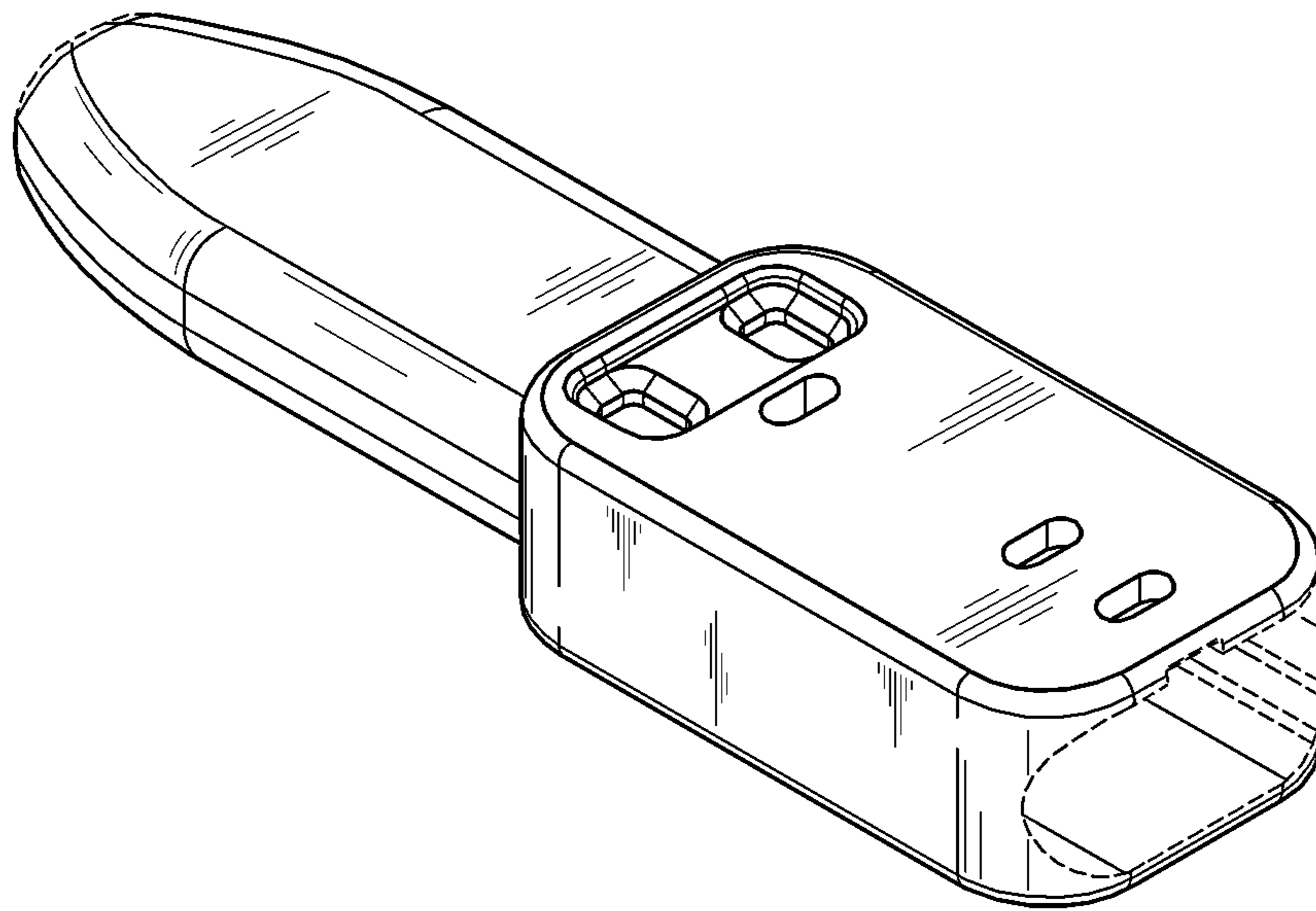


FIG. 2

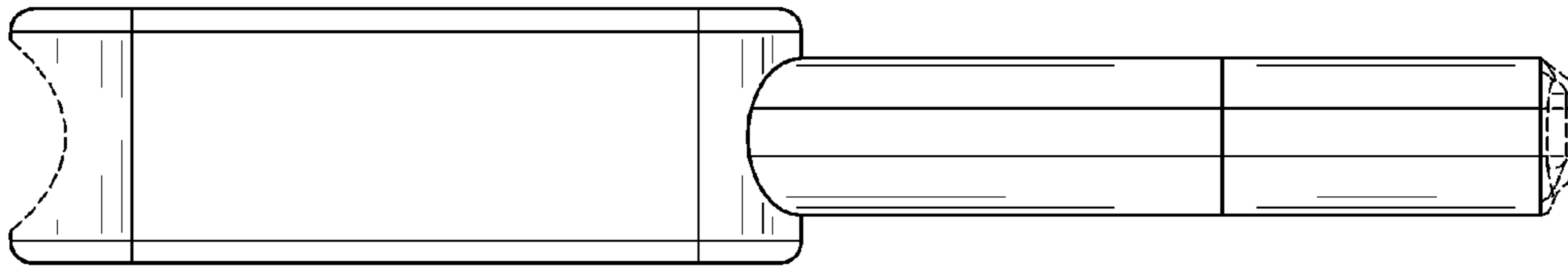


FIG. 3

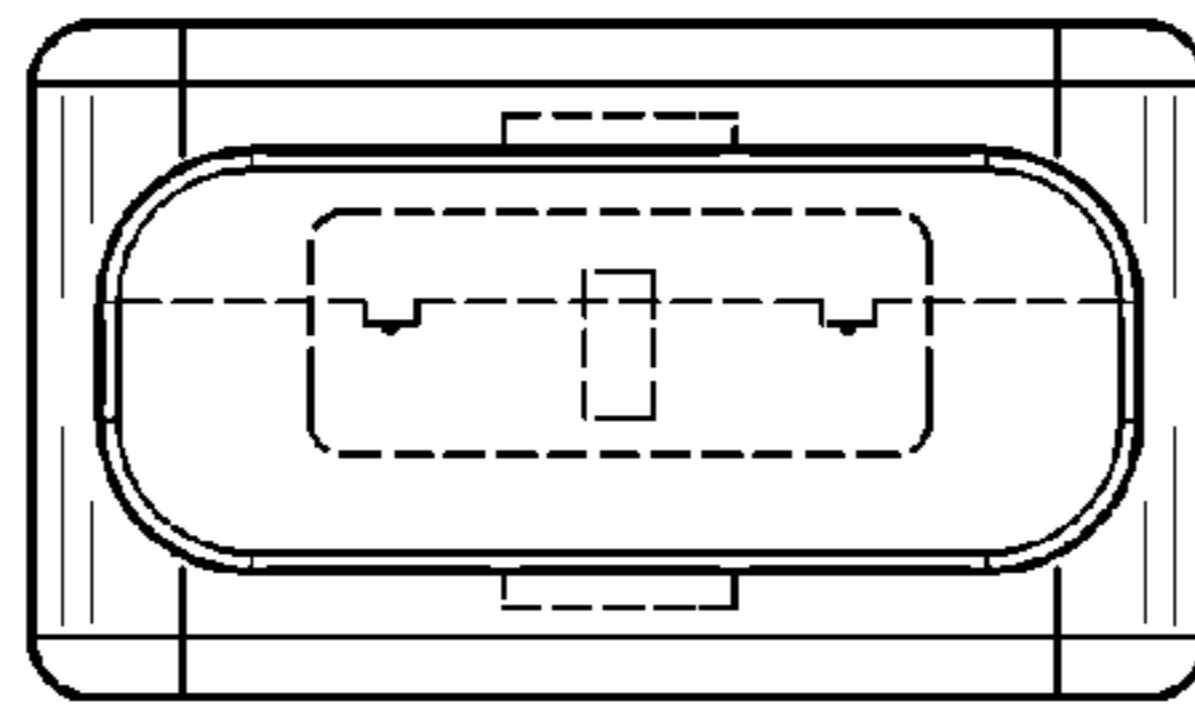


FIG. 4

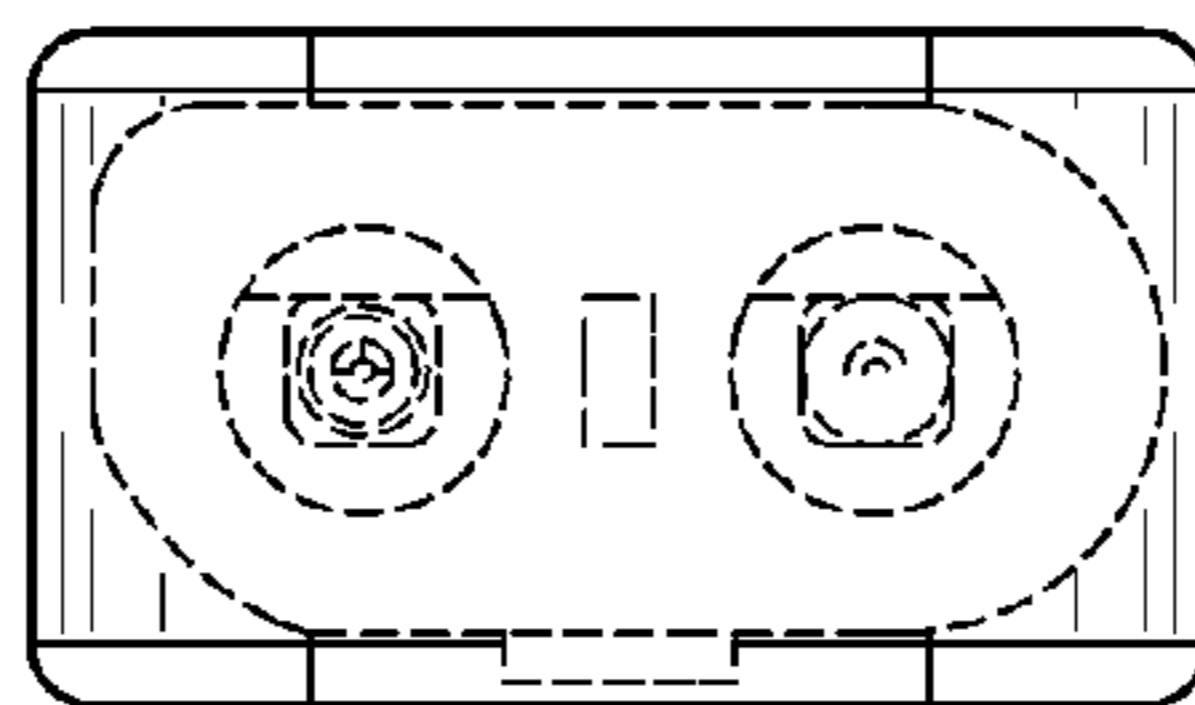


FIG. 5