



US00D746973S

(12) **United States Design Patent**  
**Langohr**

(10) **Patent No.:** **US D746,973 S**

(45) **Date of Patent:** **\*\* Jan. 5, 2016**

- (54) **GAS BURNER**
- (71) Applicant: **Brian Langohr**, San Clemente, CA (US)
- (72) Inventor: **Brian Langohr**, San Clemente, CA (US)
- (\*\*) Term: **14 Years**
- (21) Appl. No.: **29/488,769**
- (22) Filed: **Apr. 23, 2014**
- (51) **LOC (10) Cl.** ..... **23-03**
- (52) **U.S. Cl.**  
USPC ..... **D23/415**
- (58) **Field of Classification Search**  
USPC ..... D23/259-263, 266-269, 233, 415;  
251/215, 216; 285/369, 372, 373, 417,  
285/133.11, 133.3, 133.21, 133.4-133.6;  
431/286  
CPC ..... F16L 11/00; F16L 37/252; F16L 41/007;  
F16L 33/23; F16L 33/28; F16L 33/00; F16L  
33/01; E03C 1/26; E03C 1/262; E03C 1/28;  
E03F 5/04; F24F 13/06; F23D 14/00; F23D  
14/06; F23D 14/10; F23D 14/045; F23D  
14/58  
See application file for complete search history.

- 1,224,157 A \* 5/1917 Fry ..... F23D 14/08  
431/278
- 1,539,324 A \* 5/1925 O'Dowd ..... F23Q 9/045  
431/249
- D83,352 S \* 2/1931 Solon ..... D15/79
- D166,032 S \* 2/1952 DuFault ..... D23/415
- D357,610 S \* 4/1995 Dutro ..... D7/332
- D695,883 S \* 12/2013 Vest ..... D23/415
- D695,884 S \* 12/2013 Adkins ..... D23/415
- D701,301 S \* 3/2014 Adkins ..... D23/415
- D701,598 S \* 3/2014 Adkins ..... D23/415

\* cited by examiner

*Primary Examiner* — Sandra Snapp

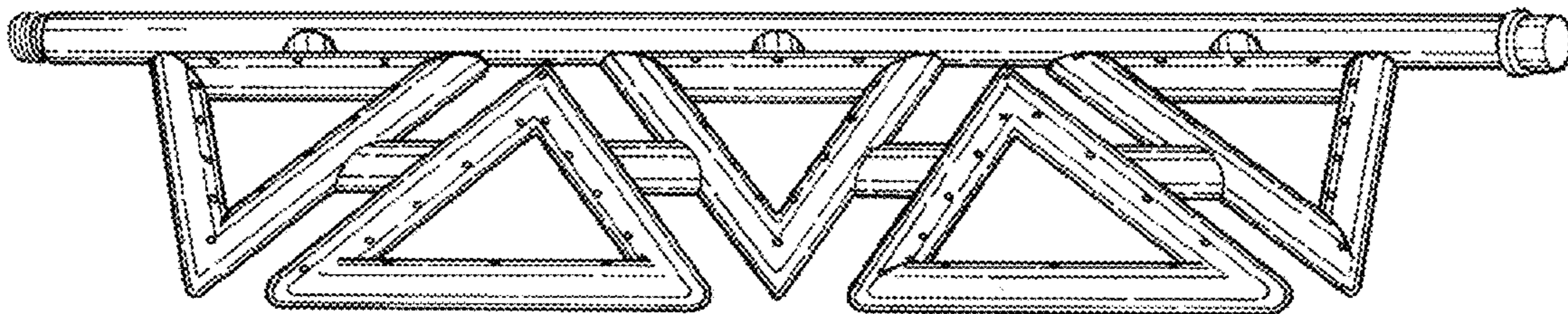
(57) **CLAIM**  
The ornamental design for a gas burner, as shown and described.

**DESCRIPTION**

FIG. 1 is a top view of a first embodiment of a gas burner according to the present design;  
FIG. 2 is a bottom view of the gas burner of FIG. 1;  
FIG. 3 is a front view of the gas burner of FIG. 1;  
FIG. 4 is a back view of the gas burner of FIG. 1;  
FIG. 5 is a right side view of the gas burner of FIG. 1;  
FIG. 6 is a left side view of the gas burner of FIG. 1;  
FIG. 7 is a perspective view of the gas burner of FIG. 1; and,  
FIG. 8 is a perspective view of a second embodiment of a gas burner according to the present design wherein the top, bottom, front, back, right and left side views thereof are mirror images of the corresponding views of the first embodiment shown in FIGS. 1-7.

**1 Claim, 3 Drawing Sheets**

- (56) **References Cited**  
U.S. PATENT DOCUMENTS  
973,498 A \* 10/1910 Geurink ..... F23D 14/00  
126/39 D  
1,130,984 A \* 3/1915 Koch ..... D05B 75/06  
239/407



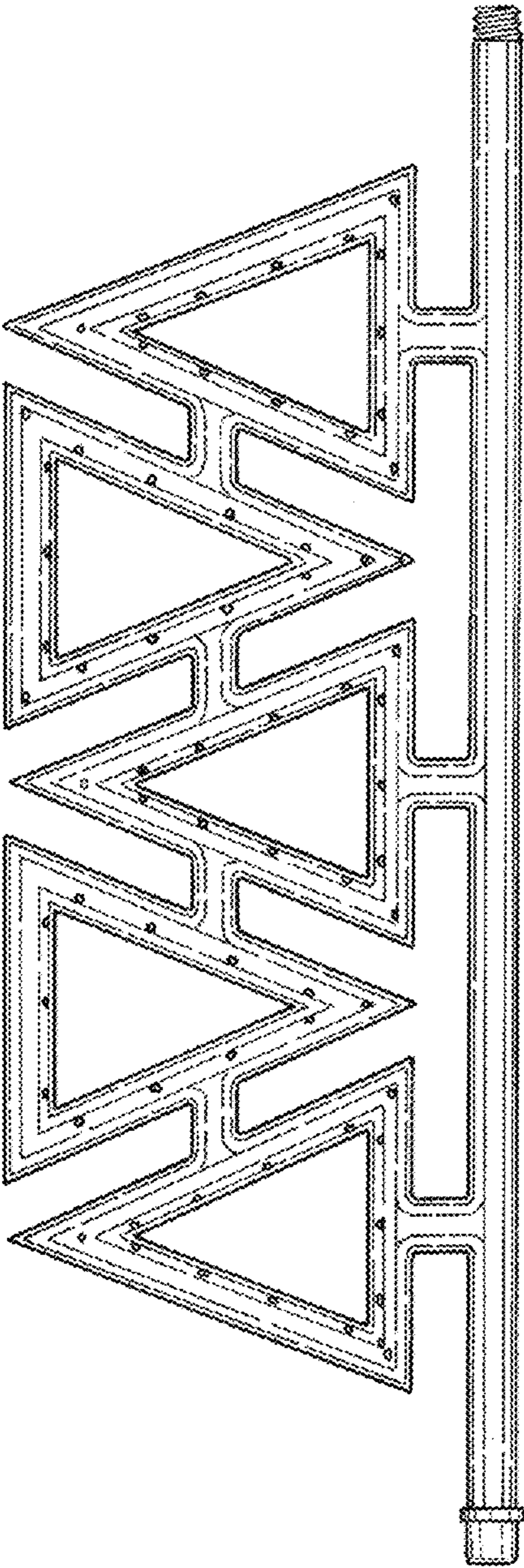


FIG.1

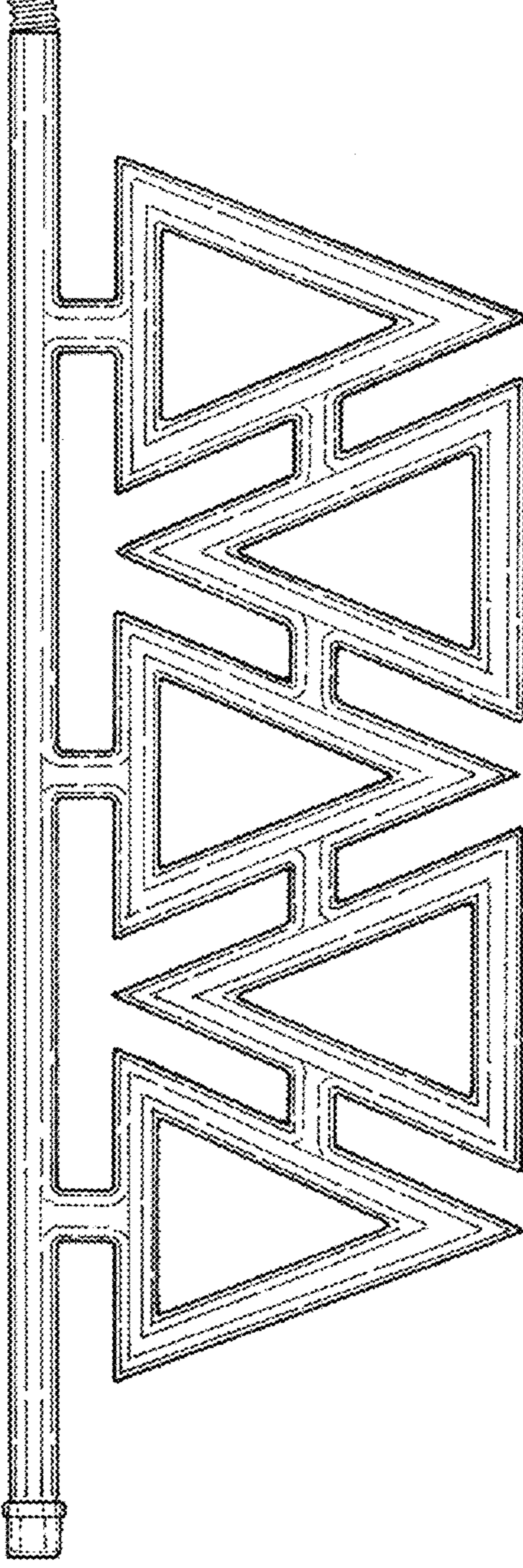


FIG.2

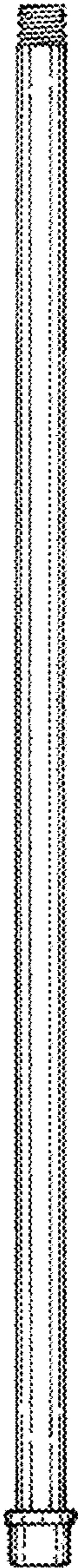


FIG. 3



FIG. 4

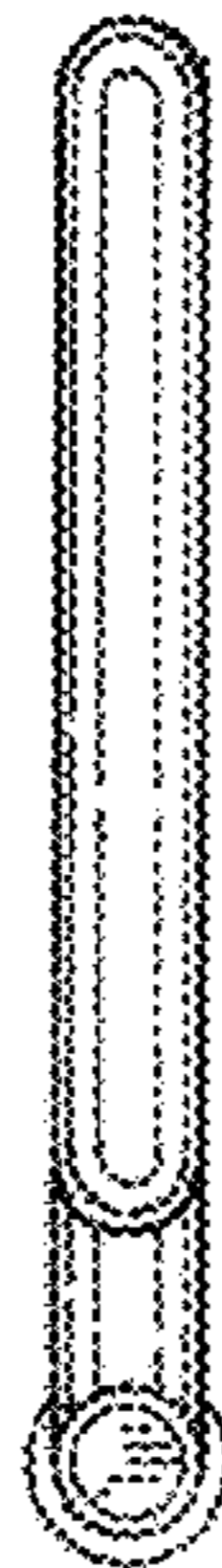


FIG. 5

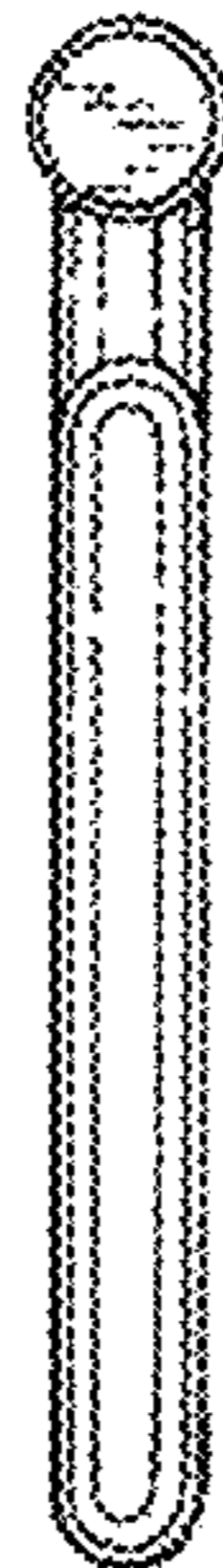


FIG. 6

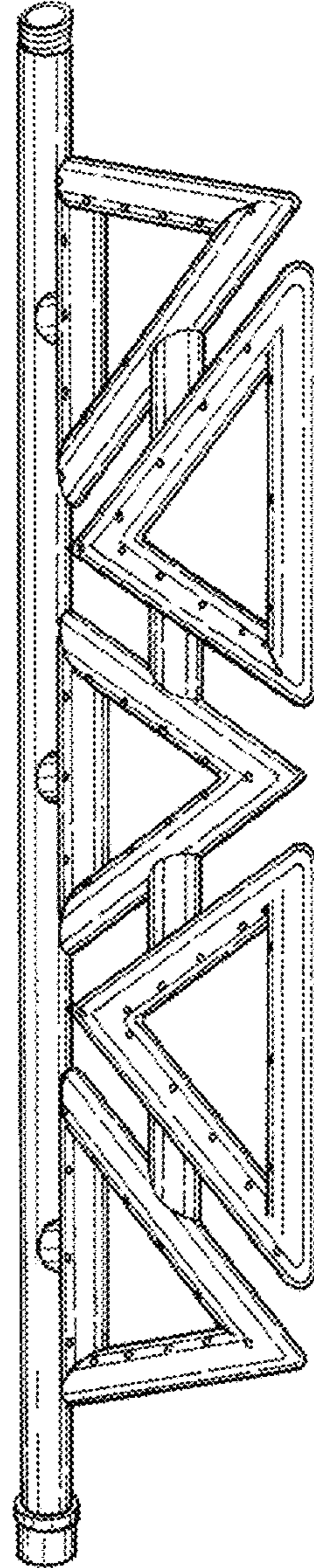


FIG. 7

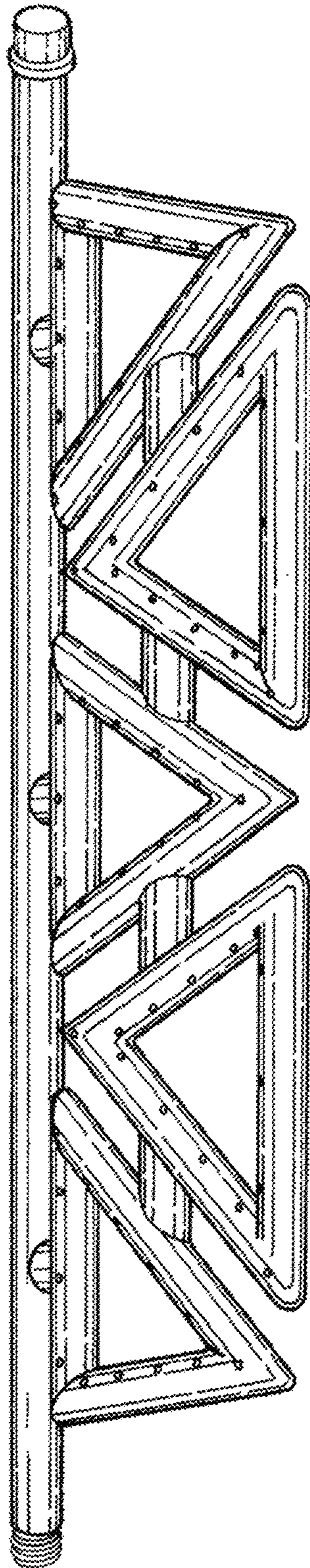


FIG.8