



US00D746972S

(12) **United States Design Patent**  
**Aruga**

(10) **Patent No.:** **US D746,972 S**  
(45) **Date of Patent:** **\*\* Jan. 5, 2016**

(54) **OUTLET OF AIR CONDITIONING FOR AIRCRAFT**

(71) Applicant: **mitsubishi aircraft CORPORATION**, Nagoya-shi, Aichi (JP)

(72) Inventor: **Hiroyasu Aruga**, Tokyo (JP)

(73) Assignee: **mitsubishi aircraft CORPORATION**, Aichi (JP)

(\*\*) Term: **14 Years**

(21) Appl. No.: **29/458,268**

(22) Filed: **Jun. 18, 2013**

(51) **LOC (10) Cl.** ..... **23-04**

(52) **U.S. Cl.**  
USPC ..... **D23/393**

(58) **Field of Classification Search**  
USPC ..... D23/388–393, 342, 366, 356, 385, 370, D23/371, 351, 354, 386; 454/309, 275–277, 454/284, 287; D26/118, 72, 152; D12/319, D12/345  
CPC . B64D 13/00; B64D 2013/003; B64D 13/006  
See application file for complete search history.

(56) **References Cited**

U.S. PATENT DOCUMENTS

D203,484 S *	1/1966	Rousey	.....	D23/373
D263,070 S *	2/1982	Metz et al.	.....	D23/399
D373,417 S *	9/1996	Lee	.....	D23/386
6,273,592 B1 *	8/2001	Herst et al.	.....	362/342
6,402,345 B1 *	6/2002	Fishman	.....	362/291
D490,876 S *	6/2004	Okazaki et al.	.....	D23/209

D561,384 S *	2/2008	Hukle et al.	.....	D26/120
D572,358 S *	7/2008	Natgrass et al.	.....	D23/397
D602,579 S *	10/2009	Stone	.....	D23/373
D605,281 S *	12/2009	Kern	.....	D23/388
D620,570 S *	7/2010	Thomas	.....	D23/342
D654,161 S *	2/2012	Holland et al.	.....	D23/373
2013/0153764 A1 *	6/2013	Momomura et al.	.....	250/324

\* cited by examiner

*Primary Examiner* — David Muller

*Assistant Examiner* — Nathan Johnston

(74) *Attorney, Agent, or Firm* — Birch, Stewart, Kolasch & Birch, LLP

(57) **CLAIM**

The ornamental design for an outlet of air conditioning for aircraft, as shown and described.

**DESCRIPTION**

FIG. 1 is a perspective view of an outlet of air conditioning for aircraft according to my new ornamental design.

FIG. 2 is a front elevation view thereof.

FIG. 3 is a rear elevation view thereof.

FIG. 4 is a top plan view thereof.

FIG. 5 is a bottom plan view thereof.

FIG. 6 is a left side elevation view thereof.

FIG. 7 is a right side elevation view thereof.

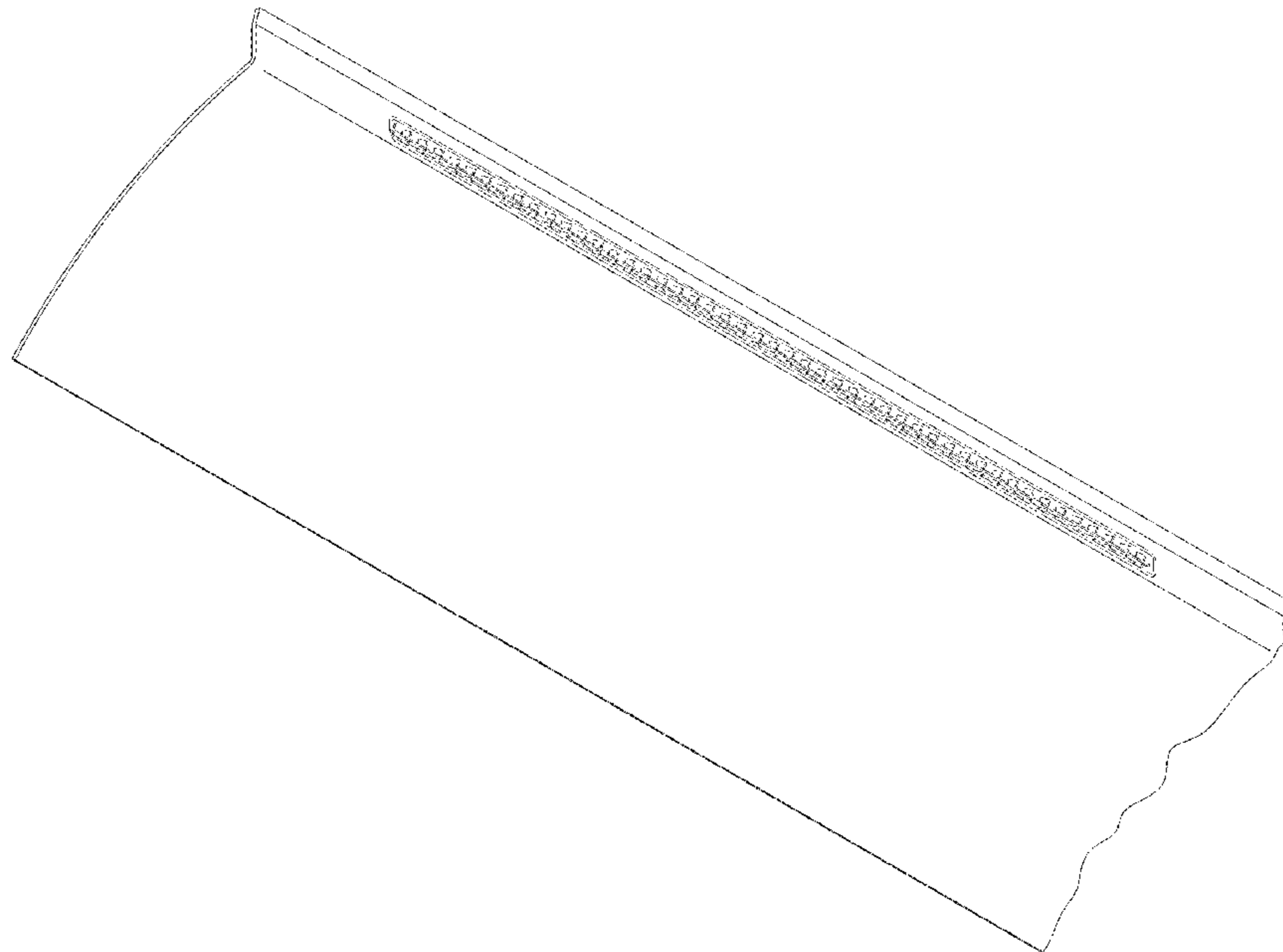
FIG. 8 is an enlarged cross-sectional view taken along the line 8-8 in FIG. 2.

FIG. 9 is an enlarged cross-sectional view taken along the line 9-9 in FIG. 2; and,

FIG. 10 is a referential view showing use thereof.

The outlet of air conditioning for aircraft is shown with a symbolic break in its length on one end. The appearance of any portion of the article outside the break lines forms no part of the claimed design.

**1 Claim, 9 Drawing Sheets**



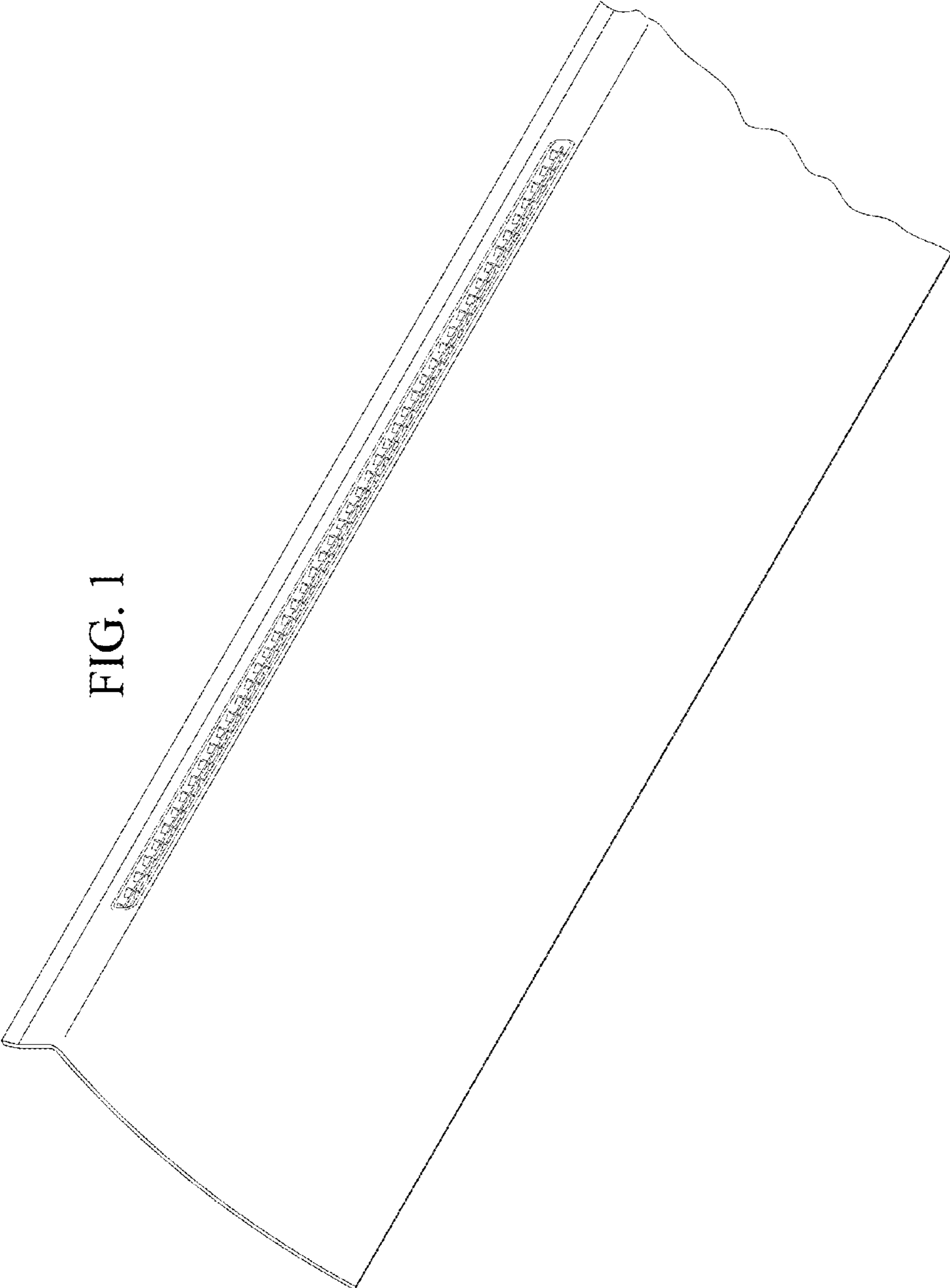


FIG. 1

FIG. 2

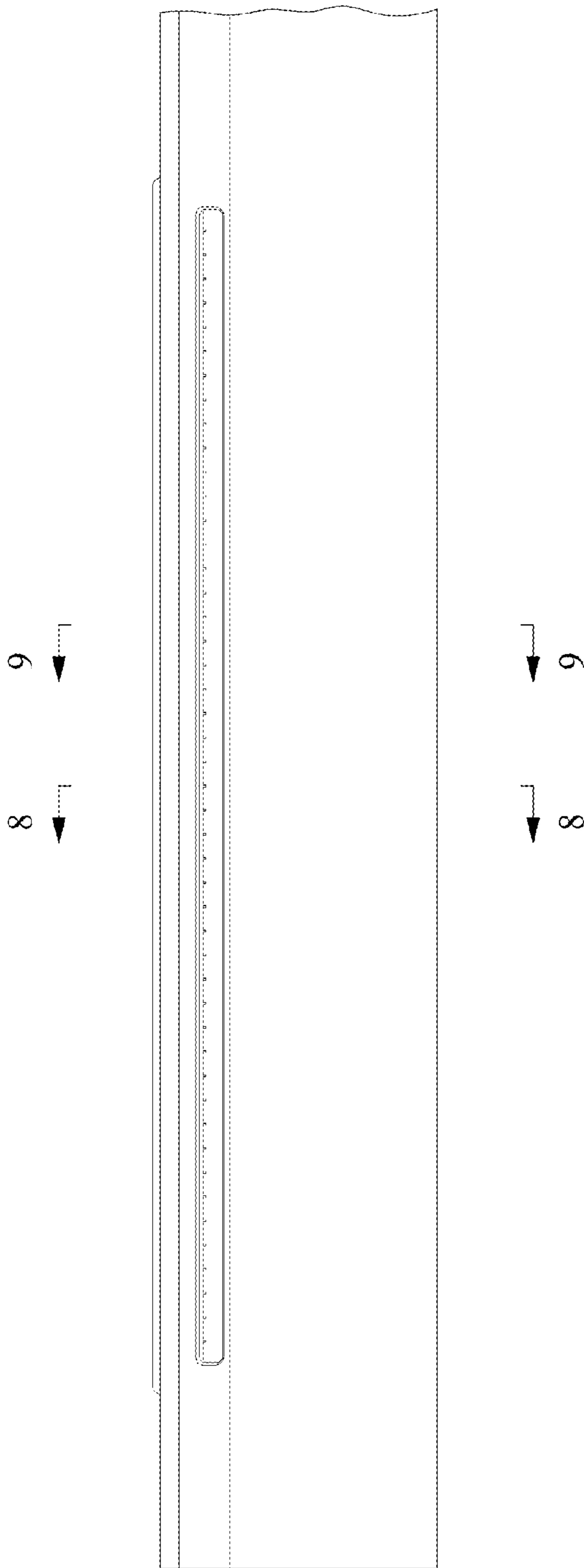


FIG. 3

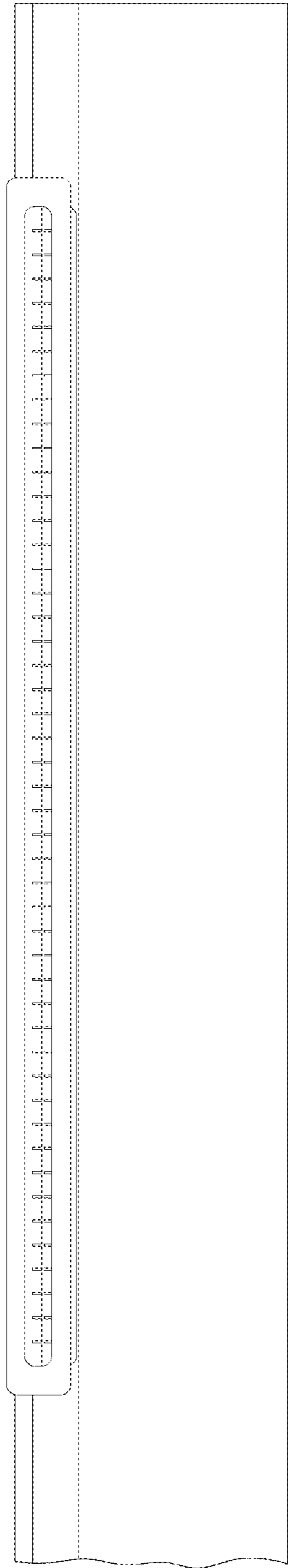


FIG. 4

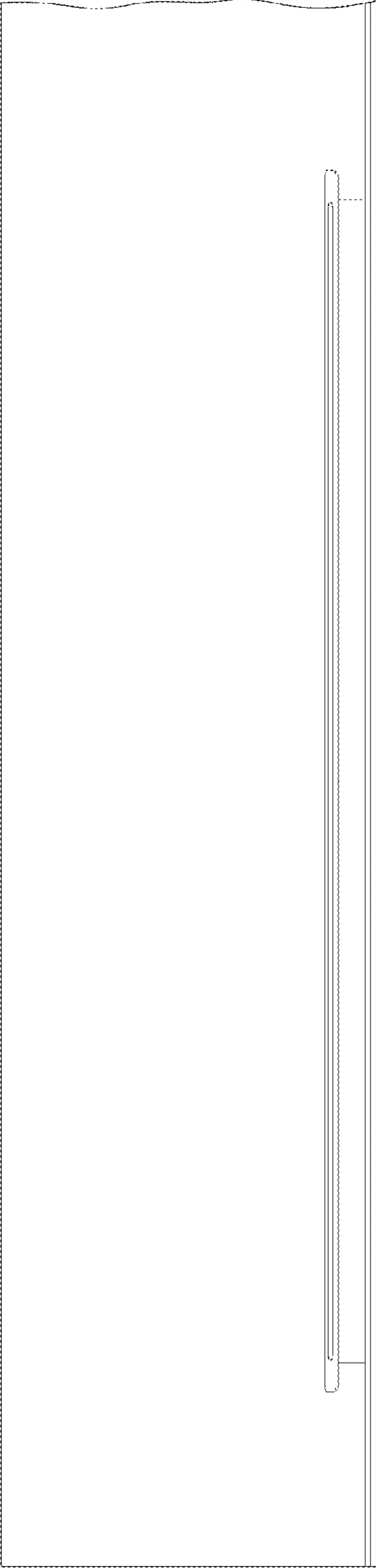


FIG. 5

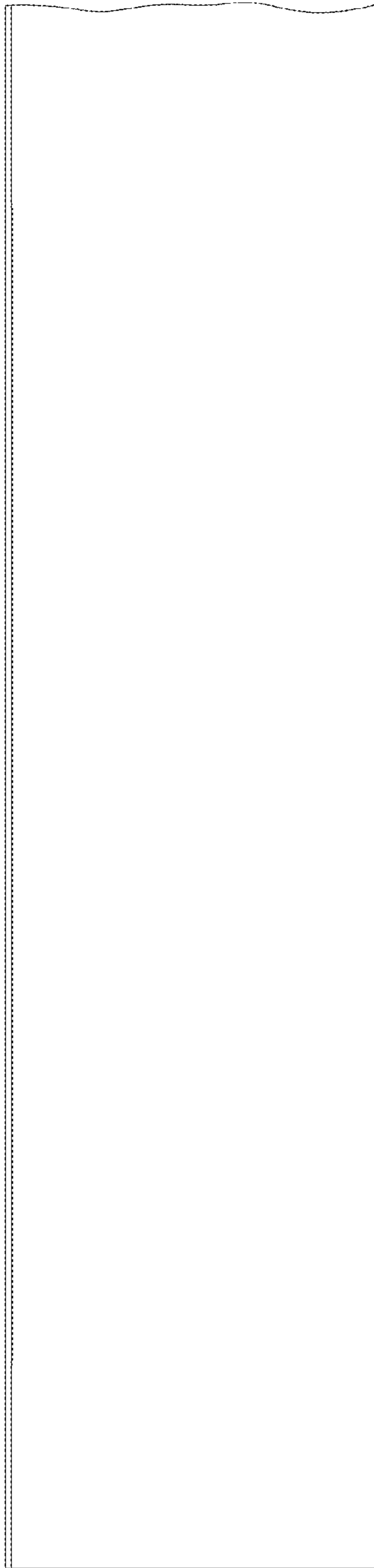


FIG. 7

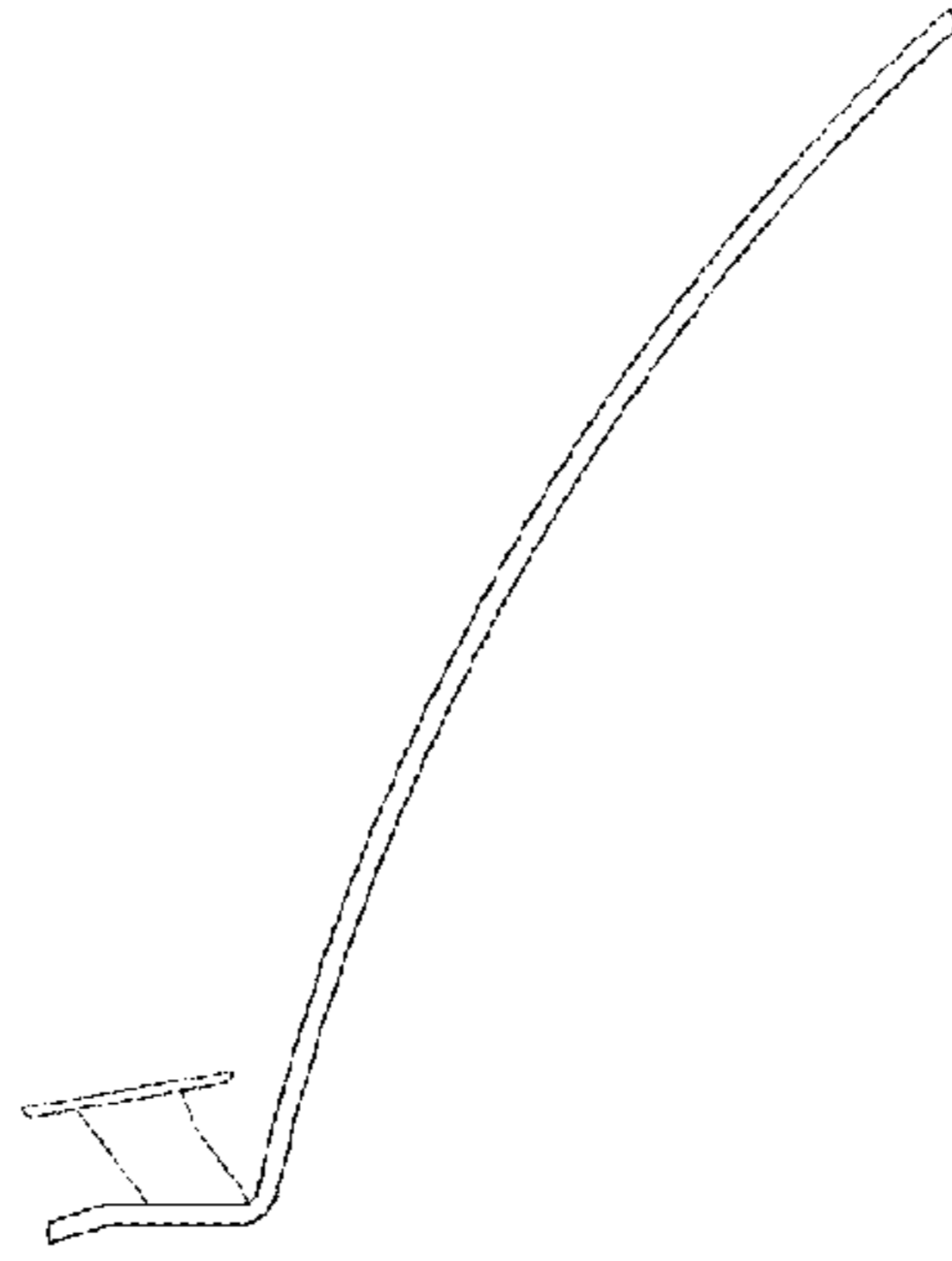


FIG. 6

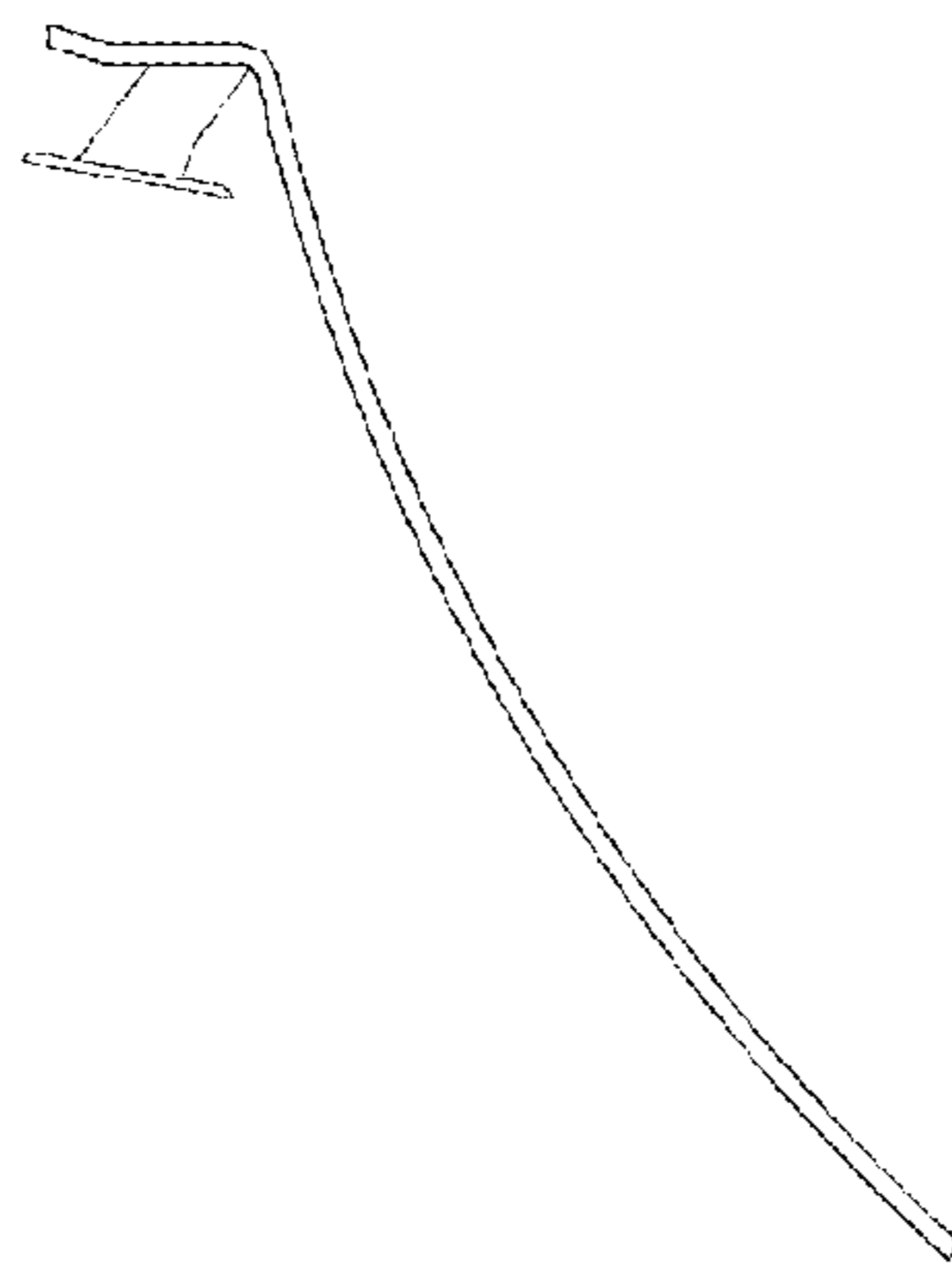


FIG. 8

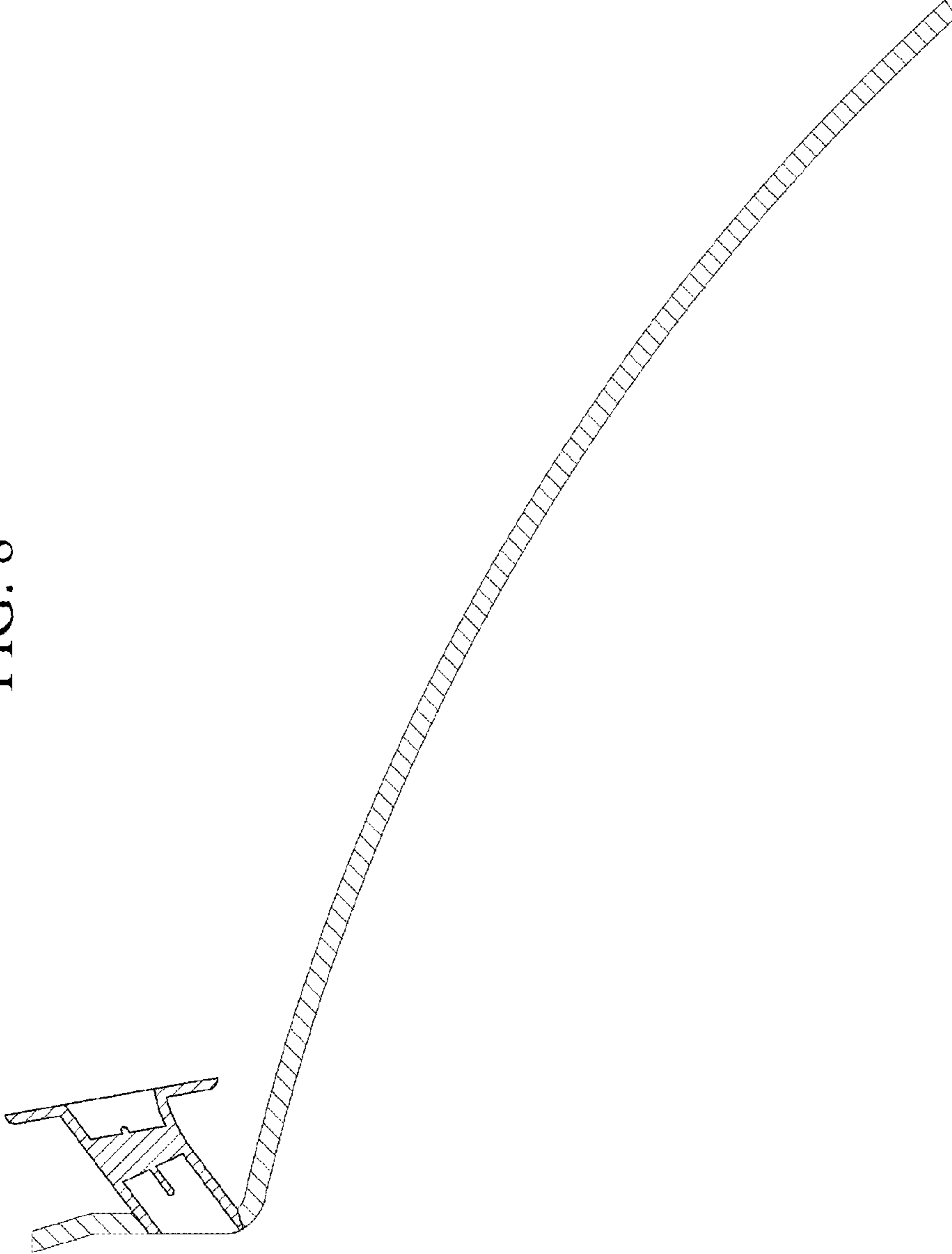




FIG. 9

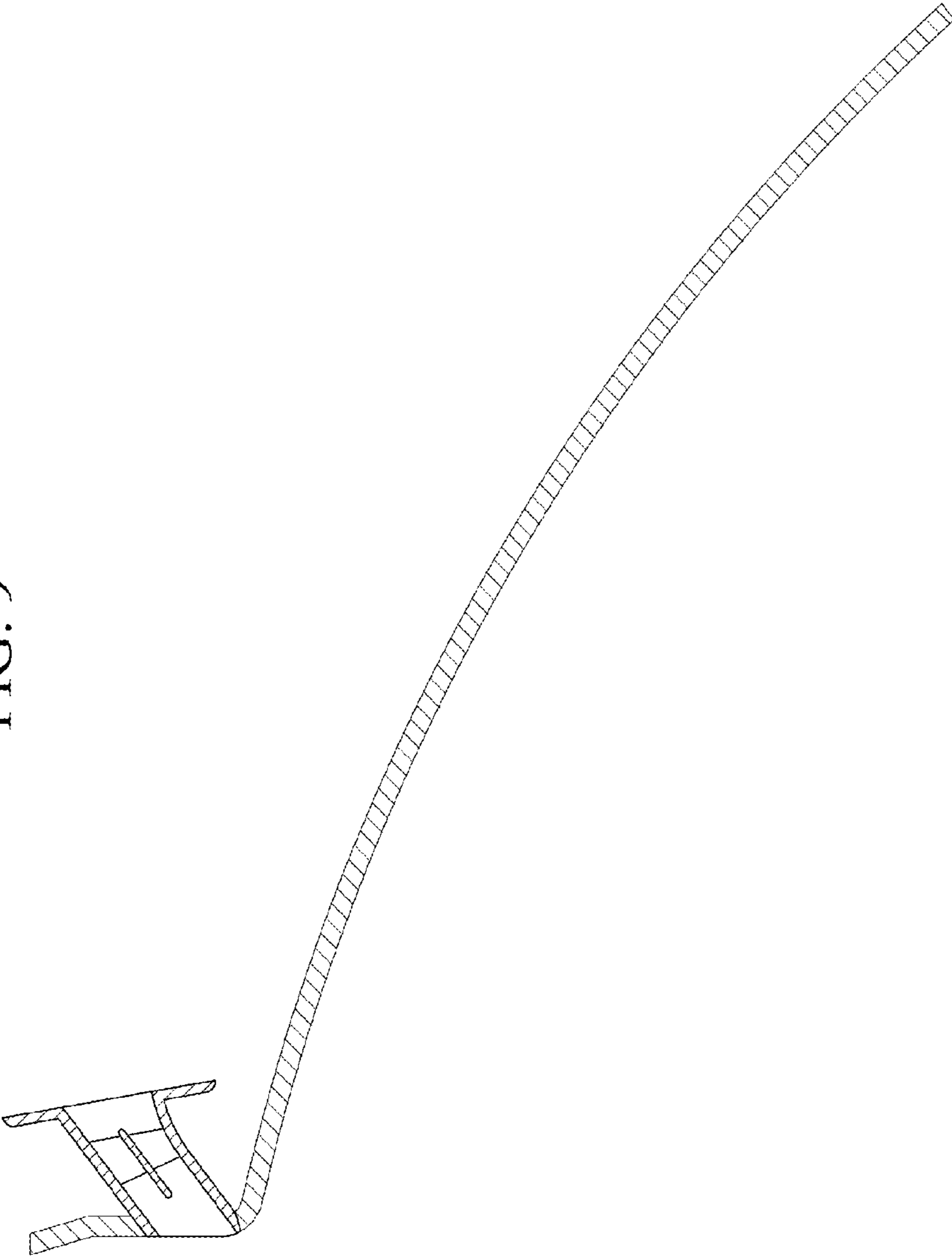


FIG. 10

