



US00D746971S

(12) **United States Design Patent**
Avedon

(10) **Patent No.:** **US D746,971 S**
(45) **Date of Patent:** **** Jan. 5, 2016**

- (54) **AIR MOVING DEVICE**
- (71) Applicant: **AIRIUS IP HOLDINGS, LLC**,
Longmont, CO (US)
- (72) Inventor: **Raymond B. Avedon**, Boulder, CO (US)
- (73) Assignee: **AIRIUS IP HOLDINGS, LLC**,
Longmont, CO (US)

D325,628	S	4/1992	Cho	
5,121,675	A	6/1992	Muller et al.	
5,191,618	A	3/1993	Hisey	
D340,765	S	10/1993	Joss et al.	
5,358,443	A	10/1994	Mitchell et al.	
5,399,119	A	3/1995	Birk et al.	
5,439,352	A *	8/1995	Line	416/170 R
5,664,872	A	9/1997	Spearman et al.	
6,352,473	B1	3/2002	Clark	
6,700,266	B2 *	3/2004	Winkel et al.	310/112

(Continued)

- (**) Term: **14 Years**
- (21) Appl. No.: **29/480,920**
- (22) Filed: **Jan. 30, 2014**

FOREIGN PATENT DOCUMENTS

CN	101592328	11/2009
GB	981188	1/1960

(Continued)

Related U.S. Application Data

- (63) Continuation of application No. 29/422,031, filed on May 15, 2012, now Pat. No. Des. 698,916.
- (51) **LOC (10) Cl.** **23-04**
- (52) **U.S. Cl.**
USPC **D23/379**
- (58) **Field of Classification Search**
USPC D23/370-385, 411-414, 365; 415/60,
415/66, 68, 208.1, 213.1, 214.1, 209.3;
310/257; 361/695; 126/299 D, 299 R
CPC F01D 9/042; F04D 25/08
See application file for complete search history.

Primary Examiner — Susan Bennett Hattan

Assistant Examiner — Janice Hallmark

(74) *Attorney, Agent, or Firm* — Knobbe, Martens, Olson & Bear, LLP

(57) **CLAIM**

The ornamental design for an air moving device, as shown and described.

DESCRIPTION

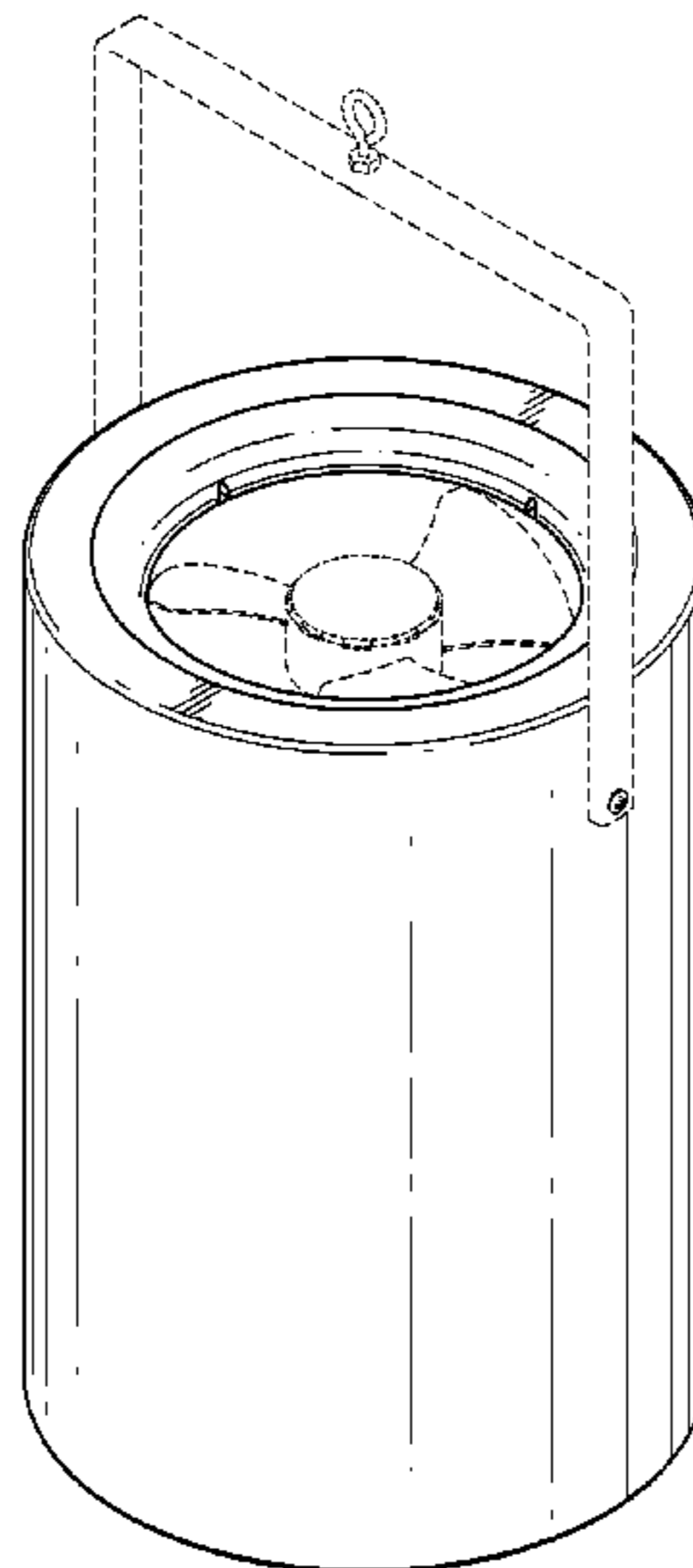
FIG. 1 is a front, left, and top side perspective view of an air moving device embodying our new design;
 FIG. 2 is a front side elevational view thereof;
 FIG. 3 is a back side elevational view thereof;
 FIG. 4 is a left side elevational view thereof;
 FIG. 5 is a right side elevational view thereof;
 FIG. 6 is a top plan view thereof;
 FIG. 7 is a bottom plan view thereof; and,
 FIG. 8 is a back, left, and bottom side perspective view thereof.
 Broken lines are used to illustrate features of the air moving device which form no part of the claimed design.

(56) **References Cited**

U.S. PATENT DOCUMENTS

D152,397	S	11/1949	Damond
D195,287	S	5/1963	Downing
3,927,300	A	12/1975	Wada et al.
D256,273	S	8/1980	Townsend et al.
4,473,000	A	9/1984	Perkins
4,662,912	A	5/1987	Perkins
4,794,851	A	1/1989	Kurrle
D308,416	S	6/1990	Brumbach
5,078,574	A	1/1992	Olsen

1 Claim, 7 Drawing Sheets



(56)

References Cited

U.S. PATENT DOCUMENTS

D514,688 S 2/2006 Avedon
7,044,849 B2 5/2006 Dippel
7,320,636 B2 1/2008 Seliger et al.
7,381,129 B2 6/2008 Avedon
7,467,931 B2 12/2008 O'Toole
D631,148 S 1/2011 Benton et al.
8,052,386 B1 * 11/2011 Fitzpatrick et al. 415/218.1
D672,863 S 12/2012 Romeo Carreras
D681,184 S 4/2013 Romeo Carreras
8,596,596 B2 * 12/2013 Naji et al. 248/224.7
D698,916 S * 2/2014 Avedon D23/379
8,967,983 B2 * 3/2015 Kampf 417/360

8,992,174 B2 * 3/2015 Chang 415/206
2005/0159101 A1 7/2005 Hrdina et al.
2008/0227381 A1 9/2008 Avedon
2010/0266400 A1 * 10/2010 Avedon 415/209.3
2011/0037368 A1 2/2011 Huang
2012/0195749 A1 8/2012 Avedon

FOREIGN PATENT DOCUMENTS

GB 2468504 9/2010
JP 2001-193979 7/2001
JP 2002-349489 12/2002
KR 2003-0025428 3/2003

* cited by examiner

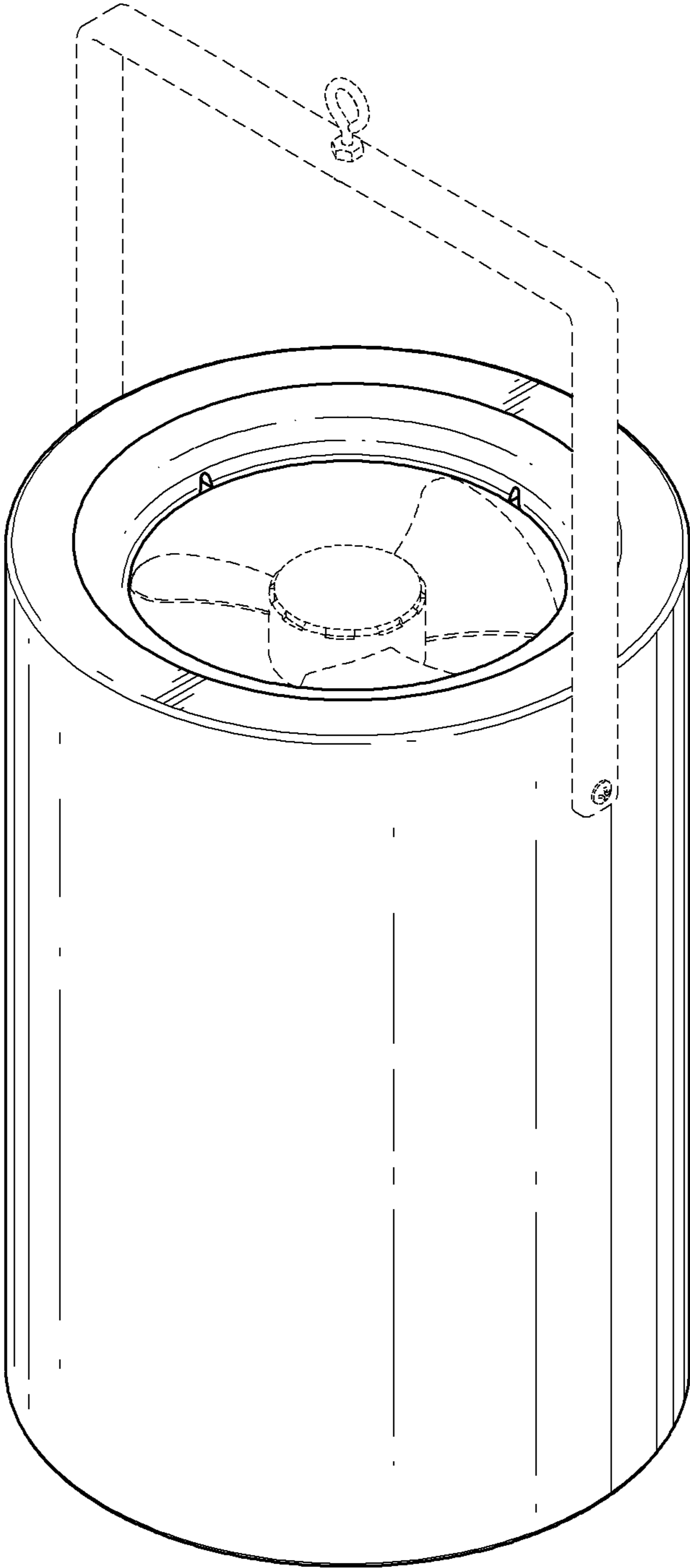


FIG. 1

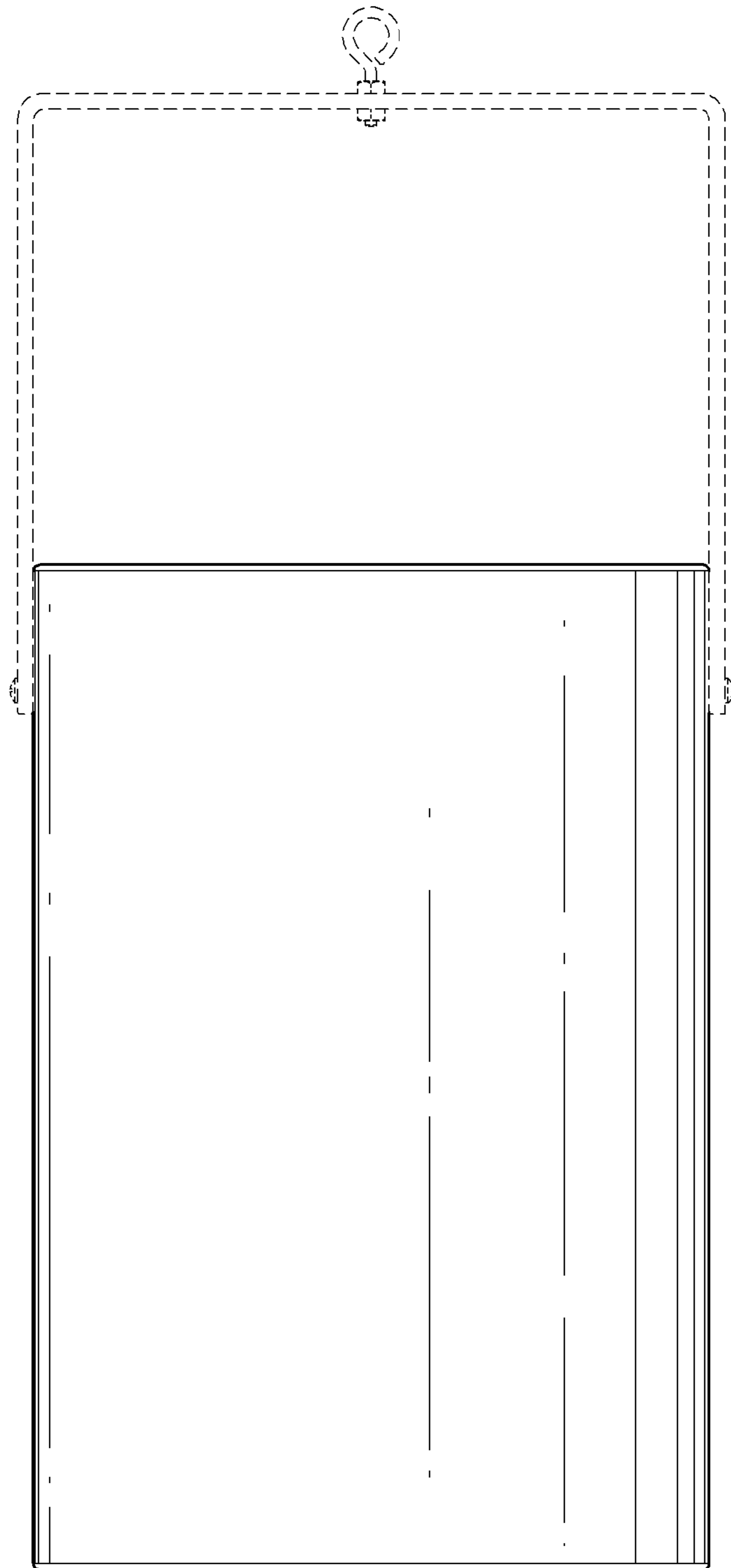


FIG. 2

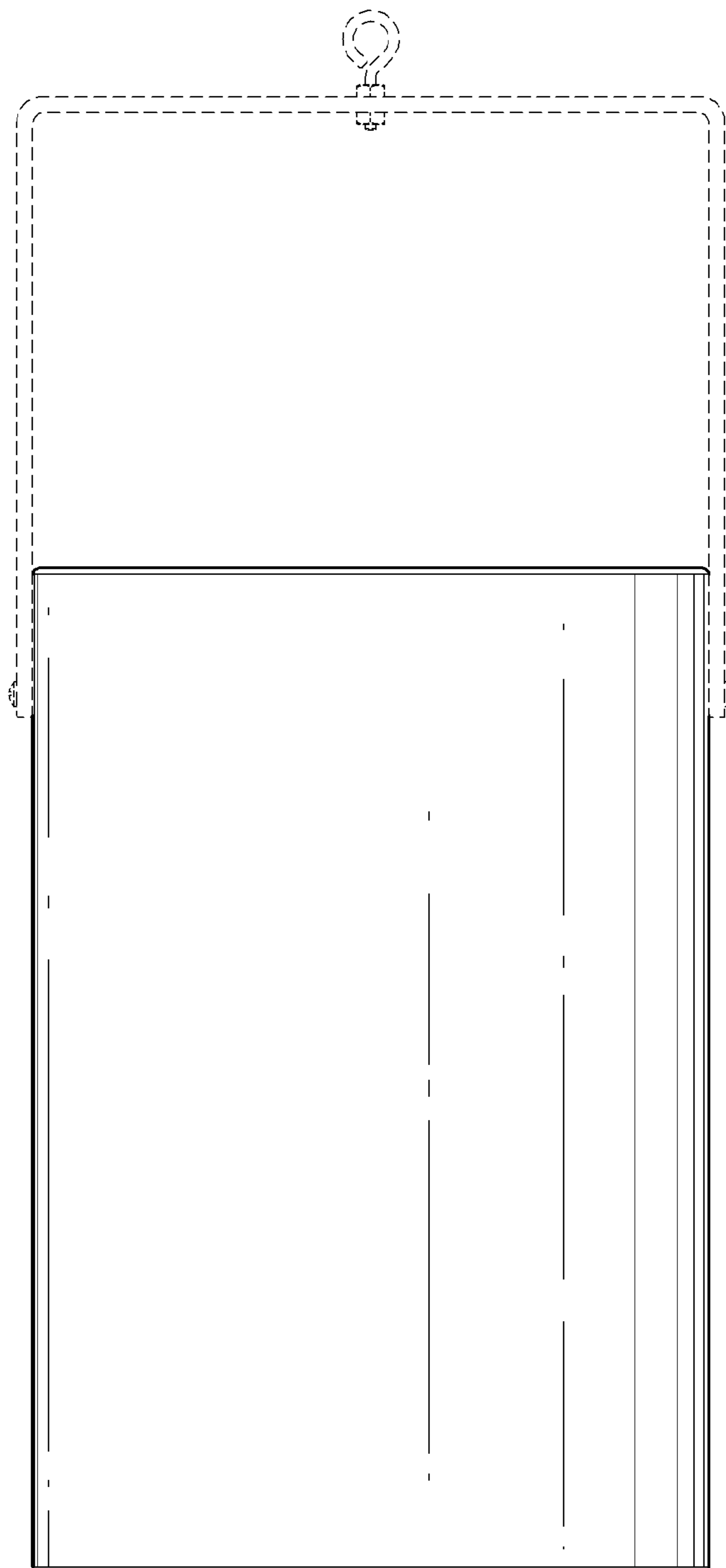


FIG. 3

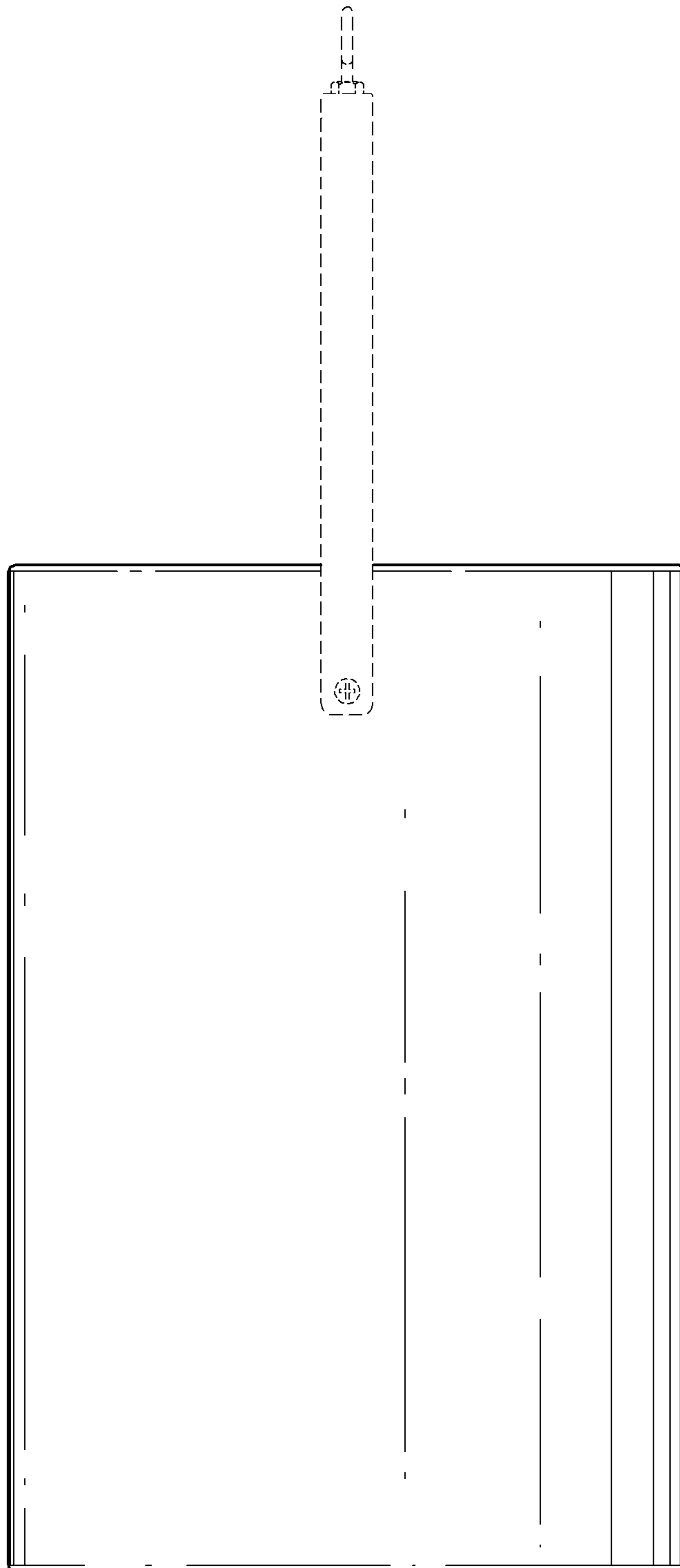


FIG. 4

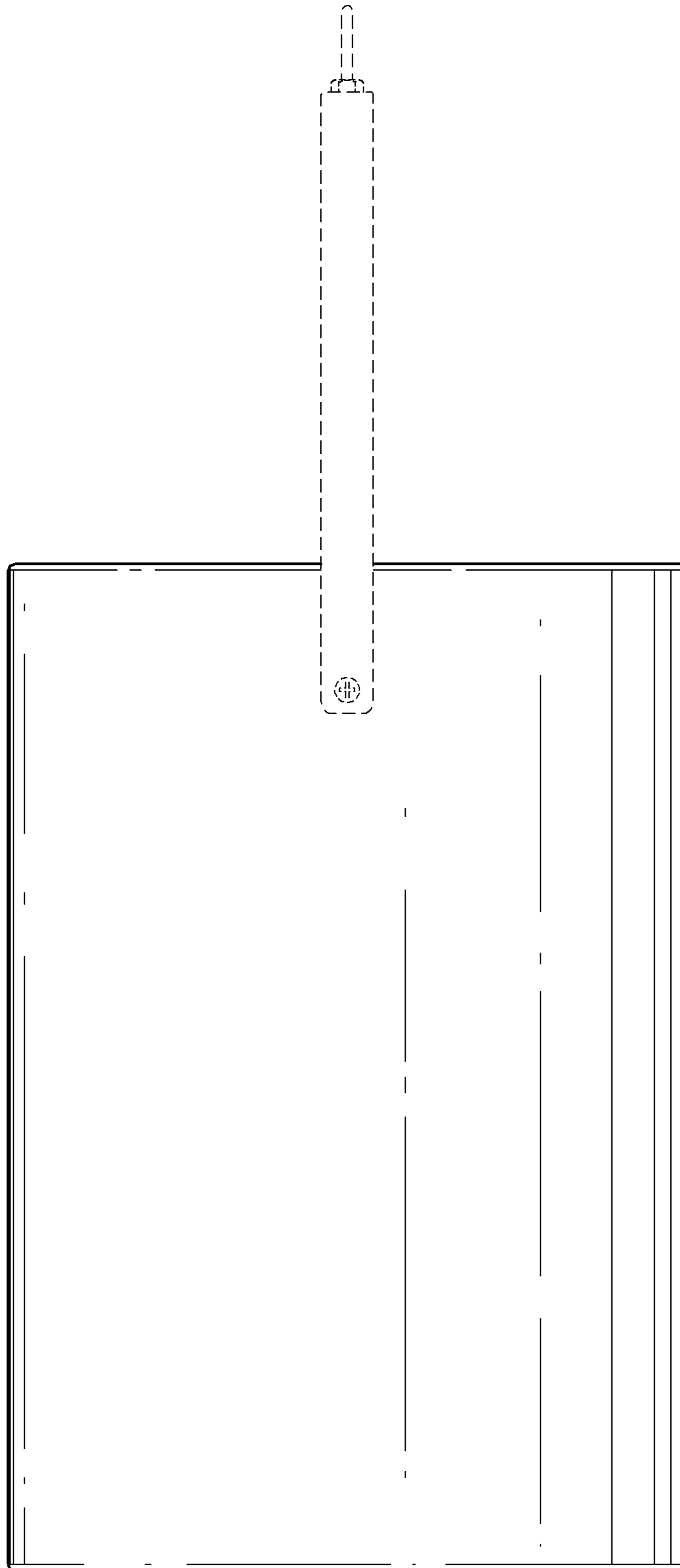


FIG. 5

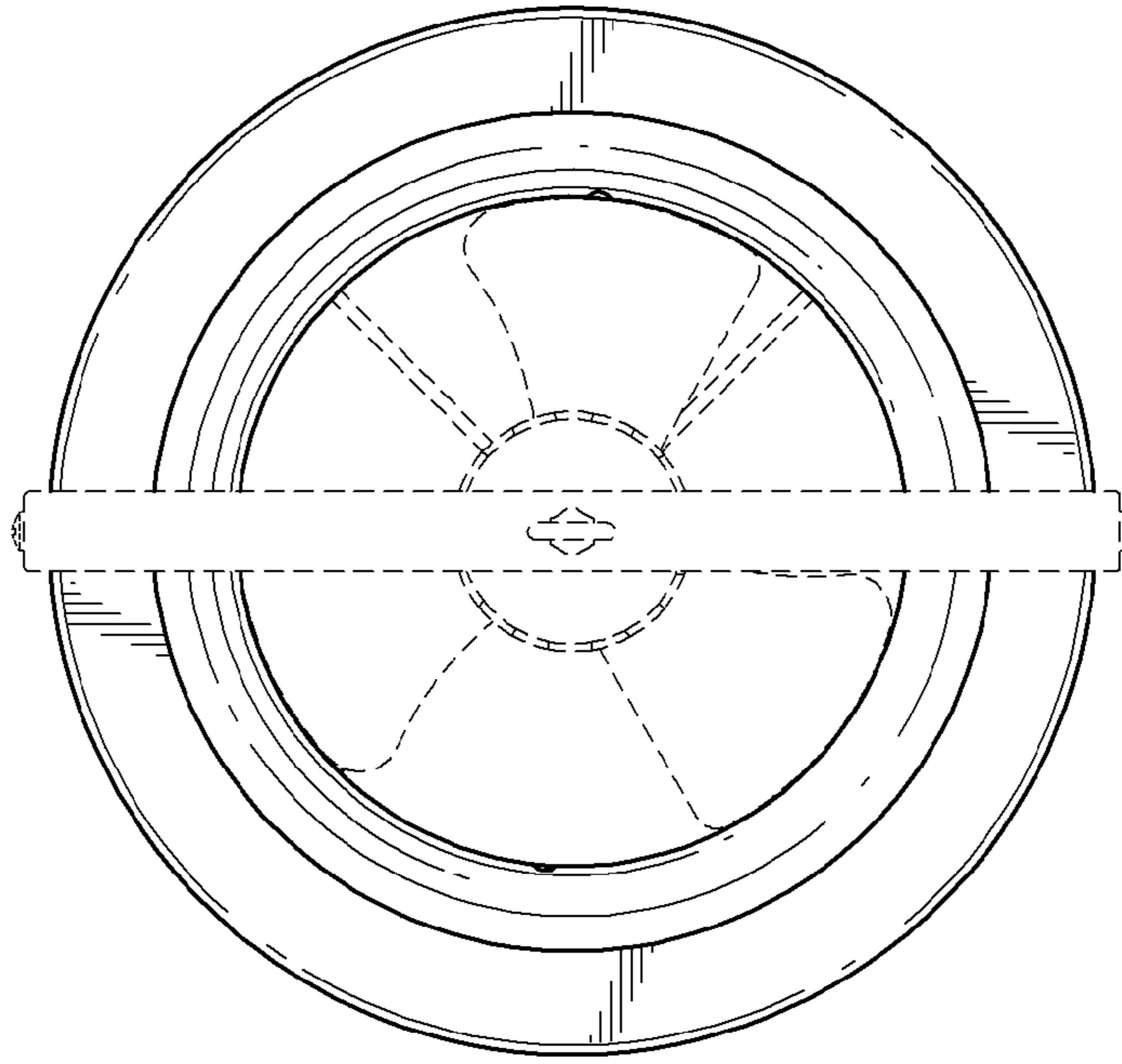


FIG. 6

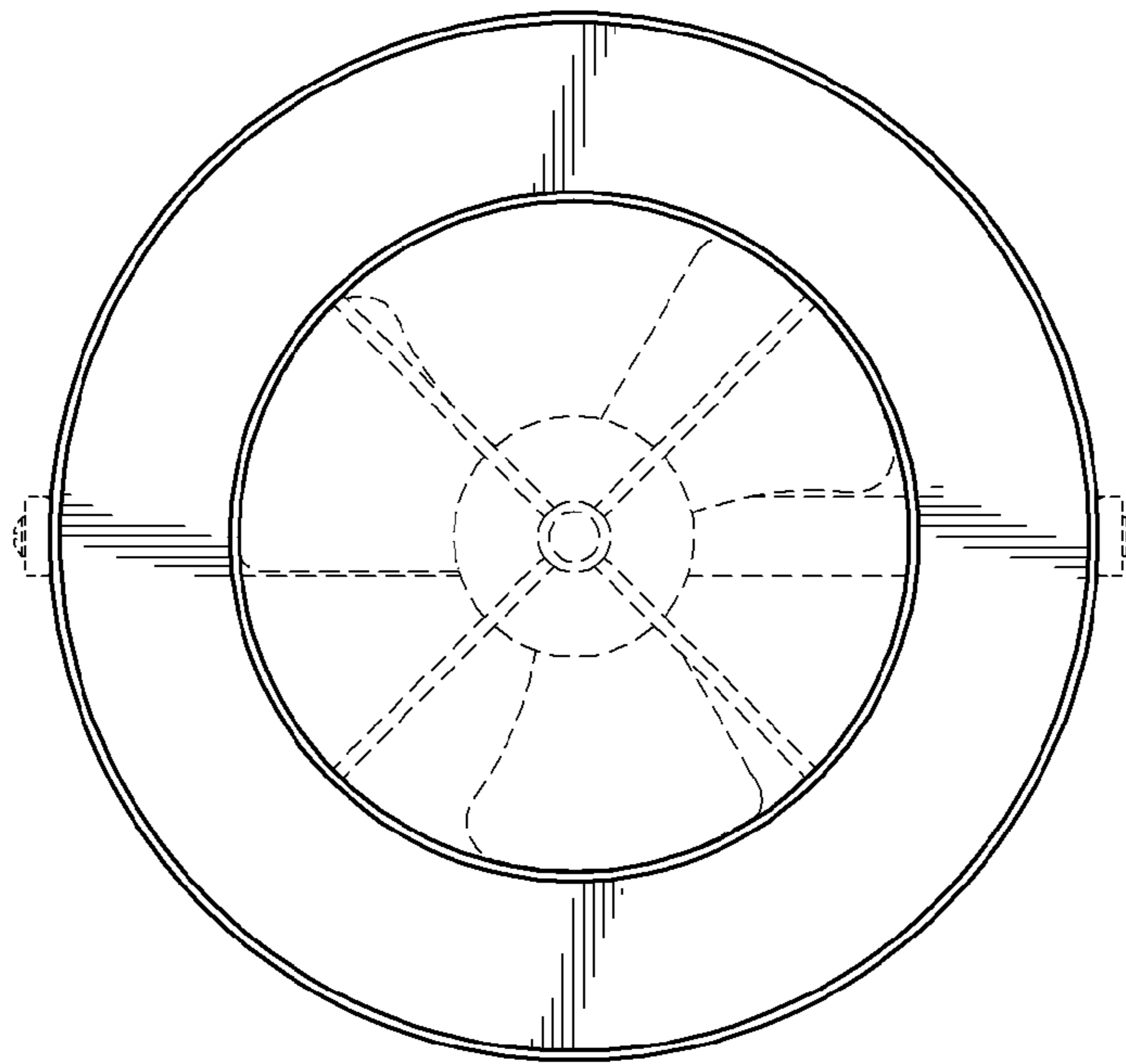


FIG. 7

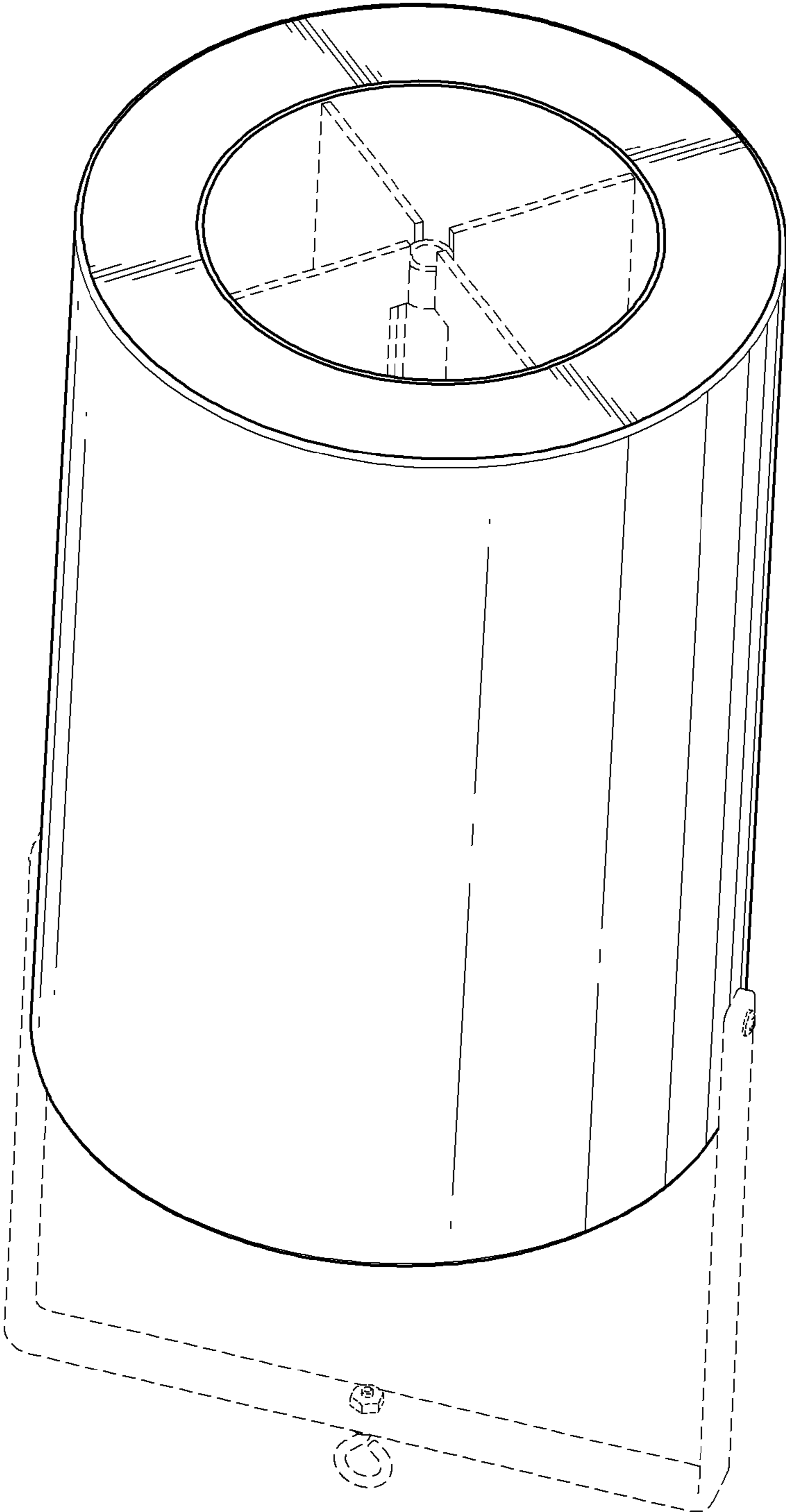


FIG. 8