



US00D746965S

(12) **United States Design Patent**
Stovall

(10) **Patent No.:** **US D746,965 S**
(45) **Date of Patent:** **** Jan. 5, 2016**

- (54) **TOILET SEAT URINATION GUARD**
- (71) Applicant: **Cecil Stovall**, Indianapolis, IN (US)
- (72) Inventor: **Cecil Stovall**, Indianapolis, IN (US)
- (**) Term: **14 Years**
- (21) Appl. No.: **29/515,359**
- (22) Filed: **Jan. 22, 2015**
- (51) **LOC (10) Cl.** **23-02**
- (52) **U.S. Cl.**
USPC **D23/310**
- (58) **Field of Classification Search**
USPC D23/310, 311, 296, 299, 303, 309, 295;
D24/122-123, 132
CPC A47K 13/00; A47K 13/06; A47K 13/005;
A47K 13/24; A47K 13/28
See application file for complete search history.

5,778,460 A * 7/1998 Doell A47K 13/06
4/237
D457,623 S * 5/2002 Workman D24/122
6,408,447 B1 * 6/2002 Burbank A47K 13/24
4/300.3
7,043,773 B2 * 5/2006 McAleenan, Jr. A47K 13/24
4/144.1
D660,406 S * 5/2012 Thom D23/310

* cited by examiner

Primary Examiner — Robert Delehanty
(74) *Attorney, Agent, or Firm* — Crossley Patent Law

(57) **CLAIM**
The ornamental design for a toilet seat urination guard, as shown and described.

DESCRIPTION

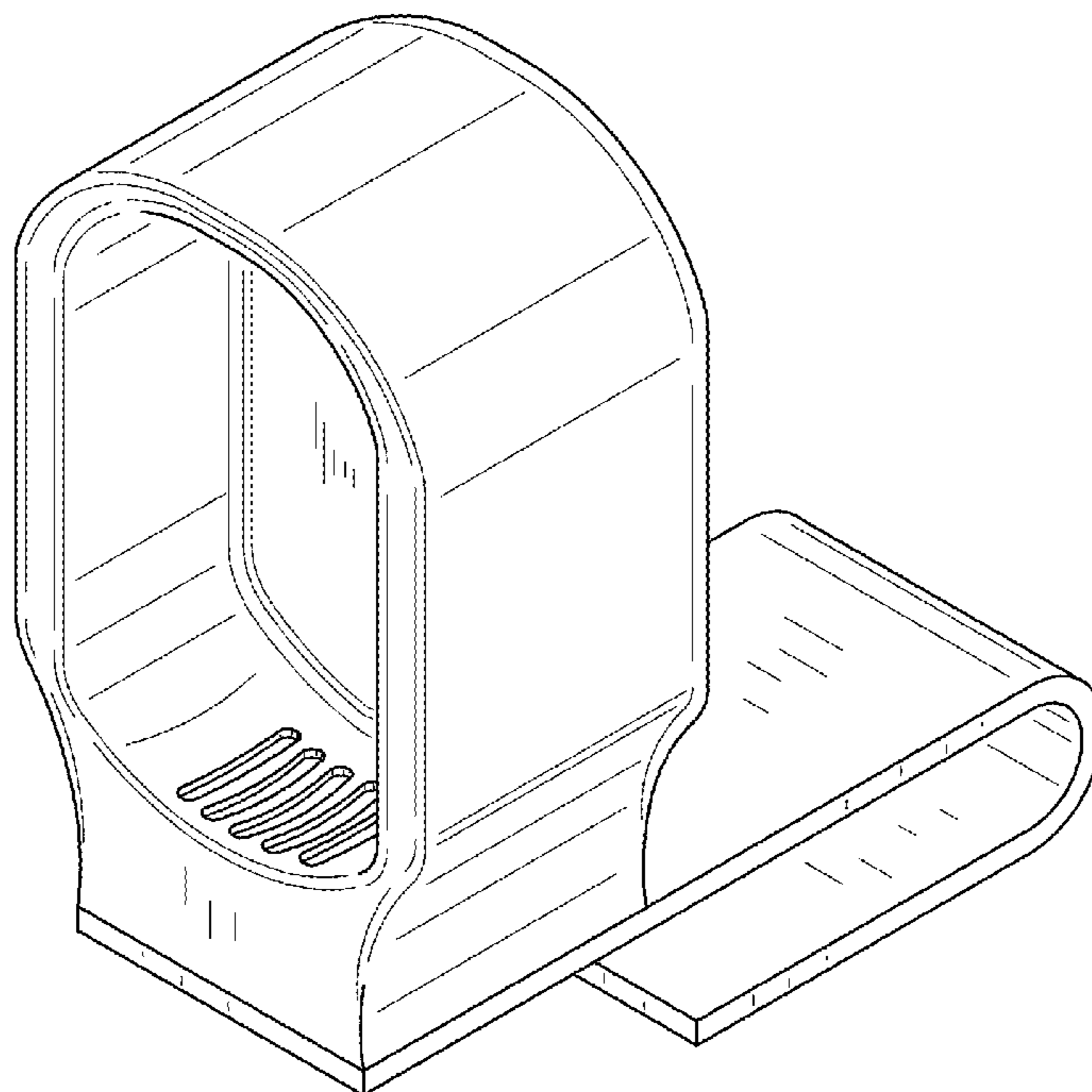
FIG. 1 is a front elevation view of a toilet seat urination guard showing my new design;
FIG. 2 is a rear elevation view thereof;
FIG. 3 is a right side elevation view thereof, the opposite side being a mirror image of the shown;
FIG. 4 is a top plan view thereof;
FIG. 5 is a bottom plan view thereof;
FIG. 6 is a front isometric view thereof; and,
FIG. 7 is a rear isometric view thereof.
The broken lines in FIG. 7 of the drawings depict a toilet as environmental subject matter only and form no part of the claimed design.

1 Claim, 5 Drawing Sheets

(56) **References Cited**

U.S. PATENT DOCUMENTS

2,100,774	A	11/1937	De Puy et al.	
2,930,050	A	3/1960	Dobreff	
4,160,295	A *	7/1979	Putyra E03D 9/00 4/420
4,612,676	A *	9/1986	Whitman E03D 13/00 4/300.3
4,716,602	A	1/1988	Brickhouse	



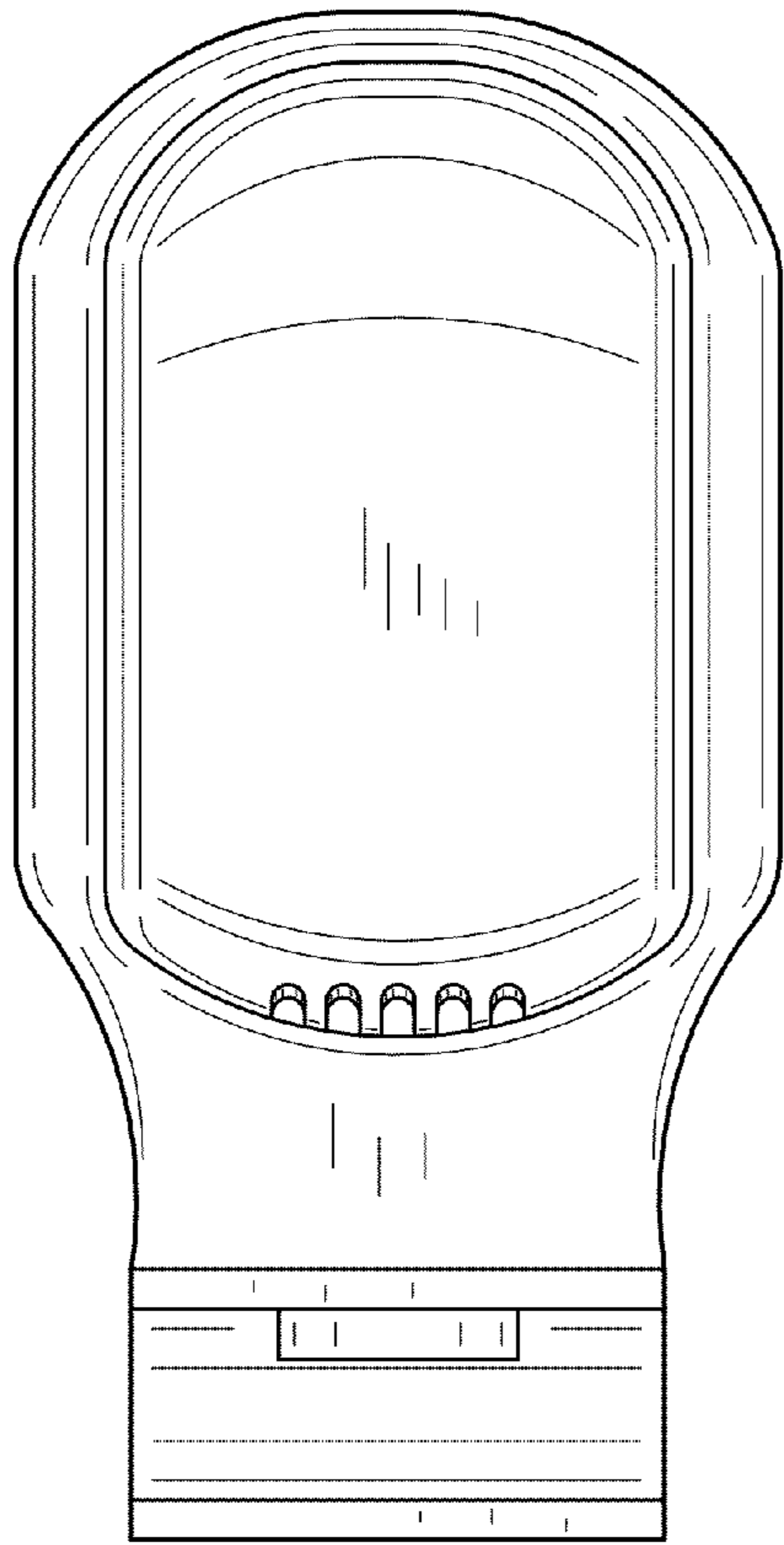


FIG. 1

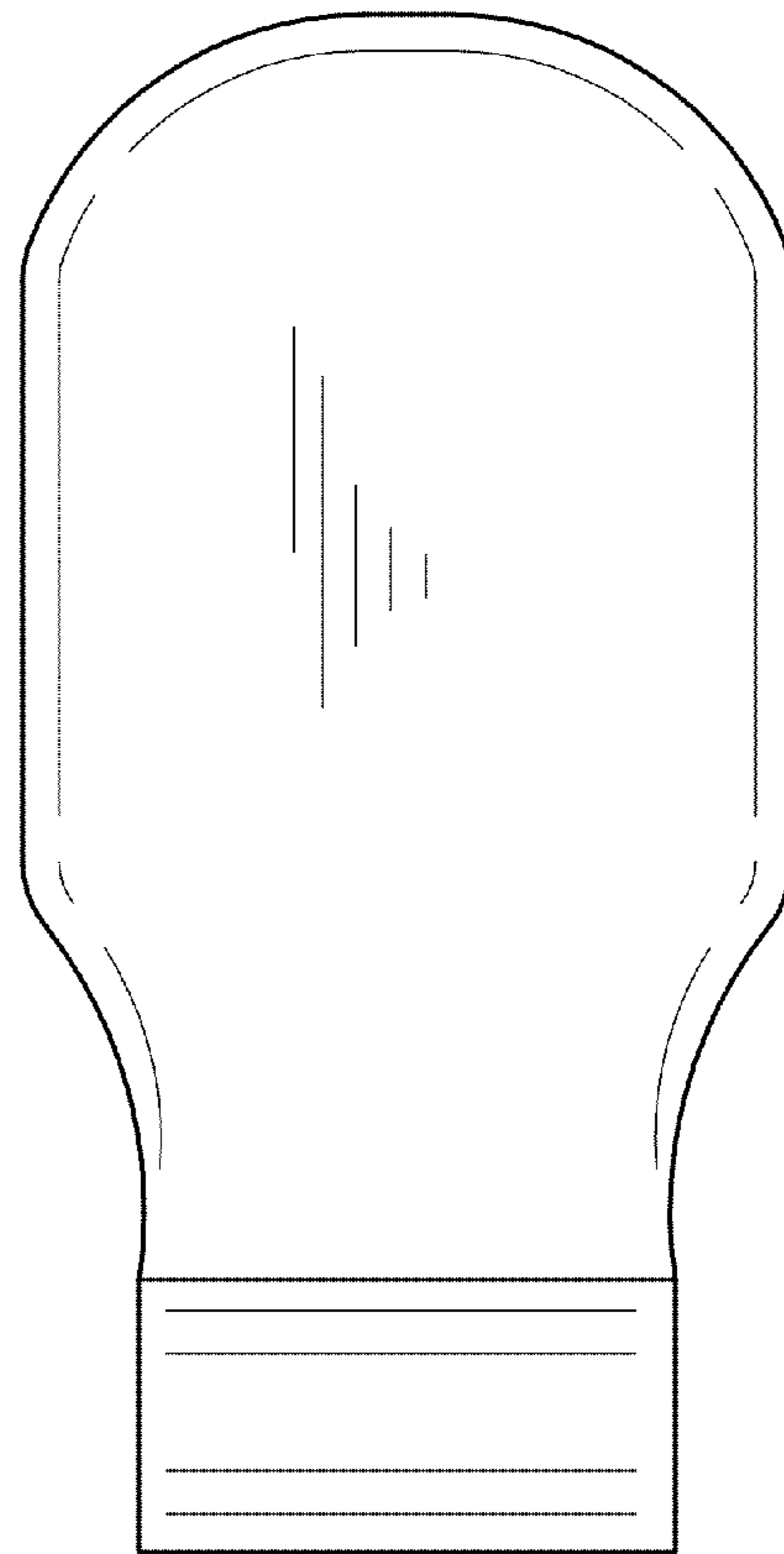


FIG. 2

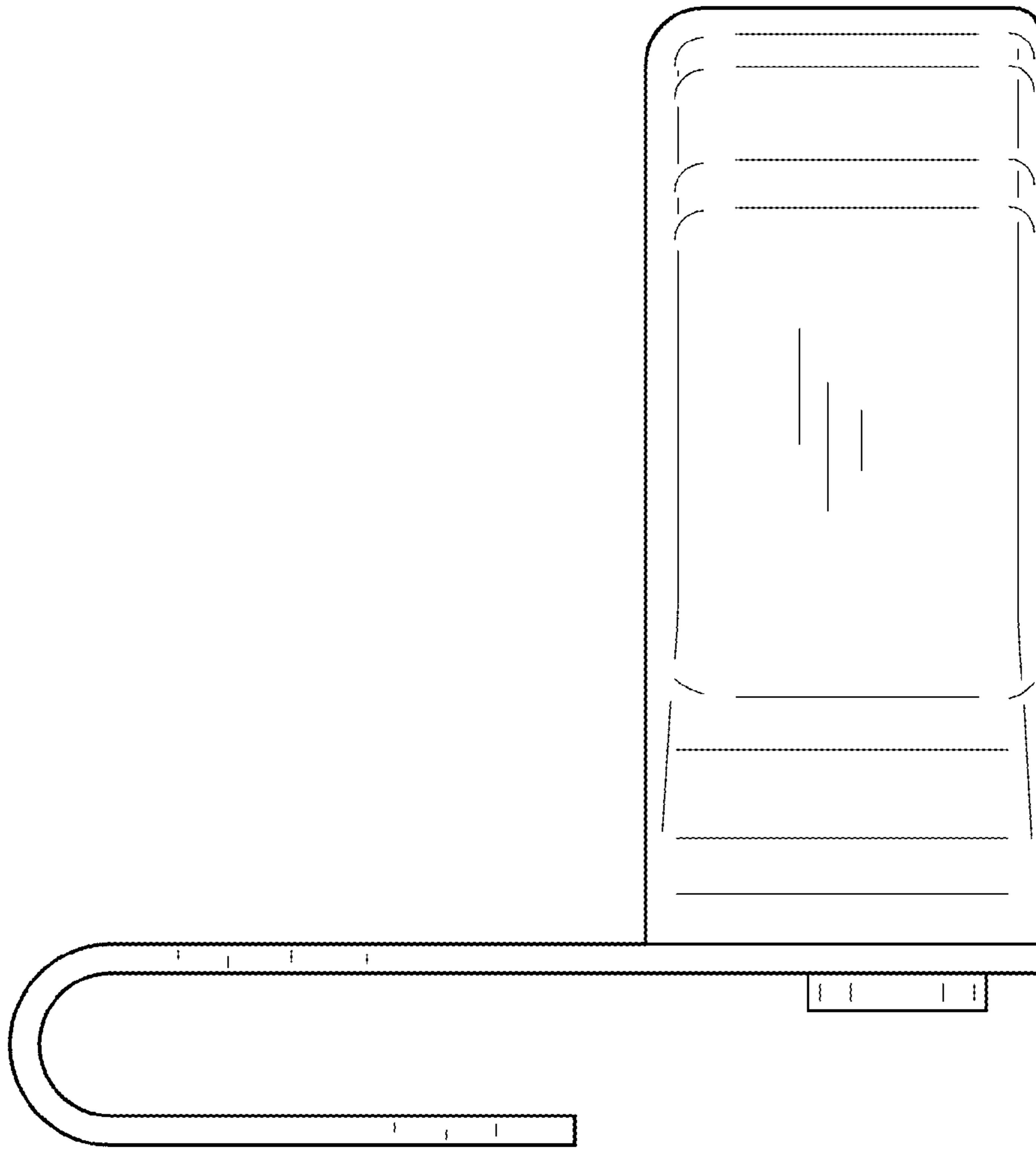


FIG. 3

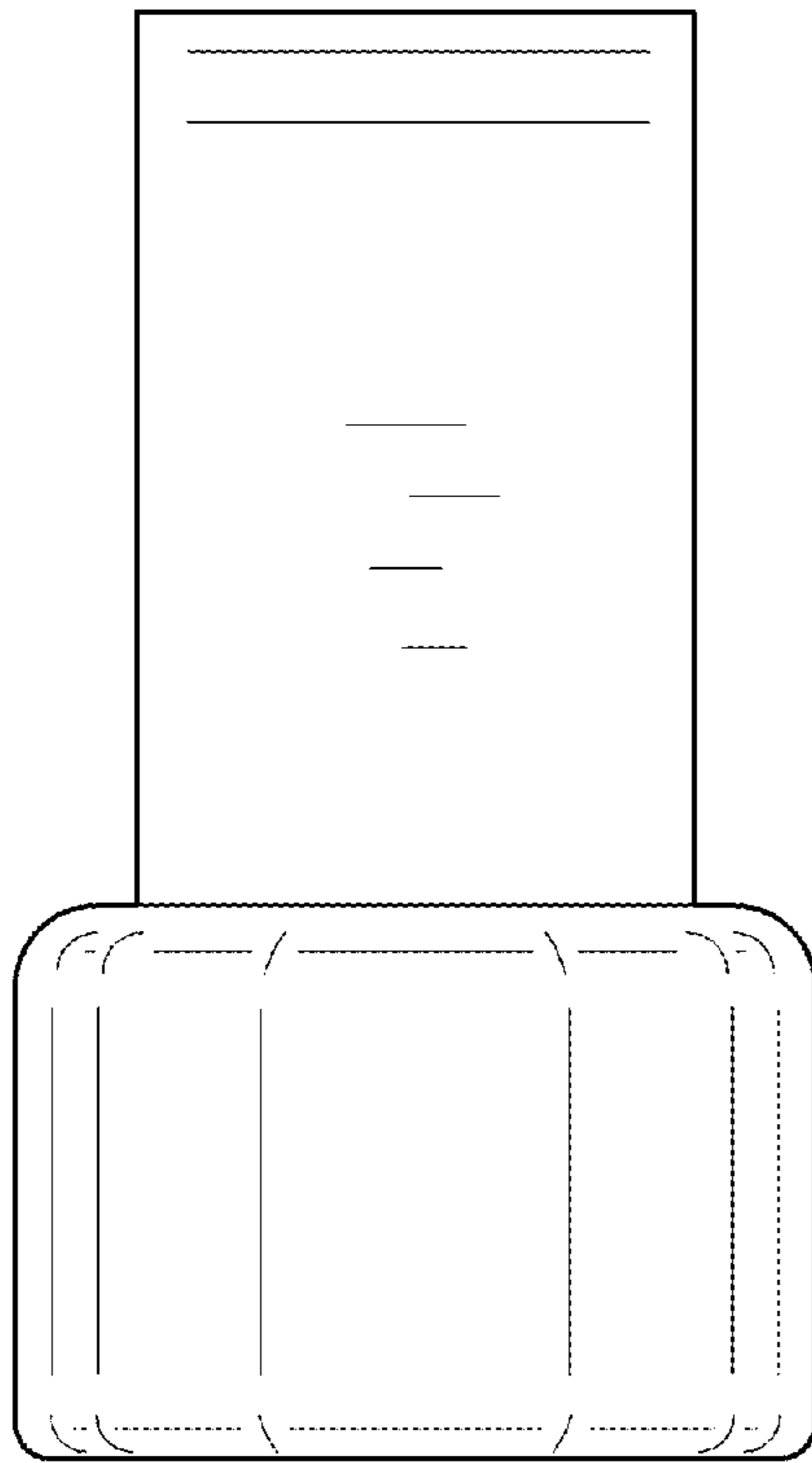


FIG. 4

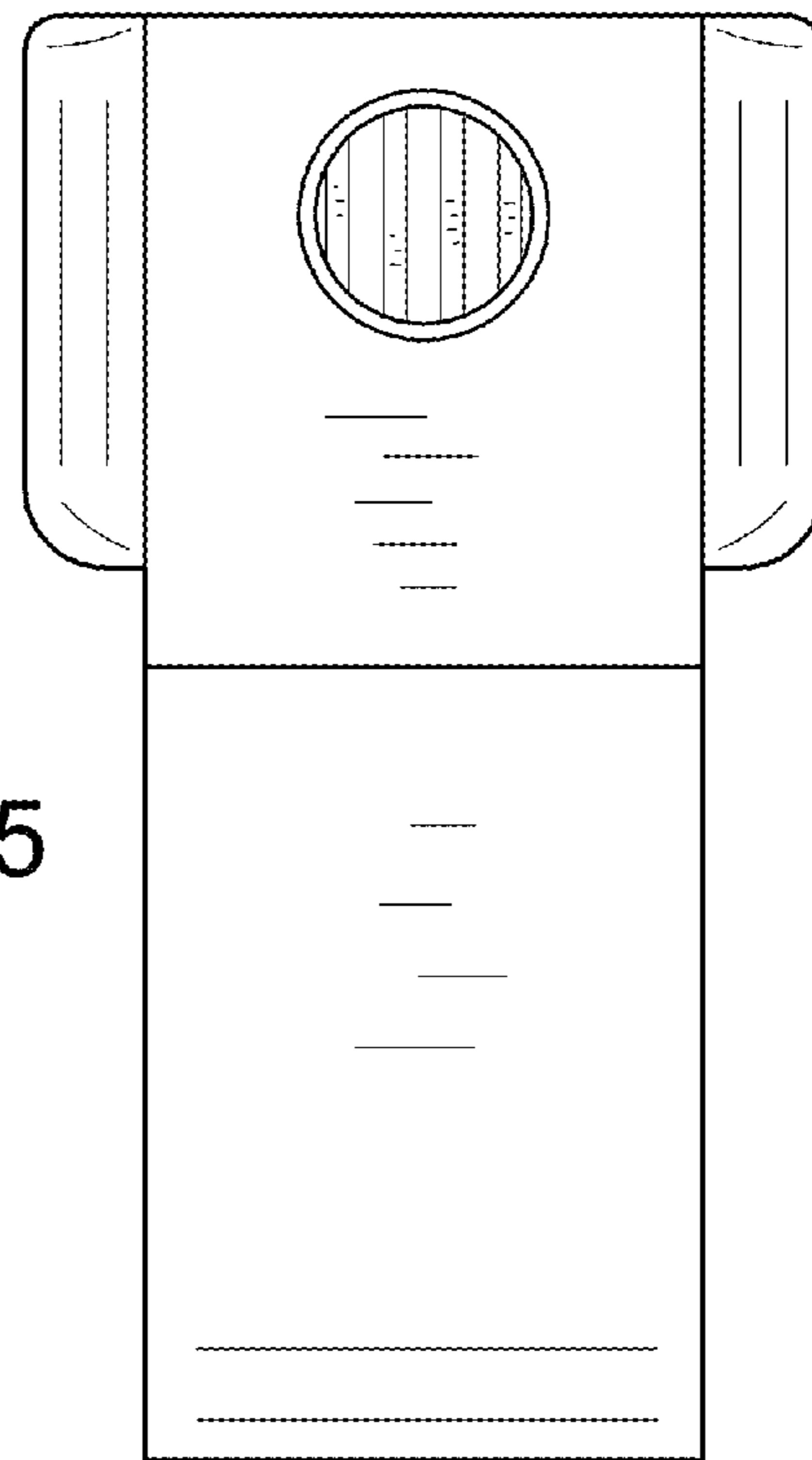


FIG. 5

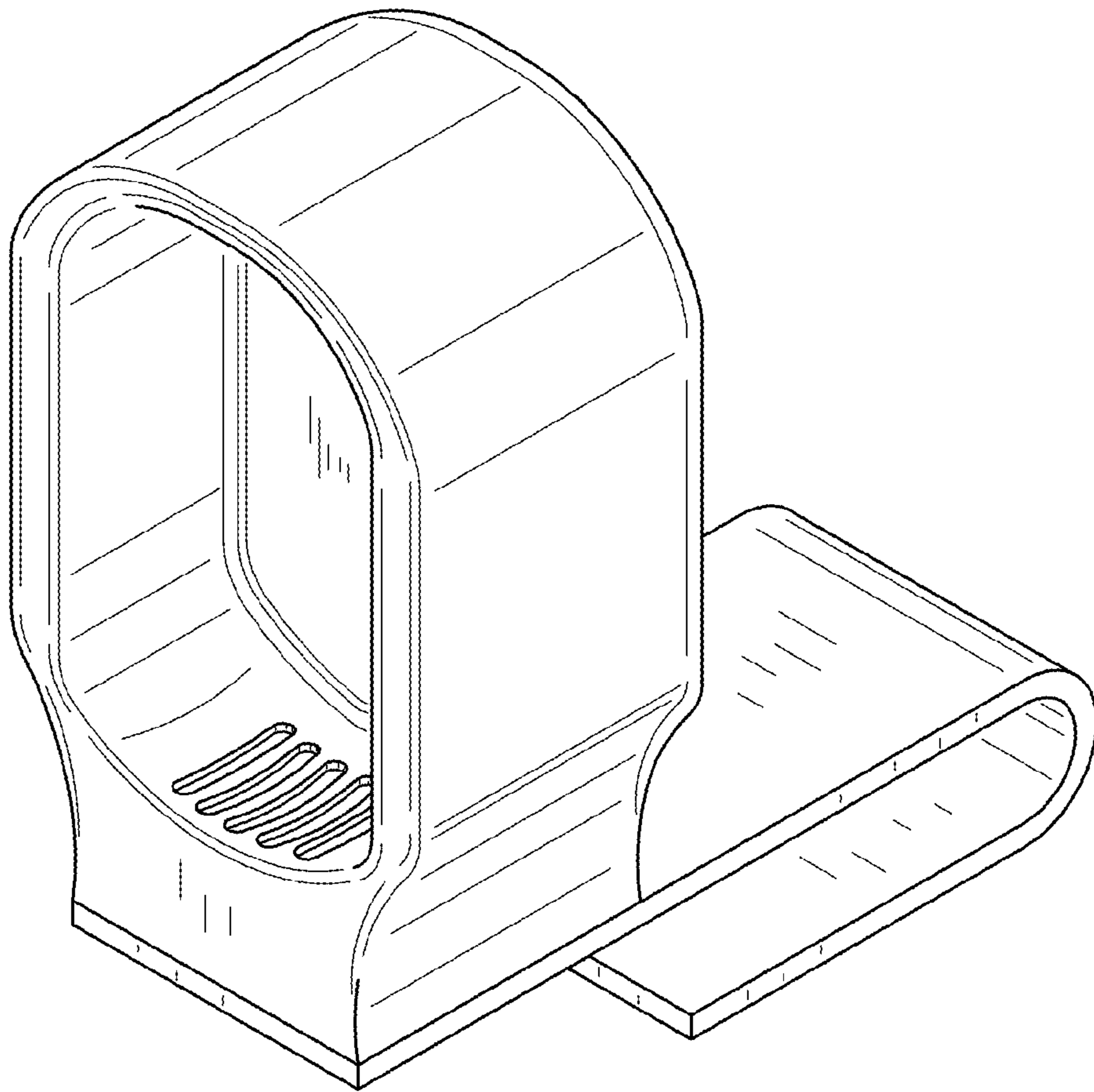


FIG. 6

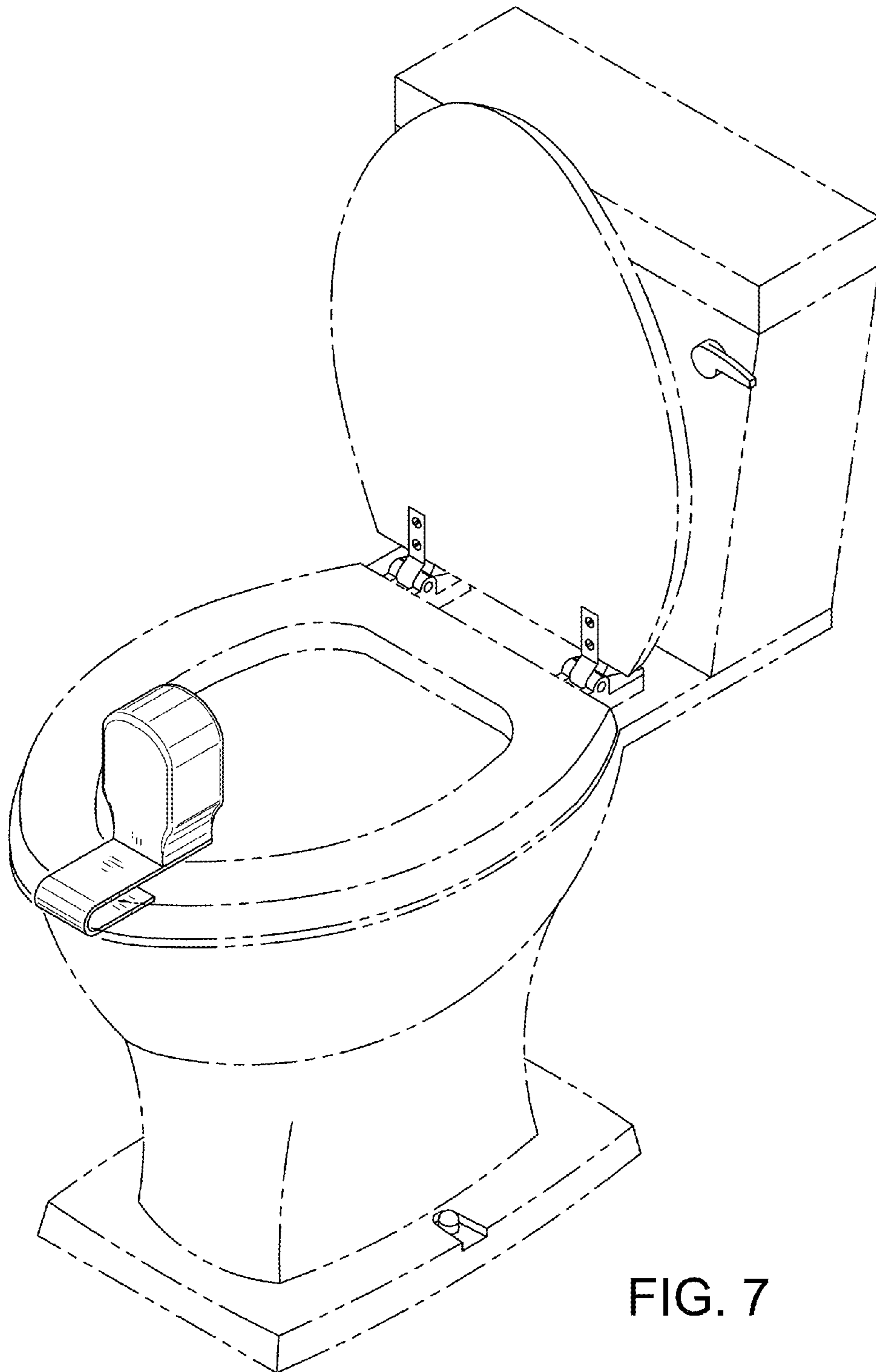


FIG. 7