



US00D746963S

(12) **United States Design Patent**  
**Barber et al.**

(10) **Patent No.:** **US D746,963 S**  
(45) **Date of Patent:** **\*\* Jan. 5, 2016**

- (54) **HANSHOWER HOLDER**
- (71) Applicant: **HANS GROHE SE**, Schiltach (DE)
- (72) Inventors: **Edward Barber**, London (GB); **Jay Osgerby**, London (GB)
- (73) Assignee: **Hansgrohe SE**, Schiltach (DE)
- (\*\*) Term: **14 Years**
- (21) Appl. No.: **29/507,325**
- (22) Filed: **Oct. 27, 2014**
- (30) **Foreign Application Priority Data**

Apr. 29, 2014 (EM) ..... 002455196-0005

- (51) **LOC (10) Cl.** ..... **23-02**
- (52) **U.S. Cl.**  
USPC ..... **D23/304**
- (58) **Field of Classification Search**  
USPC ..... D23/213, 223, 228, 239, 249, 304, 283;  
D8/394, 373, 380; D6/524  
CPC ..... E03C 1/06; E03C 1/066  
See application file for complete search history.

(56) **References Cited**

**U.S. PATENT DOCUMENTS**

- D296,582 S \* 7/1988 Haug ..... D23/304
- 6,473,916 B2 \* 11/2002 Schiødt ..... E03C 1/066  
4/567
- D493,864 S 8/2004 Haug et al.

- D622,829 S \* 8/2010 Barnard ..... D23/304
- D622,830 S \* 8/2010 Barnard ..... D23/304
- D695,880 S \* 12/2013 Schoenherr ..... D23/239
- D700,287 S \* 2/2014 Schoenherr ..... D23/239

**FOREIGN PATENT DOCUMENTS**

- EM 000870241-0003 1/2008
- EM 001007330-0007 9/2008
- EM 001805938-0002 1/2011
- EM 001952326-0011 11/2011
- EM 002121871-0005 10/2012

\* cited by examiner

*Primary Examiner* — Robert Delehanty

(74) *Attorney, Agent, or Firm* — Lora J. Graentzdoerffer

(57) **CLAIM**

The ornamental design for a handshower holder, as shown and described.

**DESCRIPTION**

FIG. 1 is a perspective view of a handshower holder showing our design;

FIG. 2 is a front elevation view;

FIG. 3 is a rear elevation view;

FIG. 4 is a left side elevation view;

FIG. 5 is a right side elevation view;

FIG. 6 is a top plan view; and,

FIG. 7 is a bottom plan view.

The broken lines indicate portions of the handshower holder that form no part of the claimed design.

**1 Claim, 7 Drawing Sheets**

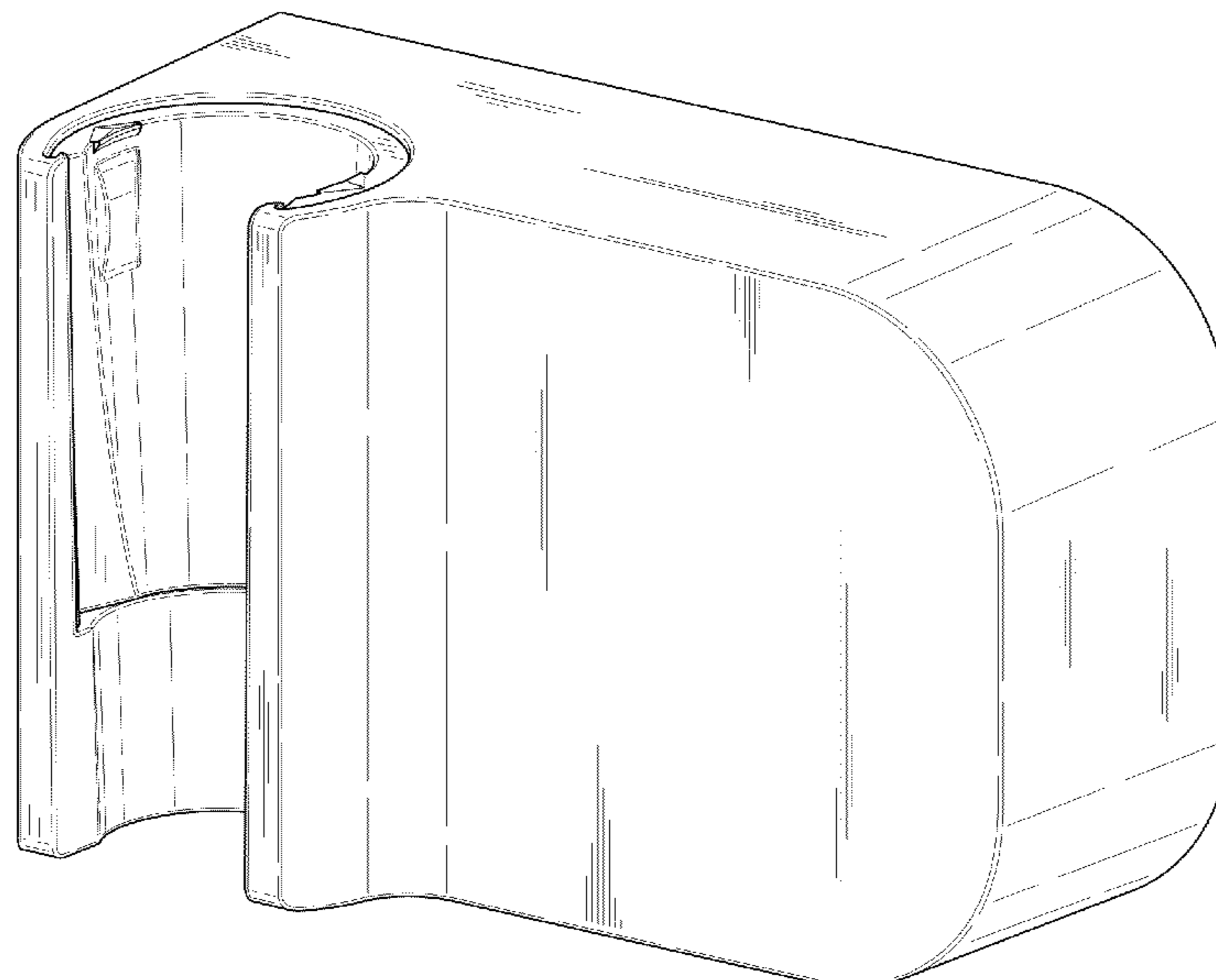


FIG. 1

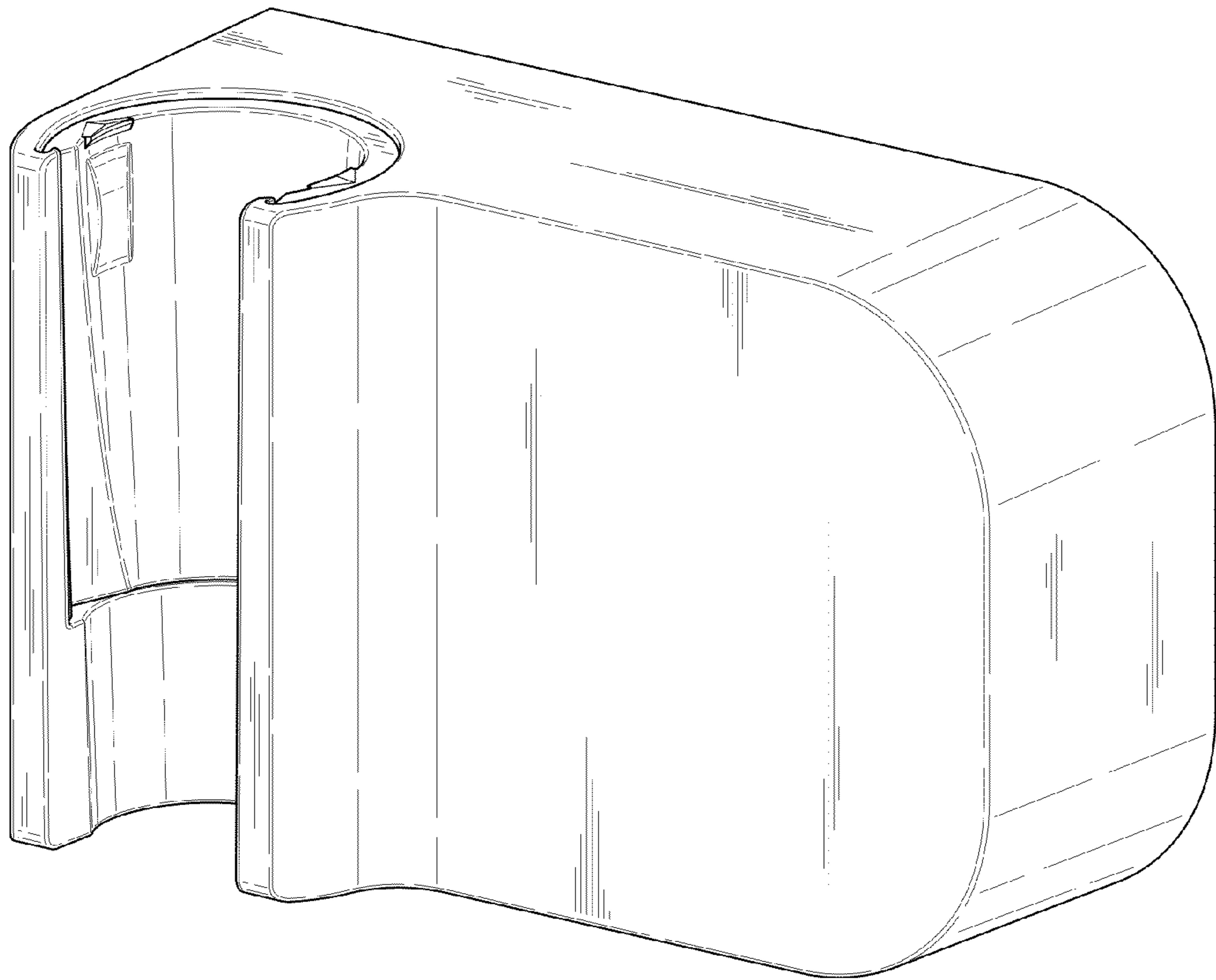


FIG. 2

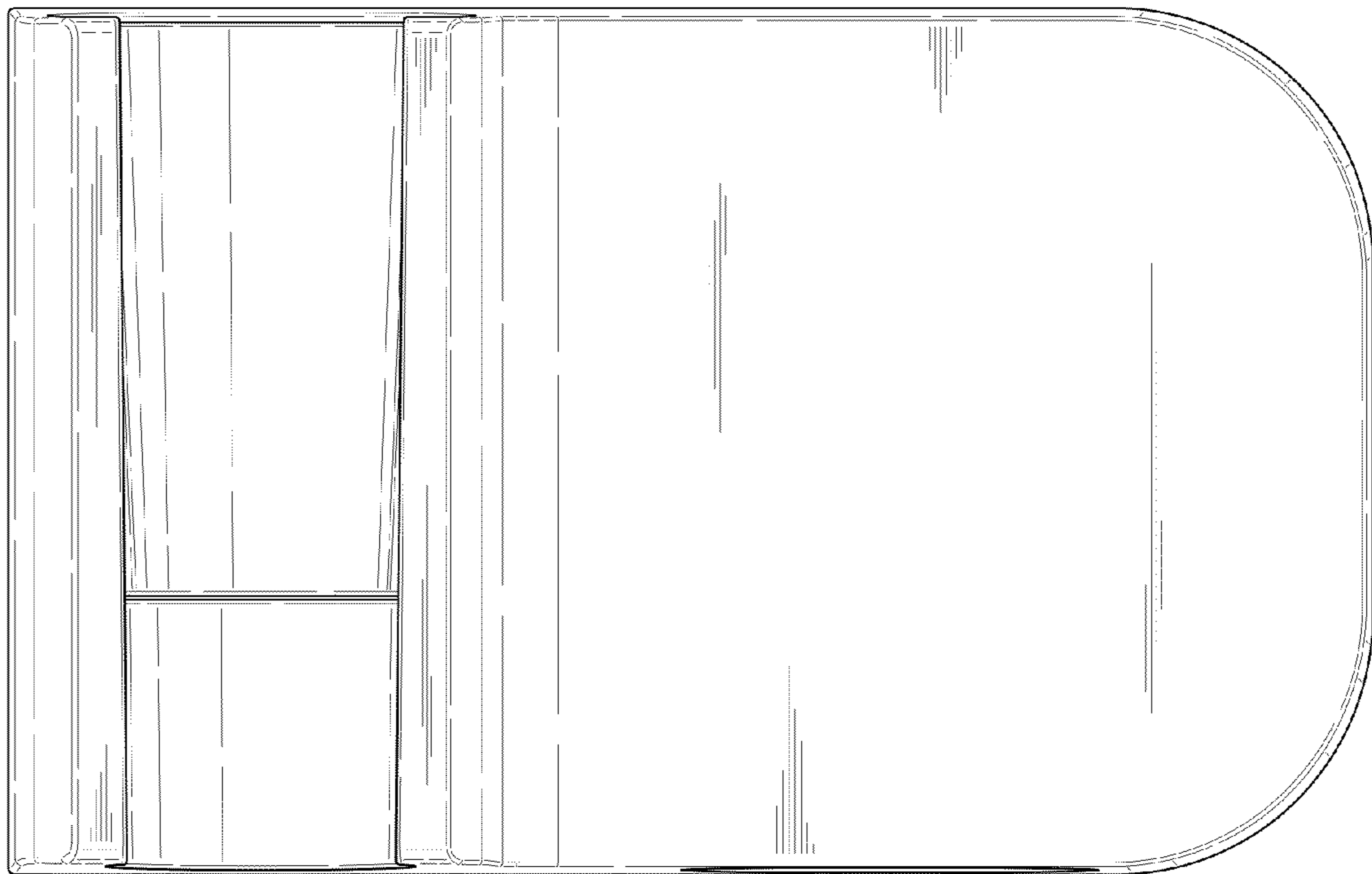


FIG. 3

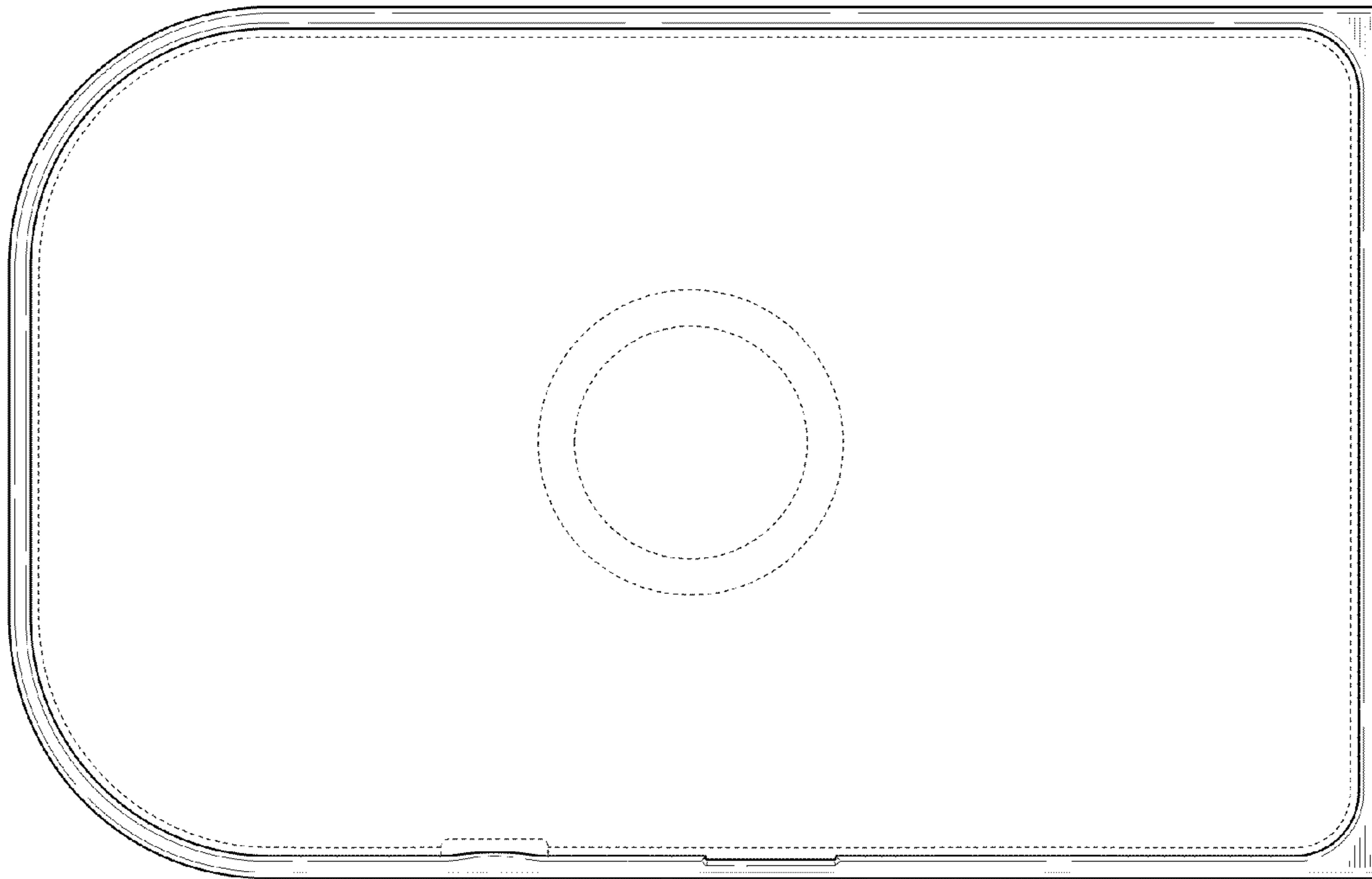


FIG. 4

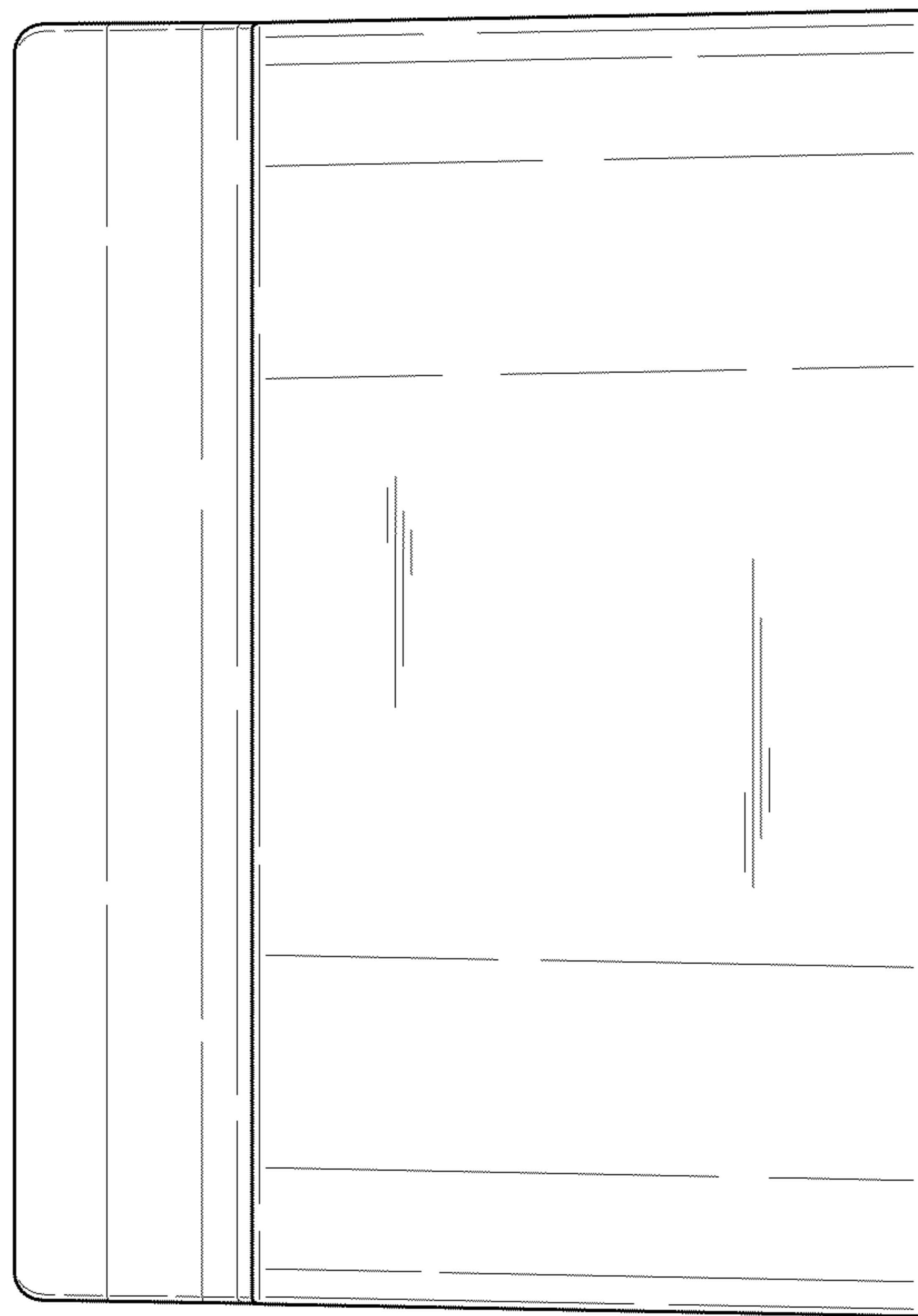


FIG. 5

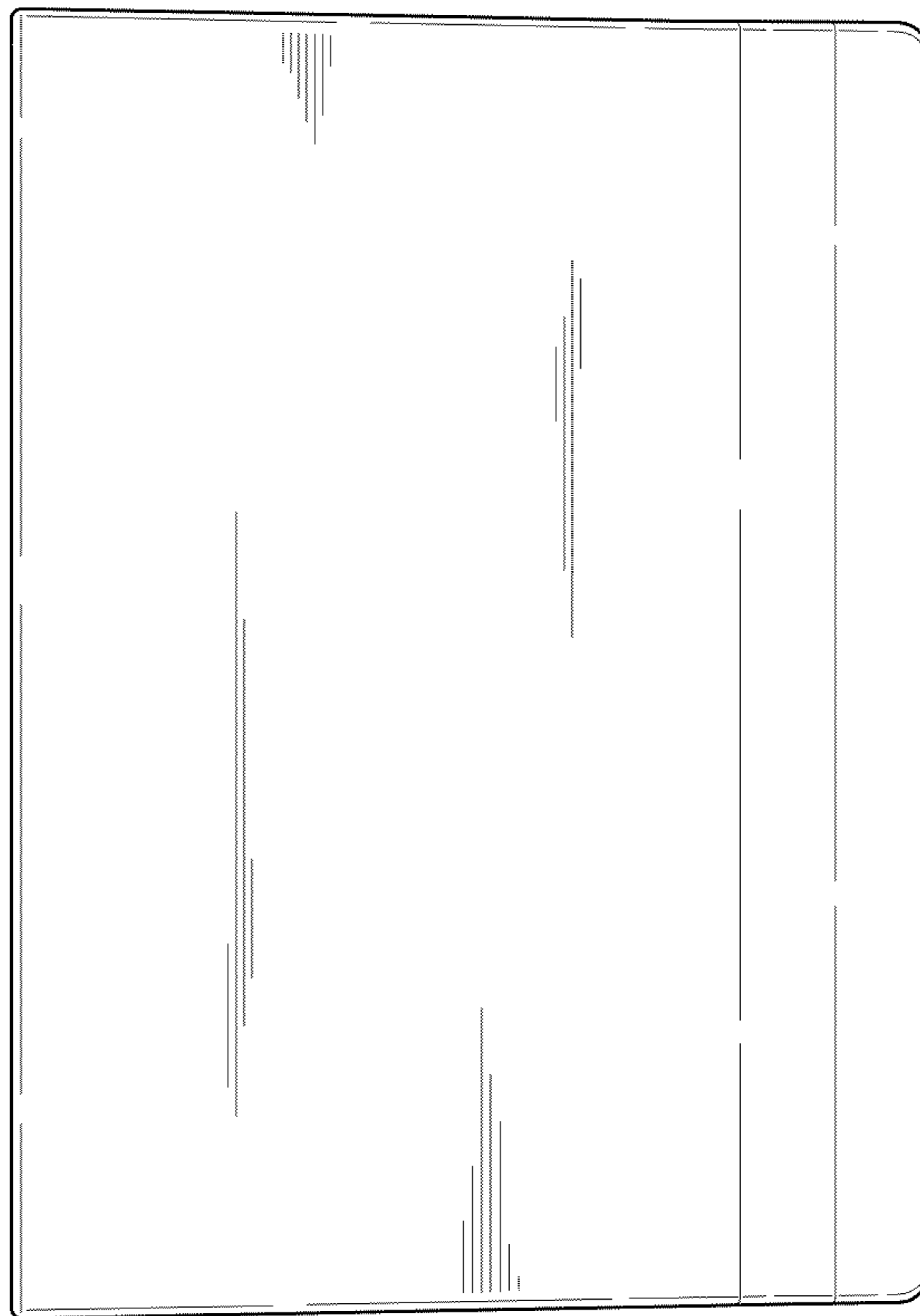


FIG. 6

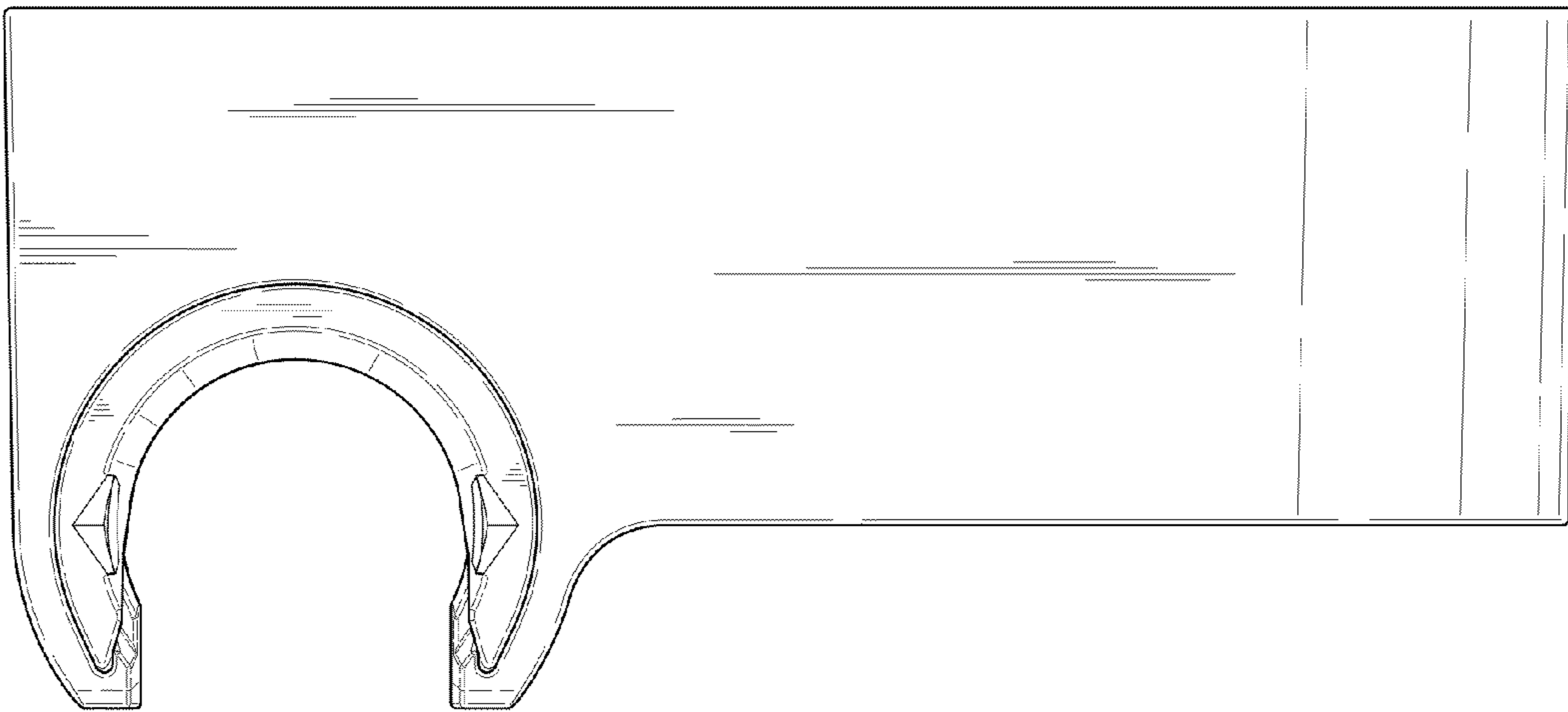


FIG. 7

