



US00D746962S

(12) **United States Design Patent**
Citterio

(10) **Patent No.:** **US D746,962 S**
(45) **Date of Patent:** **** Jan. 5, 2016**

- (54) **HANSHOWER HOLDER**
- (71) Applicant: **Hansgrohe SE**, Schiltach (DE)
- (72) Inventor: **Antonio Citterio**, Milan (IT)
- (73) Assignee: **Hansgrohe SE**, Schiltach (DE)
- (**) Term: **14 Years**
- (21) Appl. No.: **29/506,945**
- (22) Filed: **Oct. 22, 2014**

D542,393 S	5/2007	Haug et al.	
D578,622 S	10/2008	Kollmann	
D587,357 S *	2/2009	Hoernig	D23/304
D590,698 S *	4/2009	Moore	D8/363
D695,880 S *	12/2013	Schoenherr	D23/304
8,919,709 B2 *	12/2014	Zhou	E03C 1/066 248/121

- (30) **Foreign Application Priority Data**
- Apr. 25, 2014 (EM) 002453043-0007
- (51) **LOC (10) Cl.** **23-02**
- (52) **U.S. Cl.**
- USPC **D23/304**
- (58) **Field of Classification Search**
- USPC D23/213, 223, 228, 239, 249, 304, 283;
D8/394, 373, 380; D6/524
- CPC E03C 1/06; E03C 1/066
- See application file for complete search history.

FOREIGN PATENT DOCUMENTS

EM	000078357-0001	9/2003
EM	001259287-0008	2/2011

* cited by examiner

Primary Examiner — Robert Delehanty

(74) *Attorney, Agent, or Firm* — Lora J. Graentzdoerffer

(57) **CLAIM**

The ornamental design for a handshower holder, as shown and described.

DESCRIPTION

FIG. 1 is a perspective view of a handshower holder showing my design;
 FIG. 2 is a front elevation view;
 FIG. 3 is a rear elevation view;
 FIG. 4 is a left side elevation view;
 FIG. 5 is a right side elevation view;
 FIG. 6 is a top plan view; and,
 FIG. 7 is a bottom plan view.

The broken lines indicate portions of the handshower holder that form no part of the claimed design.

- (56) **References Cited**
- U.S. PATENT DOCUMENTS**
- D340,376 S * 10/1993 Klose D23/223
- D341,007 S 11/1993 Haug et al.
- D419,227 S * 1/2000 Ben-Tsur D23/304
- D542,391 S * 5/2007 Gilbert D23/304

1 Claim, 7 Drawing Sheets

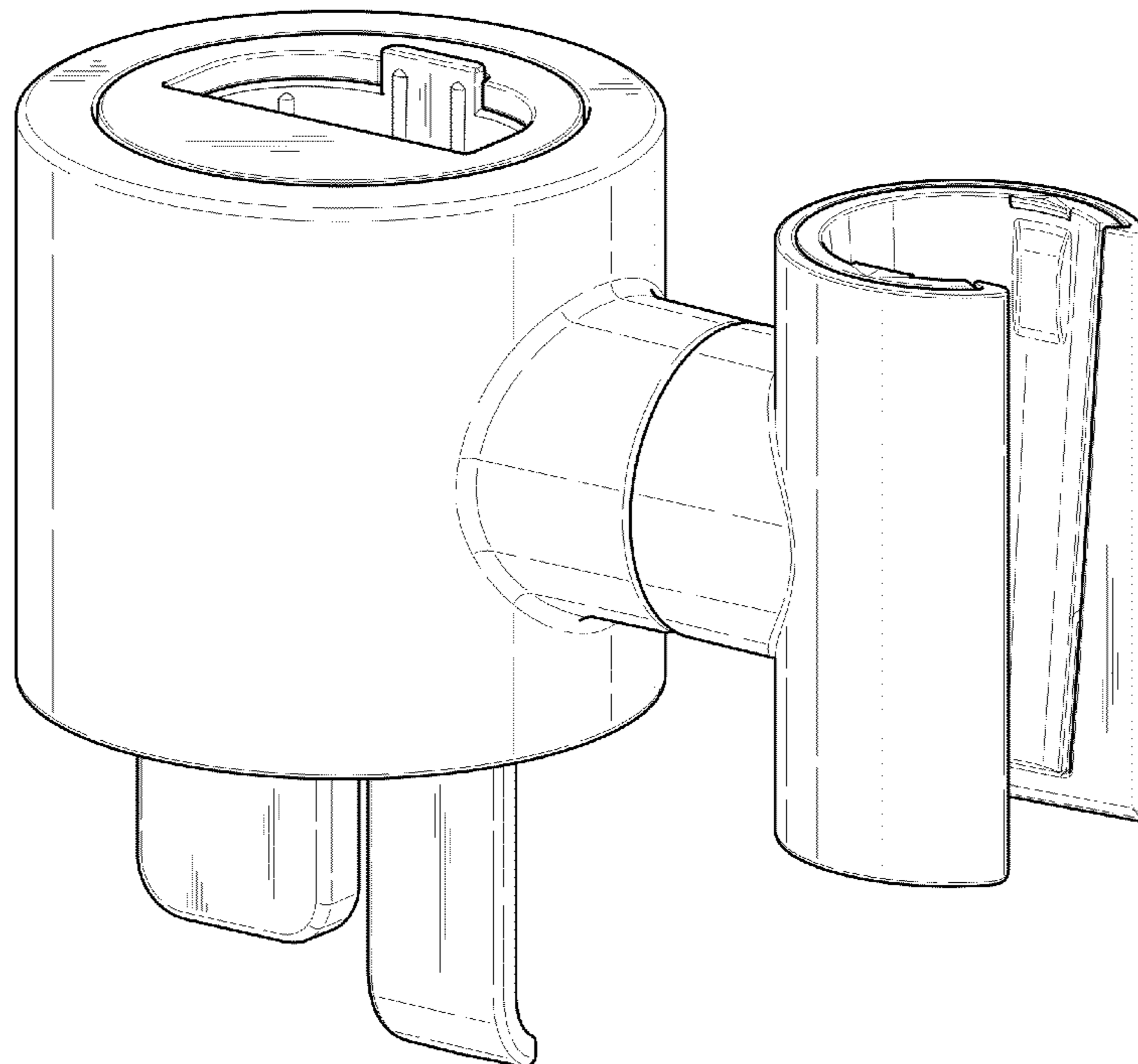


FIG. 1

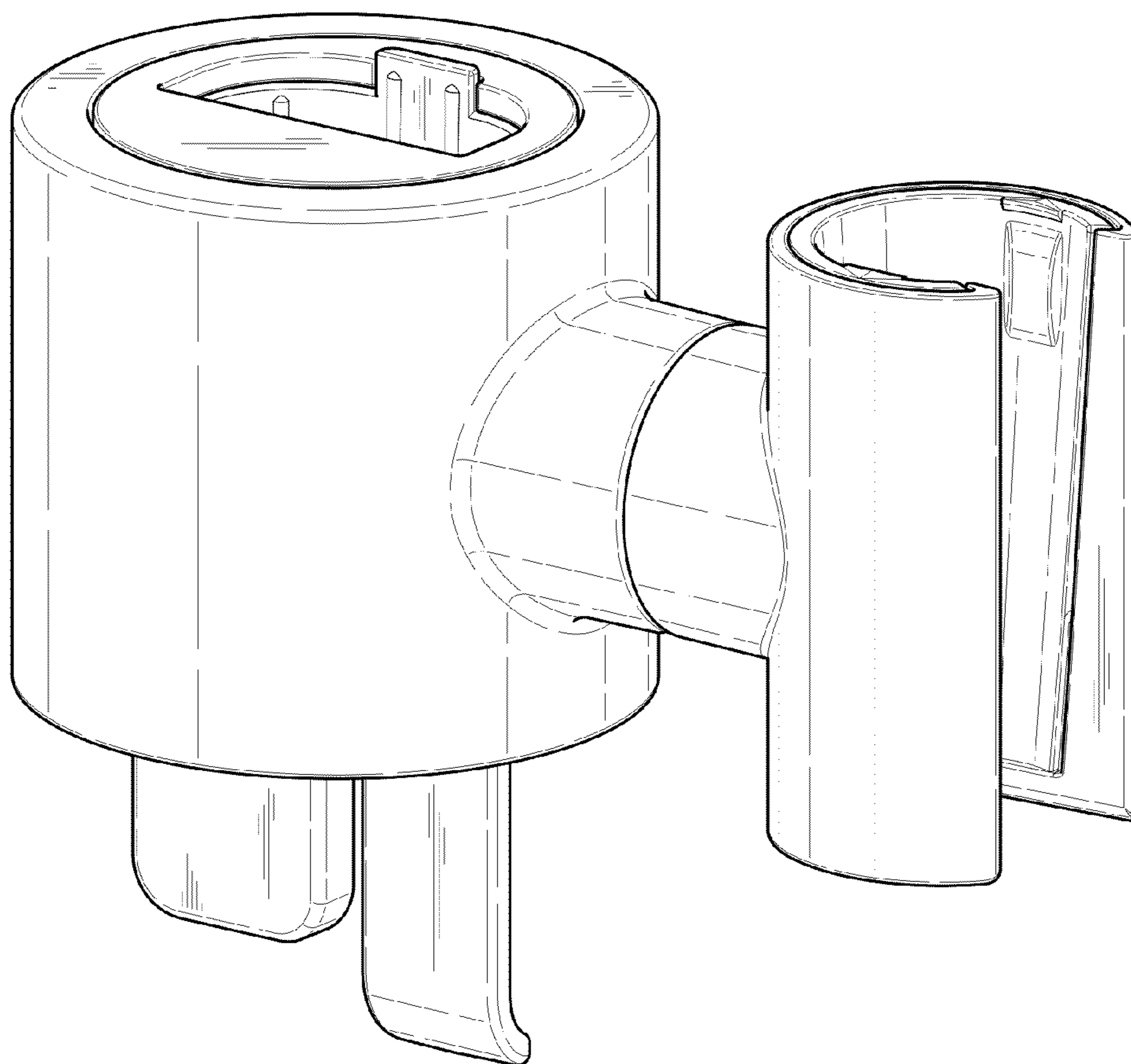


FIG. 2

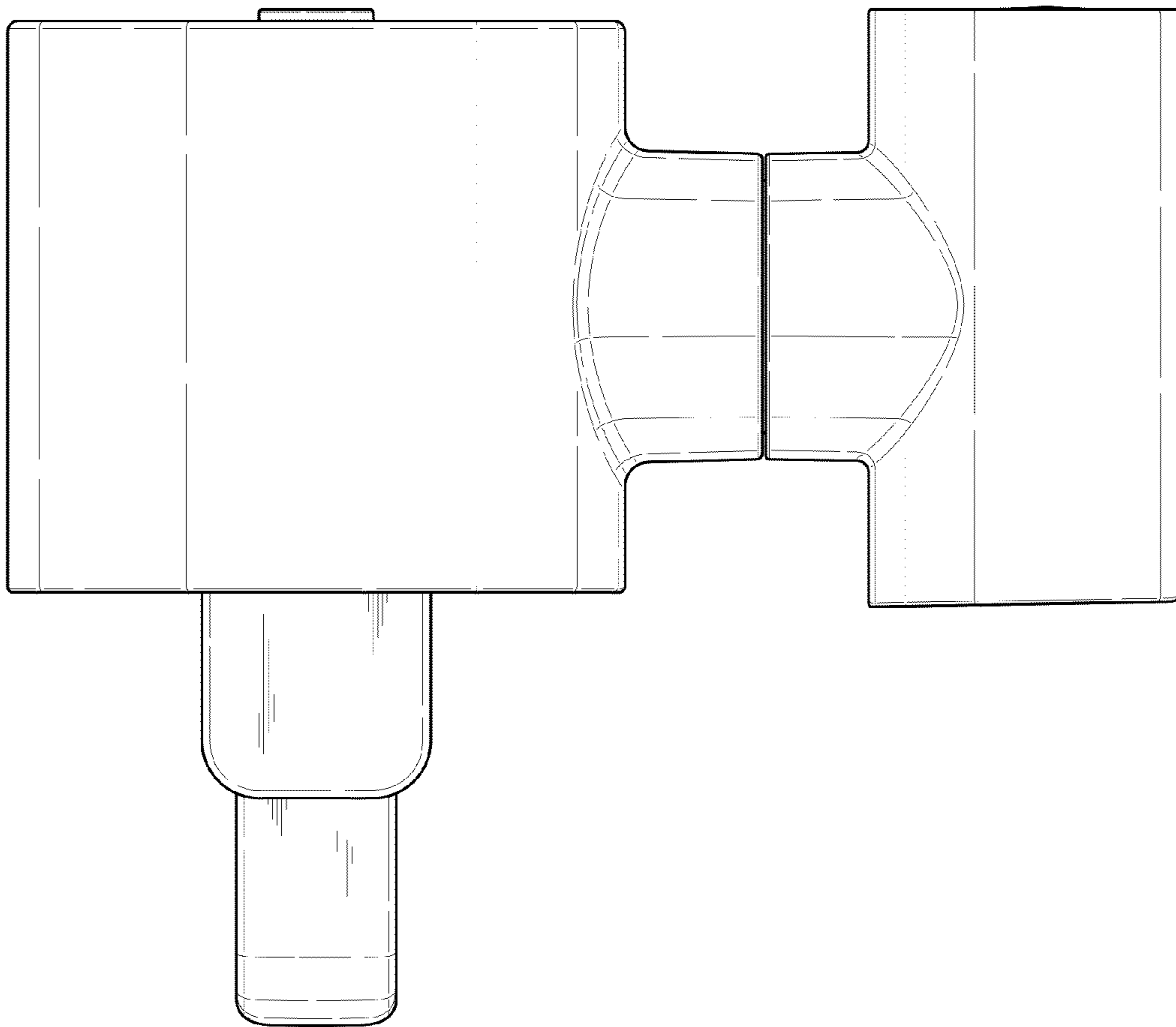


FIG. 3

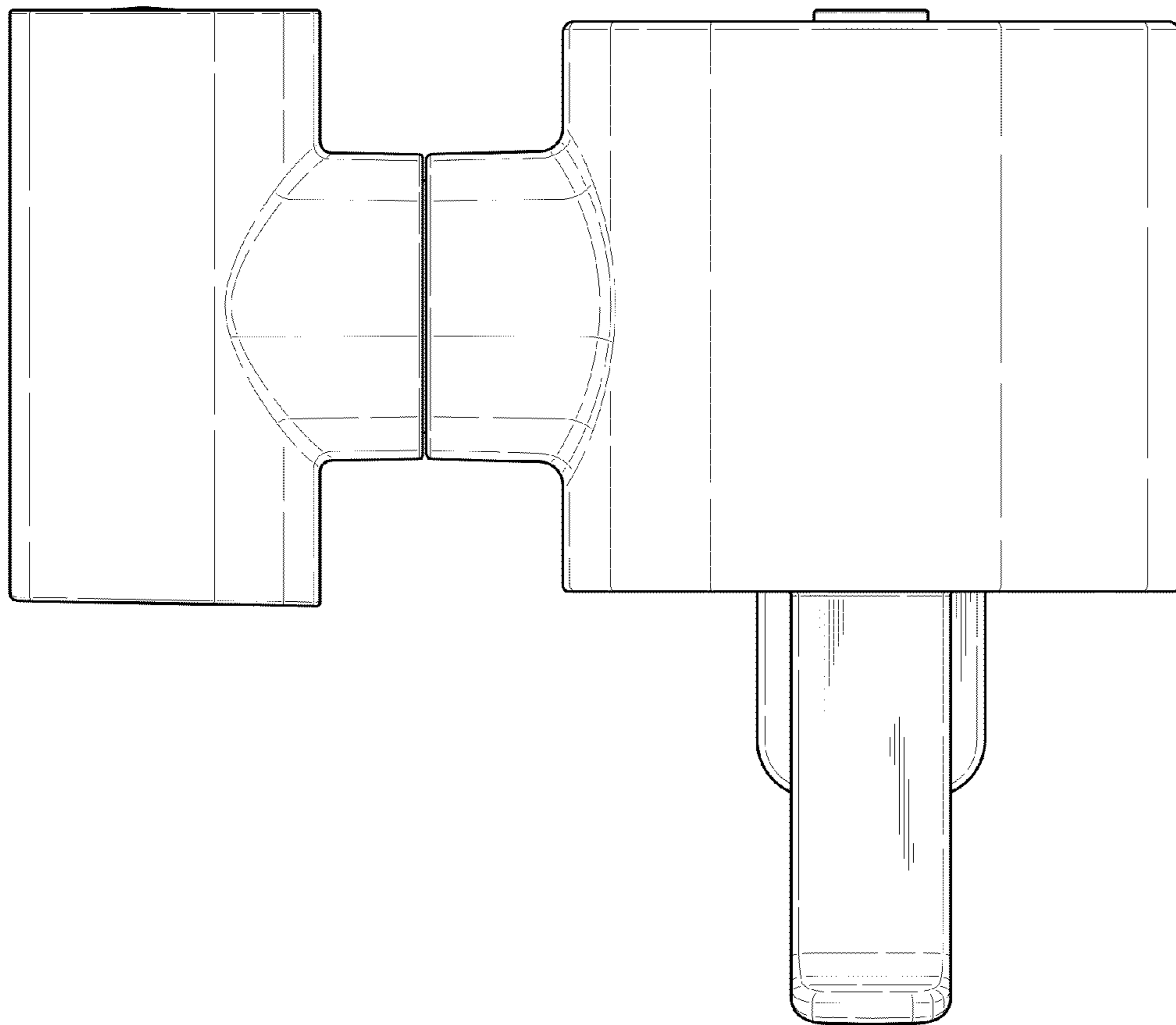


FIG. 4

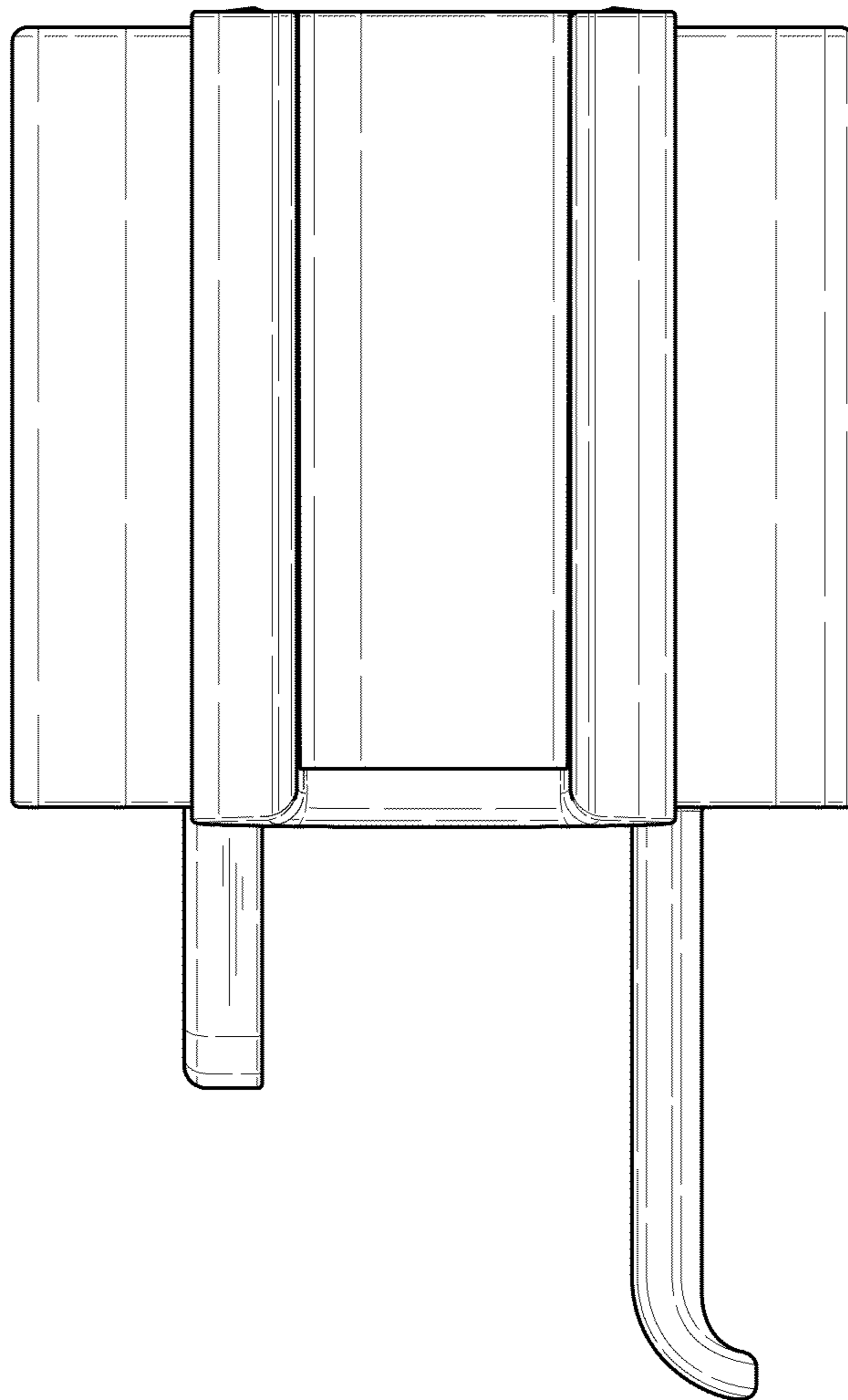


FIG. 5

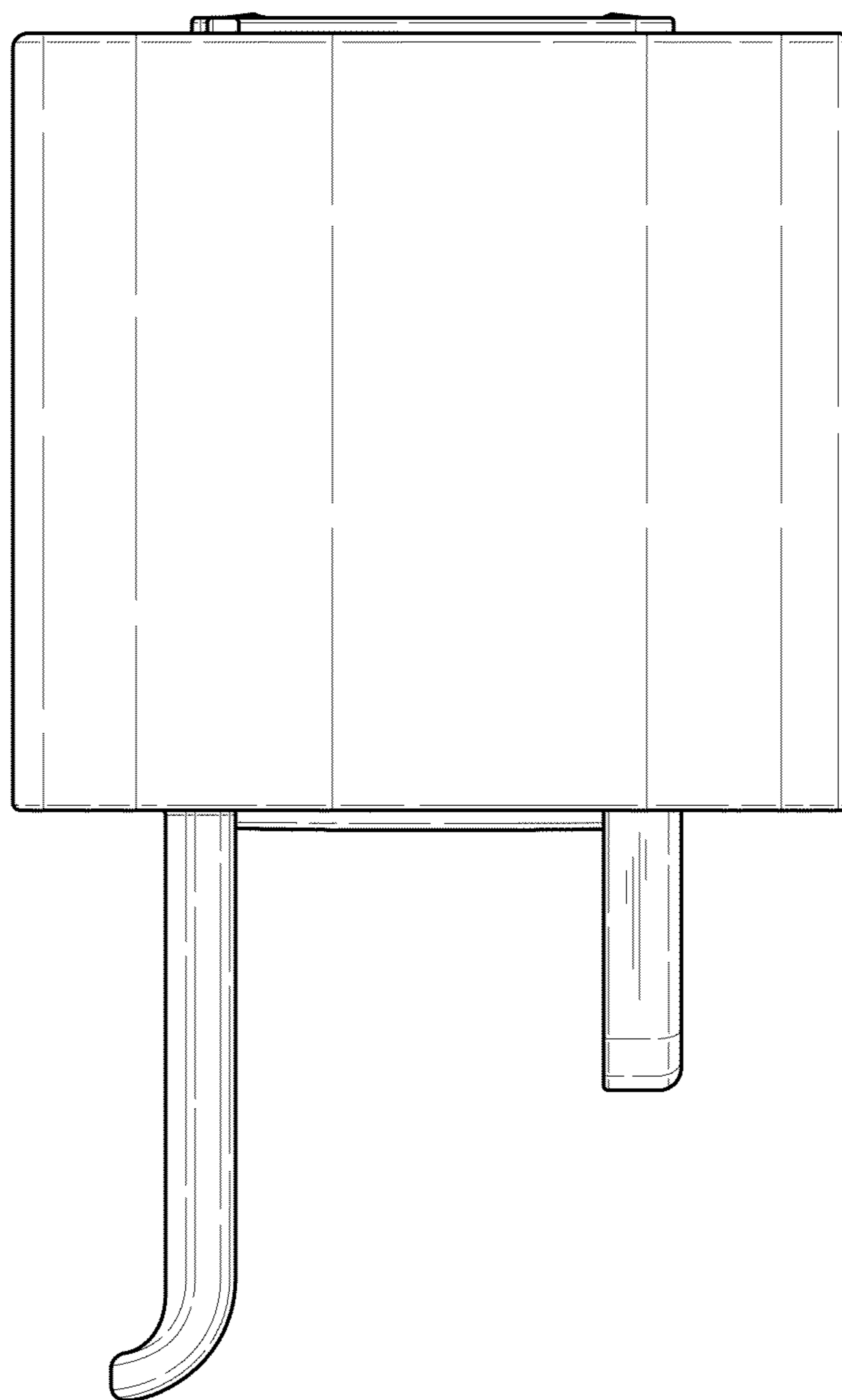


FIG. 6

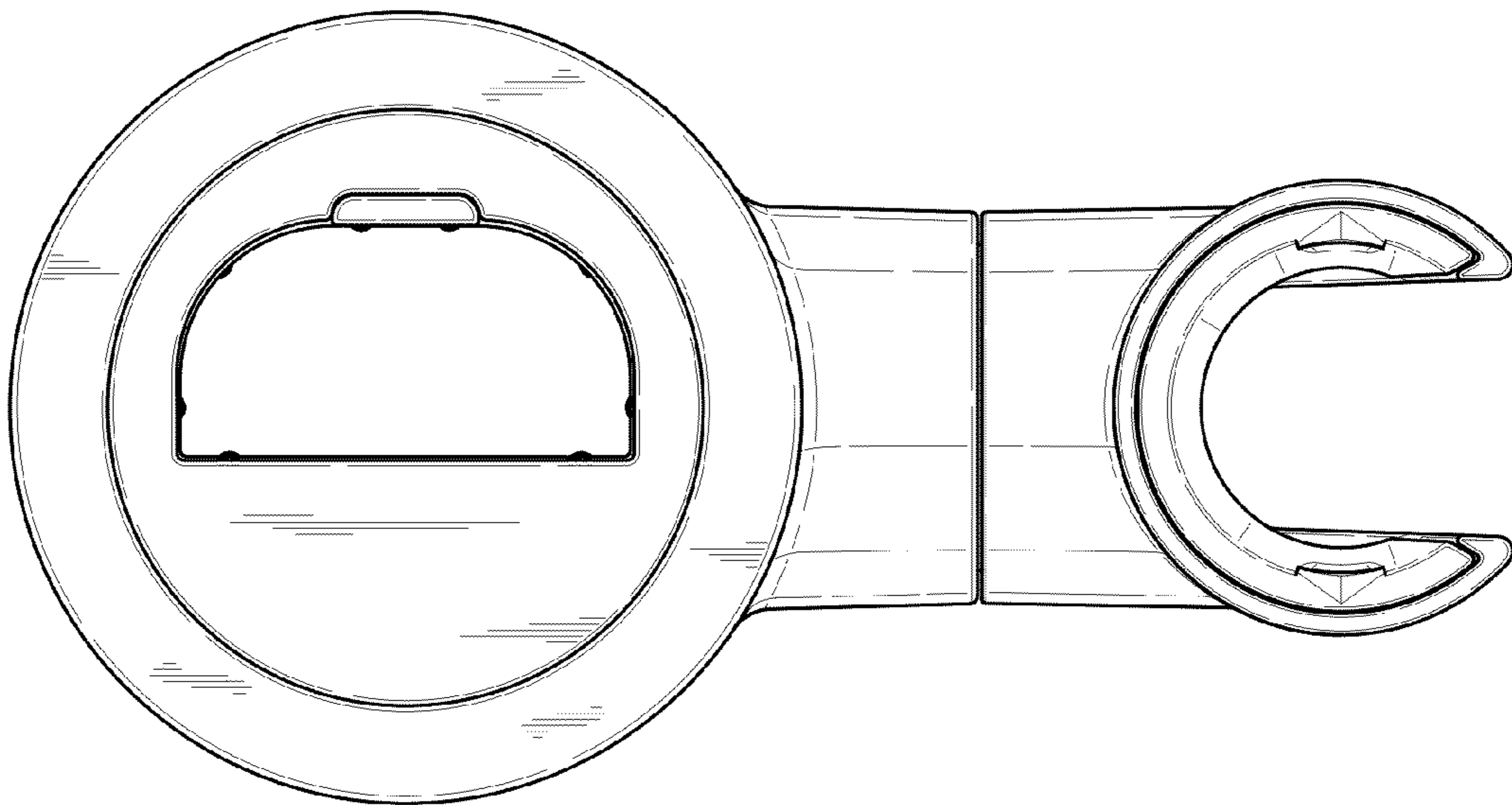


FIG. 7

