



US00D746961S

(12) **United States Design Patent**
Clarke et al.

(10) **Patent No.:** **US D746,961 S**
(45) **Date of Patent:** **** Jan. 5, 2016**

- (54) **LAVATORY**
- (71) Applicant: **Kohler Co.**, Kohler, WI (US)
- (72) Inventors: **Gary N. Clarke**, Sheboygan, WI (US);
Shawn J. Booth, Sheboygan, WI (US)
- (73) Assignee: **KOHLER CO.**, Kohler, WI (US)
- (**) Term: **14 Years**
- (21) Appl. No.: **29/516,773**
- (22) Filed: **Feb. 5, 2015**

- D588,242 S 3/2009 Hanna
- D645,125 S 9/2011 Palomba et al.
- D687,529 S 8/2013 Stauffer

Primary Examiner — Robert Delehanty
(74) *Attorney, Agent, or Firm* — Foley & Lardner LLP

(57) **CLAIM**
We claim the ornamental design for a lavatory, as shown and described.

DESCRIPTION

FIG. 1 is a top perspective view of an embodiment of the claimed design;
 FIG. 2 is a top view of the embodiment of the claimed design shown in FIG. 1;
 FIG. 3 is a bottom view of the embodiment of the claimed design shown in FIG. 1;
 FIG. 4 is a front view of the embodiment of the claimed design shown in FIG. 1;
 FIG. 5 is a rear view of the embodiment of the claimed design shown in FIG. 1;
 FIG. 6 is a side view of the embodiment of the claimed design shown in FIG. 1;
 FIG. 7 is another side view of the embodiment of the claimed design shown in FIG. 1;
 FIG. 8 is a cross-section view of the embodiment of the claimed design shown in FIG. 1; and,
 FIG. 9 is a second cross-section view of the embodiment of the claimed design shown in FIG. 1.

The ornamental design which is claimed is shown in solid lines in the drawings. The broken lines in the drawings are for illustrative purposes only and form no part of the claimed design. Broken lines formed by equal length dashes show unclaimed portions of the design. Broken lines formed of unequal length dashes (i.e., dash-dot) show boundaries between claimed and unclaimed portions of the design.

Related U.S. Application Data

- (62) Division of application No. 29/501,959, filed on Sep. 10, 2014, now Pat. No. Des. 724,710, which is a division of application No. 29/480,936, filed on Jan. 30, 2014, now Pat. No. Des. 722,143.

(51) **LOC (10) Cl.** **23-02**

(52) **U.S. Cl.**
USPC **D23/293.1**

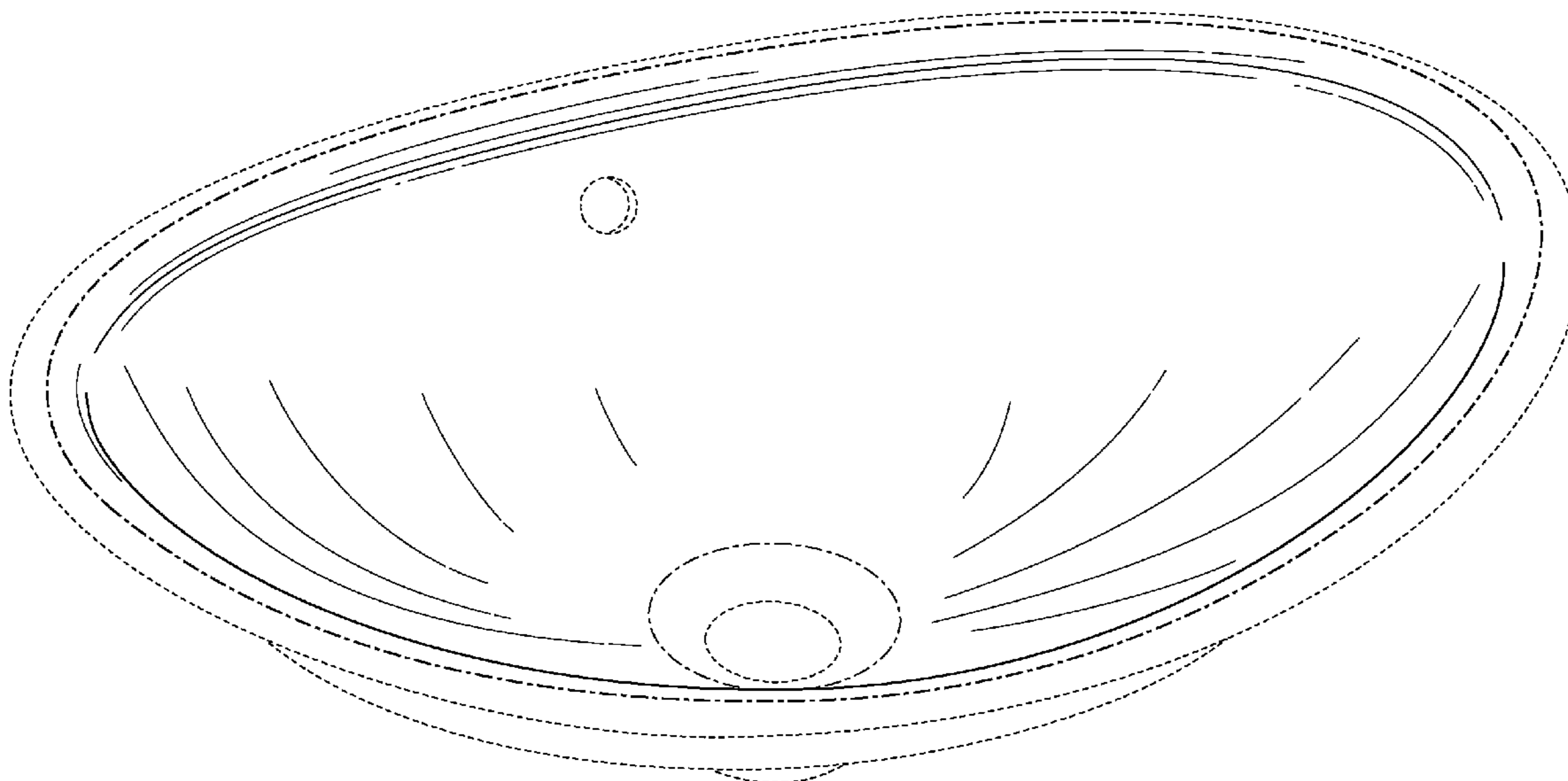
(58) **Field of Classification Search**
USPC D23/284, 291–292, 293.1, 303, 308,
D23/286; 4/619, 640, 650, 661, 643, 646
See application file for complete search history.

(56) **References Cited**

U.S. PATENT DOCUMENTS

- D416,991 S 11/1999 Caplow
- D499,797 S 12/2004 Bates
- D500,128 S 12/2004 Bates
- D500,129 S 12/2004 Bates
- D530,409 S 10/2006 Sutopo
- D538,903 S 3/2007 Paterson
- D560,778 S 1/2008 Paterson

1 Claim, 9 Drawing Sheets



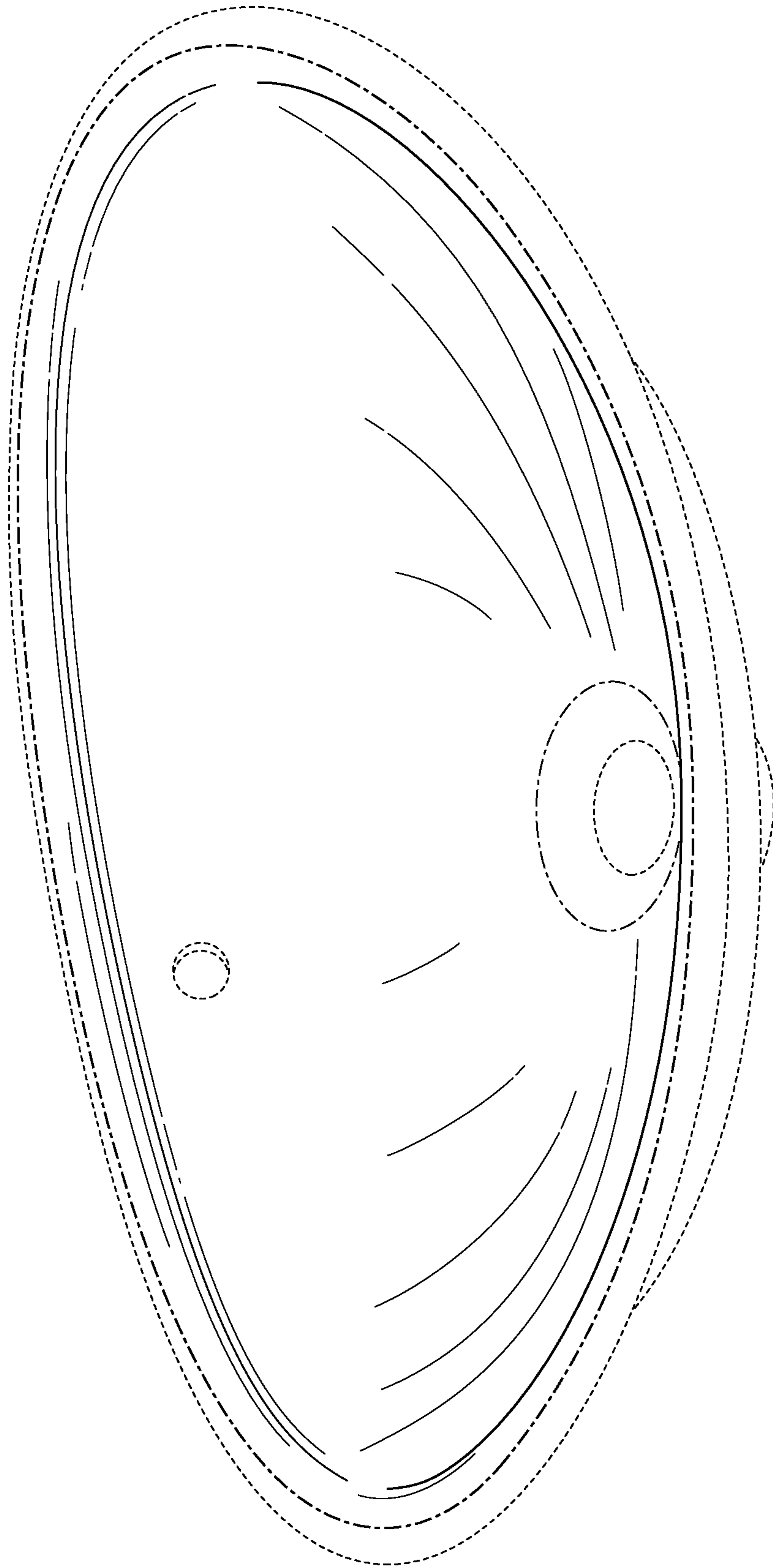


FIG. 1

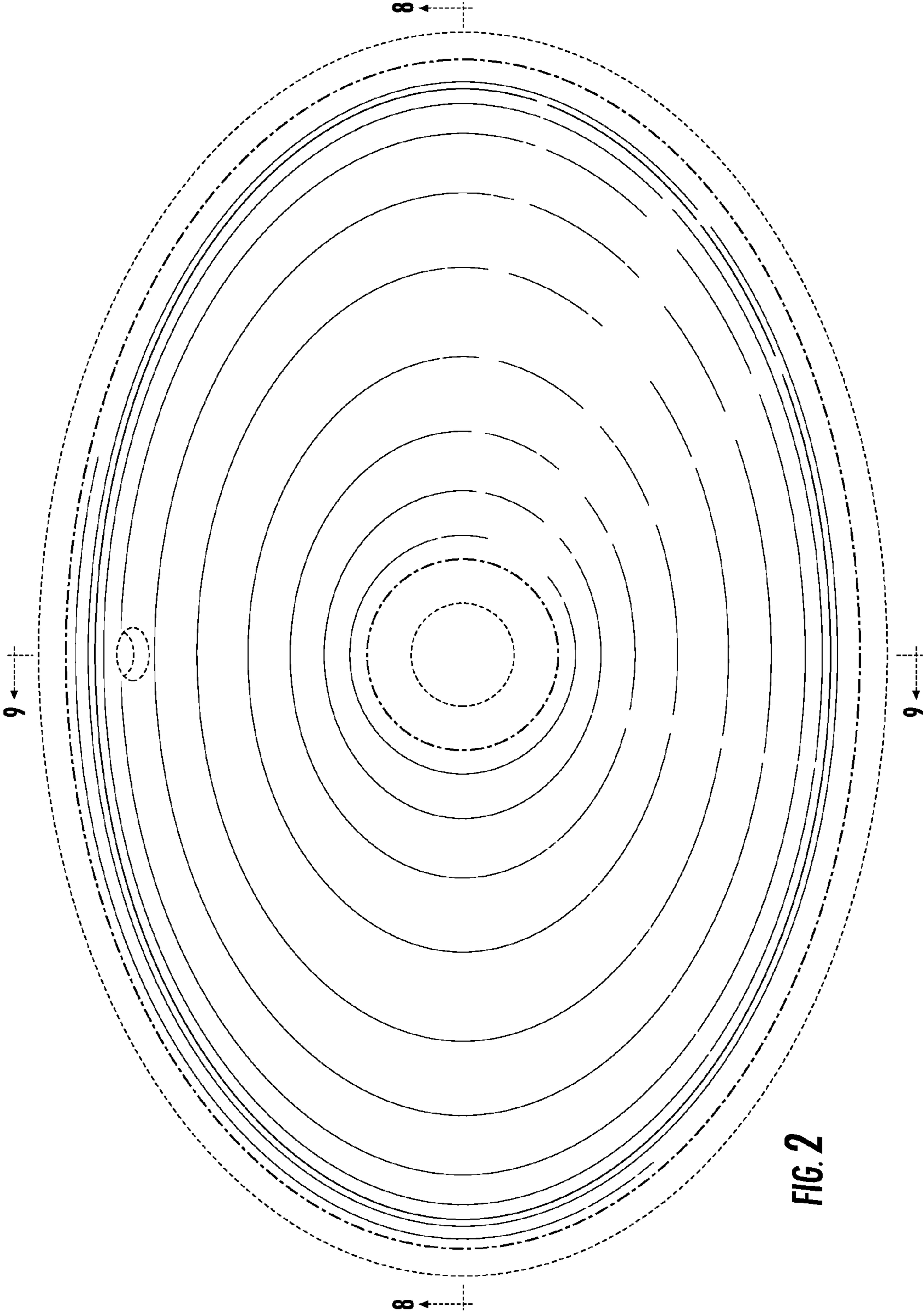


FIG. 2

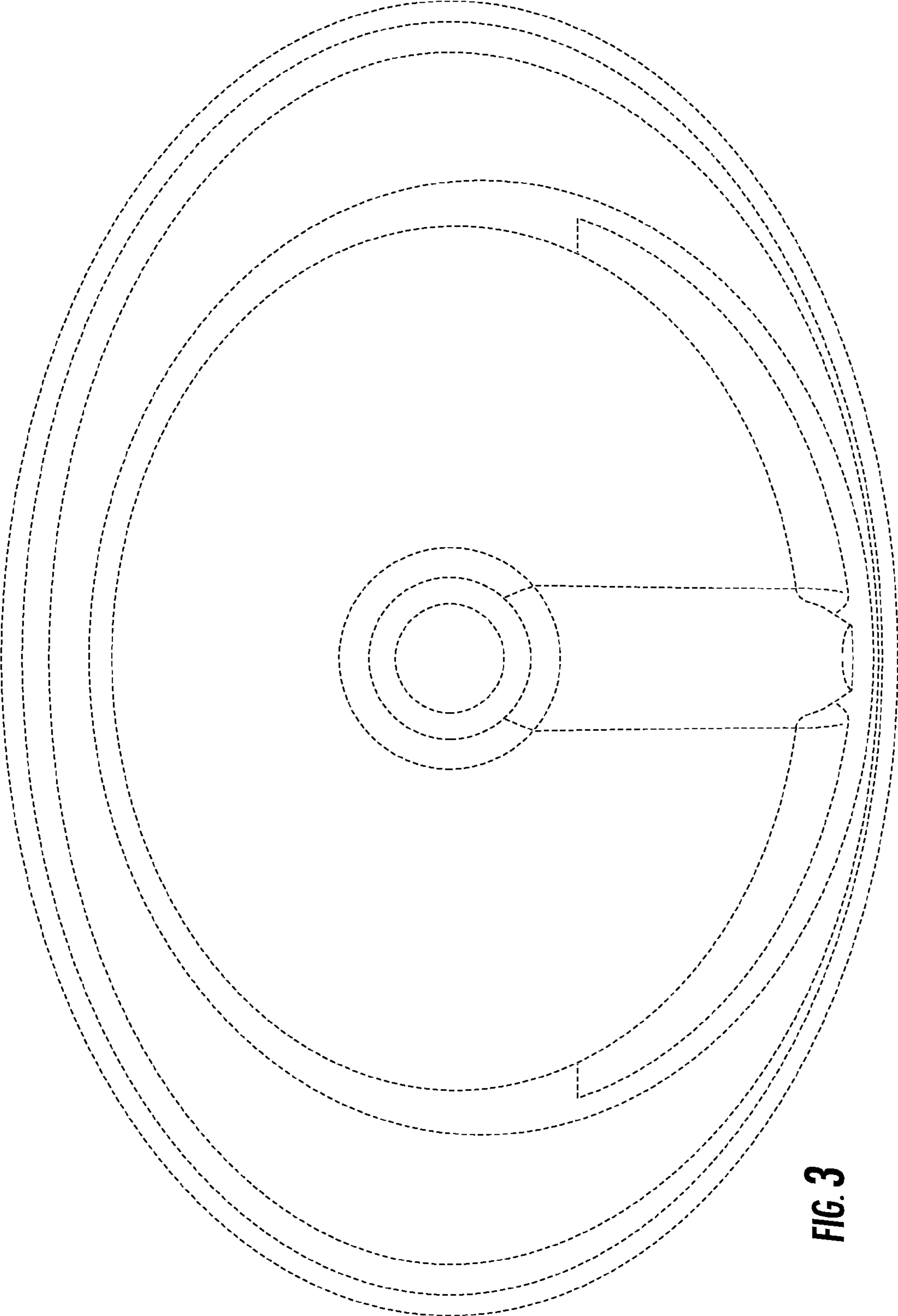


FIG. 3

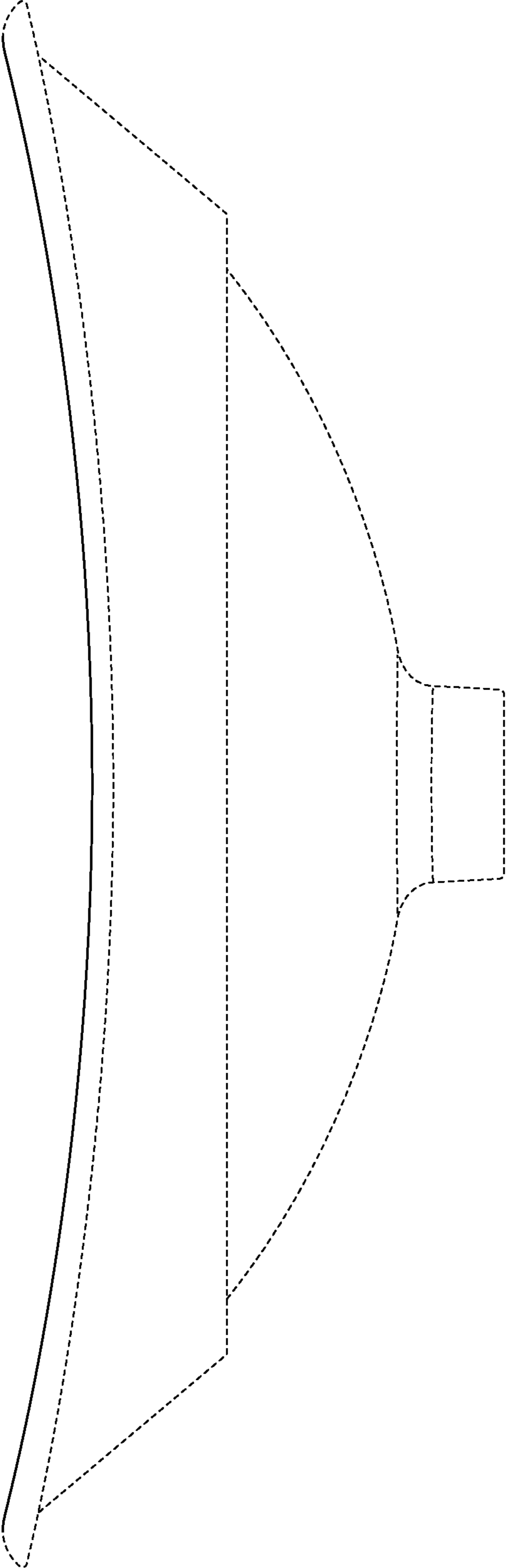


FIG. 4

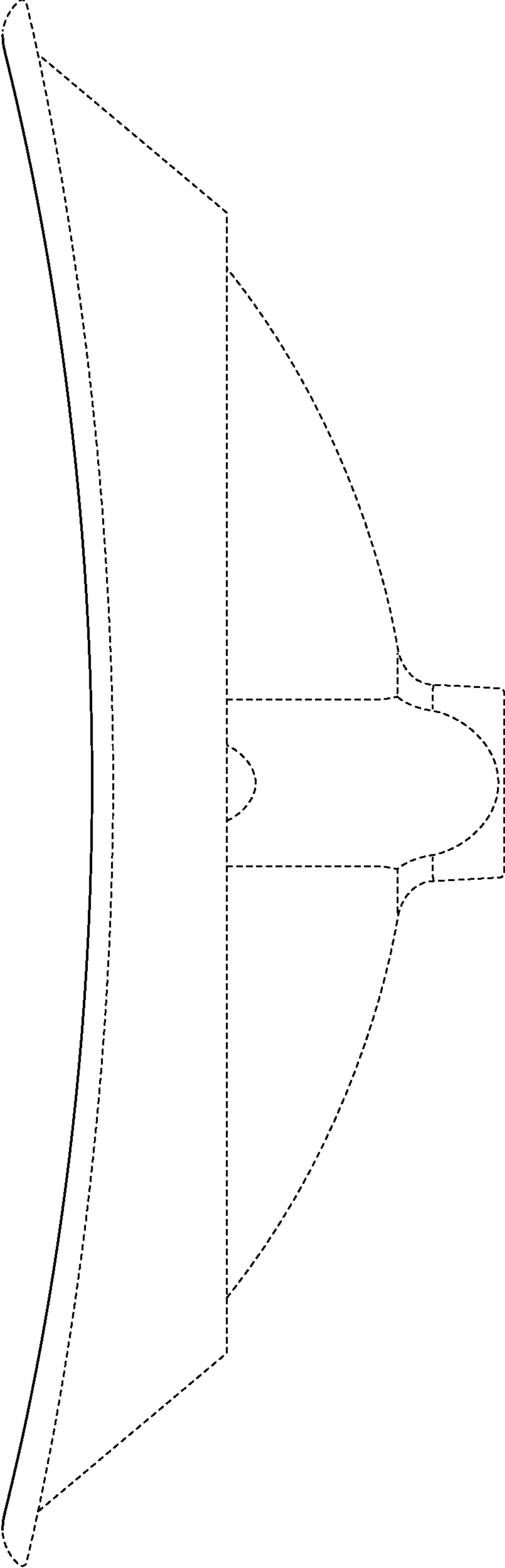


FIG. 5

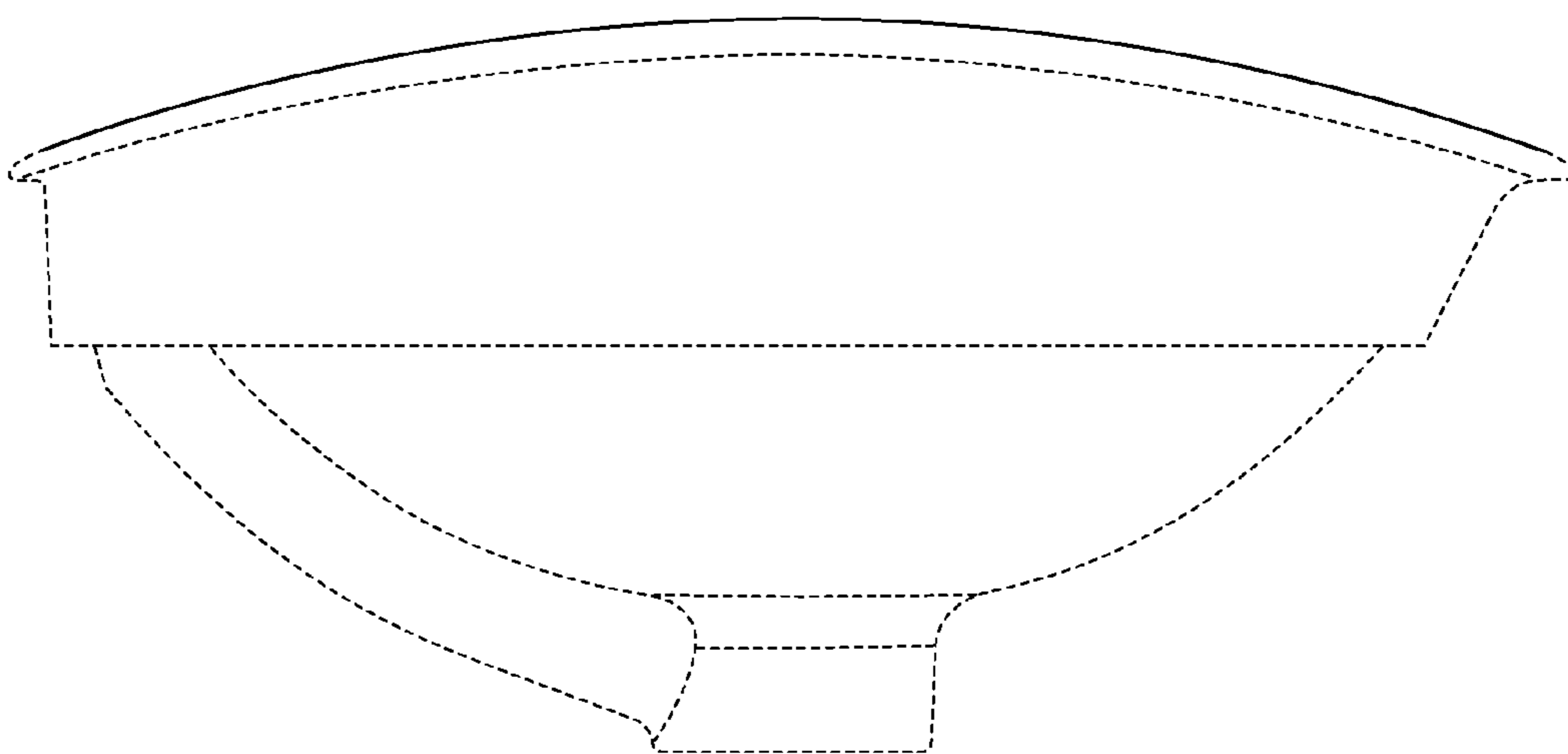


FIG. 6

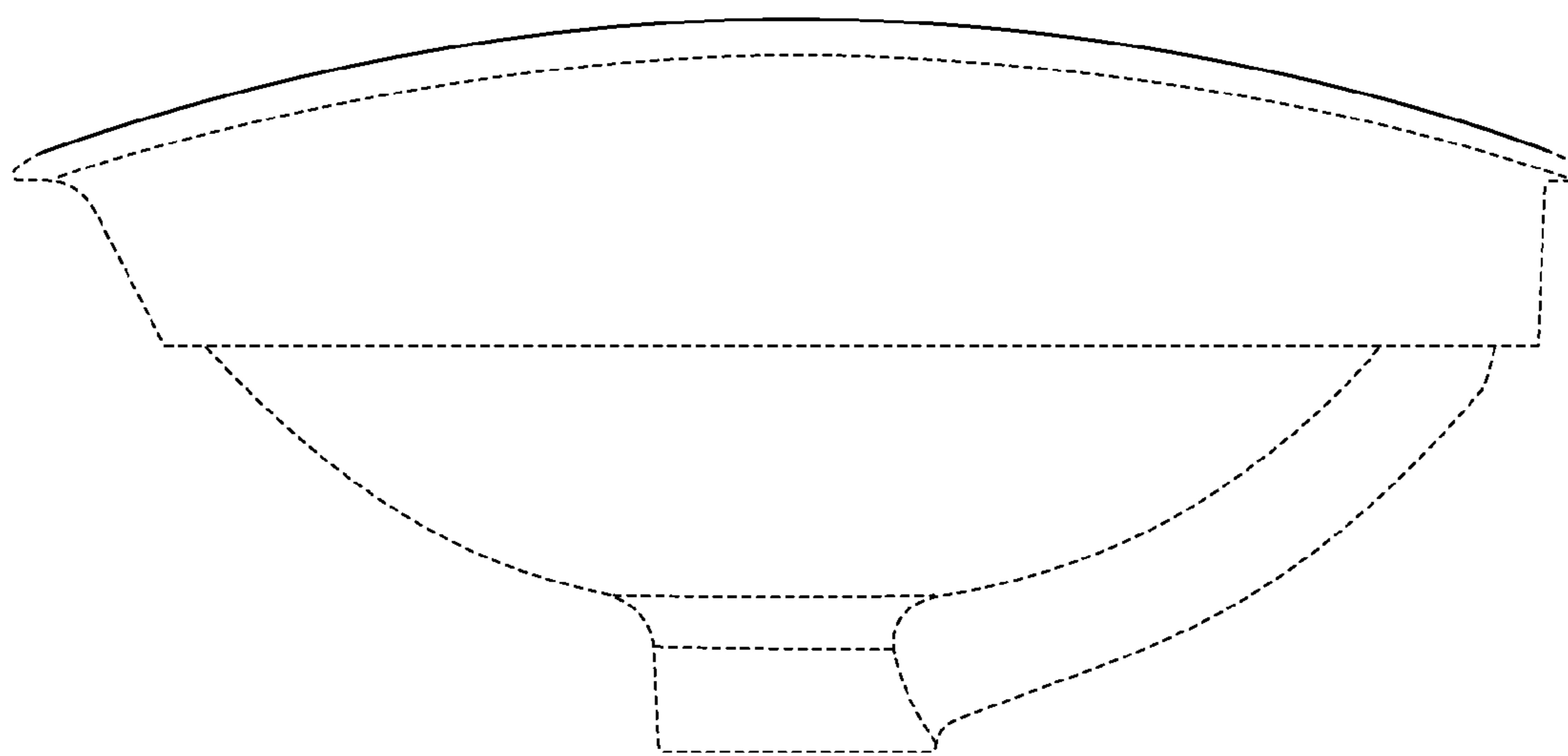


FIG. 7

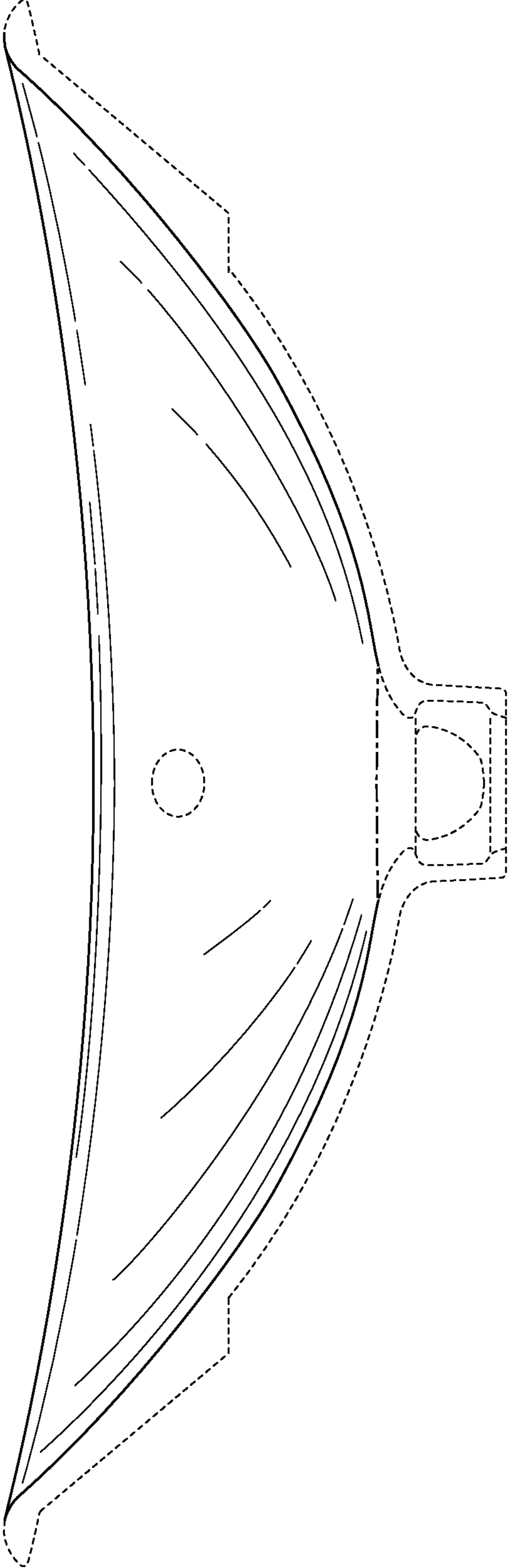


FIG. 8

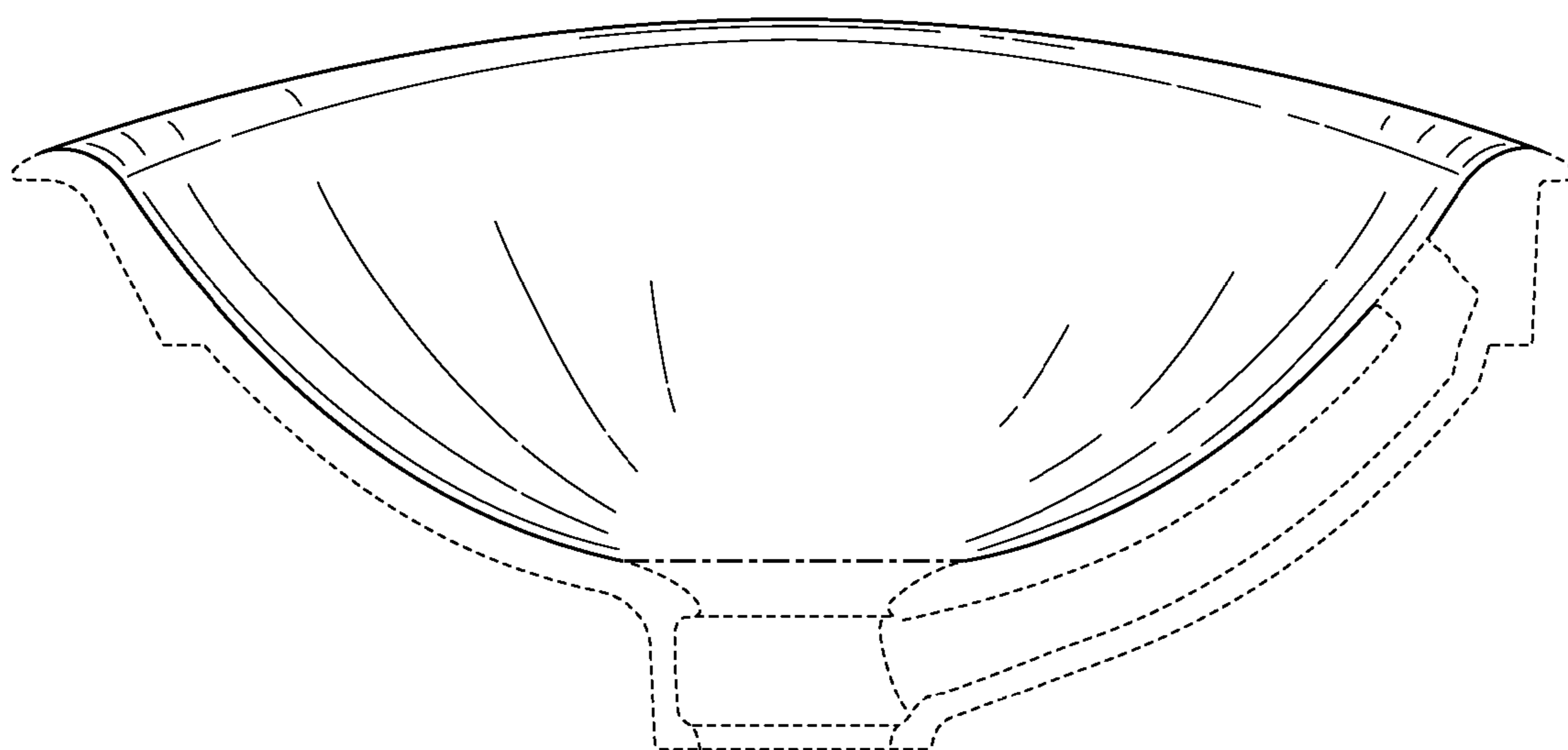


FIG. 9