



US00D746958S

(12) **United States Design Patent**  
**Gledhill et al.**

(10) **Patent No.:** **US D746,958 S**  
(45) **Date of Patent:** **\*\* Jan. 5, 2016**

(54) **PIPE CONNECTION FITTING**

(56) **References Cited**

(71) Applicant: **GSA Industries (Aust.) Pty. Ltd.**,  
Melbourne (AU)  
(72) Inventors: **Jeremy Gledhill**, Dandenong South  
(AU); **William Vernon Kluss**, Woombye  
(AU)  
(73) Assignee: **RELIANCE WORLDWIDE**  
**CORPORATION (AUST.) PTY. LTD.**,  
Melbourne (AU)

U.S. PATENT DOCUMENTS

D296,816	S	*	7/1988	Budzinski .....	D23/262
D667,082	S	*	9/2012	Fukushima .....	D23/235
D667,930	S	*	9/2012	Yamada .....	D23/233
8,327,871	B1		12/2012	Franklin et al.	
D676,940	S		2/2013	Kluss et al.	
D676,941	S	*	2/2013	Kluss .....	D23/262
D676,942	S		2/2013	Kluss et al.	
D676,943	S		2/2013	Kluss et al.	
D693,429	S		11/2013	Thibodeaux, Jr.	
D729,909	S	*	5/2015	Castrigno .....	D23/263
D731,627	S	*	6/2015	Guest .....	D23/262

(\*\*) Term: **14 Years**

FOREIGN PATENT DOCUMENTS

EP 0897082 A1 2/1999

(21) Appl. No.: **29/500,102**

\* cited by examiner

(22) Filed: **Aug. 21, 2014**

*Primary Examiner* — Sandra Snapp  
(74) *Attorney, Agent, or Firm* — Bush Intellectual Property  
Law; Kenneth M. Bush

(30) **Foreign Application Priority Data**

(57) **CLAIM**

Feb. 28, 2014 (AU) ..... 10929/2014

The ornamental design for a pipe connection fitting, as shown  
and described.

(51) **LOC (10) Cl.** ..... **23-01**

**DESCRIPTION**

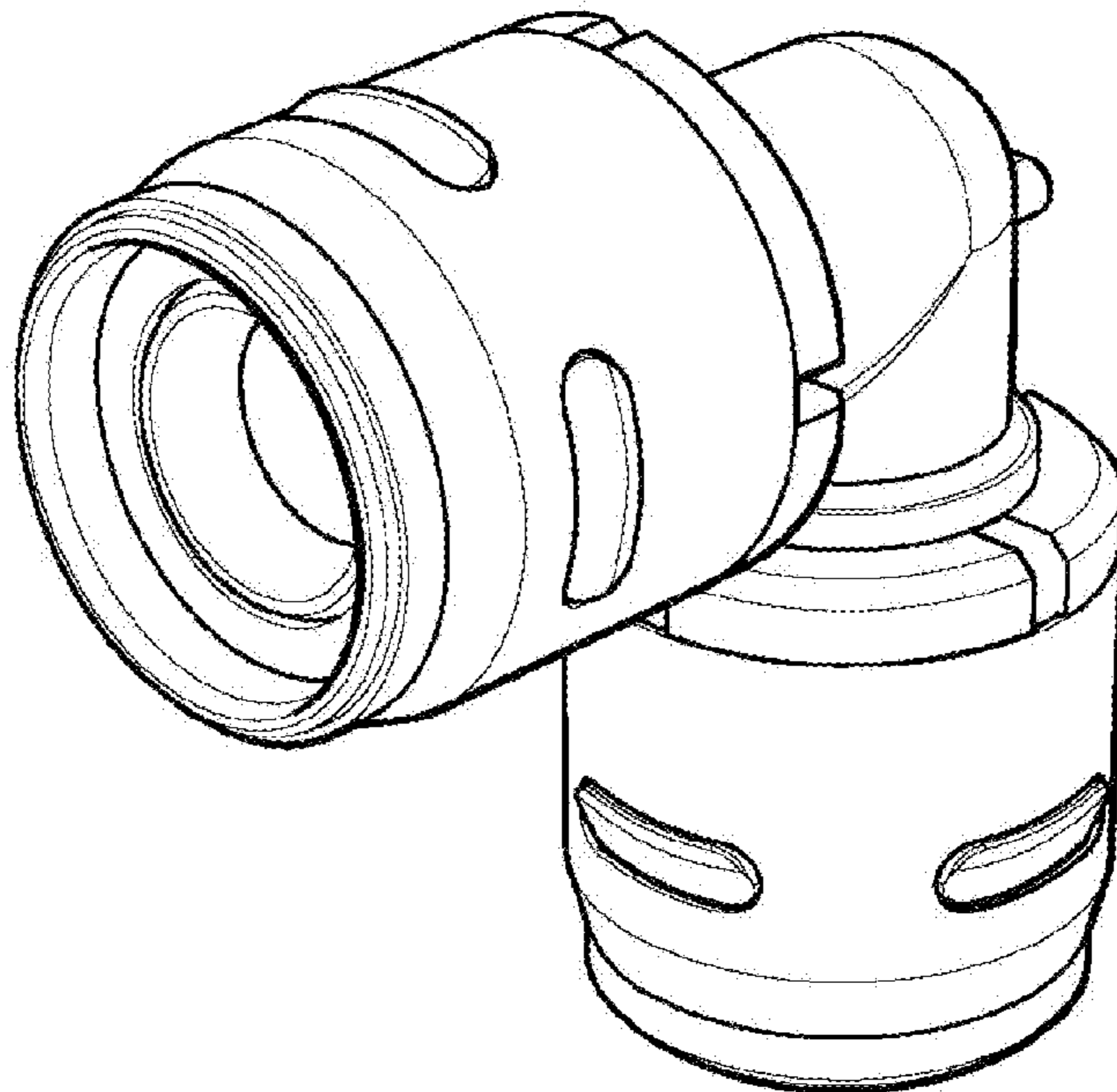
(52) **U.S. Cl.**  
USPC ..... **D23/262**

(58) **Field of Classification Search**  
USPC ..... D23/259–263, 266–269, 233; 251/215,  
251/216; 285/369, 372, 373, 417, 133.11,  
285/133.3, 133.21, 133.4, 133.5, 133.6  
CPC ..... F16L 11/00; F16L 37/252; F16L 41/007;  
E03C 1/26; E03C 1/262; E03C 1/28; E03F  
5/04; A61B 5/00; A61M 25/09016

FIG. 1 is a front perspective view from above of an ornamental  
design for a pipe connection fitting;  
FIG. 2 is a rear perspective view from below thereof;  
FIG. 3 is a front view thereof;  
FIG. 4 is a rear view thereof;  
FIG. 5 is a plan view thereof;  
FIG. 6 is an underneath view thereof;  
FIG. 7 is a left side view thereof; and,  
FIG. 8 is a right side view thereof.

See application file for complete search history.

**1 Claim, 4 Drawing Sheets**



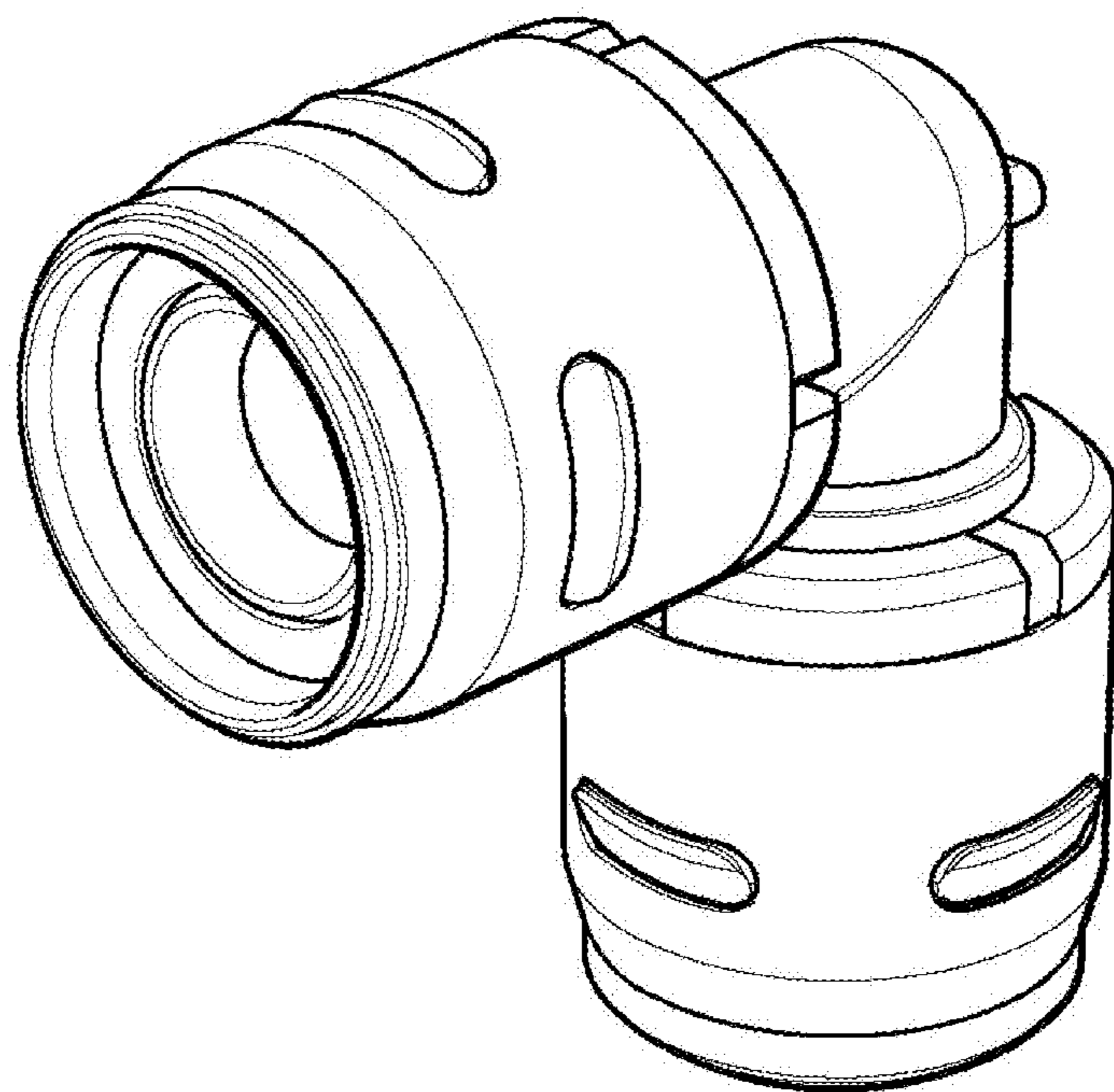


FIG. 1

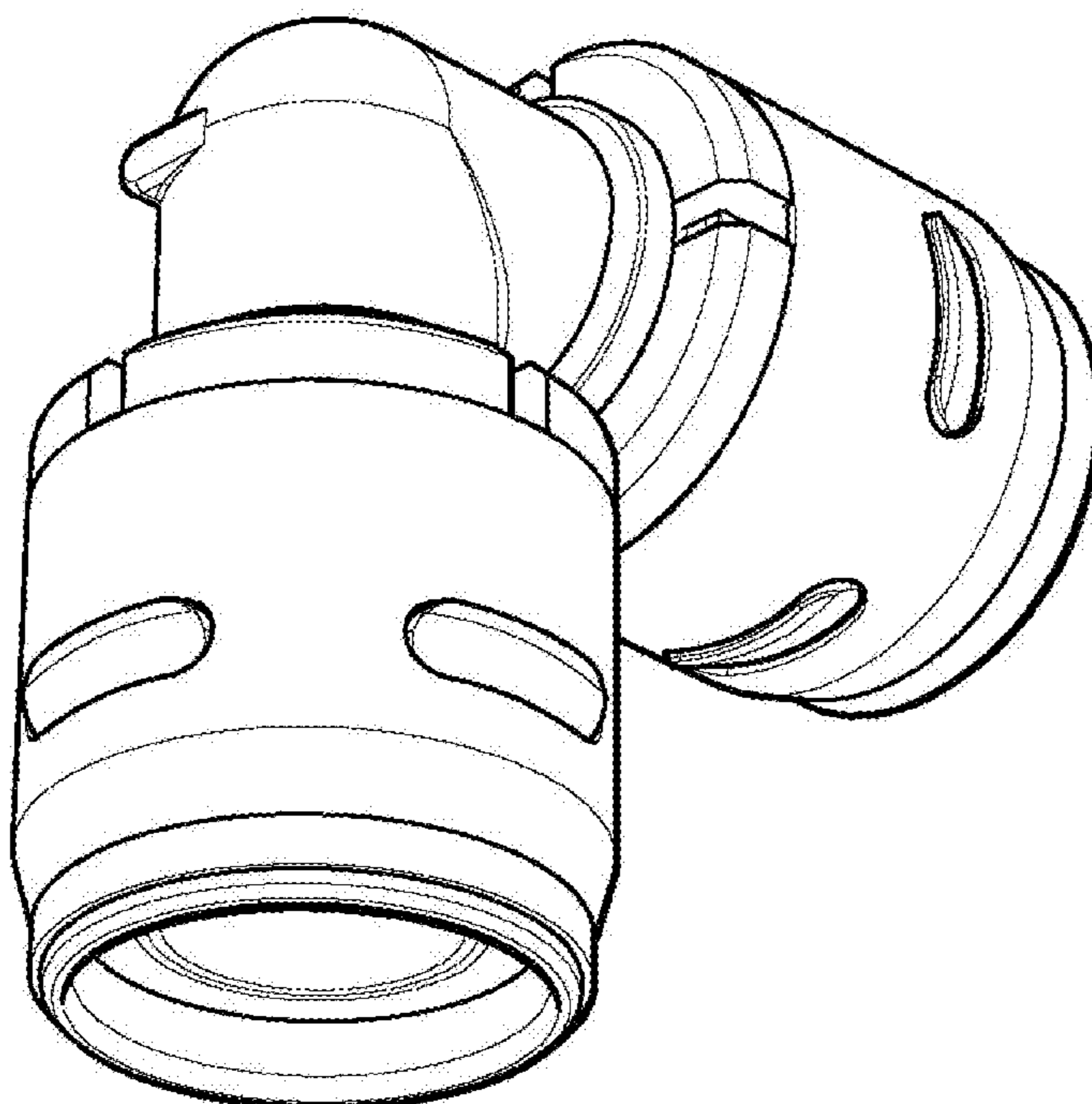


FIG. 2

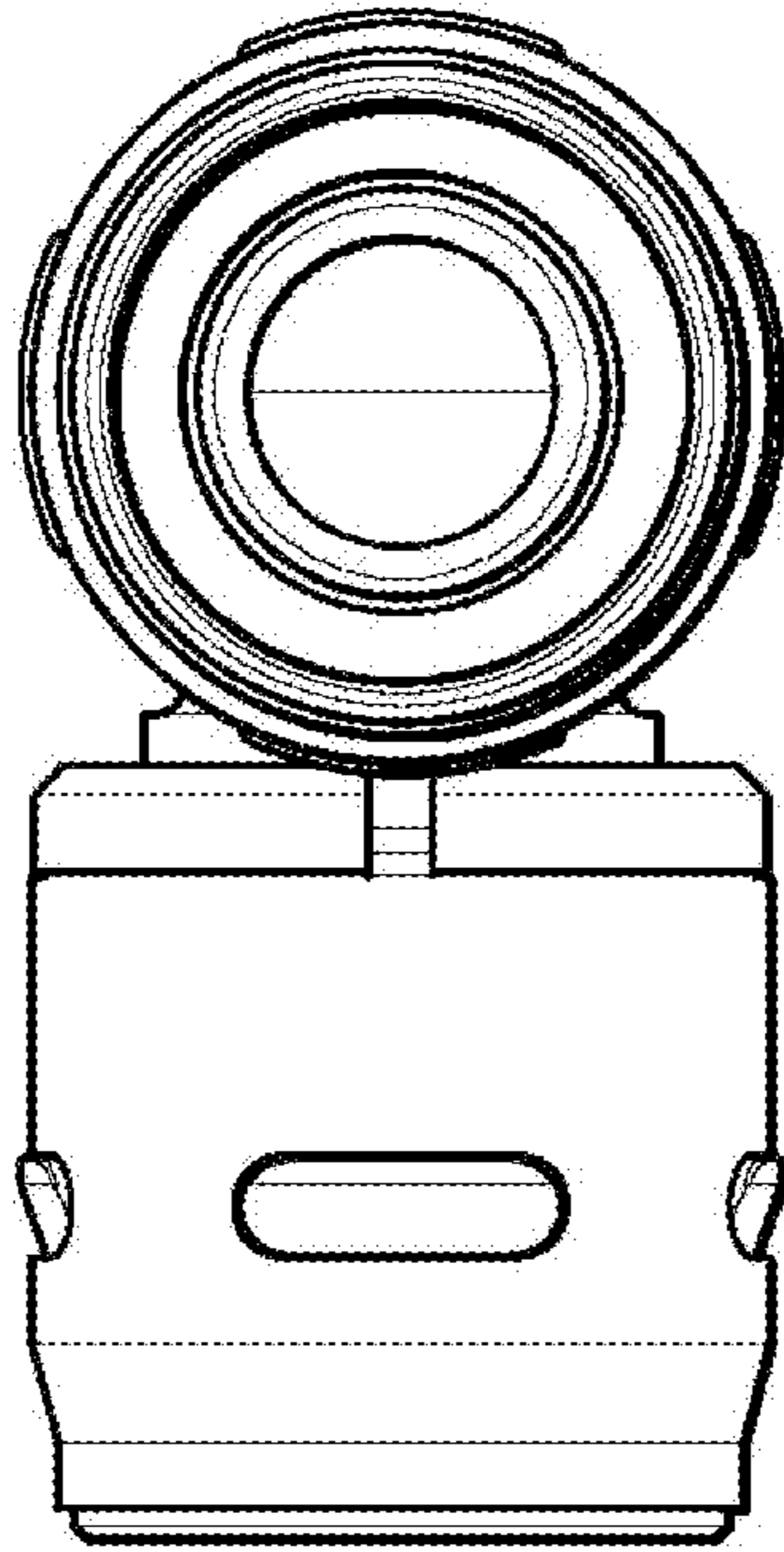


FIG. 3

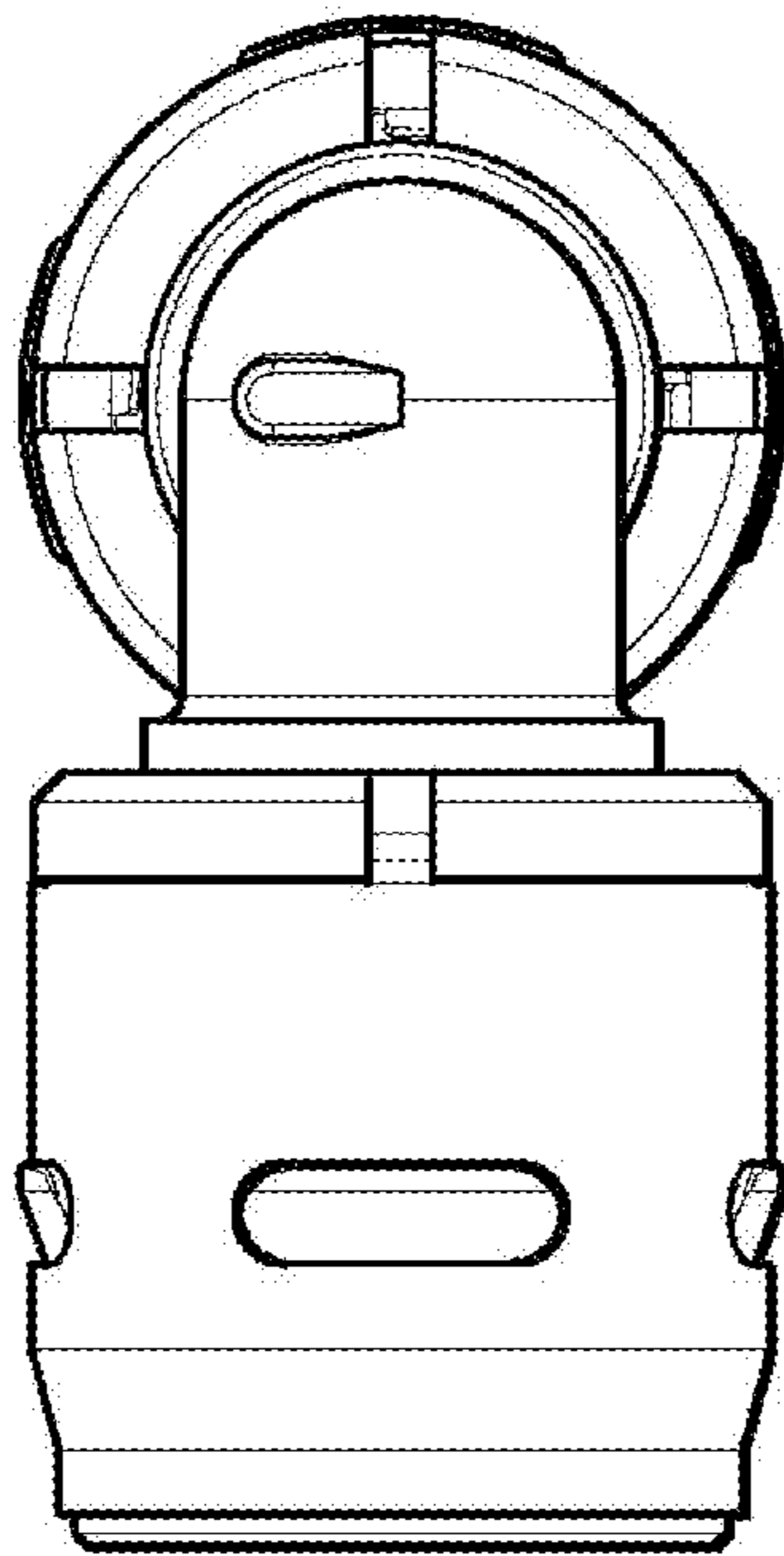


FIG. 4

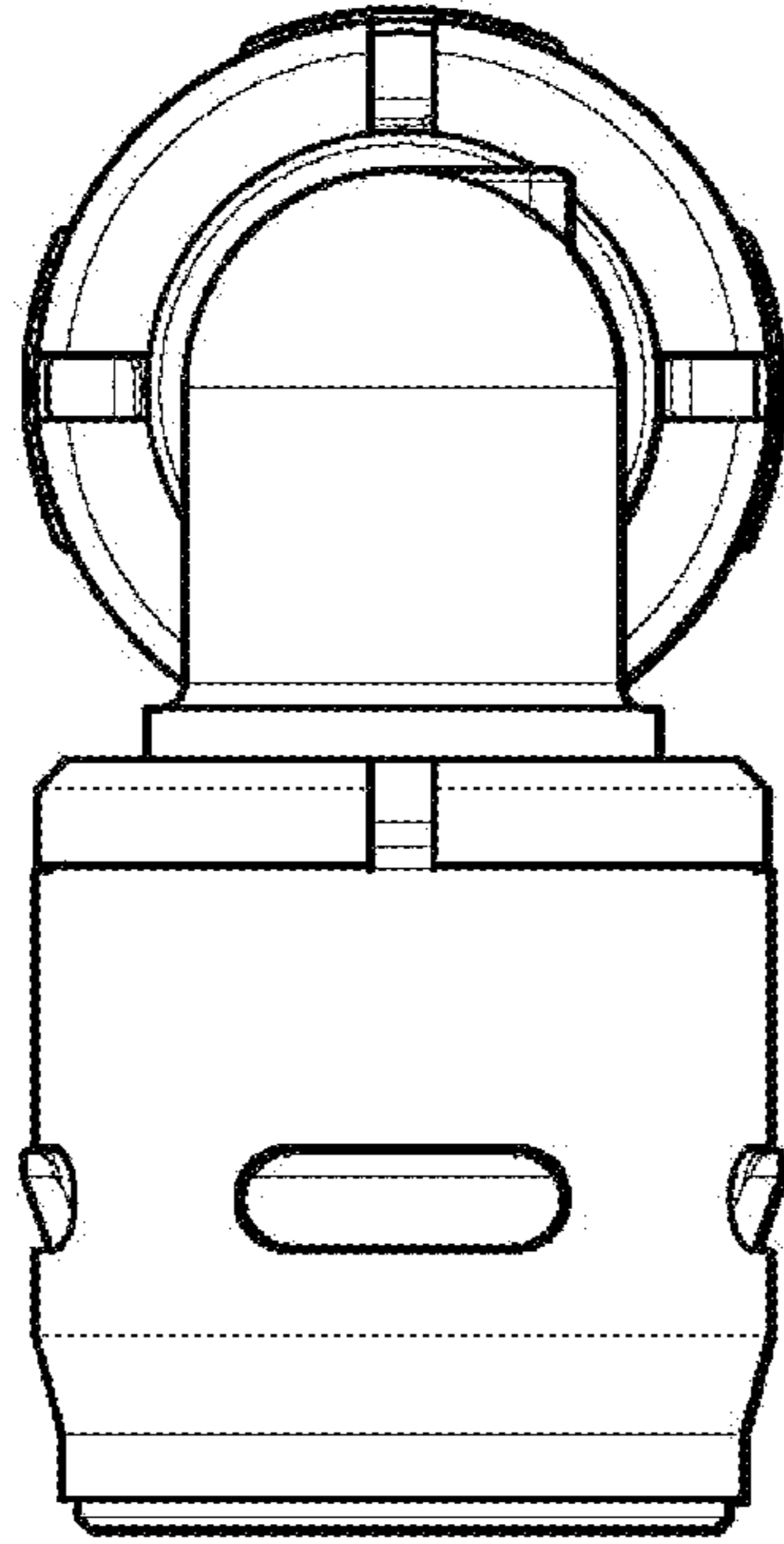


FIG. 5

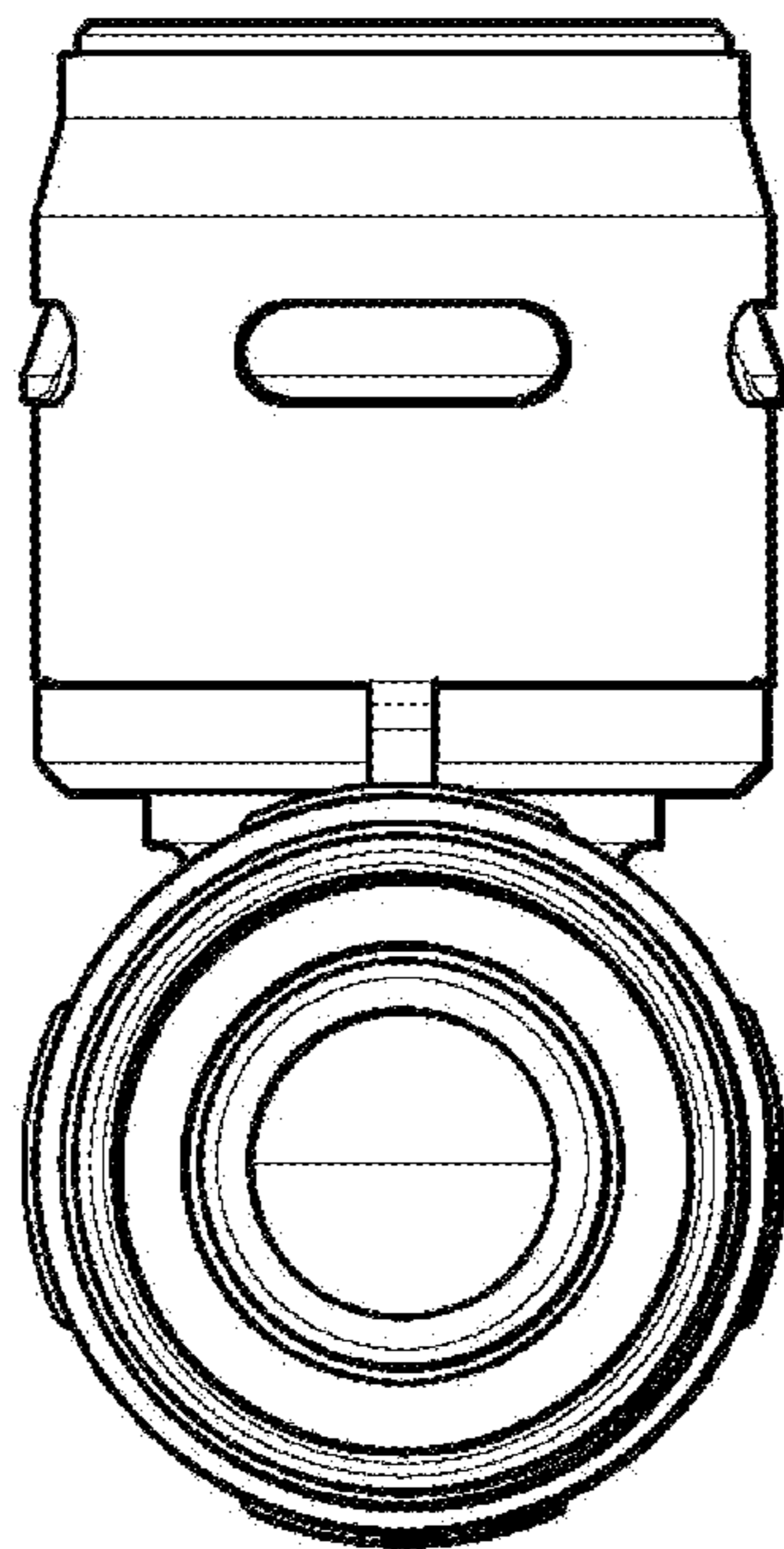


FIG. 6



