



US00D746956S

(12) **United States Design Patent**
Castrigno et al.

(10) **Patent No.:** **US D746,956 S**
(45) **Date of Patent:** **** Jan. 5, 2016**

(54) **TEE FITTING**

FOREIGN PATENT DOCUMENTS

(71) Applicant: **Watts Water Technologies, Inc.**, North Andover, MA (US)

CA 1260663 9/1989

(72) Inventors: **Steven Castrigno**, Manchester, NH (US); **Jeffrey A. Scilingo**, Londonderry, NH (US)

D.P. LaMarca et al., "Advancements in Plastic Pipe System Technology", 2010 IAPMO / WPC Emerging Technology Symposium—May 11-12, 2010.

(73) Assignee: **Watts Water Technologies, Inc.**, North Andover, MA (US)

* cited by examiner

(**) Term: **14 Years**

Primary Examiner — Karen Kearney
Assistant Examiner — John Reickel

(21) Appl. No.: **29/453,630**

(74) *Attorney, Agent, or Firm* — Adler Pollock & Sheehan P.C.; George N. Chaclas, Esq.; Daniel J. Holmander, Esq.

(22) Filed: **May 1, 2013**

(51) **LOC (10) Cl.** **23-01**

(57) **CLAIM**

(52) **U.S. Cl.**
USPC **D23/262**

The ornamental design for a tee fitting, as shown and described.

(58) **Field of Classification Search**

DESCRIPTION

USPC D23/223, 226, 233, 259–269;
285/86–93, 179–182

CPC F16L 2201/20; F16L 2201/60; F16L 2201/10; F16L 37/133; F16L 37/0985; F16L 27/0845; F16L 43/008; B29C 66/5229

See application file for complete search history.

FIG. 1 is a perspective view of the tee fitting according to the present disclosure.

FIG. 2 is a front view of the tee fitting according to the present disclosure.

FIG. 3 is a back view of the tee fitting according to the present disclosure.

FIG. 4 is a top view of the tee fitting according to the present disclosure.

FIG. 5 is a bottom view of the tee fitting according to the present disclosure.

FIG. 6 is a side view of the tee fitting according to the present disclosure; and,

FIG. 7 is a side view of the tee fitting according to the present disclosure.

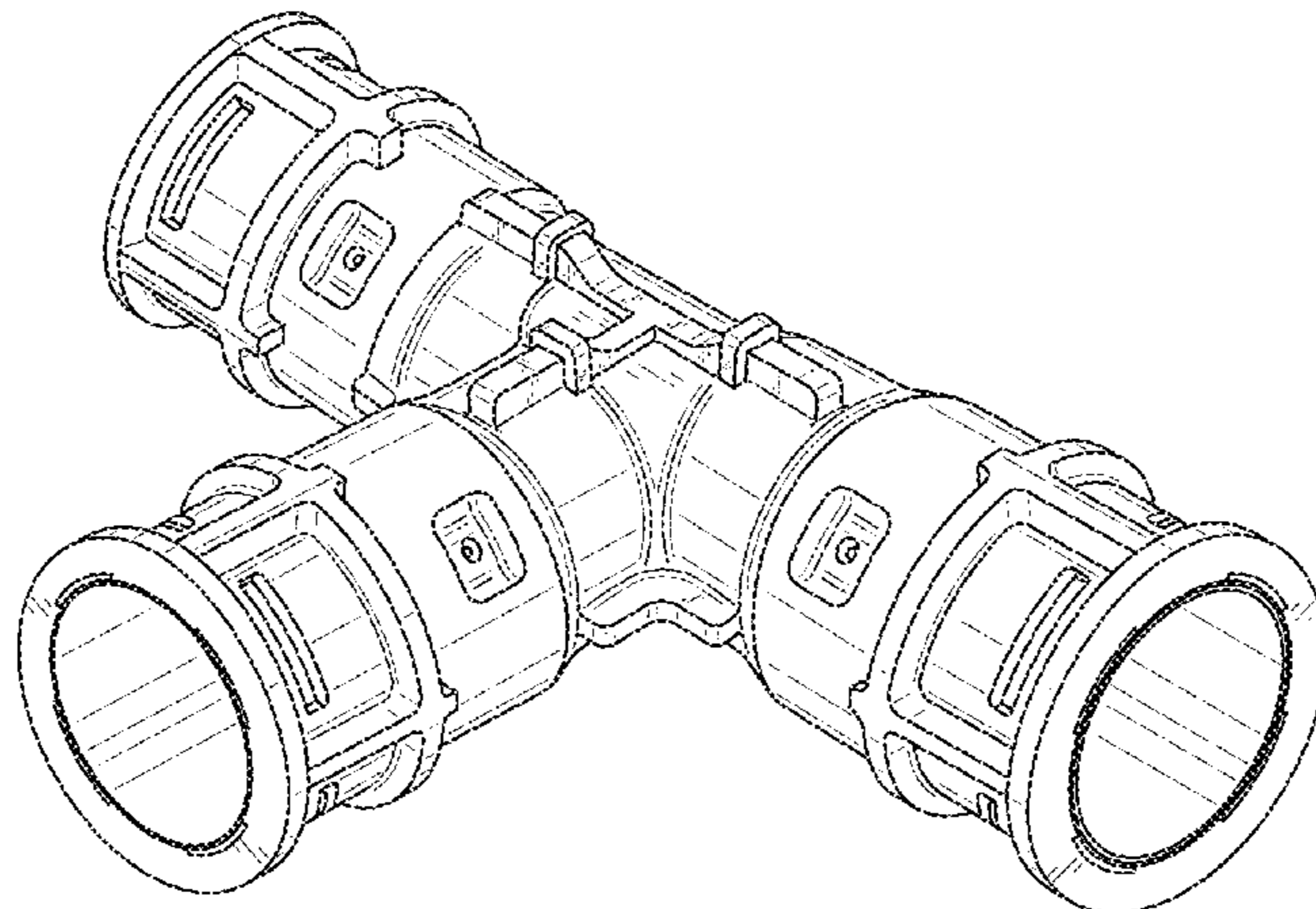
The broken line showing of interior details is included for the purpose of illustrating portions of the tee fitting and forms no part of the claimed design.

(56) **References Cited**

U.S. PATENT DOCUMENTS

3,825,286	A *	7/1974	Henry, III	285/93
D239,448	S *	4/1976	Kazienko et al.	D23/259
4,786,088	A *	11/1988	Ziu	285/123.1
D354,801	S *	1/1995	Grant et al.	D23/263
D597,182	S *	7/2009	Choi	D23/263
D632,165	S *	2/2011	Daniel et al.	D8/382
7,984,738	B2	7/2011	LaMarca et al.	
D676,942	S *	2/2013	Kluss et al.	D23/262
D709,994	S *	7/2014	King et al.	D23/259
2002/0163191	A1*	11/2002	Muenster et al.	285/331
2006/0197338	A1	9/2006	Ziu et al.	
2009/0314770	A1	12/2009	LaMarca et al.	
2010/0072742	A1	3/2010	LaMarca et al.	

1 Claim, 4 Drawing Sheets



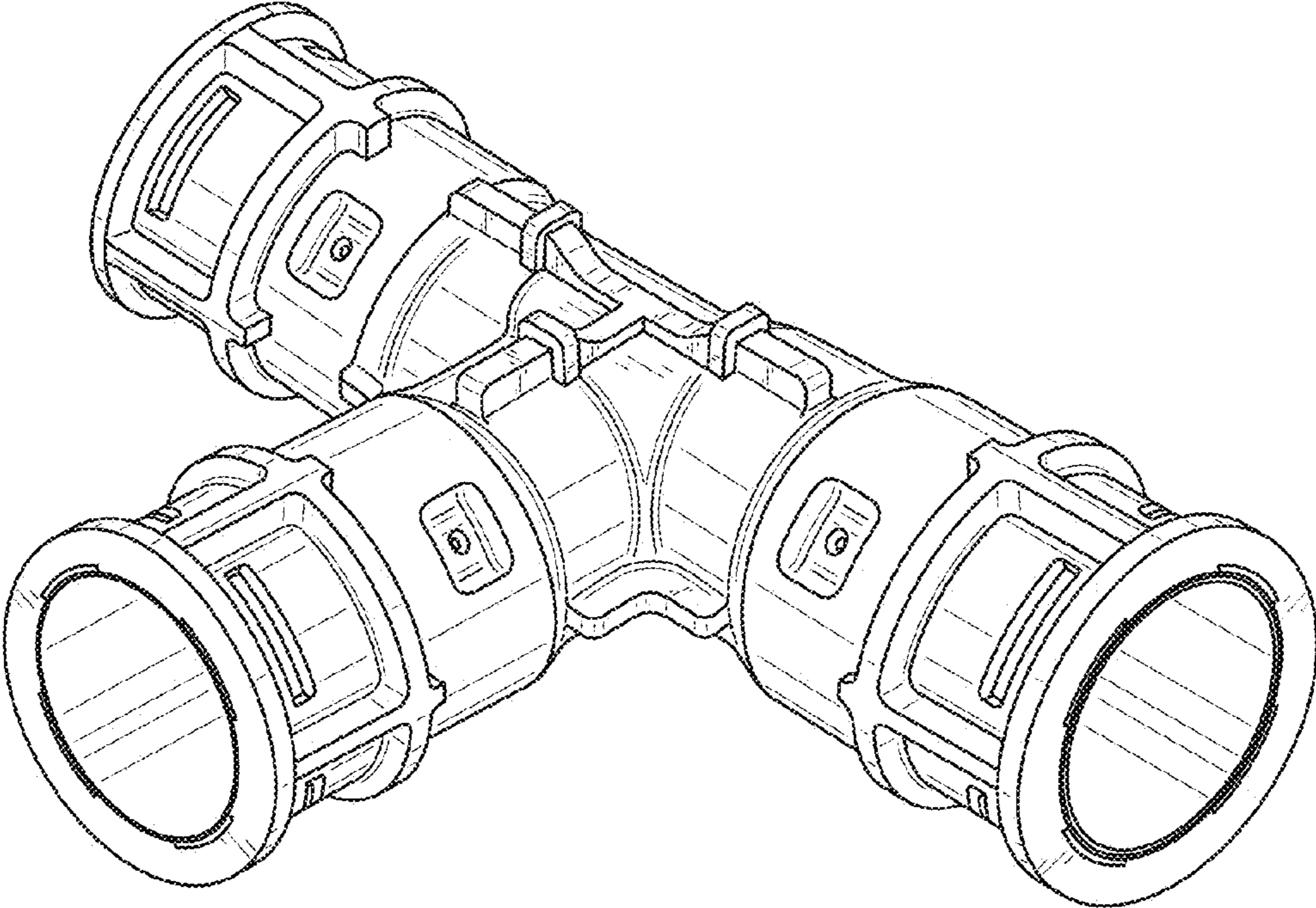


FIG. 1

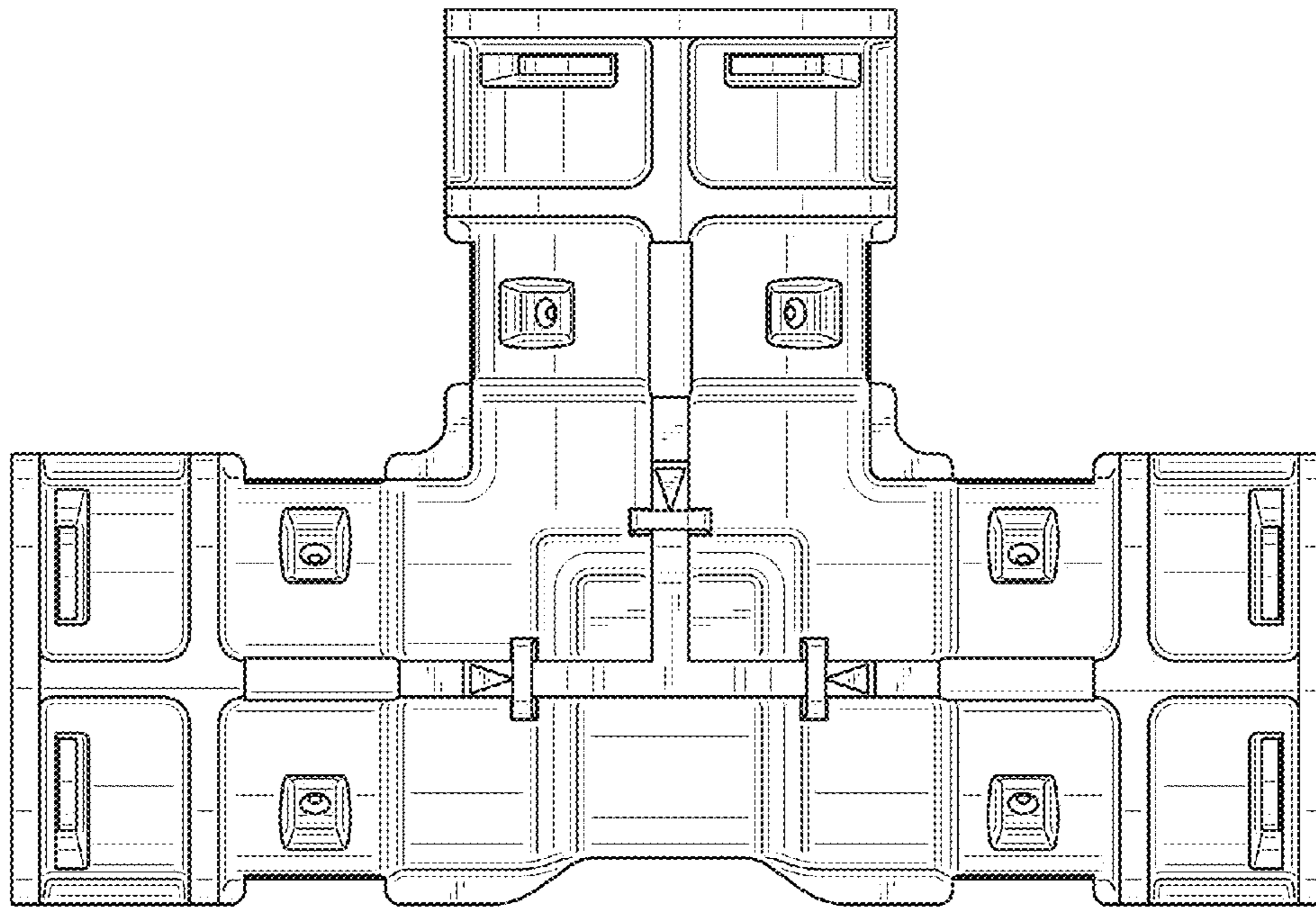


FIG. 2

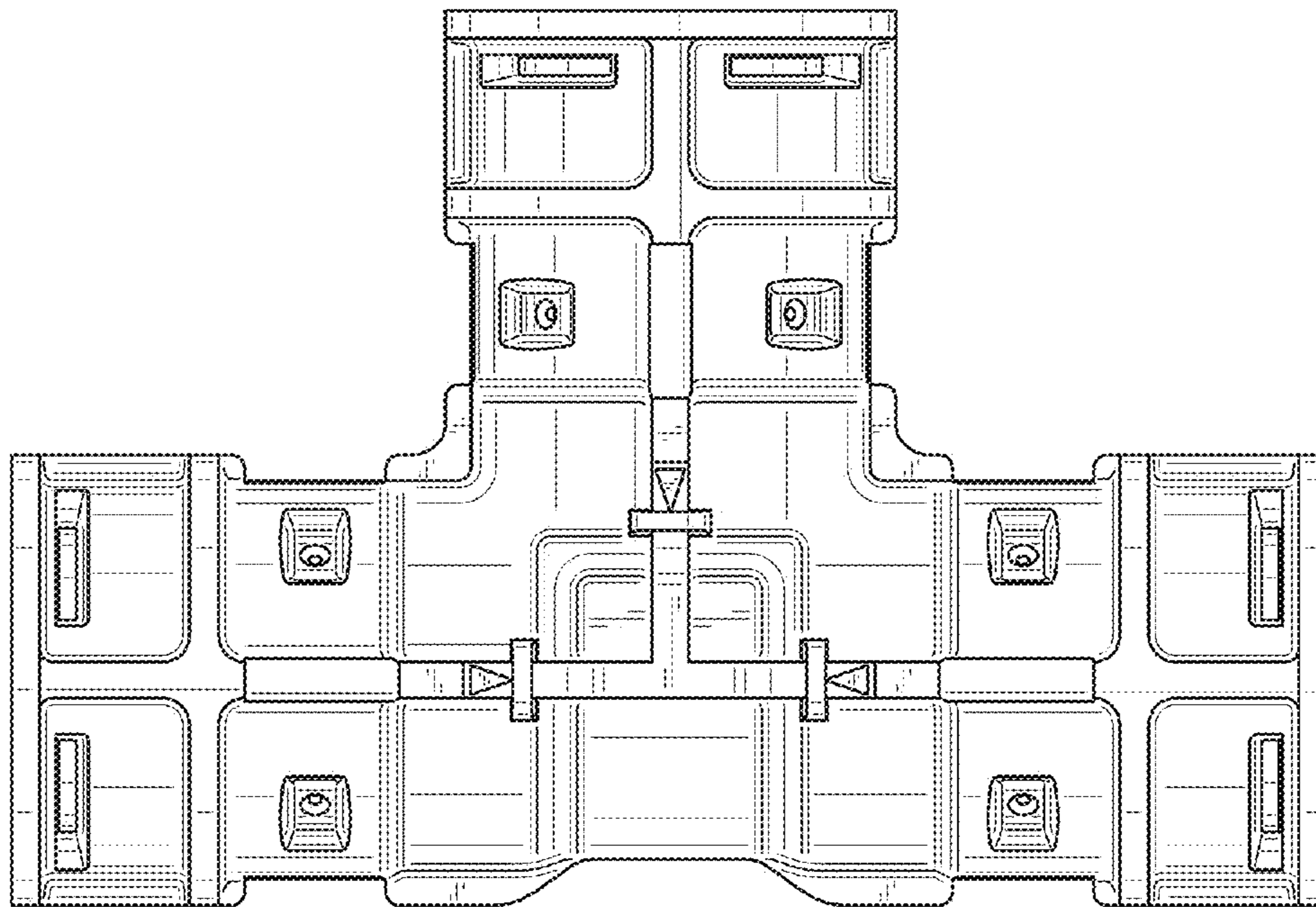


FIG. 3

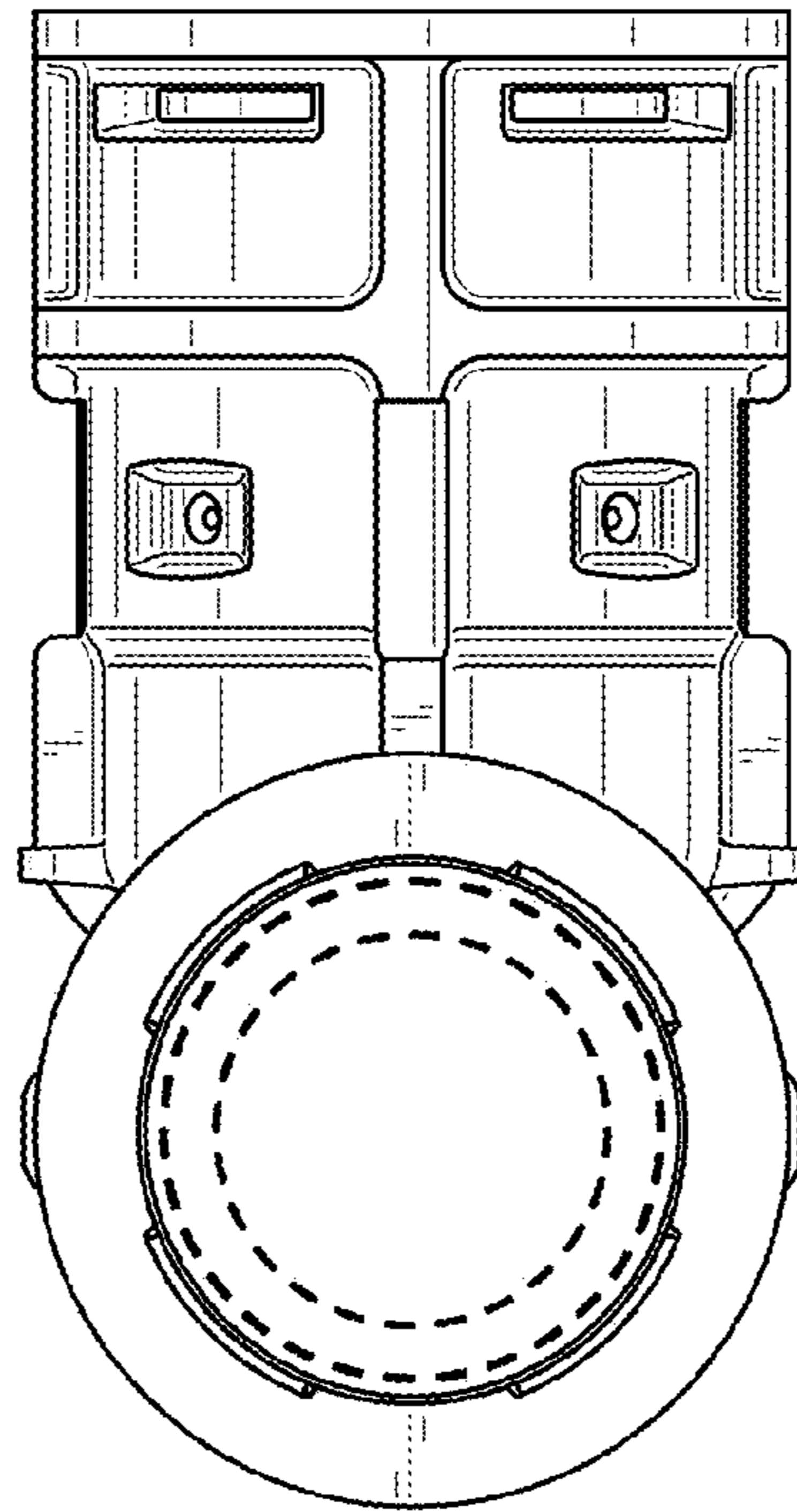


FIG. 4

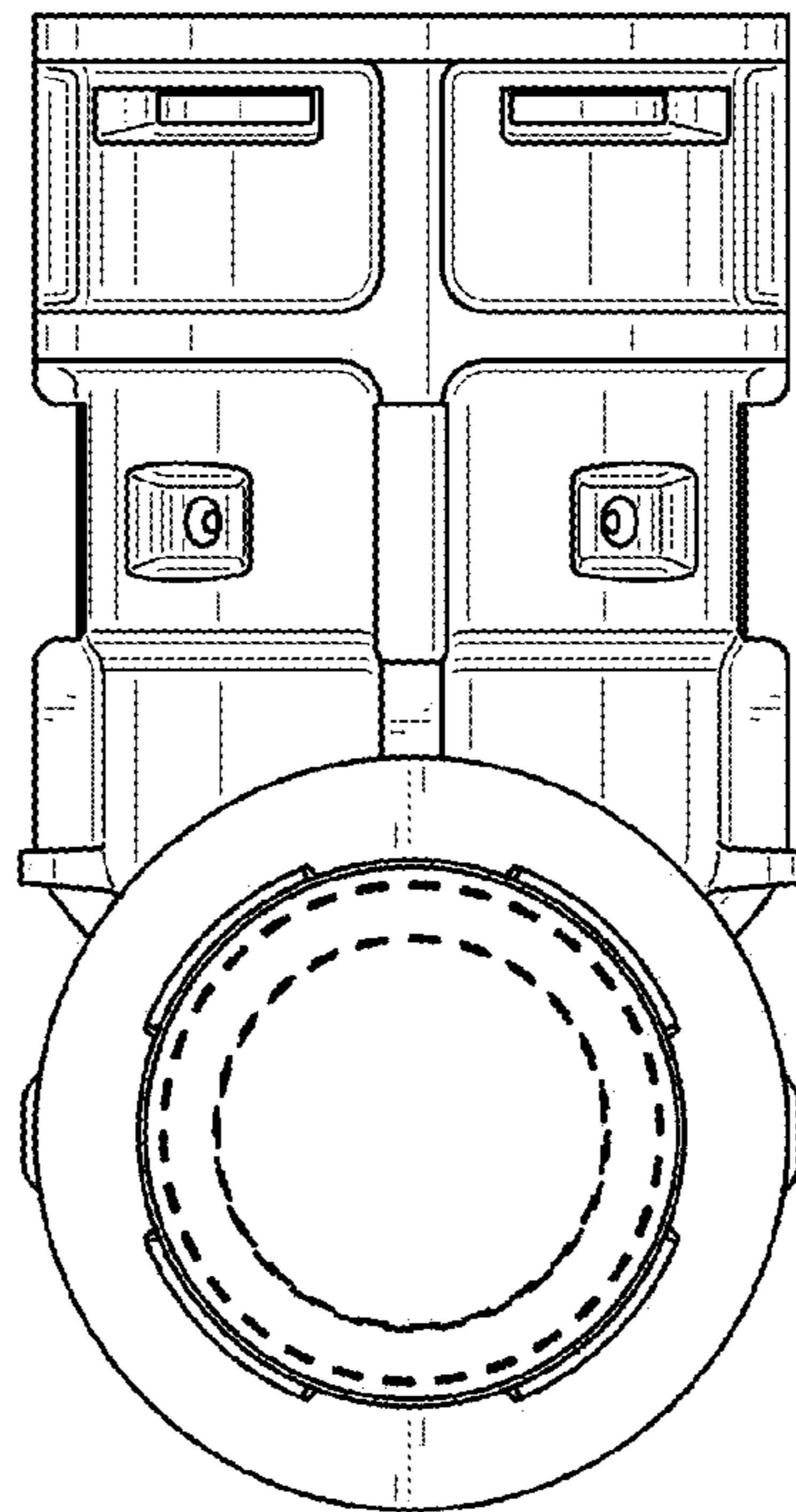


FIG. 5

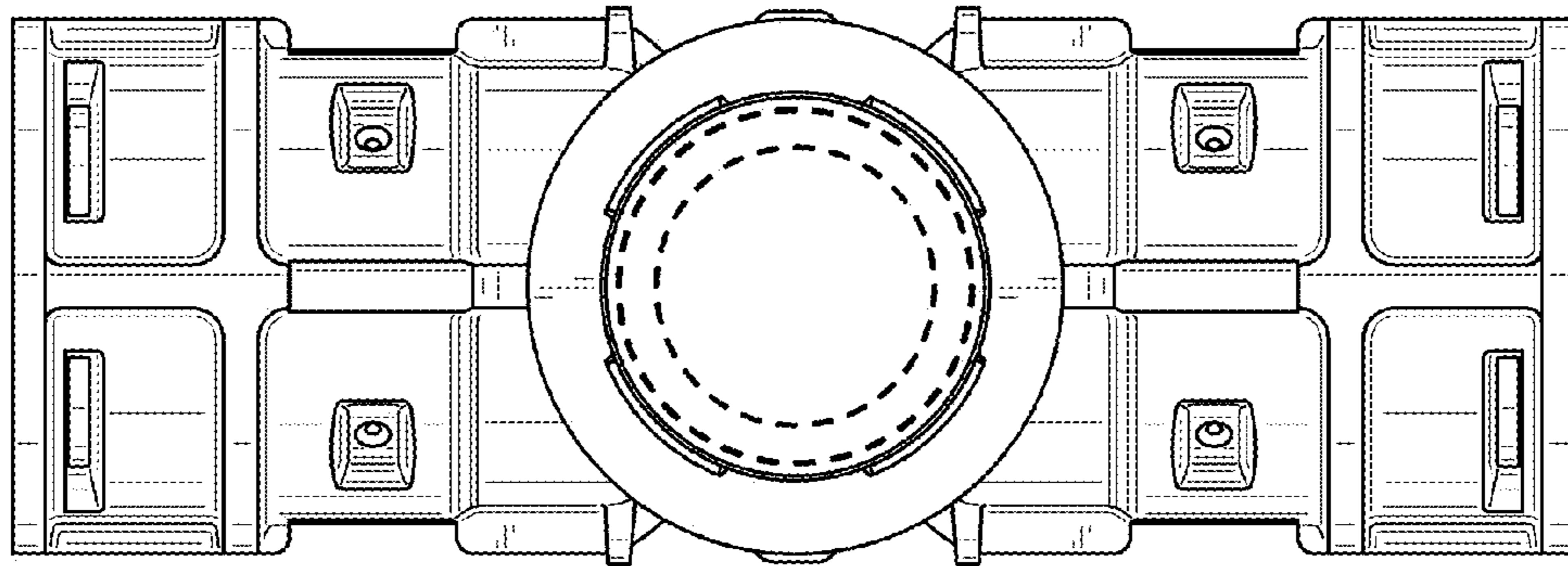


FIG. 6

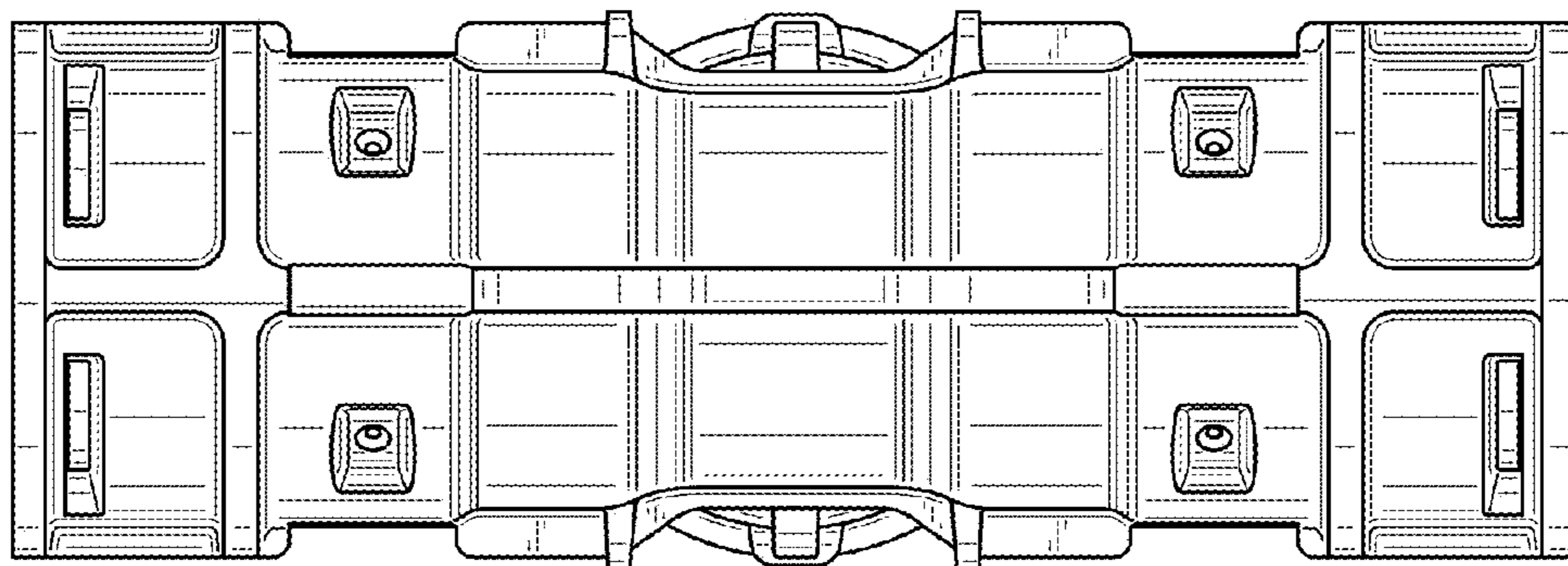


FIG. 7