



US00D746953S

(12) **United States Design Patent**
Gledhill et al.

(10) **Patent No.:** **US D746,953 S**
(45) **Date of Patent:** **** Jan. 5, 2016**

- (54) **PIPE CONNECTION FITTING**
- (71) Applicant: **GSA Industries (Aust.) Pty. Ltd.**,
Melbourne (AU)
- (72) Inventors: **Jeremy Gledhill**, Dandenong South
(AU); **William Vernon Kluss**, Woombye
(AU)
- (73) Assignee: **RELIANCE WORLDWIDE**
CORPORATION (AUST.) PTY. LTD.,
Melbourne (AU)
- (**) Term: **14 Years**

D648,008 S *	11/2011	Percoco	D23/262
8,327,871 B1	12/2012	Franklin et al.	
D676,940 S *	2/2013	Kluss et al.	
D676,941 S *	2/2013	Kluss et al.	
D676,942 S *	2/2013	Kluss et al.	
D676,943 S *	2/2013	Kluss et al.	
D687,528 S *	8/2013	Meyer	D23/262
D693,429 S *	11/2013	Thibodeaux, Jr.	
D711,516 S *	8/2014	Guest	D23/262
D712,014 S *	8/2014	Guest	D23/262
D716,916 S *	11/2014	Snow	D23/262
D733,846 S *	7/2015	Guest	D23/262
2008/0238087 A1 *	10/2008	Wang	F16L 25/009 285/39
2013/0257043 A1 *	10/2013	Guest	F16L 37/101 285/322

- (21) Appl. No.: **29/500,101**
- (22) Filed: **Aug. 21, 2014**
- (30) **Foreign Application Priority Data**
Feb. 28, 2014 (AU) 10927/2014
- (51) **LOC (10) Cl.** **23-01**
- (52) **U.S. Cl.**
USPC **D23/259**
- (58) **Field of Classification Search**
USPC D23/259-263, 266-269, 233; 251/215,
251/216; 285/369, 372, 373, 417, 133.11,
285/133.3, 133.21, 133.4, 133.5, 133.6
CPC F16L 11/00; F16L 37/252; F16L 41/007;
E03C 1/26; E03C 1/262; E03C 1/28; E03F
5/04; A61B 5/00; A61M 25/09016
See application file for complete search history.

FOREIGN PATENT DOCUMENTS

EP 0897082 A1 2/1999

* cited by examiner

Primary Examiner — Sandra Snapp
(74) *Attorney, Agent, or Firm* — Bush Intellectual Property
Law; Kenneth M. Bush

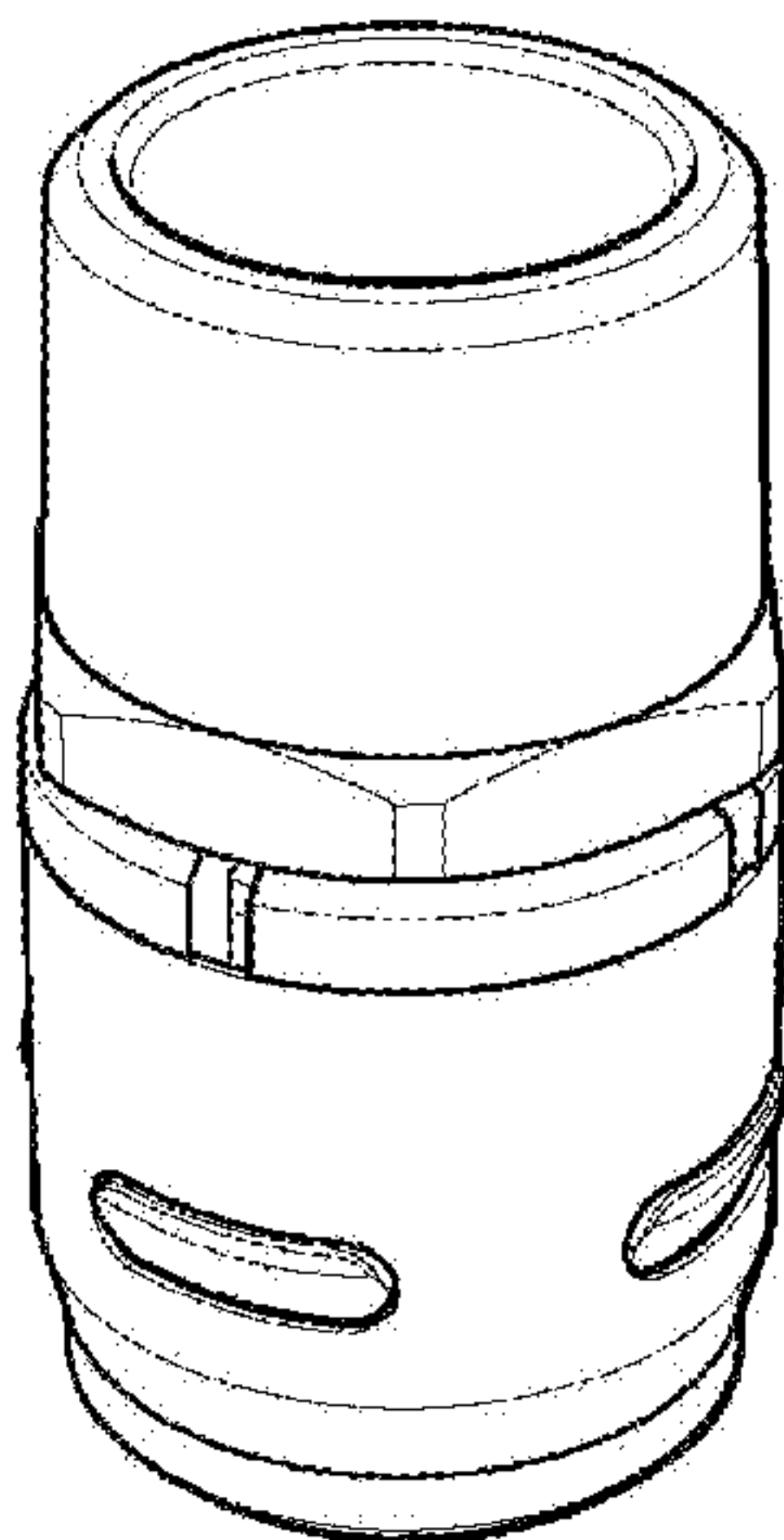
(57) **CLAIM**
The ornamental design for a pipe connection fitting, as shown
and described.

DESCRIPTION

FIG. 1 is a front perspective view from above of an ornamental design for a pipe connection fitting;
FIG. 2 is a rear perspective view from below thereof;
FIG. 3 is a front view thereof;
FIG. 4 is a rear view thereof;
FIG. 5 is a plan view thereof;
FIG. 6 is an underneath view thereof;
FIG. 7 is a left side view thereof; and,
FIG. 8 is a right side view thereof.

1 Claim, 4 Drawing Sheets

- (56) **References Cited**
U.S. PATENT DOCUMENTS
D482,761 S * 11/2003 Gotoh D23/262
D483,096 S * 12/2003 Gotoh D23/235
D575,377 S * 8/2008 Roman D23/259
D597,183 S * 7/2009 Choi D23/263



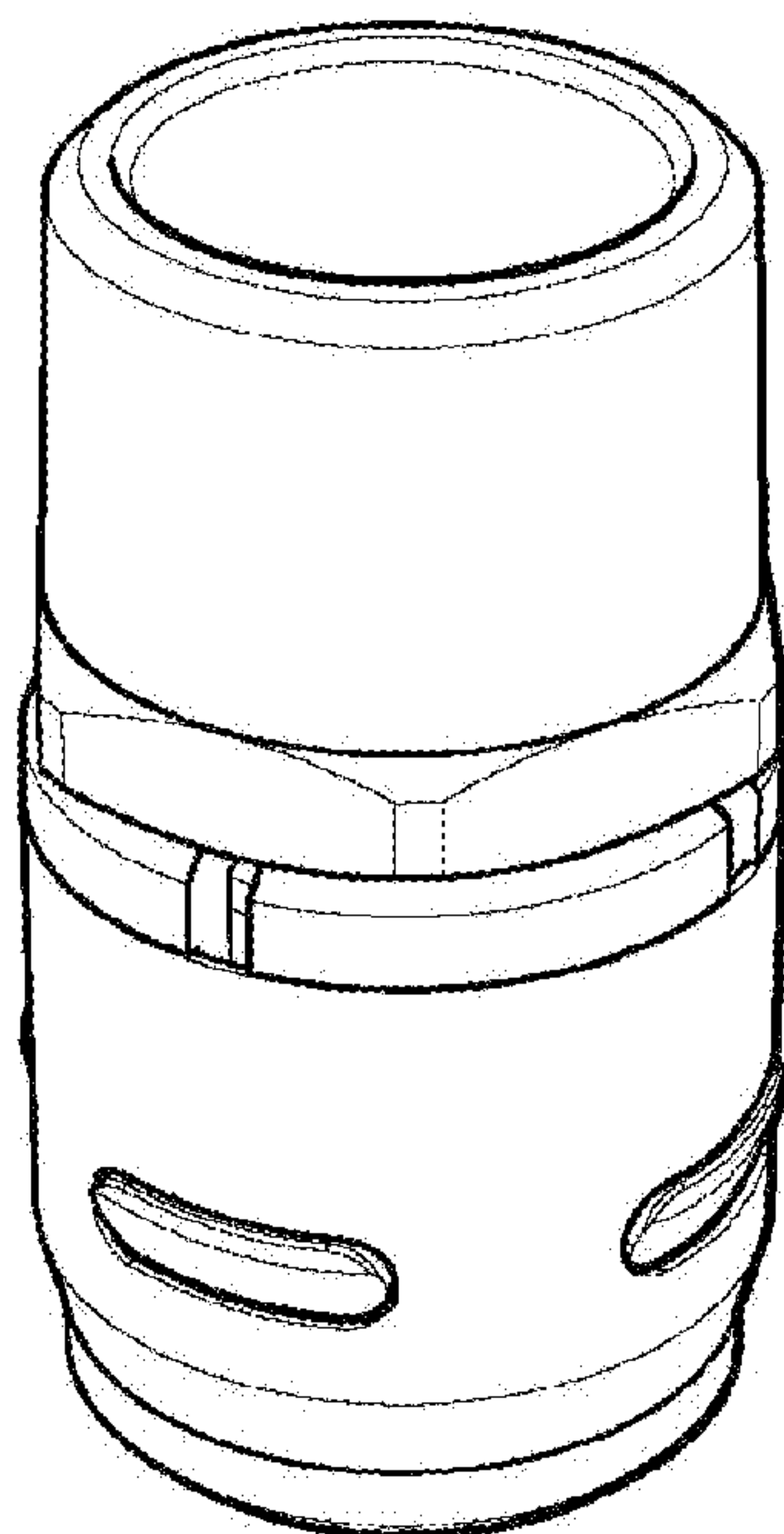


FIG. 1

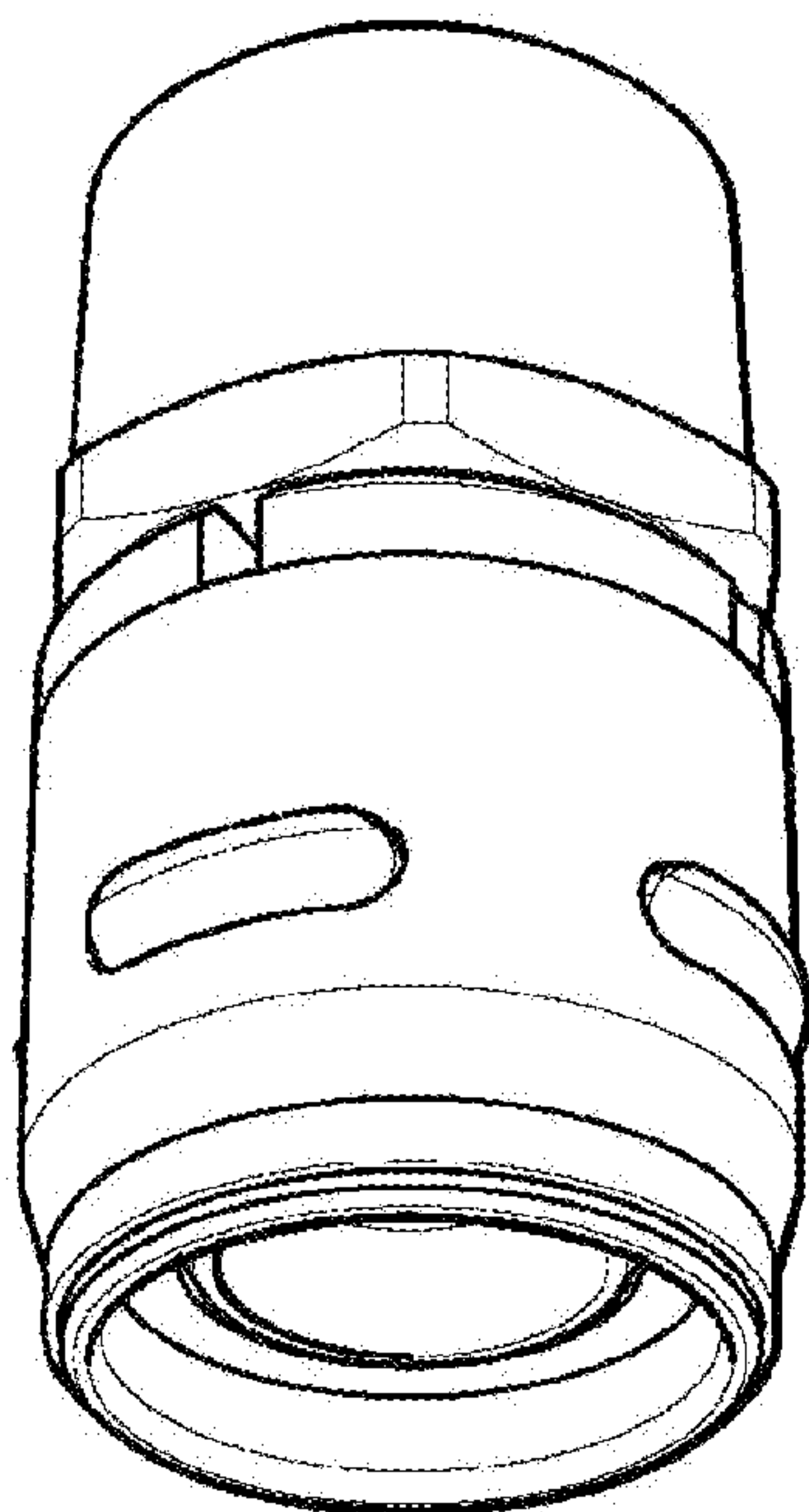


FIG. 2

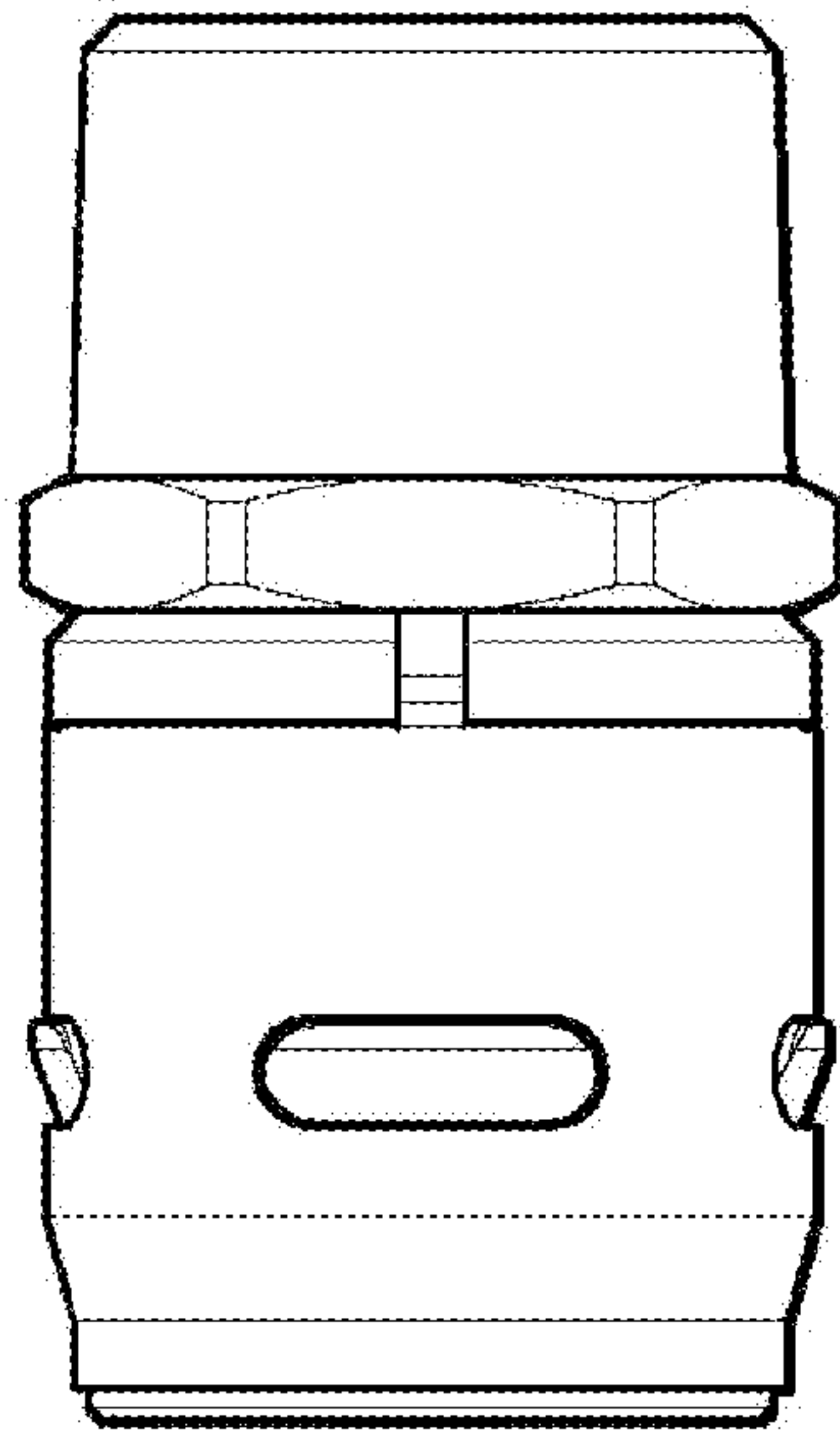


FIG. 3

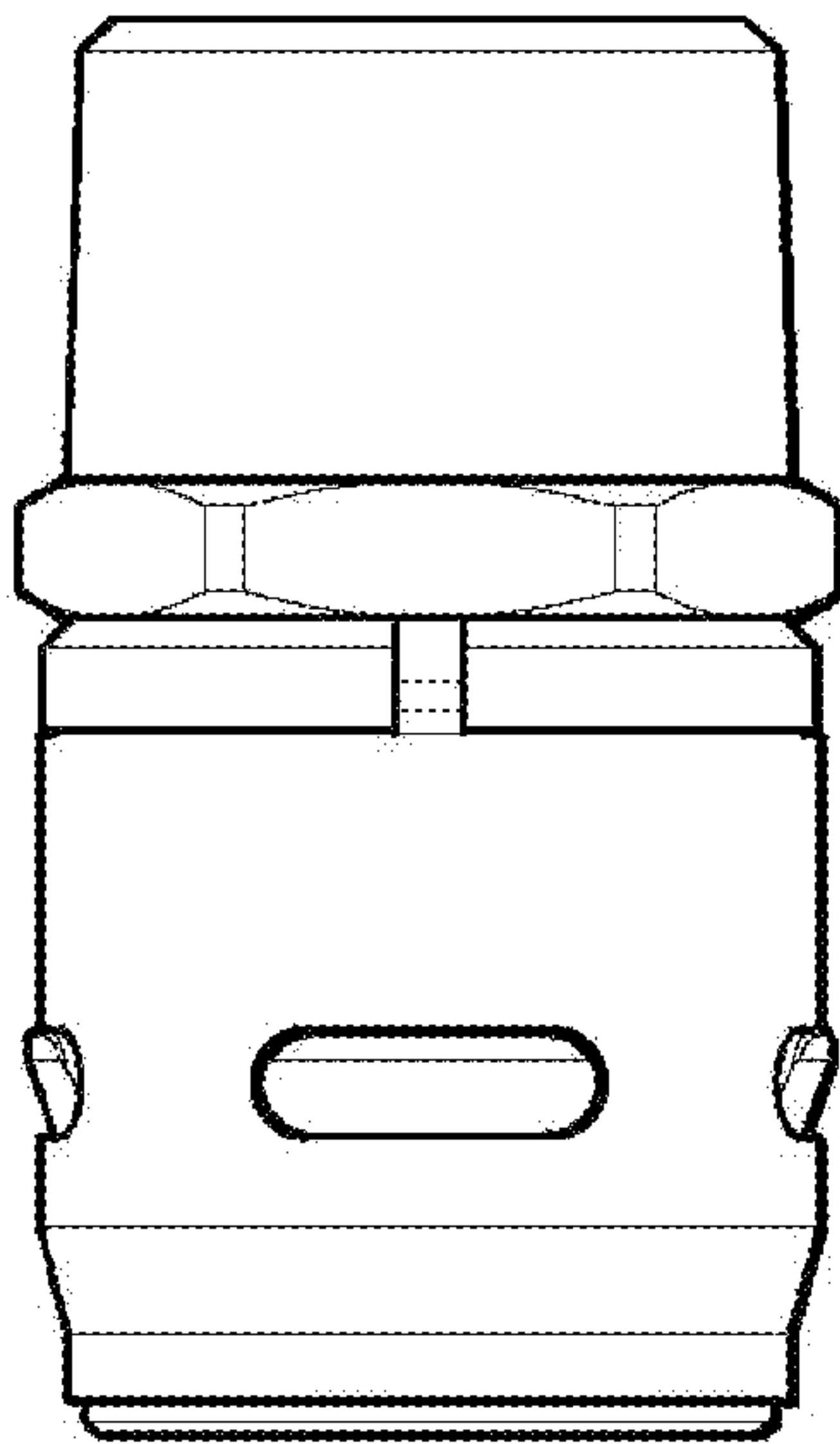


FIG. 4

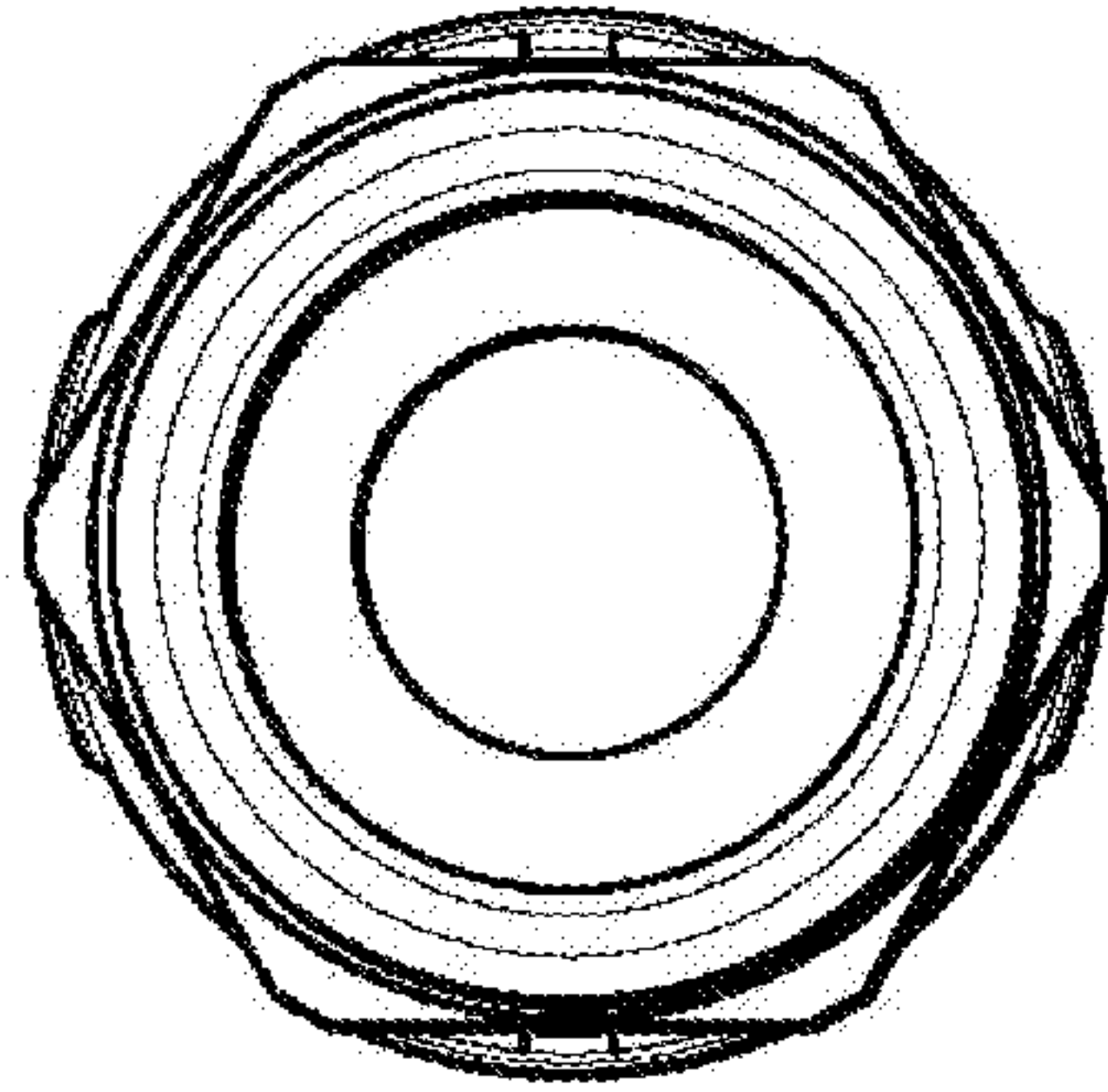


FIG. 5

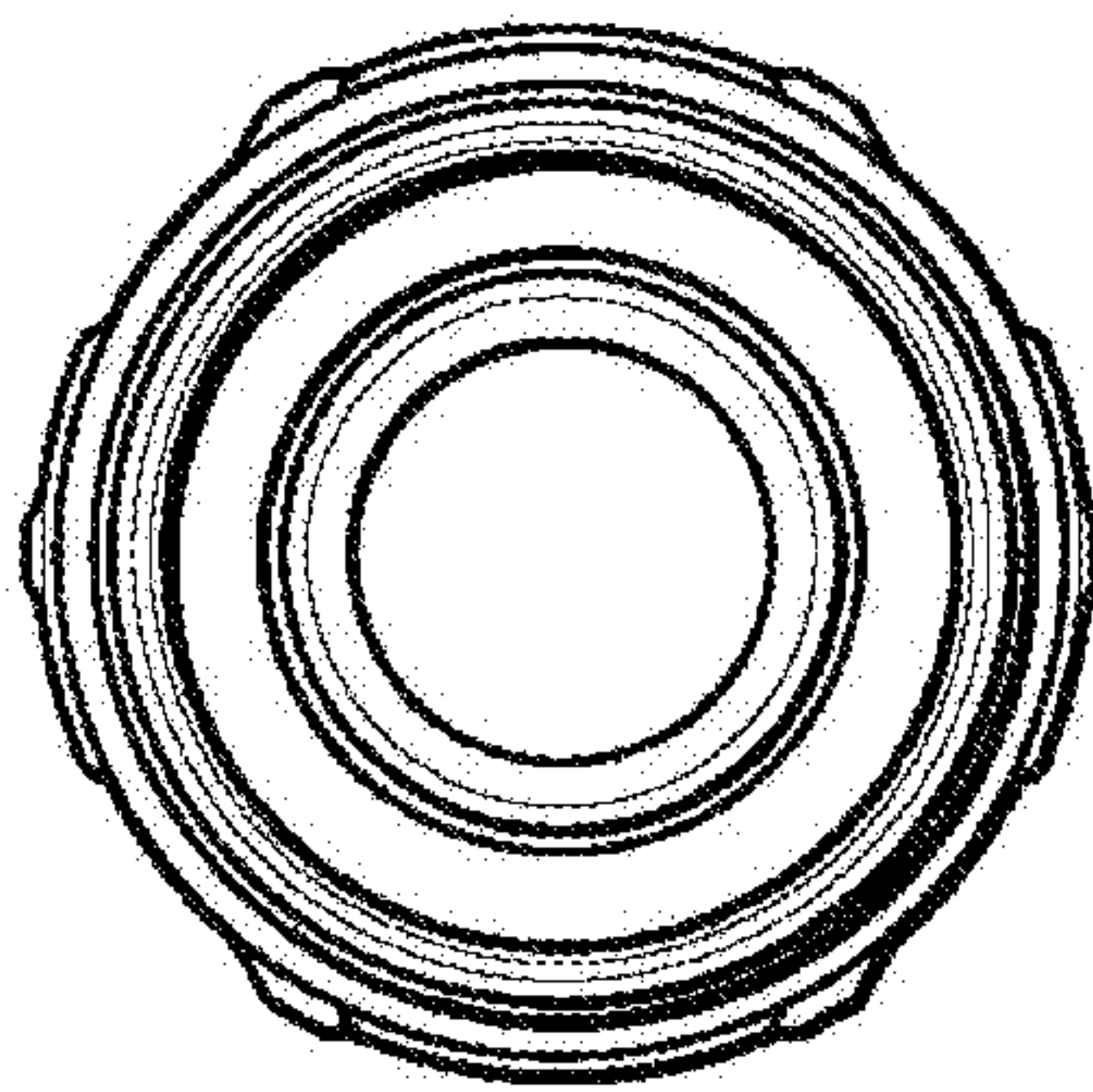


FIG. 6

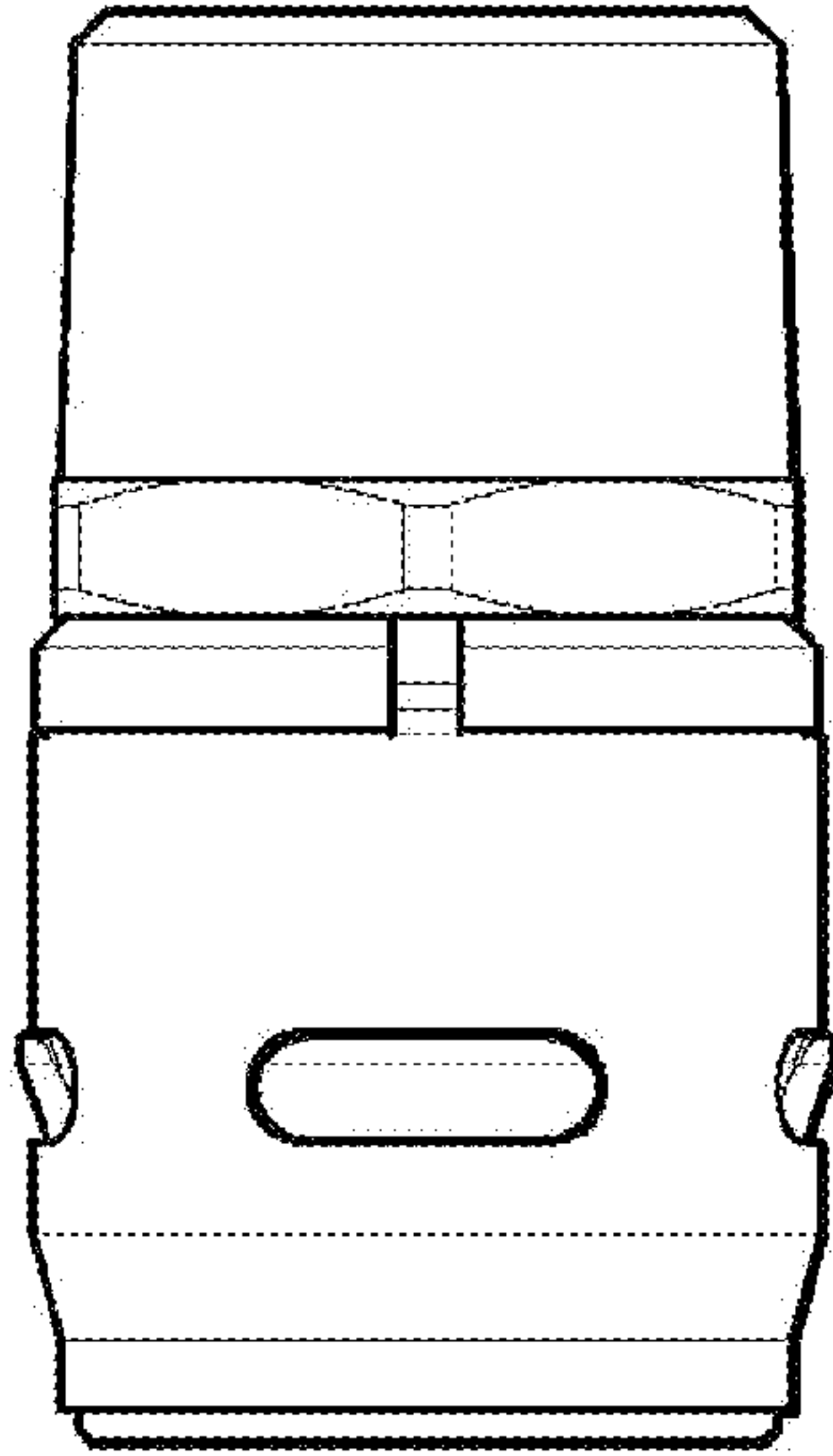


FIG. 7

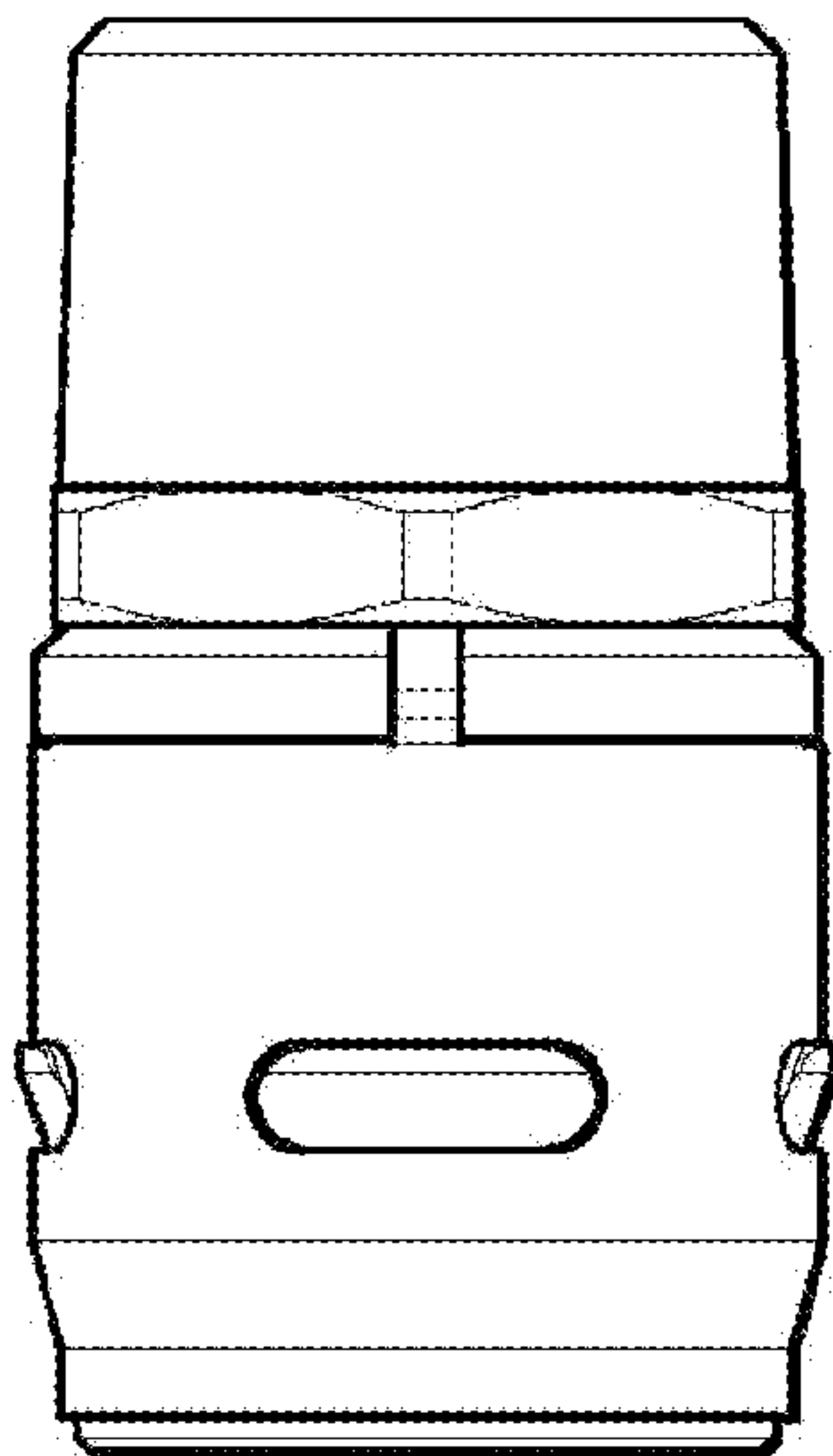


FIG. 8