



US00D746952S

(12) **United States Design Patent**
Gledhill et al.

(10) **Patent No.:** **US D746,952 S**
(45) **Date of Patent:** **** Jan. 5, 2016**

(54) **PIPE CONNECTION FITTING**

(56) **References Cited**

(71) Applicant: **GSA Industries (Aust.) Pty. Ltd.**,
Melbourne (AU)
(72) Inventors: **Jeremy Gledhill**, Dandenong South
(AU); **William Vernon Kluss**, Woombye
(AU)
(73) Assignee: **RELIANCE WORLDWIDE**
CORPORATION (AUST.) PTY. LTD.,
Melbourne (AU)

U.S. PATENT DOCUMENTS

8,327,871 B1 12/2012 Franklin et al.
D676,940 S * 2/2013 Kluss D23/262
D676,941 S 2/2013 Kluss et al.
D676,942 S 2/2013 Kluss et al.
D676,943 S 2/2013 Kluss et al.
D693,429 S 11/2013 Thibodeaux, Jr.
D733,846 S * 7/2015 Guest D23/262

FOREIGN PATENT DOCUMENTS

EP 0897082 A1 2/1999

* cited by examiner

Primary Examiner — Sandra Snapp
(74) *Attorney, Agent, or Firm* — Bush Intellectual Property
Law; Kenneth M. Bush

(**) Term: **14 Years**

(21) Appl. No.: **29/500,100**

(22) Filed: **Aug. 21, 2014**

(30) **Foreign Application Priority Data**

Feb. 28, 2014 (AU) 10925/2014

(51) **LOC (10) Cl.** **23-01**

(52) **U.S. Cl.**
USPC **D23/259**

(58) **Field of Classification Search**
USPC D23/259–263, 266–269, 233; 251/215,
251/216; 285/369, 372, 373, 417, 133.11,
285/133.3, 133.21, 133.4, 133.5, 133.6
CPC F16L 11/00; F16L 37/252; F16L 41/007;
E03C 1/26; E03C 1/262; E03C 1/28; E03F
5/04; A61B 5/00; A61M 25/09016
See application file for complete search history.

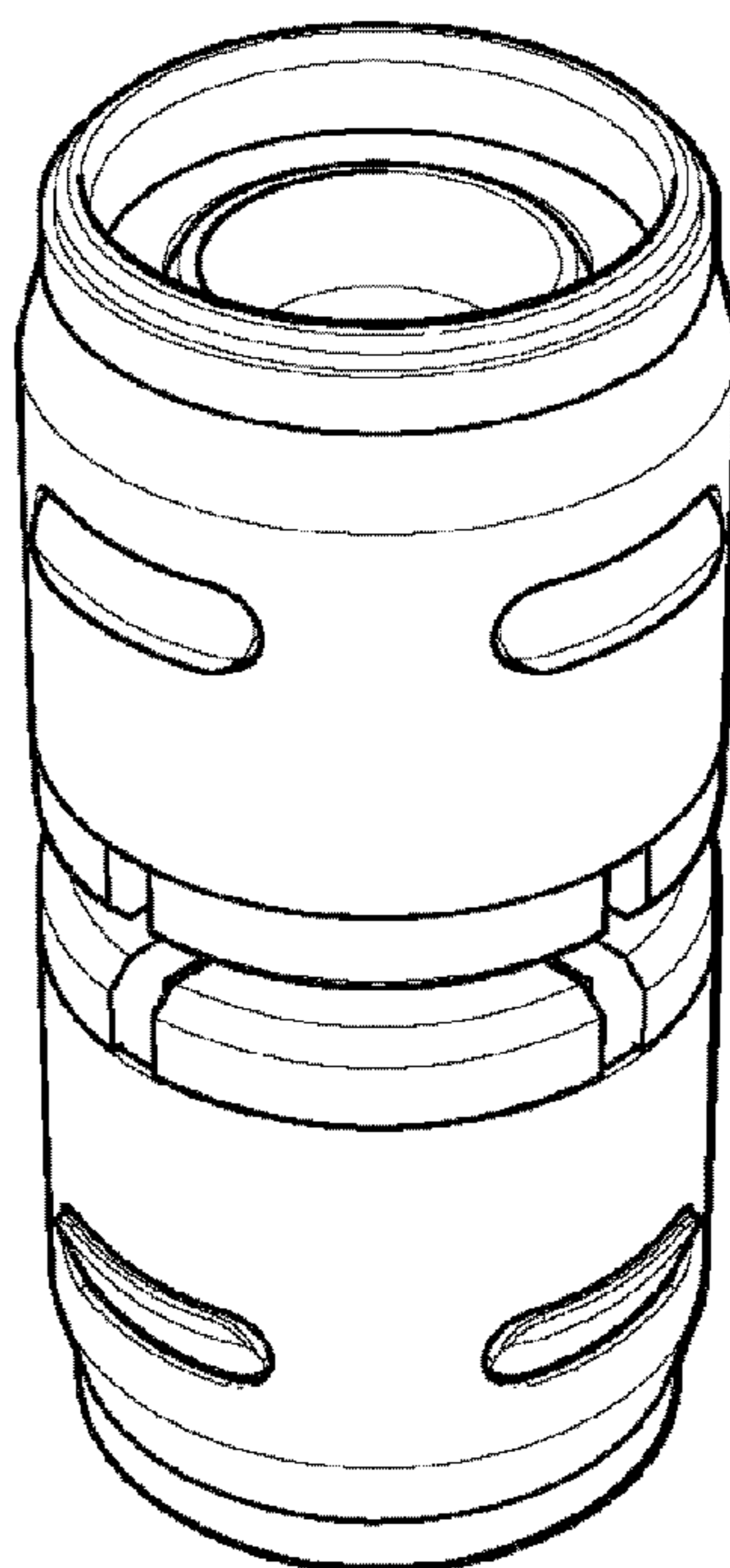
(57) **CLAIM**

The ornamental design for a pipe connection fitting, as shown
and described.

DESCRIPTION

FIG. 1 is a front perspective view from above of an ornamen-
tal design for a pipe connection fitting;
FIG. 2 is a rear perspective view from below thereof;
FIG. 3 is a front view thereof;
FIG. 4 is a rear view thereof;
FIG. 5 is a plan view thereof;
FIG. 6 is an underneath view thereof;
FIG. 7 is a left side view thereof; and,
FIG. 8 is a right side view thereof.

1 Claim, 4 Drawing Sheets



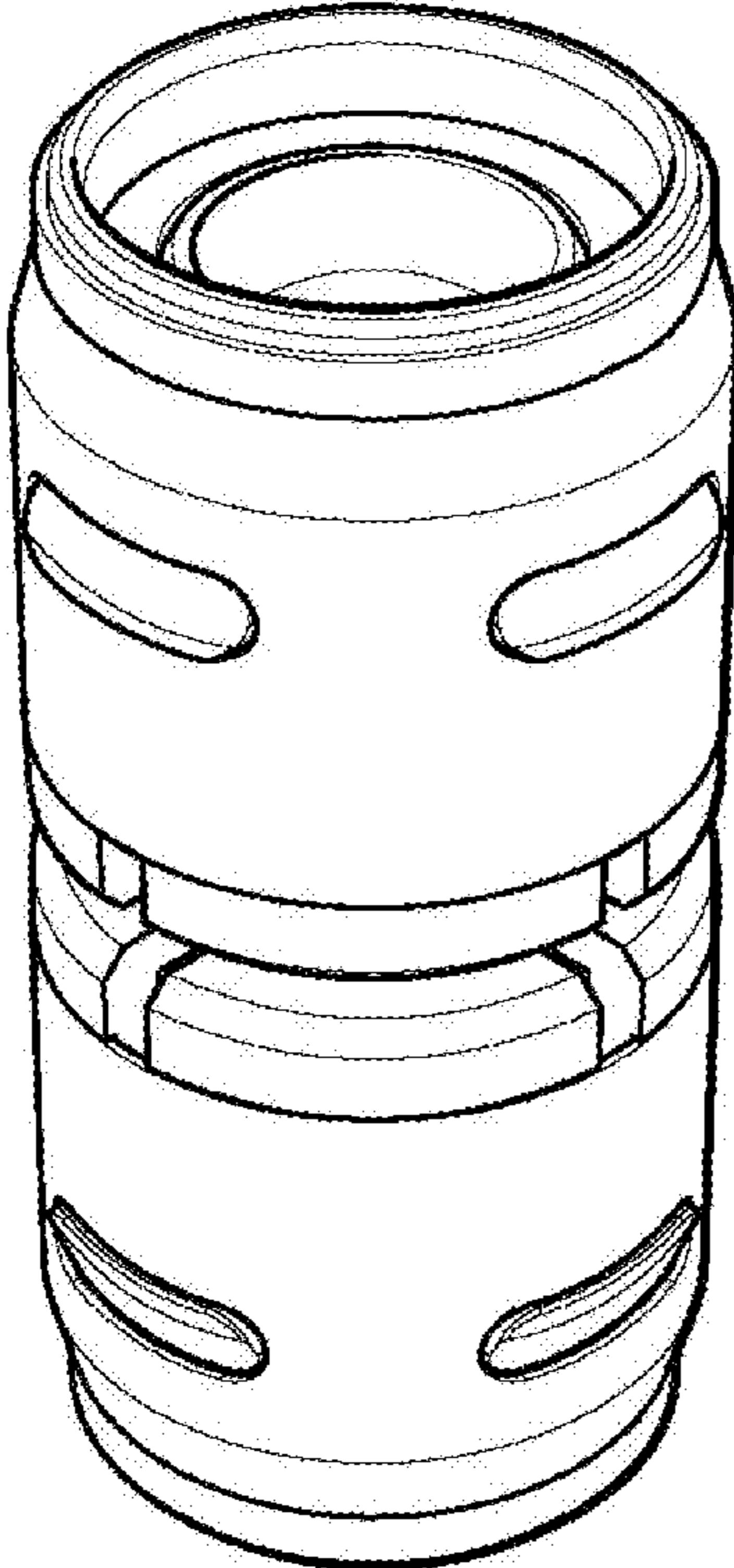


FIG. 1

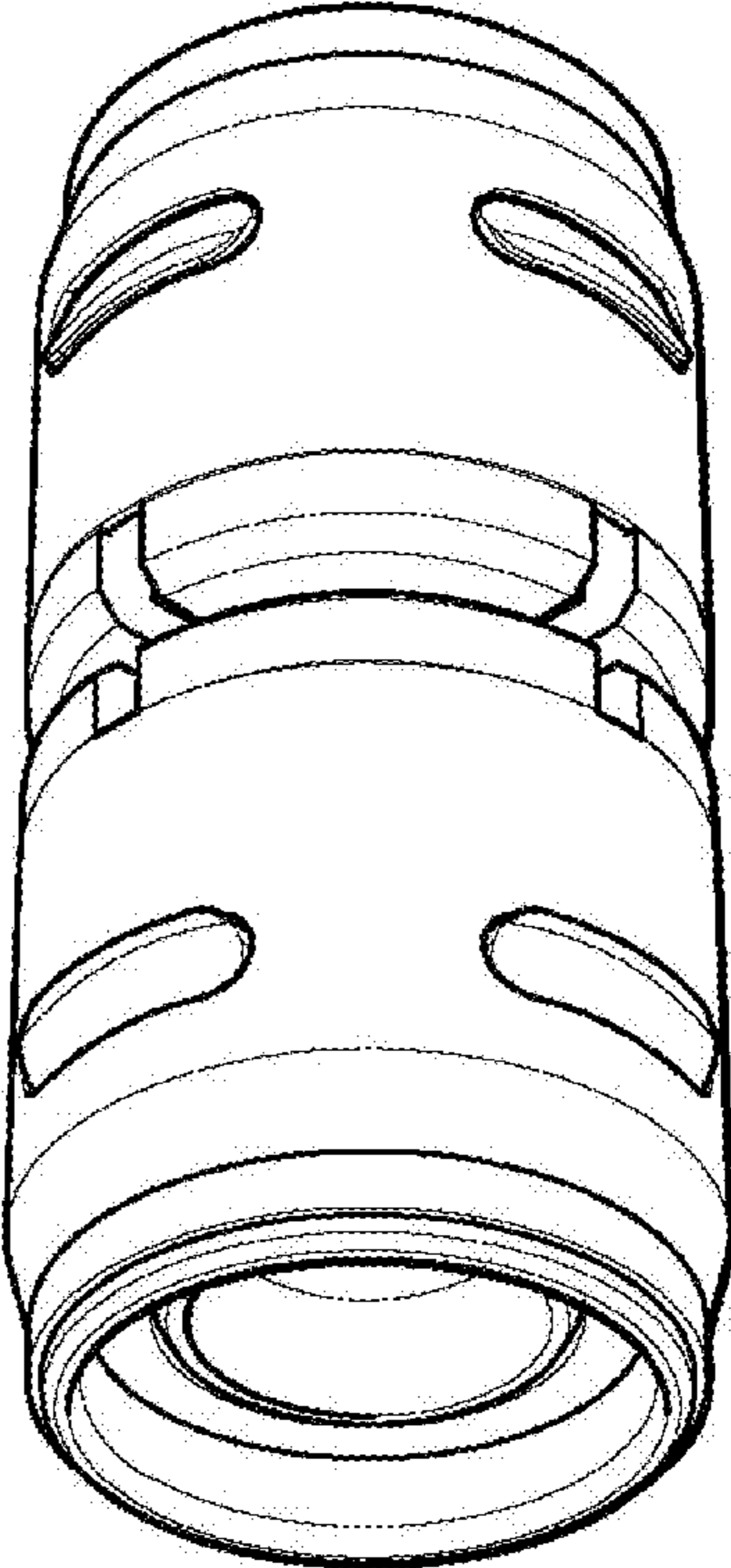


FIG. 2

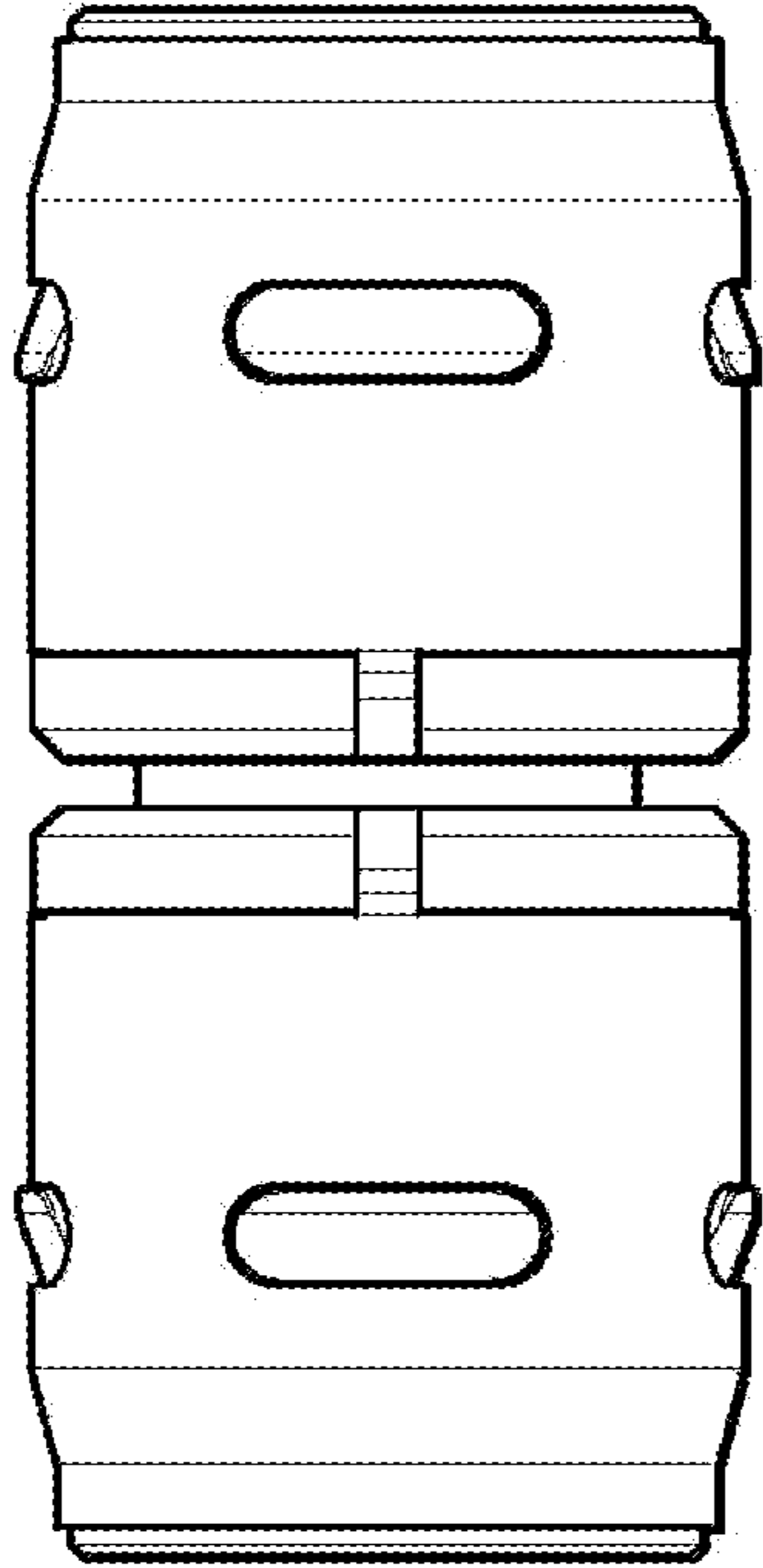


FIG. 3

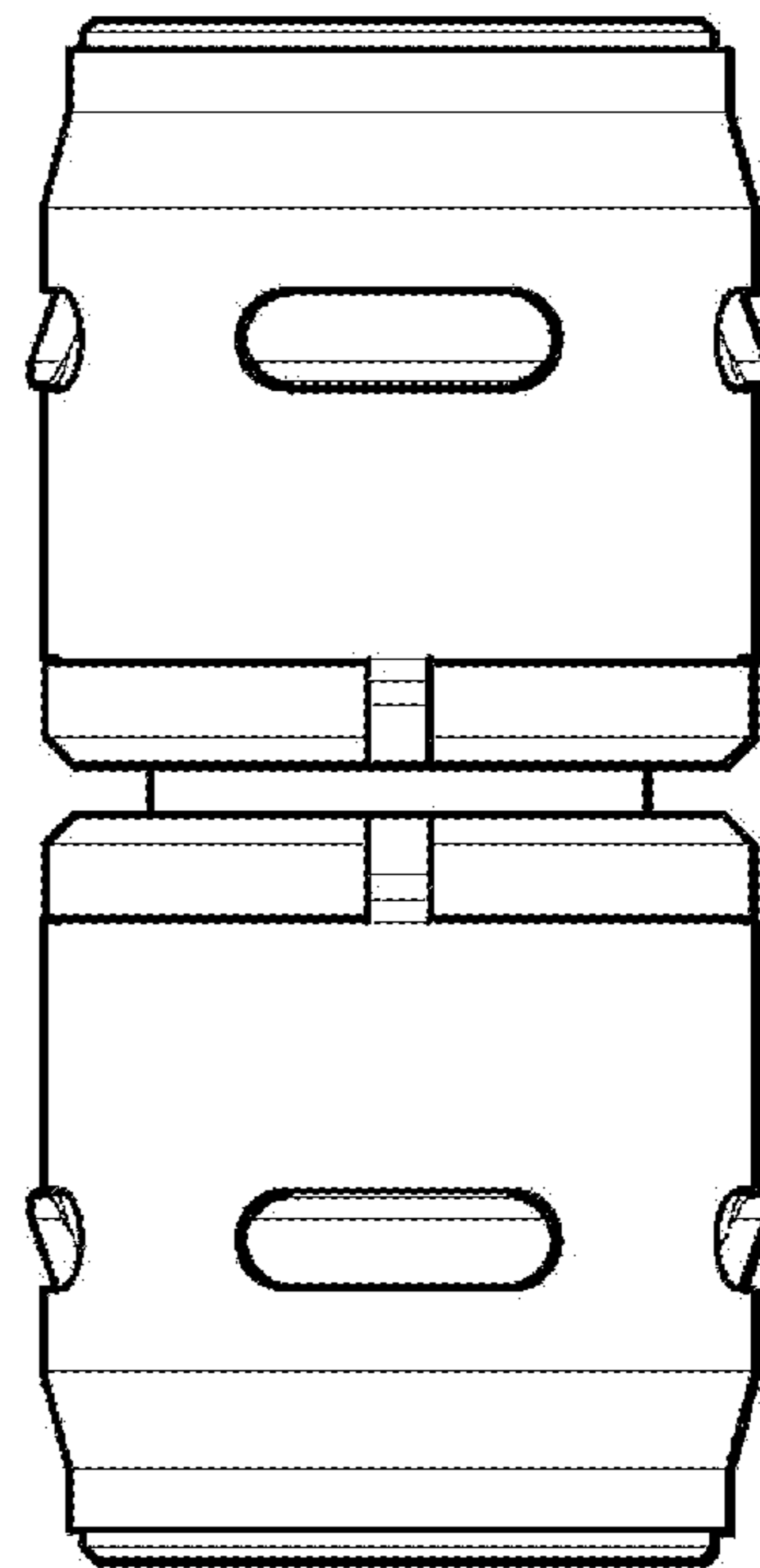


FIG. 4

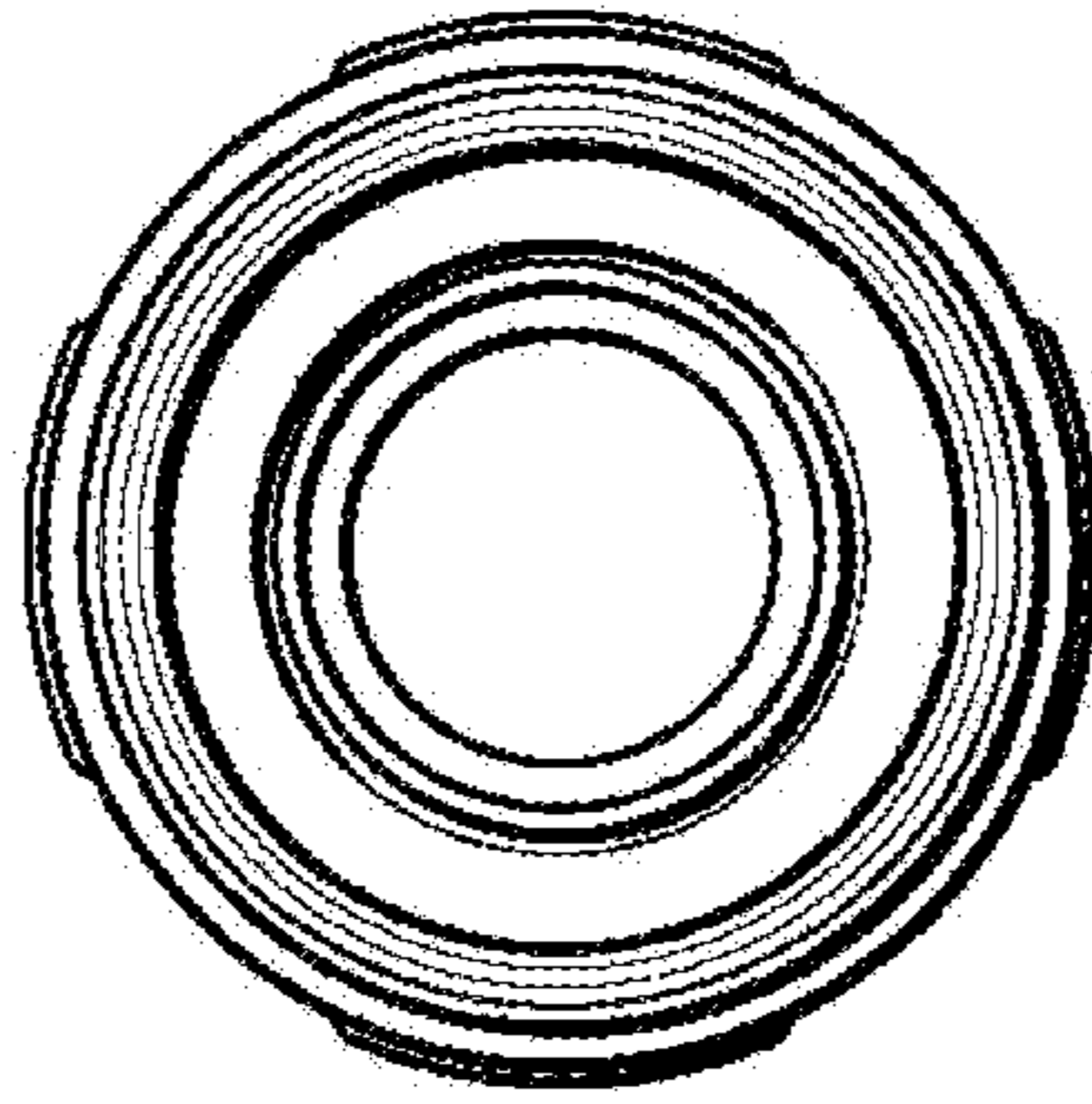


FIG. 5

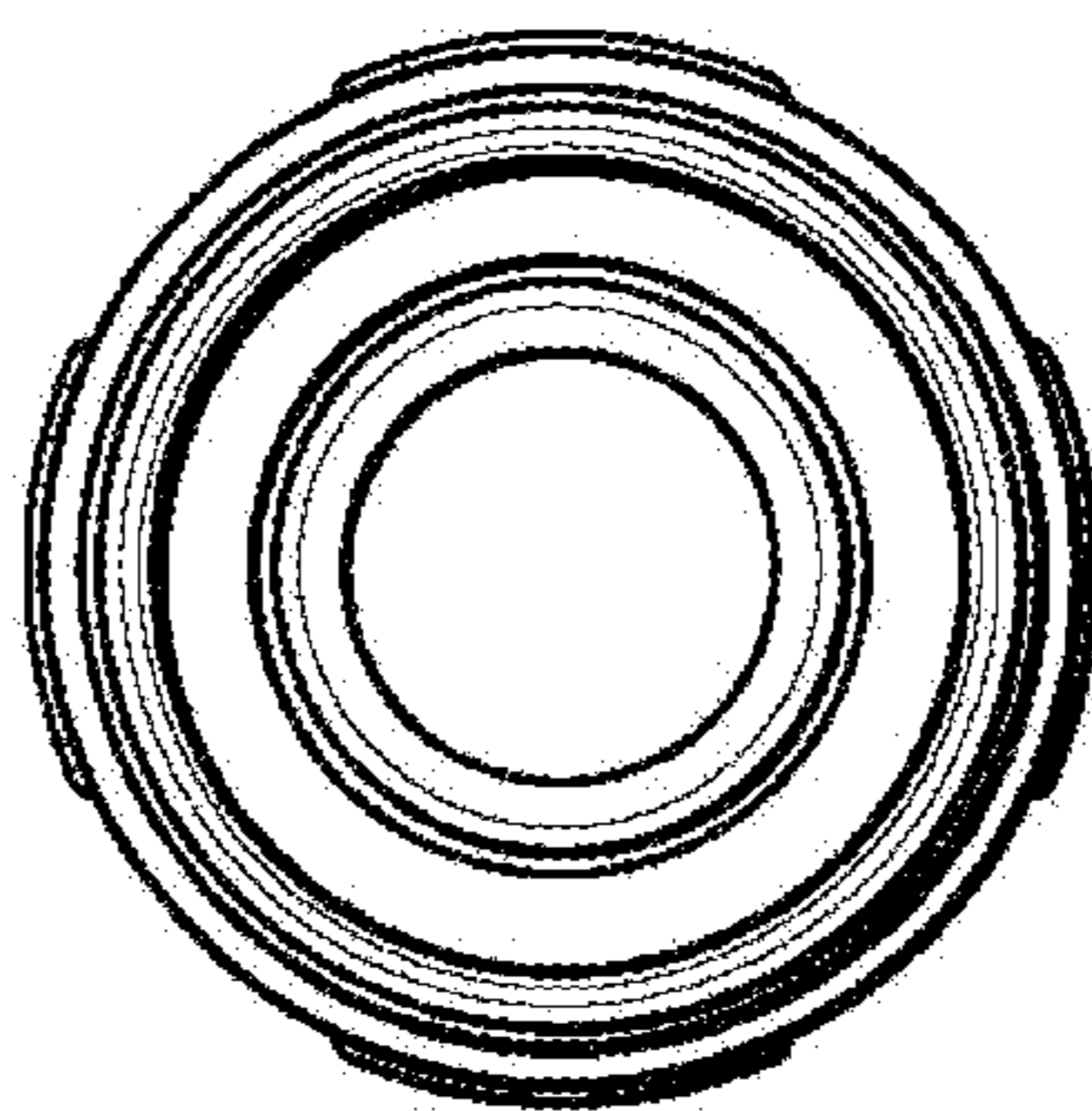


FIG. 6

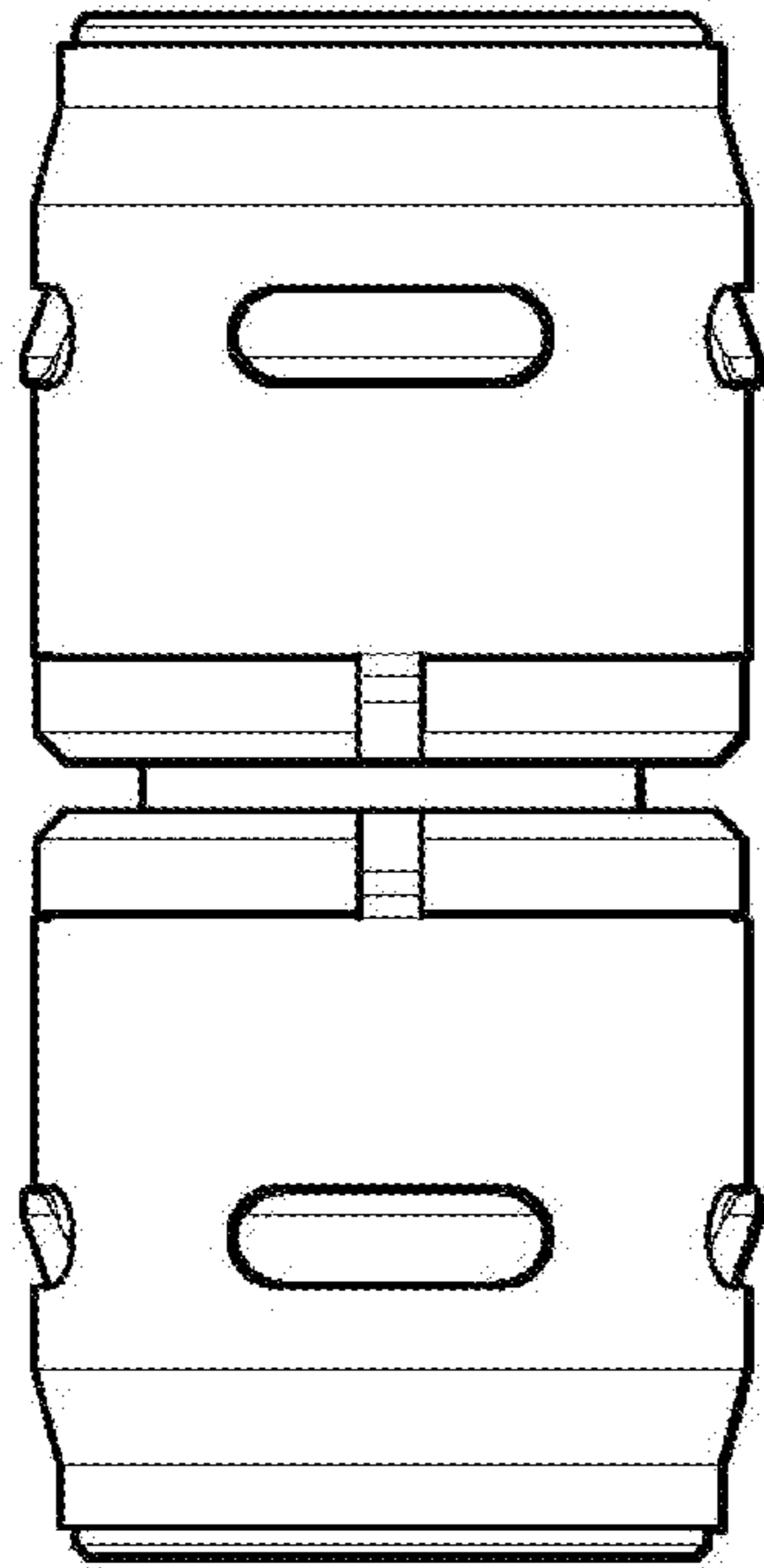


FIG. 7

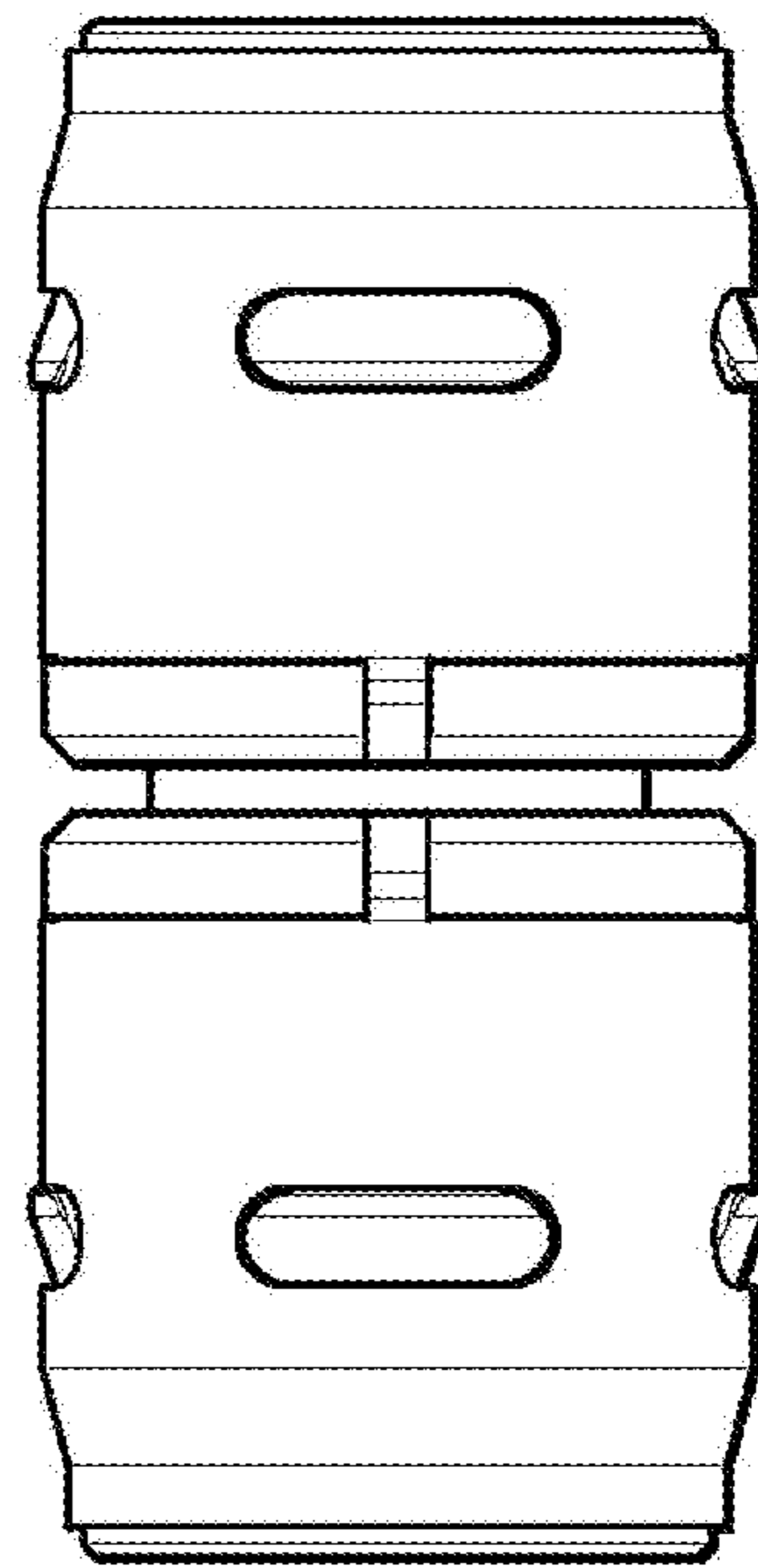


FIG. 8