



US00D746951S

(12) **United States Design Patent**  
**Gledhill et al.**

(10) **Patent No.:** **US D746,951 S**  
(45) **Date of Patent:** **\*\* Jan. 5, 2016**

(54) **PIPE CONNECTION FITTING**  
(71) Applicant: **GSA Industries (Aust.) Pty. Ltd.**,  
Melbourne (AU)  
(72) Inventors: **Jeremy Gledhill**, Dandenong South  
(AU); **William Vernon Kluss**, Woombye  
(AU)  
(73) Assignee: **RELIANCE WORLDWIDE**  
**CORPORATION (AUST.) PTY. LTD.**,  
Melbourne (AU)

5,277,226 A \* 1/1994 Kuhlman ..... E03C 1/023  
137/801  
D354,801 S \* 1/1995 Grant ..... D23/263  
D388,562 S \* 12/1997 Doria ..... D32/17  
D470,577 S \* 2/2003 Knight ..... D23/259  
D550,697 S \* 9/2007 Gusmorino ..... D14/492  
8,327,871 B1 12/2012 Franklin et al.  
D676,940 S 2/2013 Kluss et al.  
D676,941 S 2/2013 Kluss et al.  
D676,942 S 2/2013 Kluss et al.  
D676,943 S 2/2013 Kluss et al.  
D693,429 S 11/2013 Thibodeaux, Jr.  
D722,362 S \* 2/2015 Kluss ..... D23/235  
D731,628 S \* 6/2015 Guest ..... D23/262

(\*\*) Term: **14 Years**

**FOREIGN PATENT DOCUMENTS**

(21) Appl. No.: **29/500,099**

EP 0897082 A1 2/1999

(22) Filed: **Aug. 21, 2014**

\* cited by examiner

(30) **Foreign Application Priority Data**

Feb. 28, 2014 (AU) ..... 10922/2014

(51) **LOC (10) Cl.** ..... **23-01**

(52) **U.S. Cl.**  
USPC ..... **D23/259**

(58) **Field of Classification Search**  
USPC ..... D23/259-263, 266-269, 233; 251/215,  
251/216; 285/369, 372, 373, 417, 133.11,  
285/133.3, 133.21, 133.4, 133.5, 133.6  
CPC ..... F16L 11/00; F16L 37/252; F16L 41/007;  
E03C 1/26; E03C 1/262; E03C 1/28; E03F  
5/04; A61B 5/00; A61M 25/09016  
See application file for complete search history.

*Primary Examiner* — Sandra Snapp  
(74) *Attorney, Agent, or Firm* — Bush Intellectual Property  
Law; Kenneth M. Bush

(57) **CLAIM**  
The ornamental design for a pipe connection fitting, as shown  
and described.

**DESCRIPTION**

FIG. 1 is a front perspective view from above of an ornamental design for a pipe connection fitting;  
FIG. 2 is a rear perspective view from below thereof;  
FIG. 3 is a front view thereof;  
FIG. 4 is a rear view thereof;  
FIG. 5 is a plan view thereof;  
FIG. 6 is an underneath view thereof;  
FIG. 7 is a left side view thereof; and,  
FIG. 8 is a right side view thereof.

(56) **References Cited**

**U.S. PATENT DOCUMENTS**

3,831,983 A \* 8/1974 Stickler ..... F16L 41/021  
285/12  
5,104,150 A \* 4/1992 Bard ..... F16L 19/062  
138/89

**1 Claim, 4 Drawing Sheets**

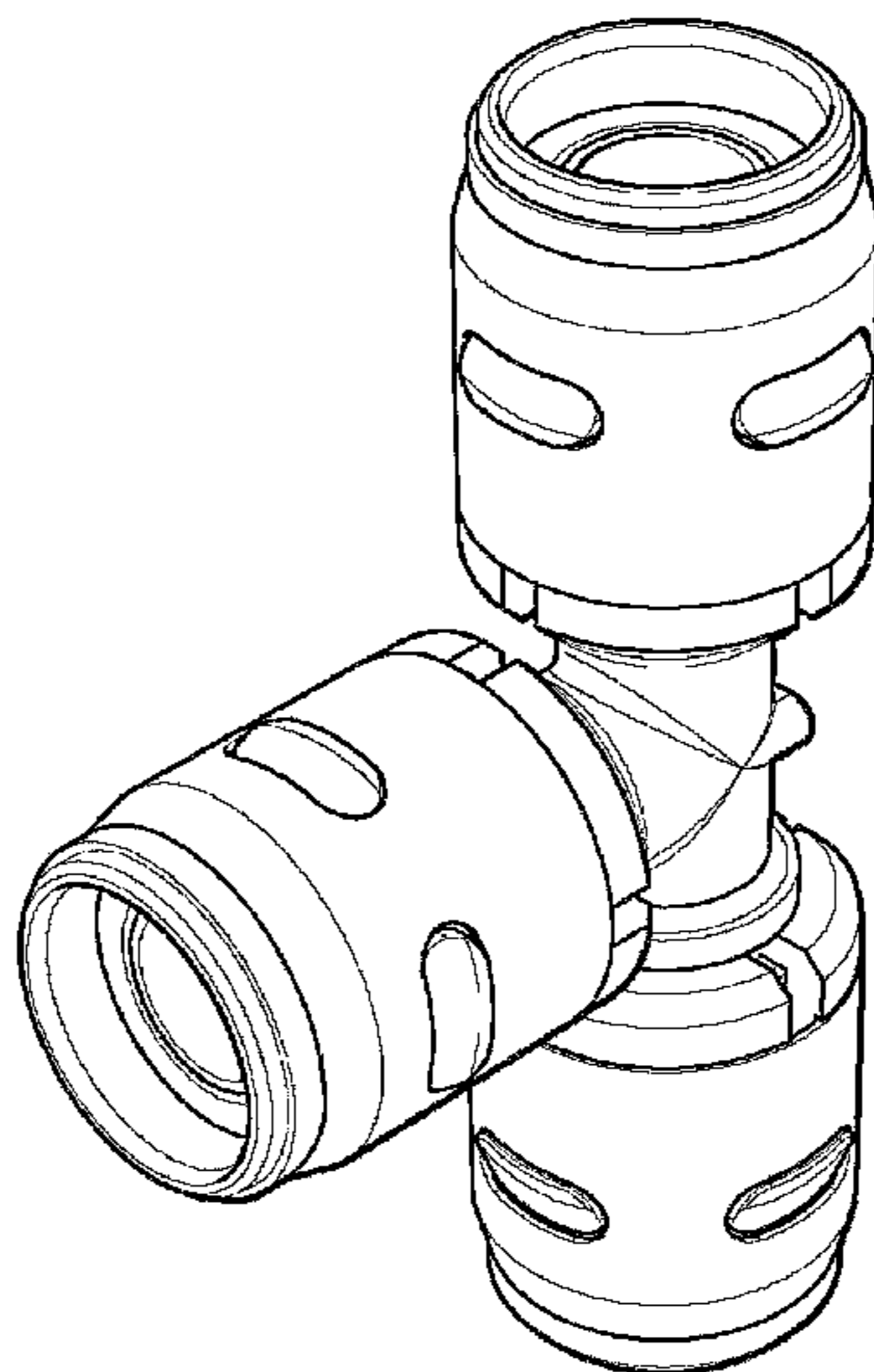


FIG. 1

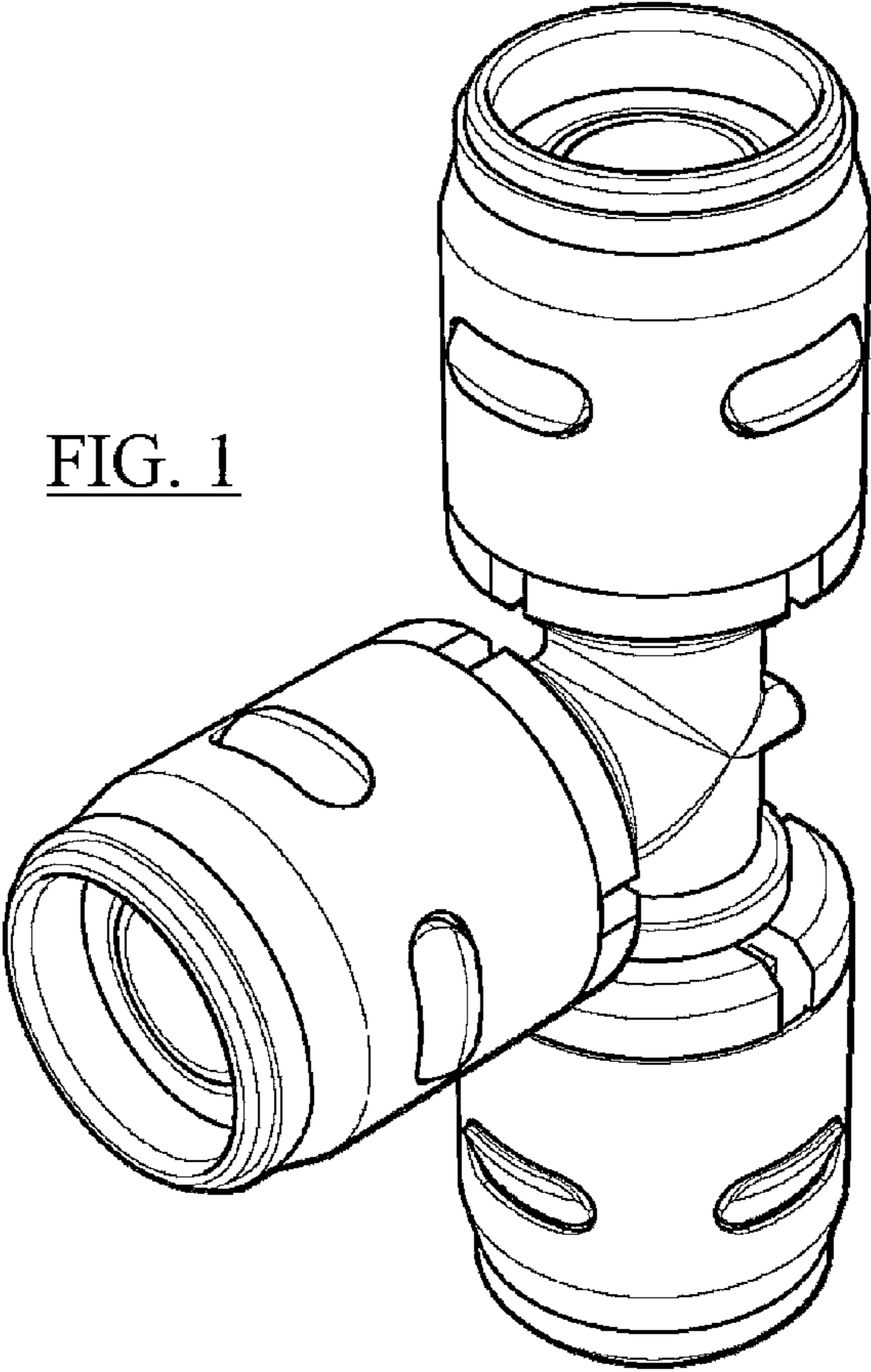
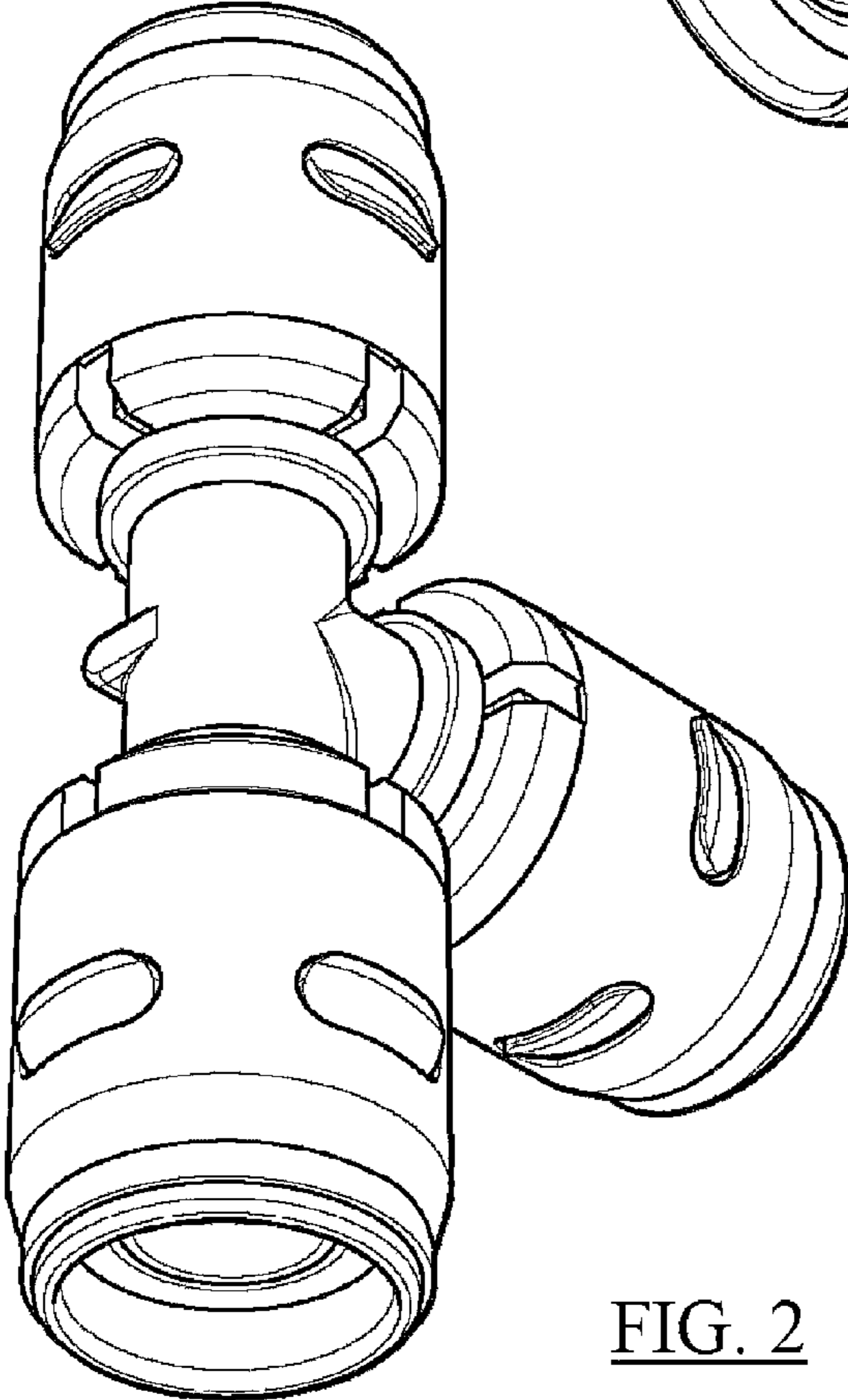


FIG. 2



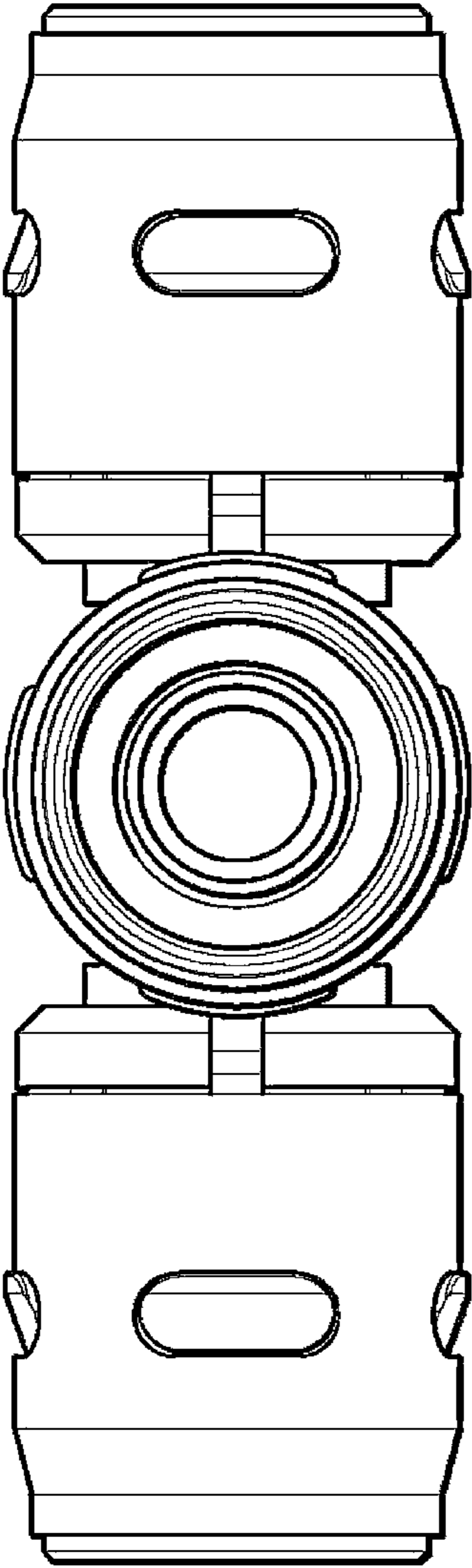


FIG. 3

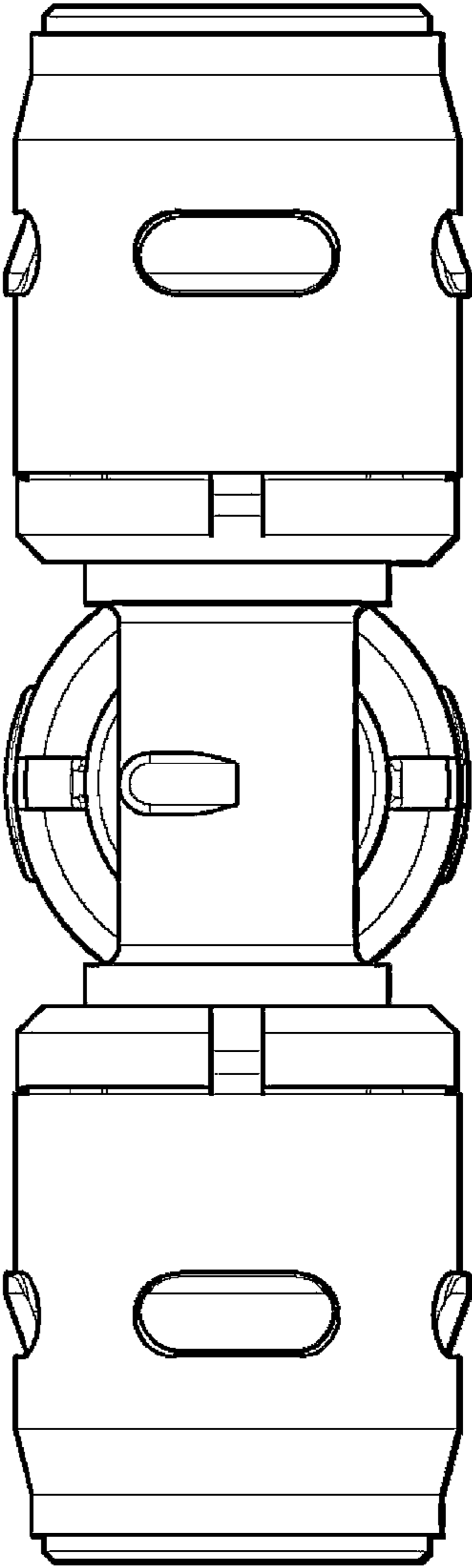


FIG. 4

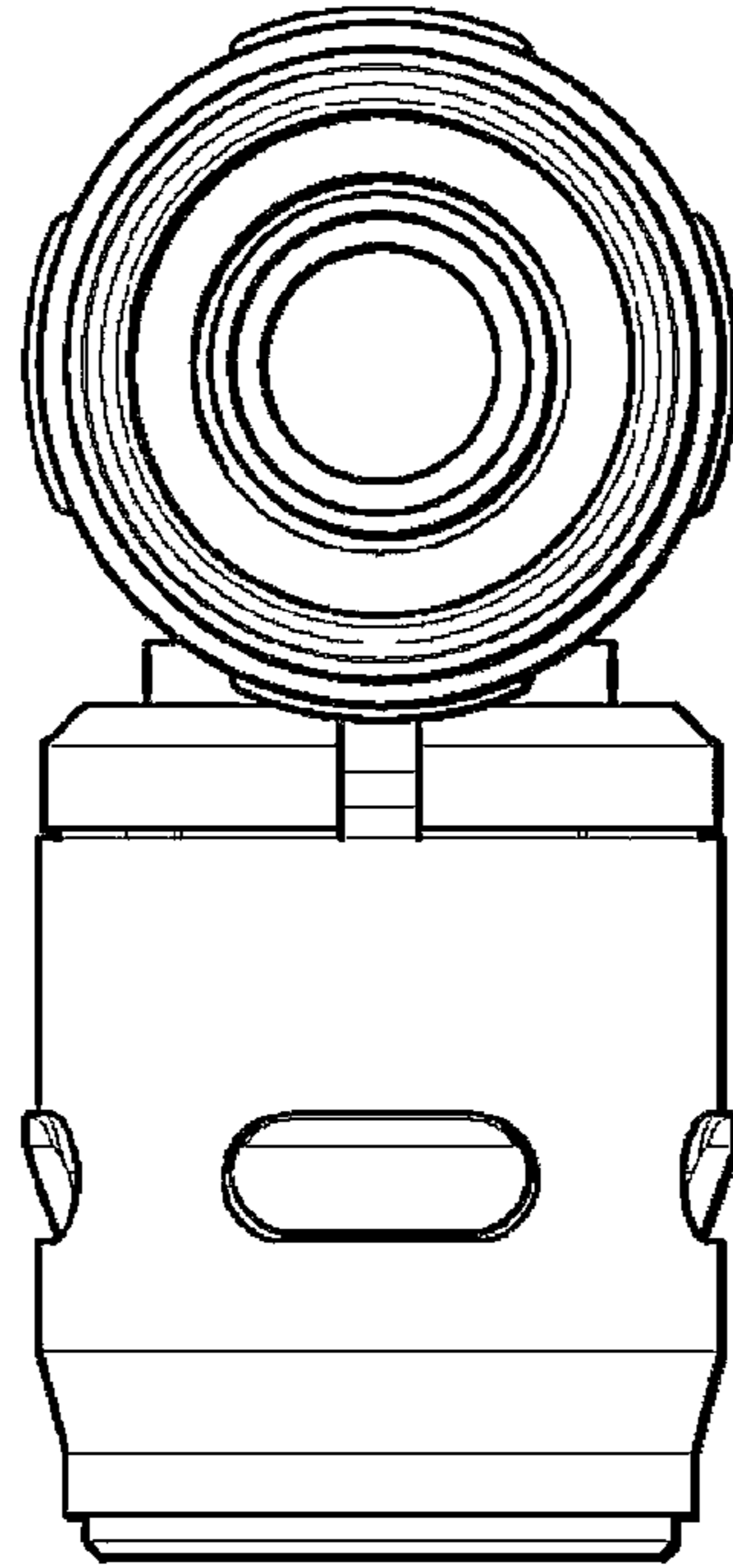


FIG. 5

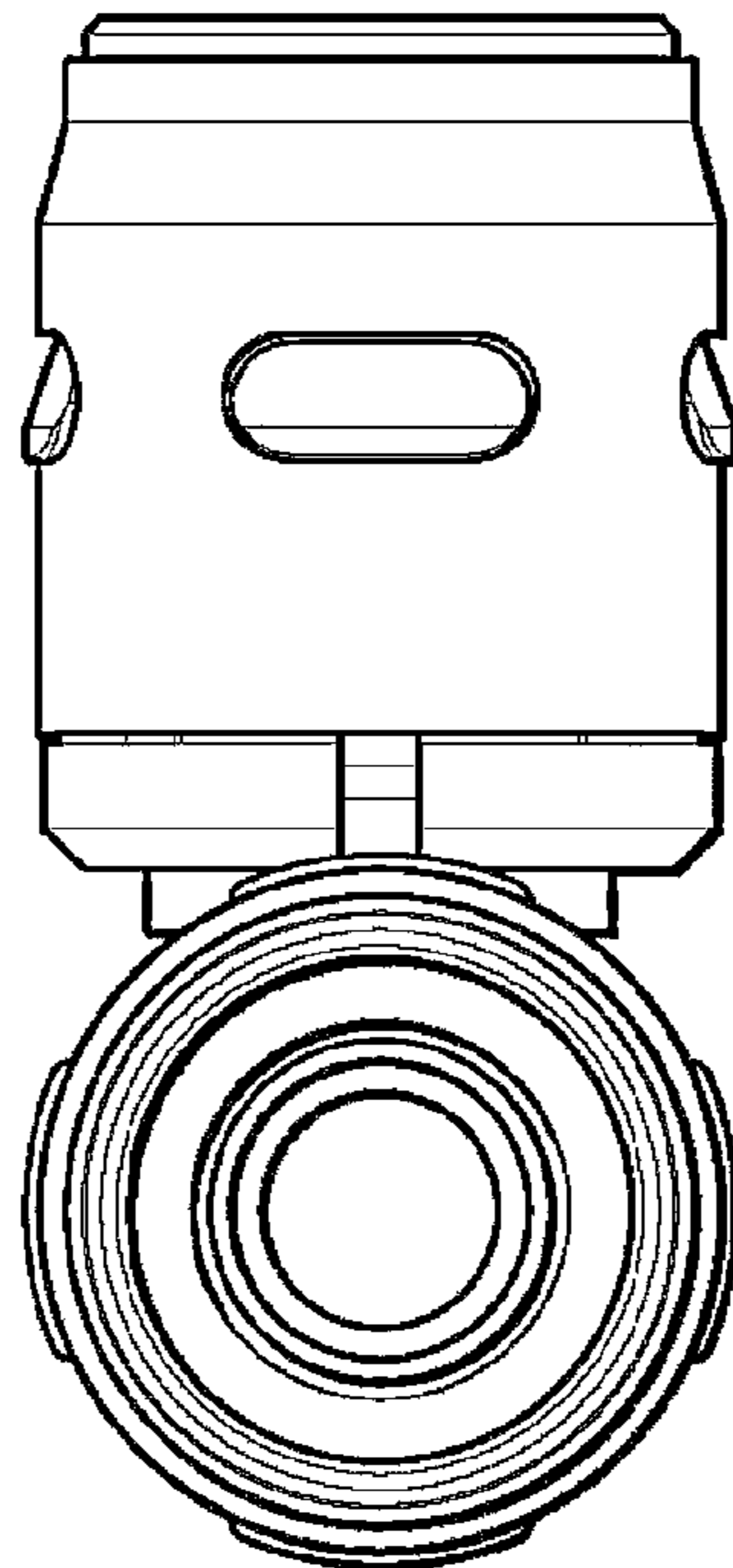


FIG. 6

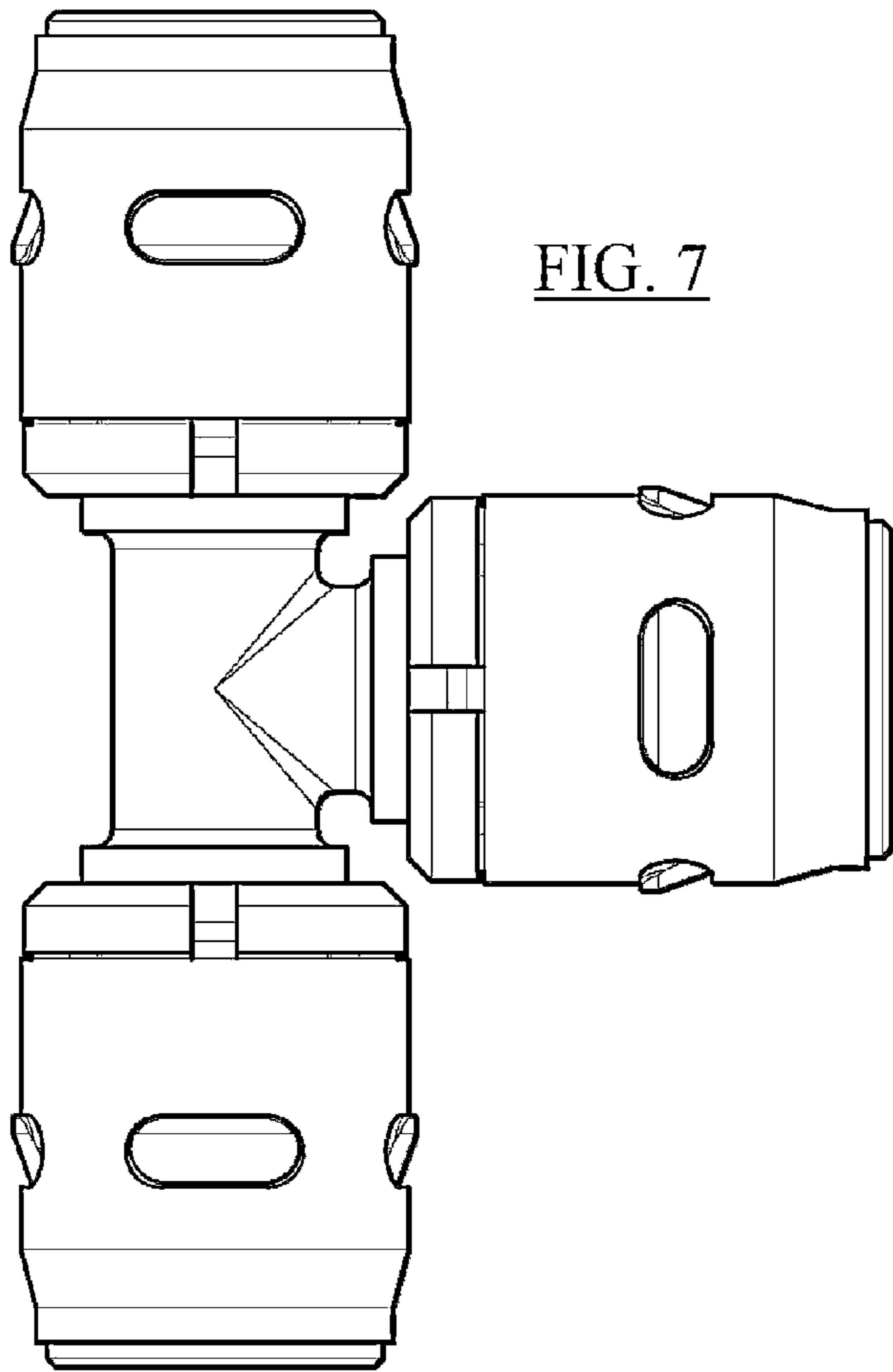


FIG. 7

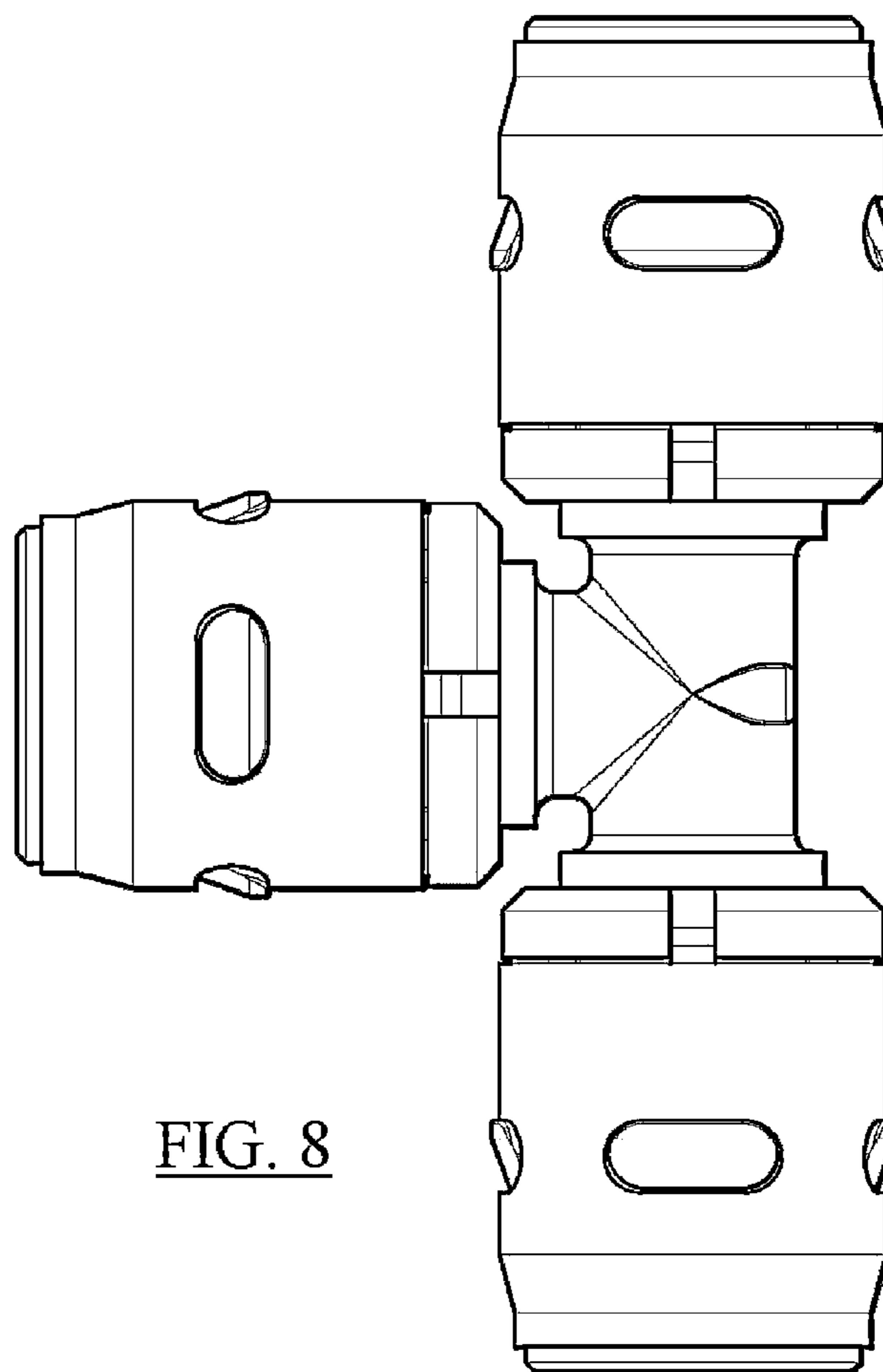


FIG. 8