

US00D746950S

(12) **United States Design Patent**
Castrigno et al.

(10) **Patent No.:** **US D746,950 S**
(45) **Date of Patent:** **** Jan. 5, 2016**

(54) **PIPE FITTING**

FOREIGN PATENT DOCUMENTS

(71) Applicant: **Watts Water Technologies, Inc.**, North Andover, MA (US)

CA 1260663 A1 9/1989

(72) Inventors: **Steven Castrigno**, Manchester, NH (US); **Jeffrey A. Scilingo**, Londonderry, NH (US)

D.R LaMarca et al., "Advancements in Plastic Pipe System Technology", 2010 IAPMO / WPC Emerging Technology Symposium—May 11-12, 2010.

(73) Assignee: **Watts Water Technologies, Inc.**, North Andover, MA (US)

* cited by examiner

(**) Term: **14 Years**

Primary Examiner — Kevin Rudzinski

Assistant Examiner — John Reickel

(21) Appl. No.: **29/453,626**

(74) *Attorney, Agent, or Firm* — Adler Pollock & Sheehan P.C.; George N. Chaclas, Esq.; Daniel J. Holmander, Esq.

(22) Filed: **May 1, 2013**

(51) **LOC (10) Cl.** **23-01**

(52) **U.S. Cl.**
USPC **D23/259**

(58) **Field of Classification Search**
USPC D23/223, 226, 233, 259–269;
285/86–93, 179–182
CPC F16L 2201/20; F16L 2201/60; F16L 2201/10; F16L 37/133; F16L 37/0985; F16L 27/0845; F16L 43/008; B29C 66/5229
See application file for complete search history.

(57) **CLAIM**

The ornamental design for a pipe fitting, as shown and described.

DESCRIPTION

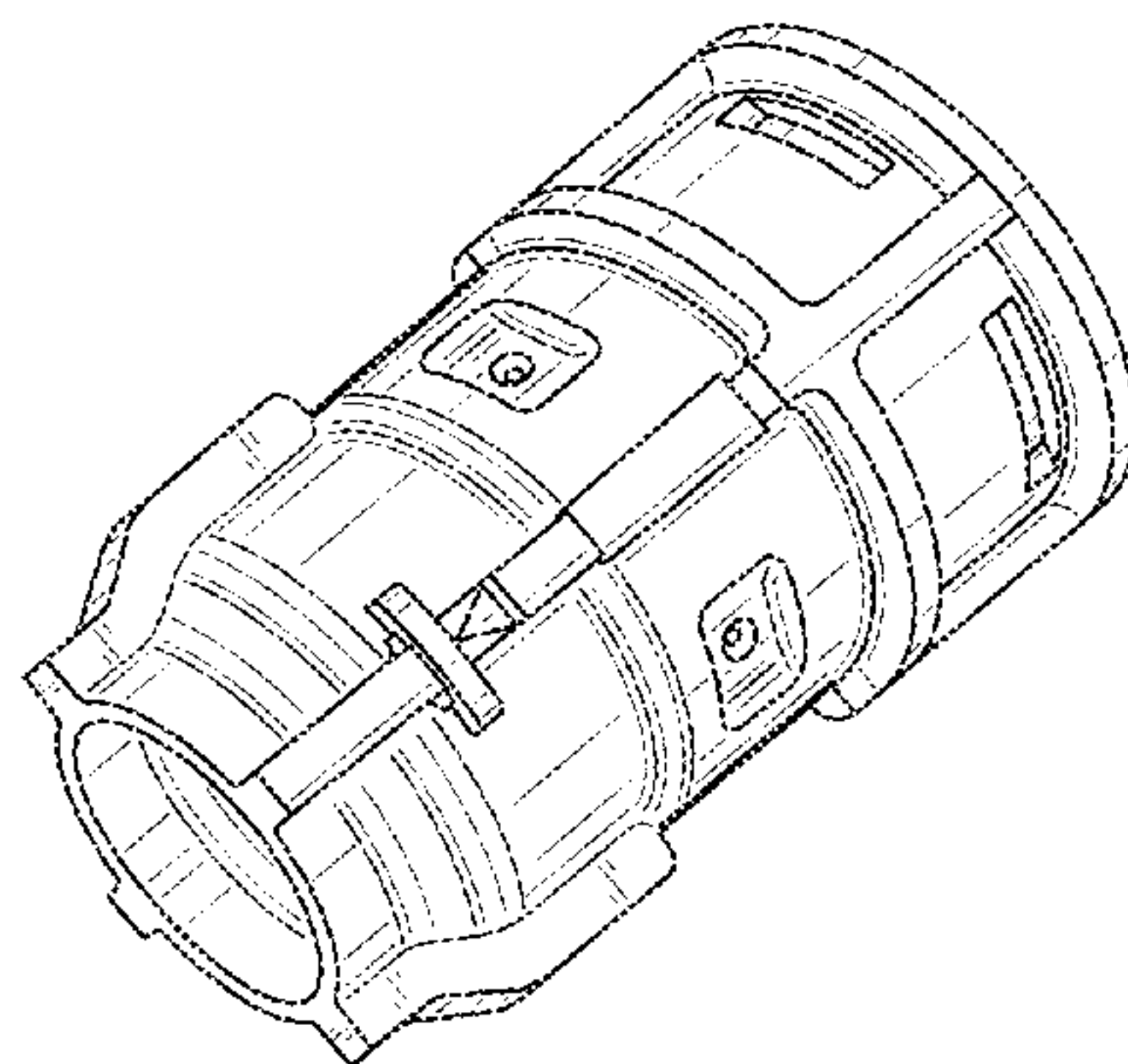
FIG. 1 is a perspective view of the pipe fitting according to the present disclosure.
FIG. 2 is a front view of the pipe fitting according to the present disclosure.
FIG. 3 is a back view of the pipe fitting according to the present disclosure.
FIG. 4 is a left side view of the pipe fitting according to the present disclosure.
FIG. 5 is a right side view of the pipe fitting according to the present disclosure.
FIG. 6 is a top plan view of the pipe fitting according to the present disclosure; and,
FIG. 7 is a bottom plan view of the pipe fitting according to the present disclosure.
The broken lines showing interior details in FIG. 7 are included for the purpose of illustrating portions of the pipe fitting and form no part of the claimed design.

(56) **References Cited**

U.S. PATENT DOCUMENTS

| | | | | | | |
|--------------|----|---|---------|-----------------|-------|---------|
| D473,633 | S | * | 4/2003 | Chun-Lee | | D23/262 |
| D482,761 | S | * | 11/2003 | Gotoh et al. | | D23/262 |
| D568,969 | S | * | 5/2008 | Bucchi | | D23/262 |
| D575,377 | S | * | 8/2008 | Roman | | D23/259 |
| D601,671 | S | * | 10/2009 | Johnson | | D23/262 |
| D632,165 | S | * | 2/2011 | Daniel et al. | | D8/382 |
| D639,915 | S | * | 6/2011 | Barton | | D23/262 |
| 7,984,738 | B2 | | 7/2011 | LaMarca et al. | | |
| D673,244 | S | * | 12/2012 | Magargal et al. | | D23/260 |
| D687,528 | S | * | 8/2013 | Meyer | | D23/262 |
| D702,543 | S | * | 4/2014 | Bell | | D8/397 |
| D709,994 | S | * | 7/2014 | King et al. | | D23/259 |
| 2006/0197338 | A1 | | 9/2006 | Ziu et al. | | |
| 2009/0314770 | A1 | | 12/2009 | LaMarca et al. | | |
| 2010/0072742 | A1 | | 3/2010 | LaMarca et al. | | |

1 Claim, 4 Drawing Sheets



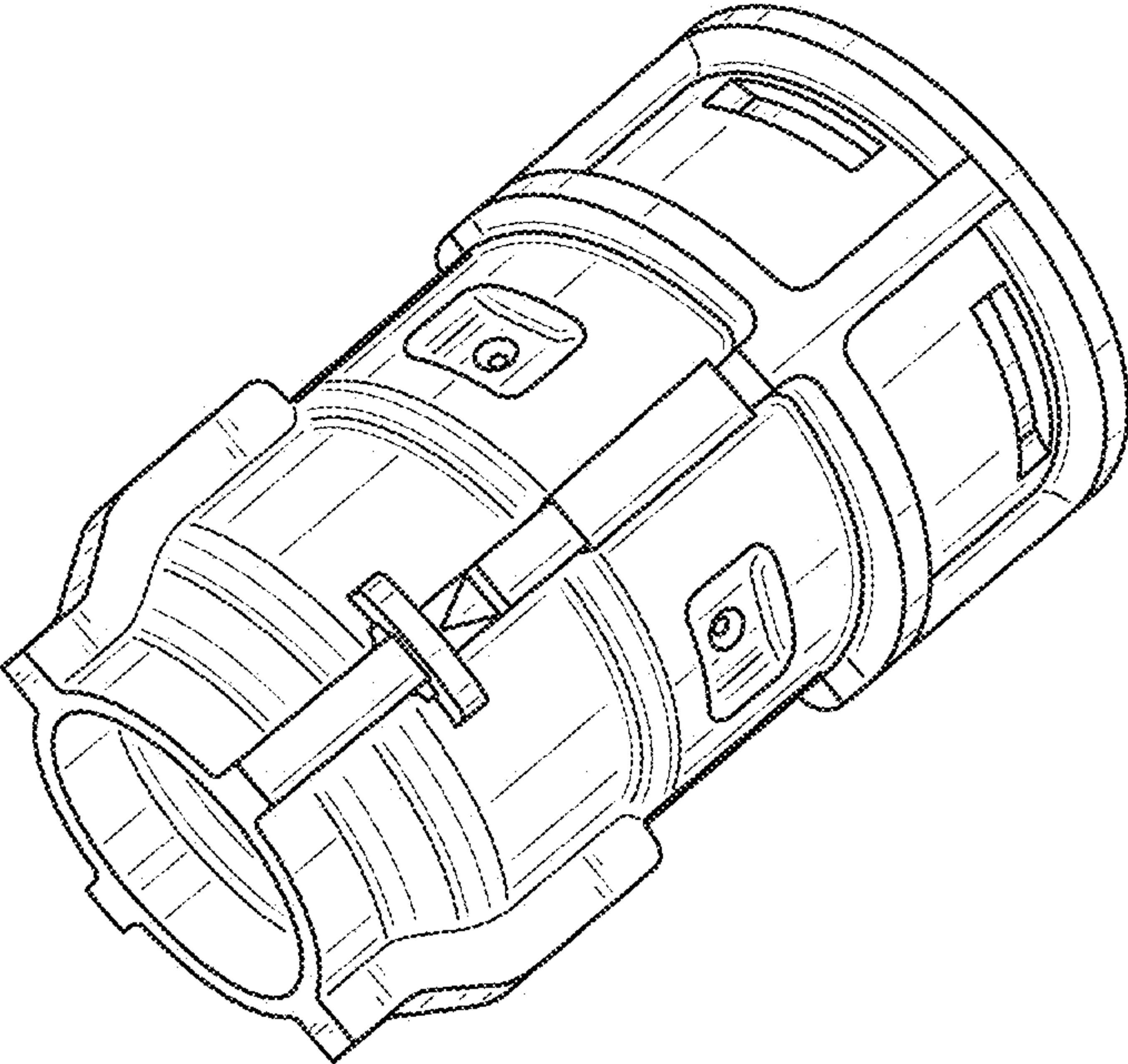


FIG. 1

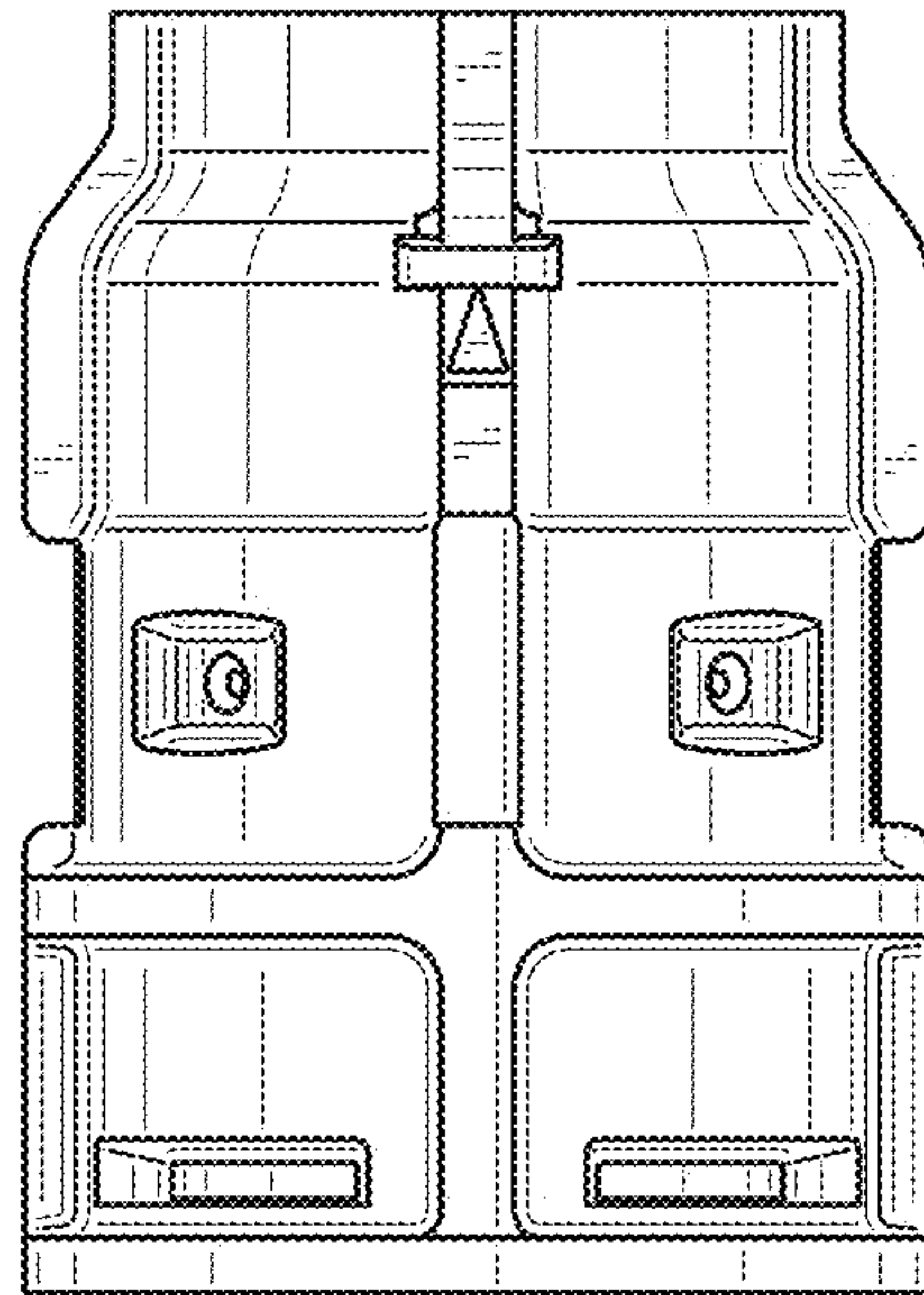


FIG. 2

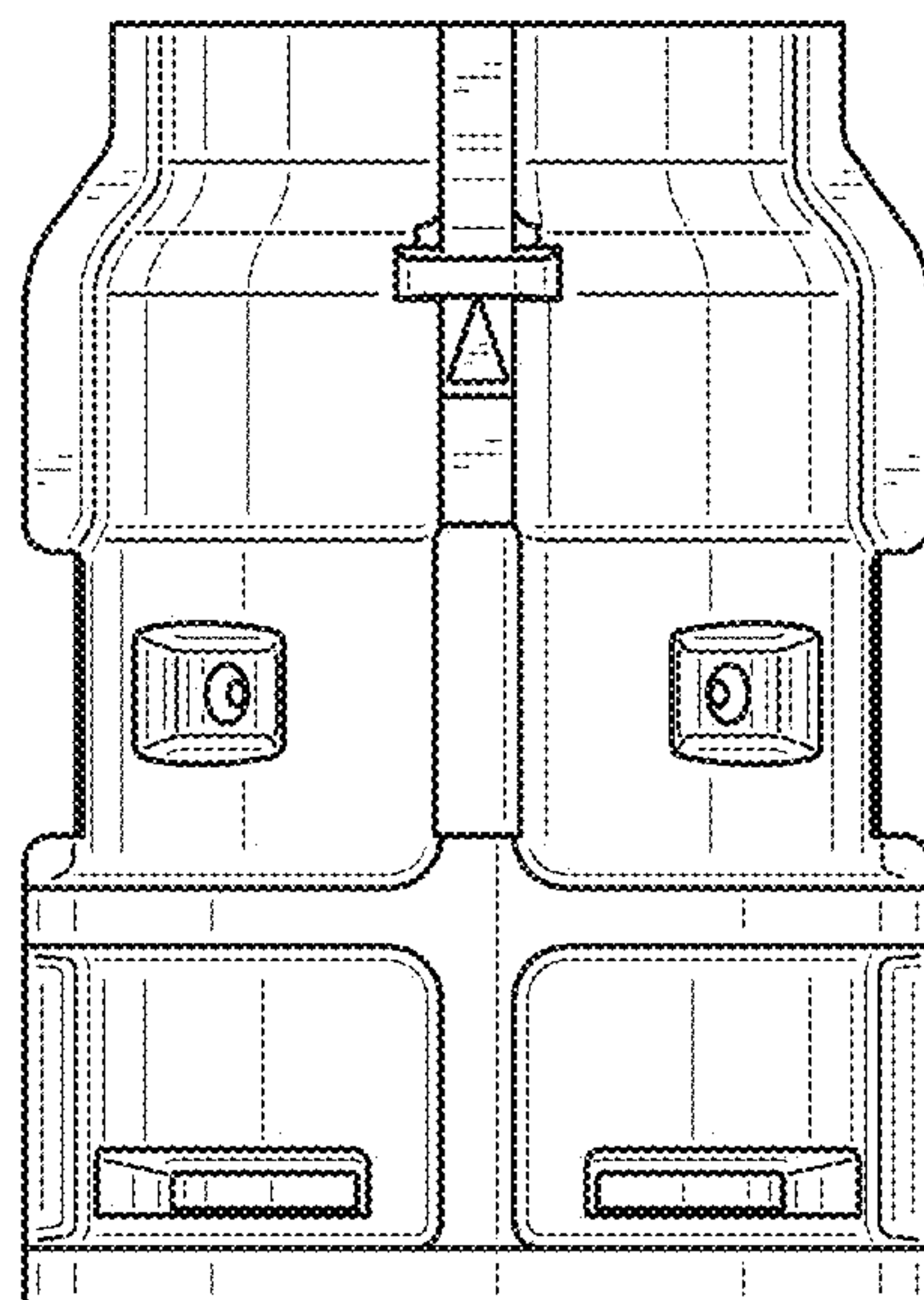


FIG. 3

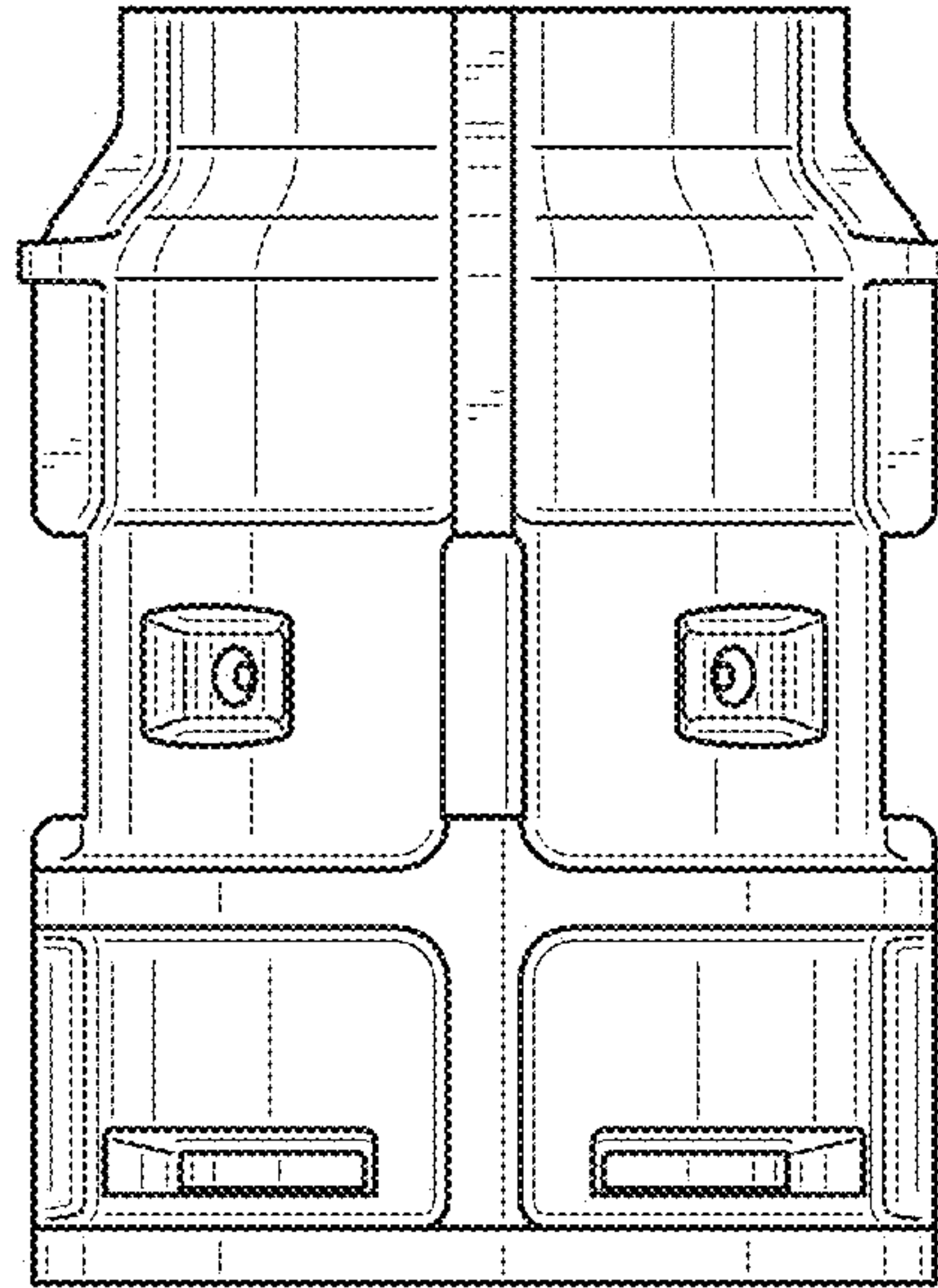


FIG. 4

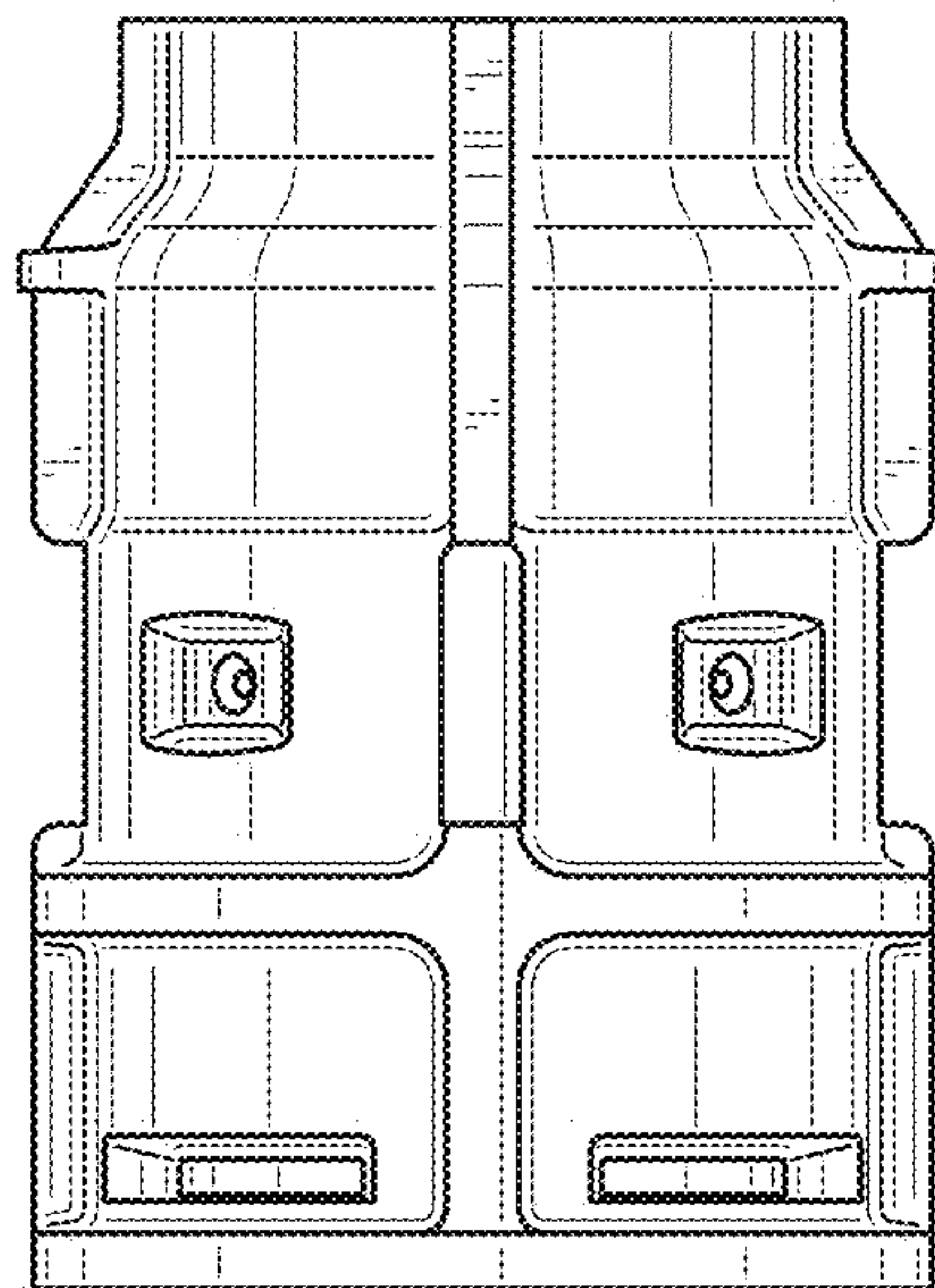


FIG. 5

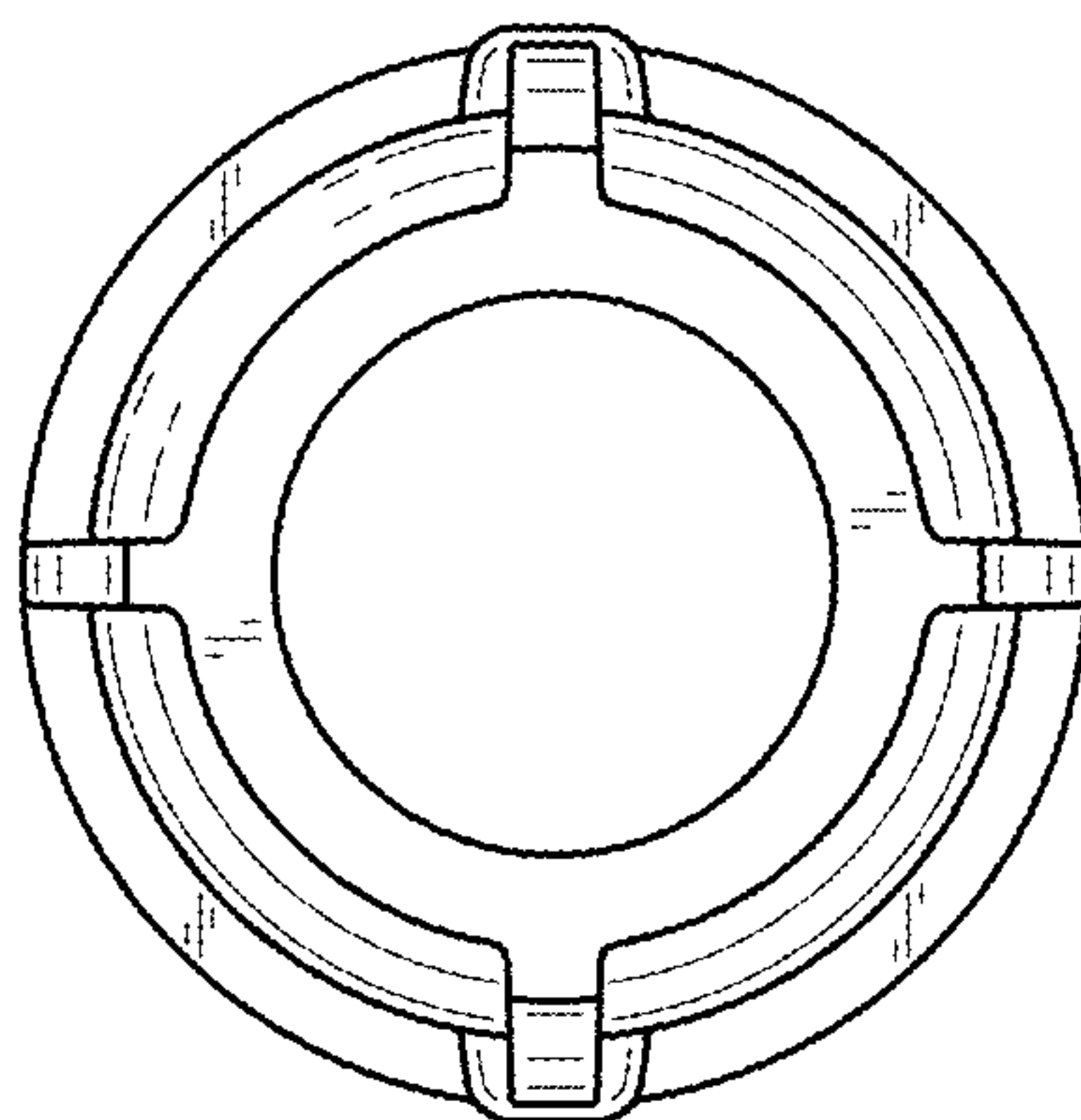


FIG. 6

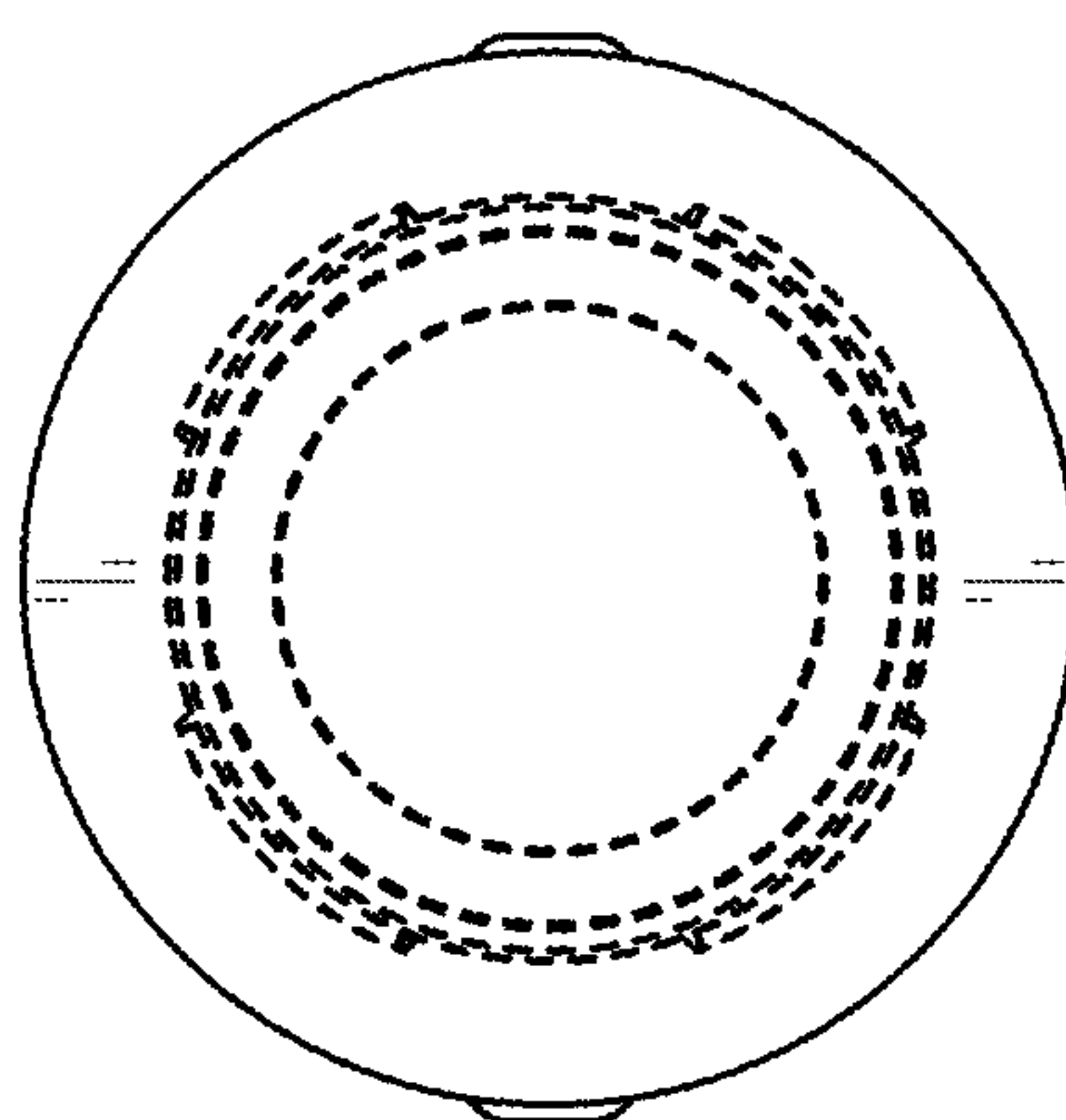


FIG. 7