



US00D746948S

(12) **United States Design Patent**
Hemman et al.

(10) **Patent No.:** **US D746,948 S**
(45) **Date of Patent:** **** Jan. 5, 2016**

(54) **VALVE**

(56) **References Cited**

(71) Applicant: **Ultraflo Corporation**, Ste. Genevieve,
MO (US)

(72) Inventors: **Corey J. Hemman**, Altenburg, MO
(US); **Thomas A. Linhorst**, Perryville,
MO (US)

(73) Assignee: **Ultraflo Corporation**, Ste. Genevieve,
MO (US)

(**) Term: **14 Years**

(21) Appl. No.: **29/482,950**

(22) Filed: **Feb. 24, 2014**

(51) **LOC (10) Cl.** **23-01**

(52) **U.S. Cl.**
USPC **D23/233**

(58) **Field of Classification Search**
USPC D23/233–237, 244–249; 137/385;
251/107, 109, 108, 285, 286, 287, 101
CPC ... F16K 31/04; F16K 31/0658; F16K 31/047;
F16K 31/0665; F16K 31/52416; F16K 31/53;
F16K 31/0672

See application file for complete search history.

U.S. PATENT DOCUMENTS

D253,365	S	*	11/1979	Nyberg	D23/247
4,815,693	A		3/1989	James et al.		
5,490,660	A		2/1996	Kamezawa		
5,598,724	A		2/1997	Primeau		
7,758,017	B2	*	7/2010	Sisk et al.	251/306
D678,471	S	*	3/2013	Sisk	D23/233
D696,748	S	*	12/2013	Sisk	D23/233
D701,589	S	*	3/2014	Praher et al.	D23/233
2005/0161624	A1		7/2005	Bancroft et al.		
2012/0181468	A1	*	7/2012	Telep et al.	251/304
2012/0267557	A1	*	10/2012	Lockwood et al.	251/306
2013/0056667	A1	*	3/2013	Shu	251/305
2014/0361204	A1	*	12/2014	Kratzer	251/63.6
2015/0034853	A1	*	2/2015	Gutmann et al.	251/230

* cited by examiner

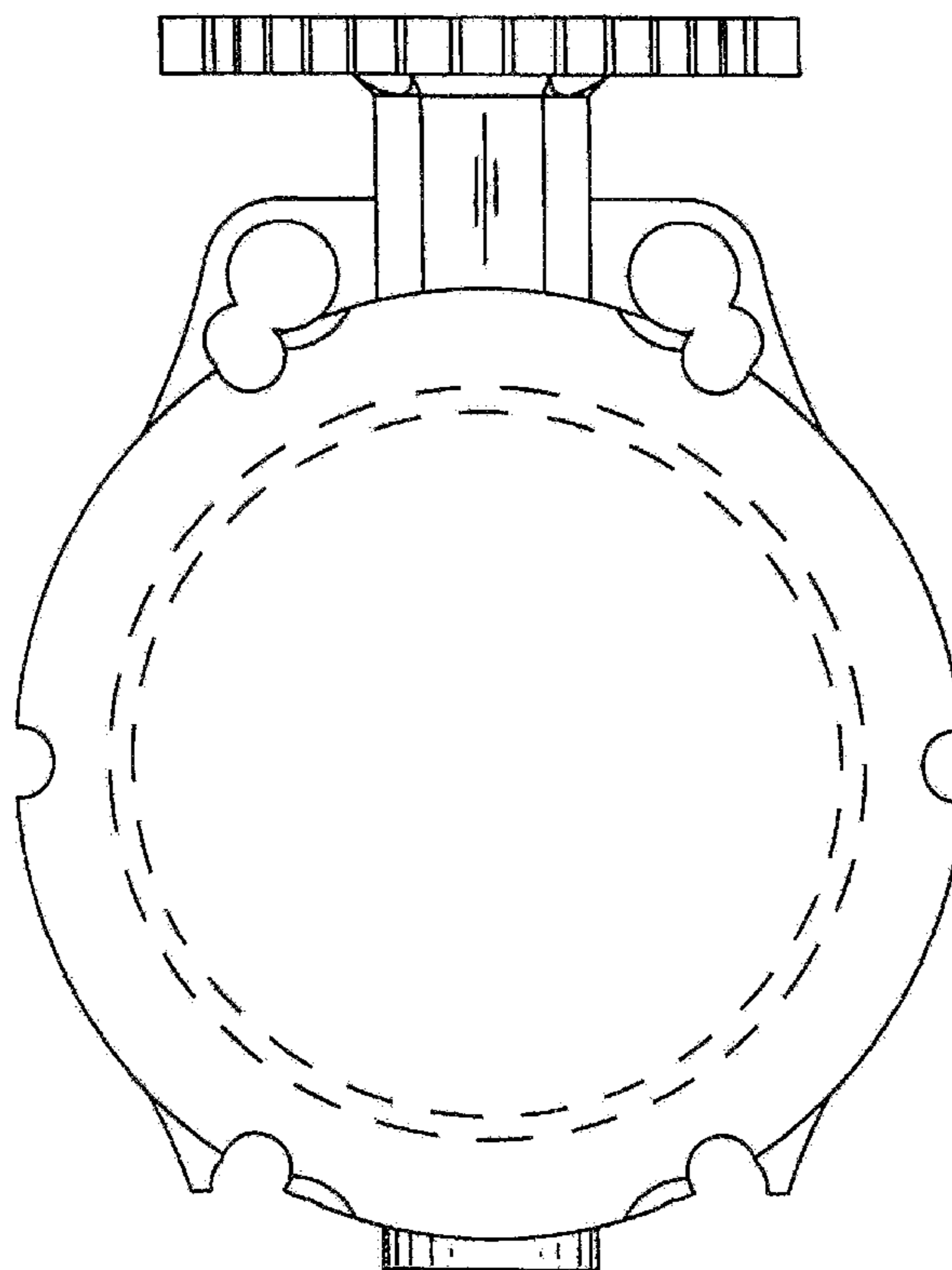
Primary Examiner — Cynthia Ramirez
(74) *Attorney, Agent, or Firm* — Matthews Edwards LLC

(57) **CLAIM**
The ornamental design for a valve, as shown.

DESCRIPTION

FIG. 1 is a front view of the valve;
FIG. 2 is a rear view of the valve;
FIG. 3 is a right side view of the valve;
FIG. 4 is a left side view of the valve;
FIG. 5 is a top view of the valve; and,
FIG. 6 is a bottom view of the valve.

1 Claim, 6 Drawing Sheets



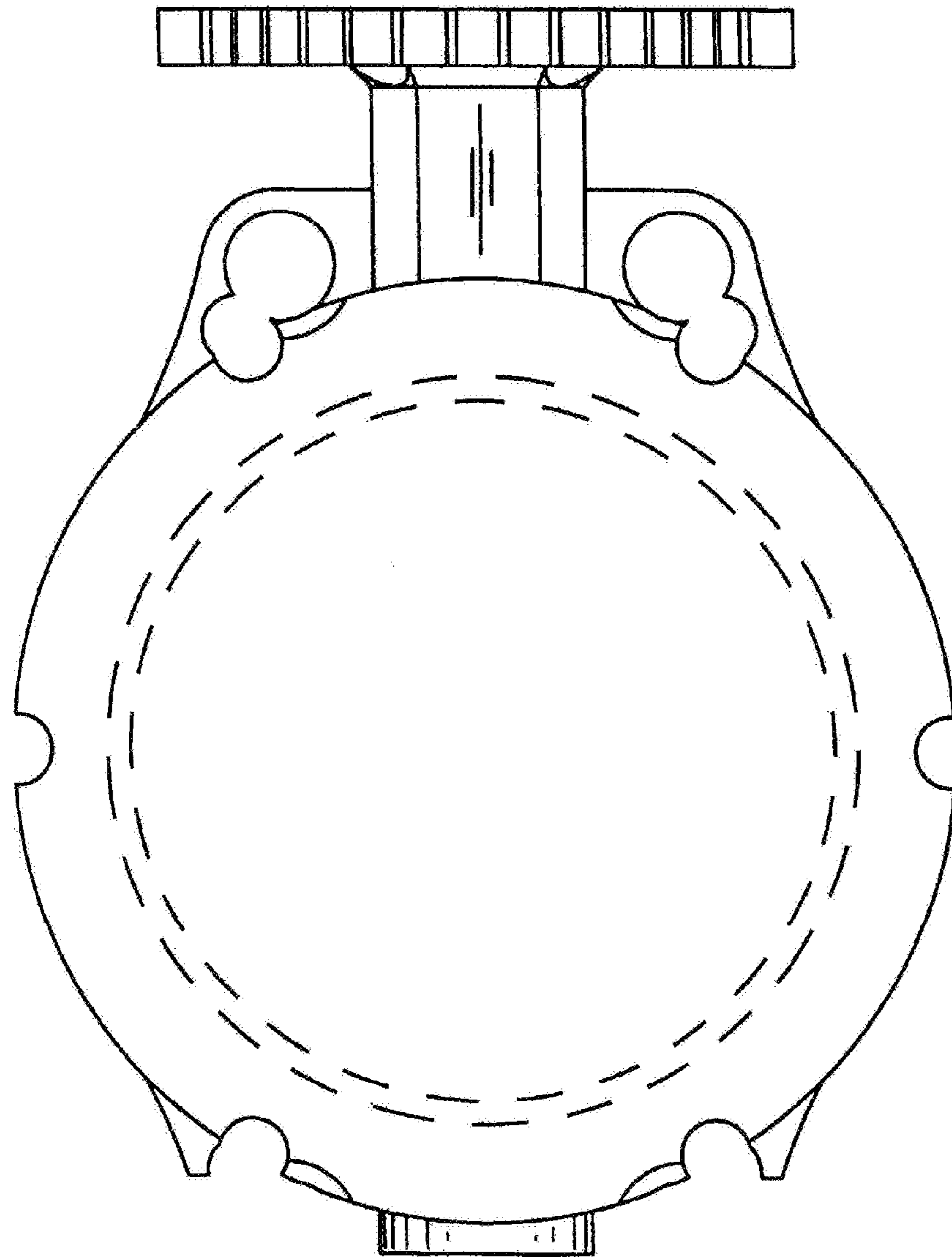


Fig. 1

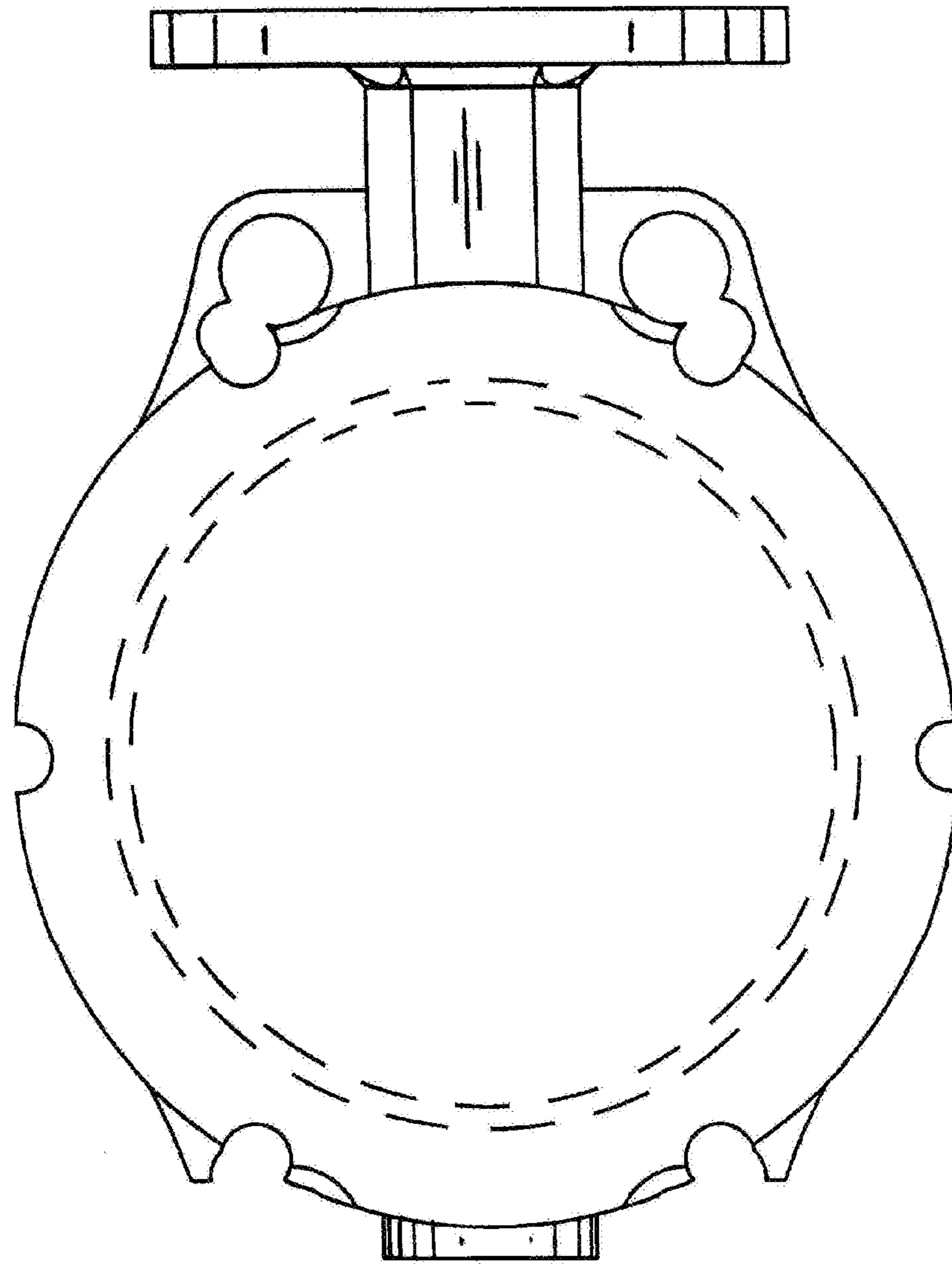


Fig. 2

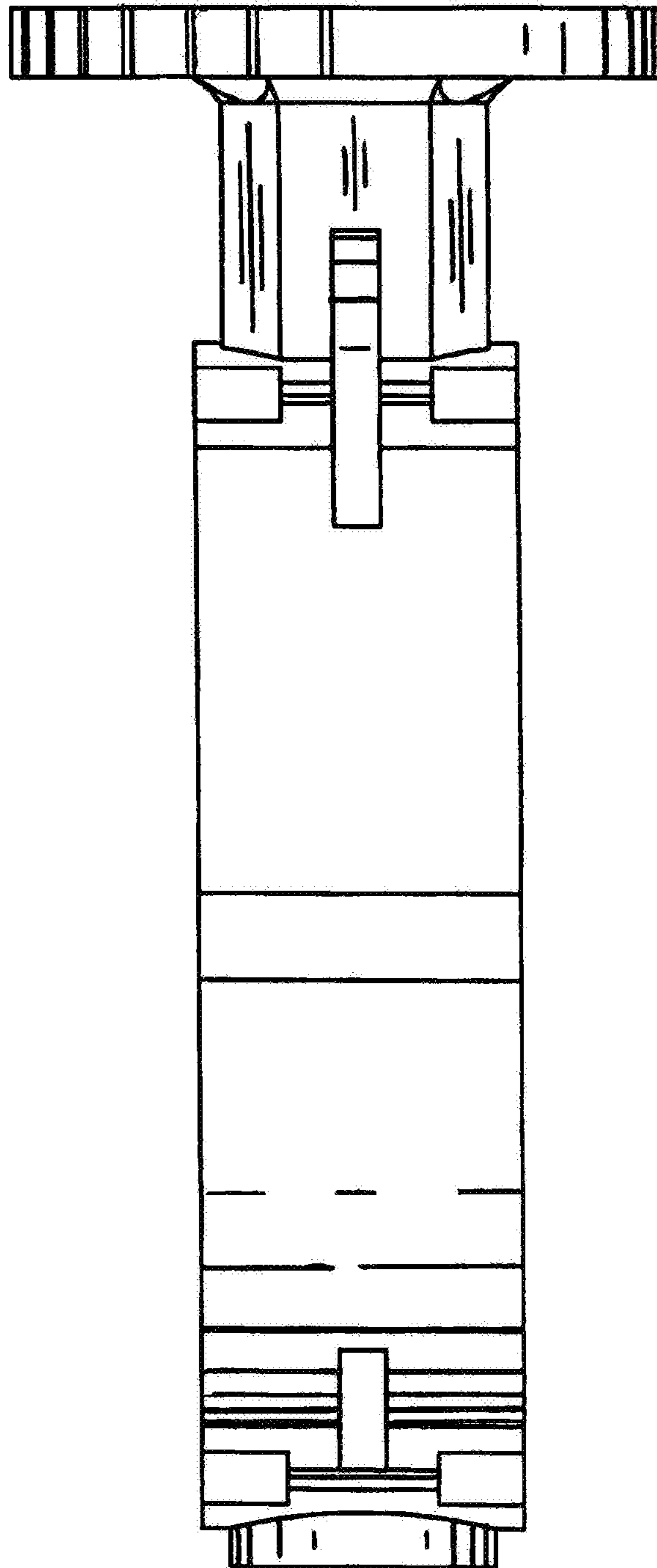


Fig. 3

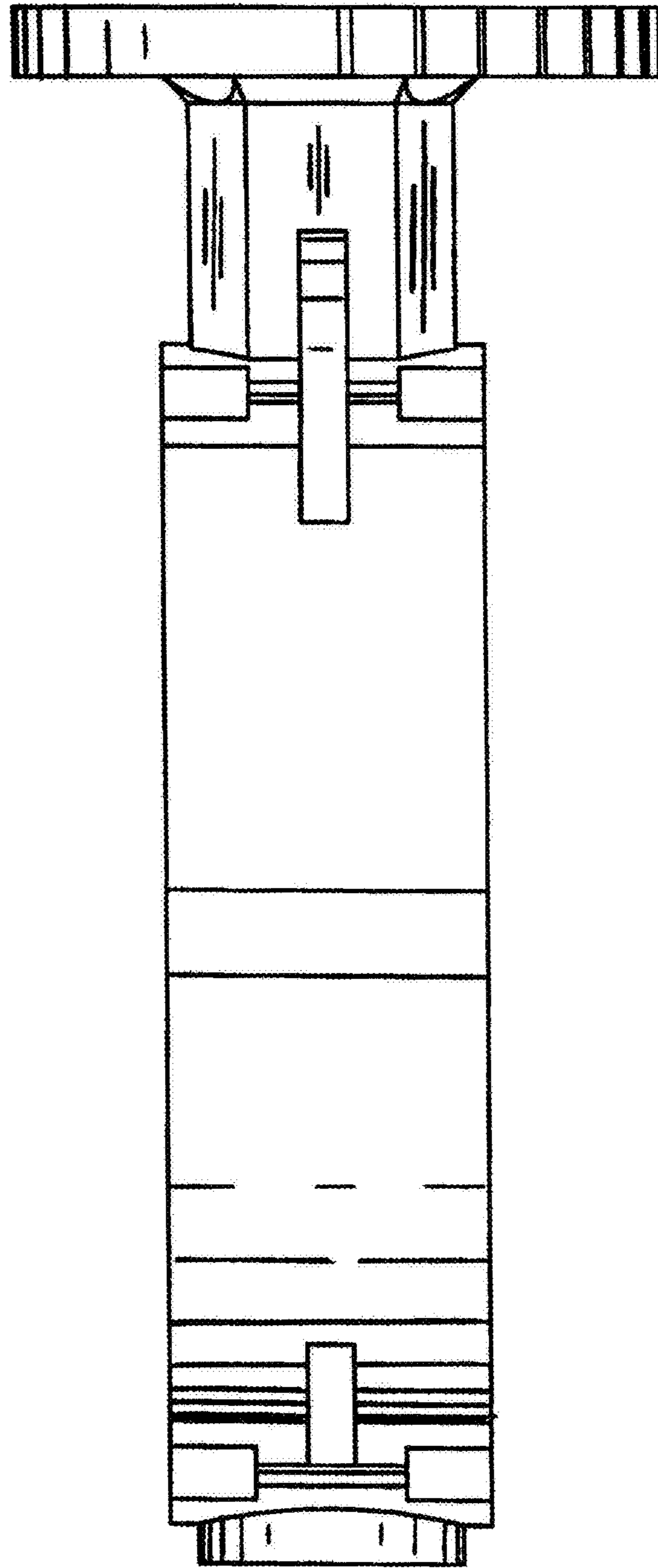


Fig. 4

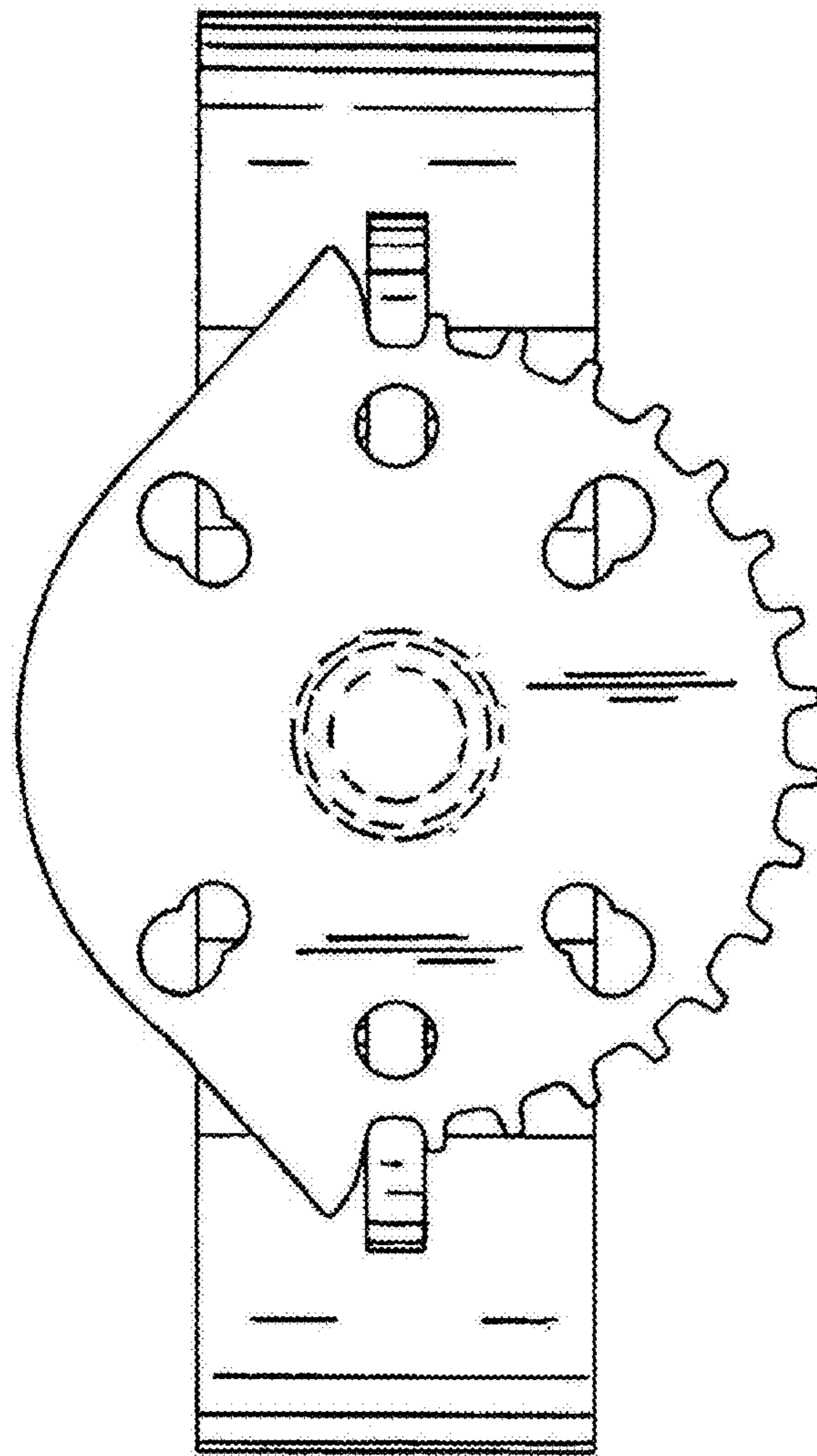


Fig. 5

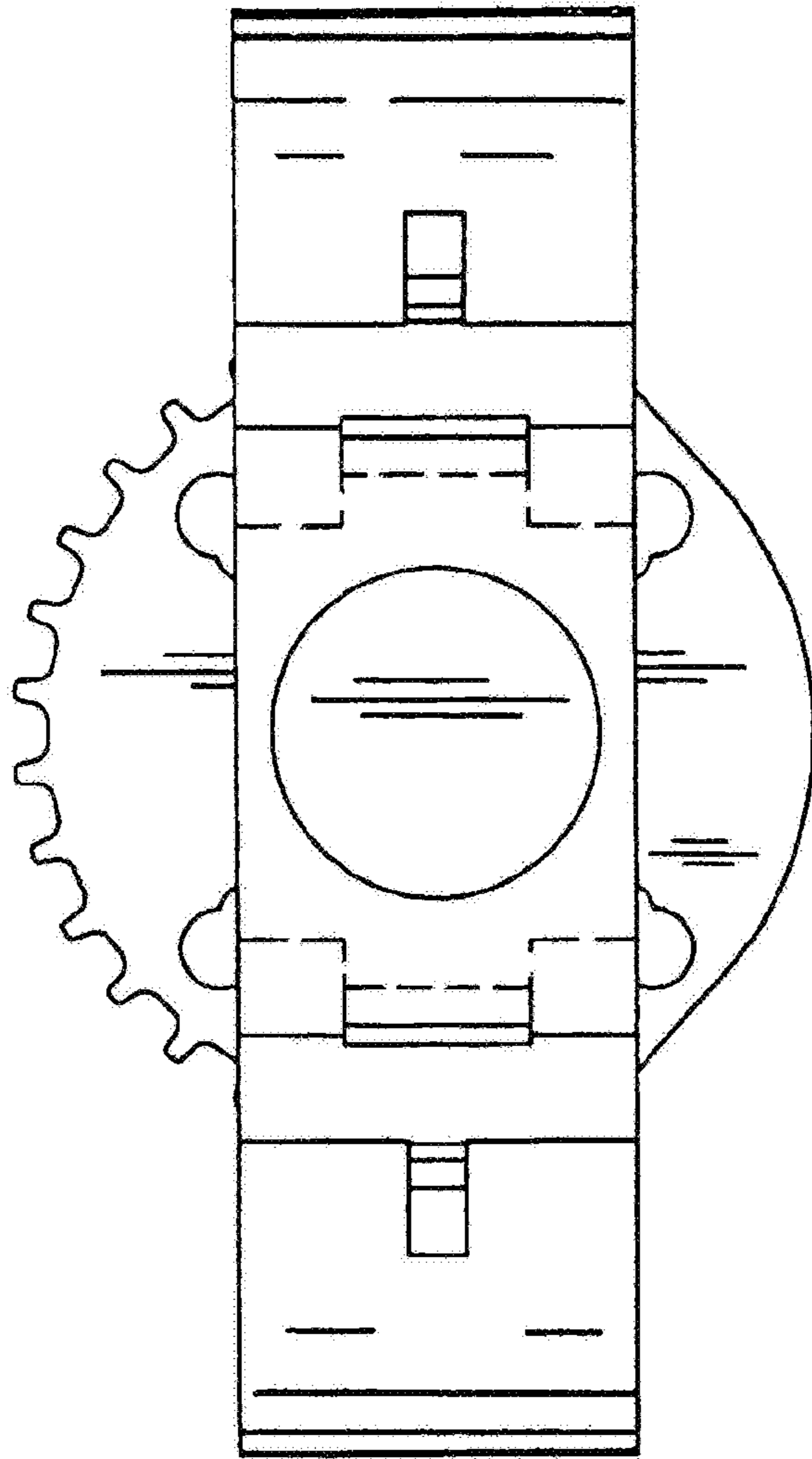


Fig. 6