



US00D746947S

(12) **United States Design Patent**  
**Näslund**

(10) **Patent No.:** **US D746,947 S**  
(45) **Date of Patent:** **\*\* Jan. 5, 2016**

(54) **SPRAY LANCE HANDLE**

(71) Applicant: **Husqvarna AB**, Huskvarna (SE)

(72) Inventor: **Jens Näslund**, Johanneshov (SE)

(73) Assignee: **HUSQVARNA AB**, Huskvarna (SE)

(\*\*) Term: **14 Years**

(21) Appl. No.: **29/500,495**

(22) Filed: **Aug. 26, 2014**

(30) **Foreign Application Priority Data**

Mar. 13, 2014 (EM) ..... 002424465-0026

(51) **LOC (10) Cl.** ..... **23-01**

(52) **U.S. Cl.**  
USPC ..... **D23/223**

(58) **Field of Classification Search**  
USPC ..... D23/213, 223, 226; 239/525-6, 530,  
239/532

CPC ..... B05B 9/01; B05B 12/002; B05B 7/02;  
B05B 7/025

See application file for complete search history.

(56) **References Cited**

**U.S. PATENT DOCUMENTS**

D502,533 S \* 3/2005 Chen ..... D23/226  
D538,884 S \* 3/2007 Fontaine ..... D23/223

D564,065 S \* 3/2008 Yu ..... D23/223  
D569,478 S \* 5/2008 Cichy et al. .... D23/223  
D573,689 S \* 7/2008 Tullney et al. .... D23/223

\* cited by examiner

*Primary Examiner* — Robin V Webster

(74) *Attorney, Agent, or Firm* — Nelson Mullins Riley & Scarborough LLP

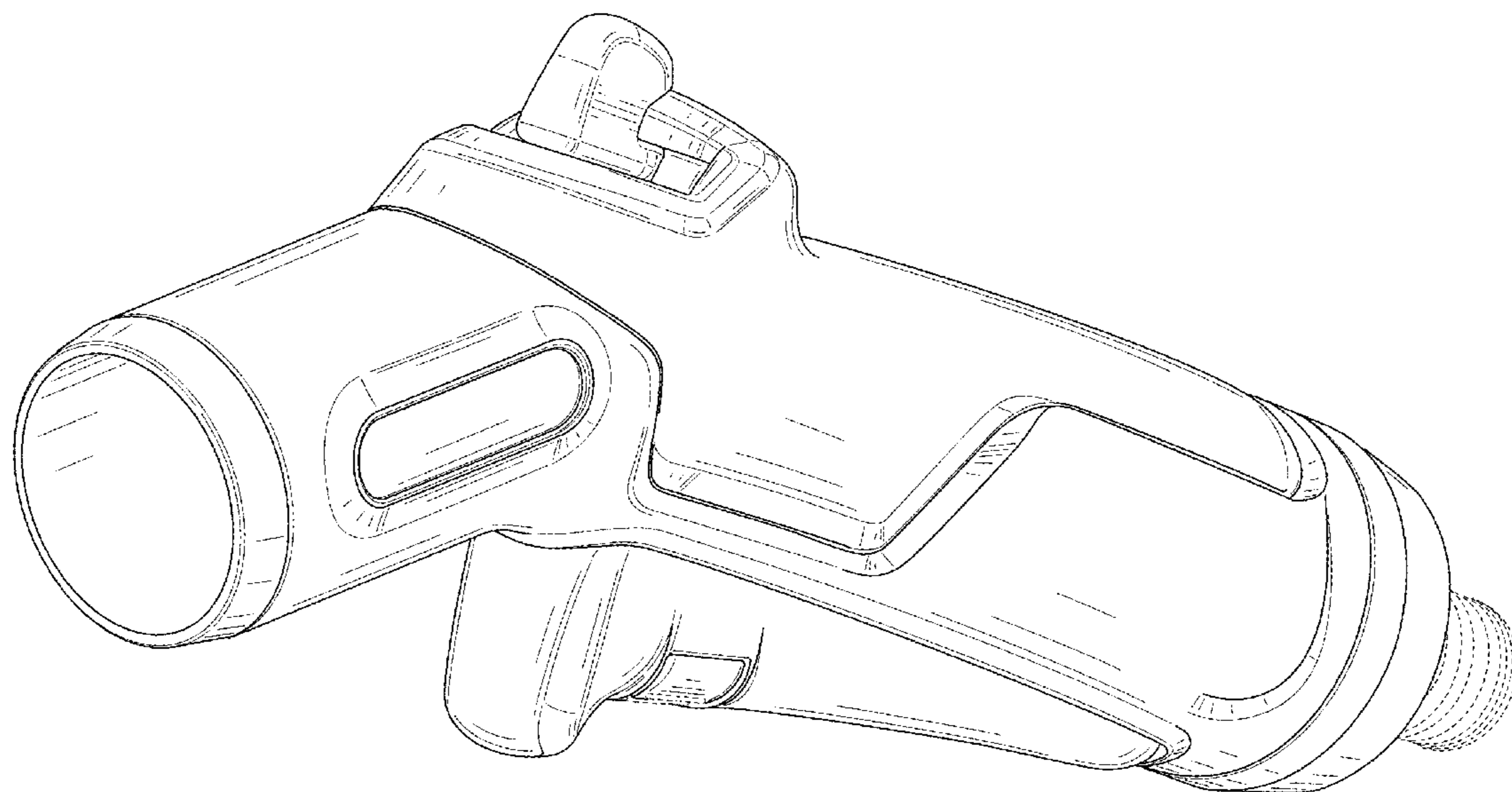
(57) **CLAIM**

The ornamental design for a spray lance handle, as shown and described.

**DESCRIPTION**

FIG. 1 is a perspective view of a spray lance handle in accordance with an embodiment of the present invention; FIG. 2 is a front view of the spray lance handle of FIG. 1; FIG. 3 is a back view of the spray lance handle of FIG. 1; FIG. 4 is a left side view of the spray lance handle of FIG. 1; FIG. 5 is a right side view of the spray lance handle of FIG. 1; FIG. 6 is a top view of the spray lance handle of FIG. 1; FIG. 7 is a bottom view of the spray lance handle of FIG. 1; and, FIG. 8 is a side view of the spray lance handle shown in the context of attachment with a spray lance head. The broken lines of FIGS. 1-8 are illustrative of the visible environmental structure of the spray lance handle and form no part of the claimed design.

**1 Claim, 6 Drawing Sheets**



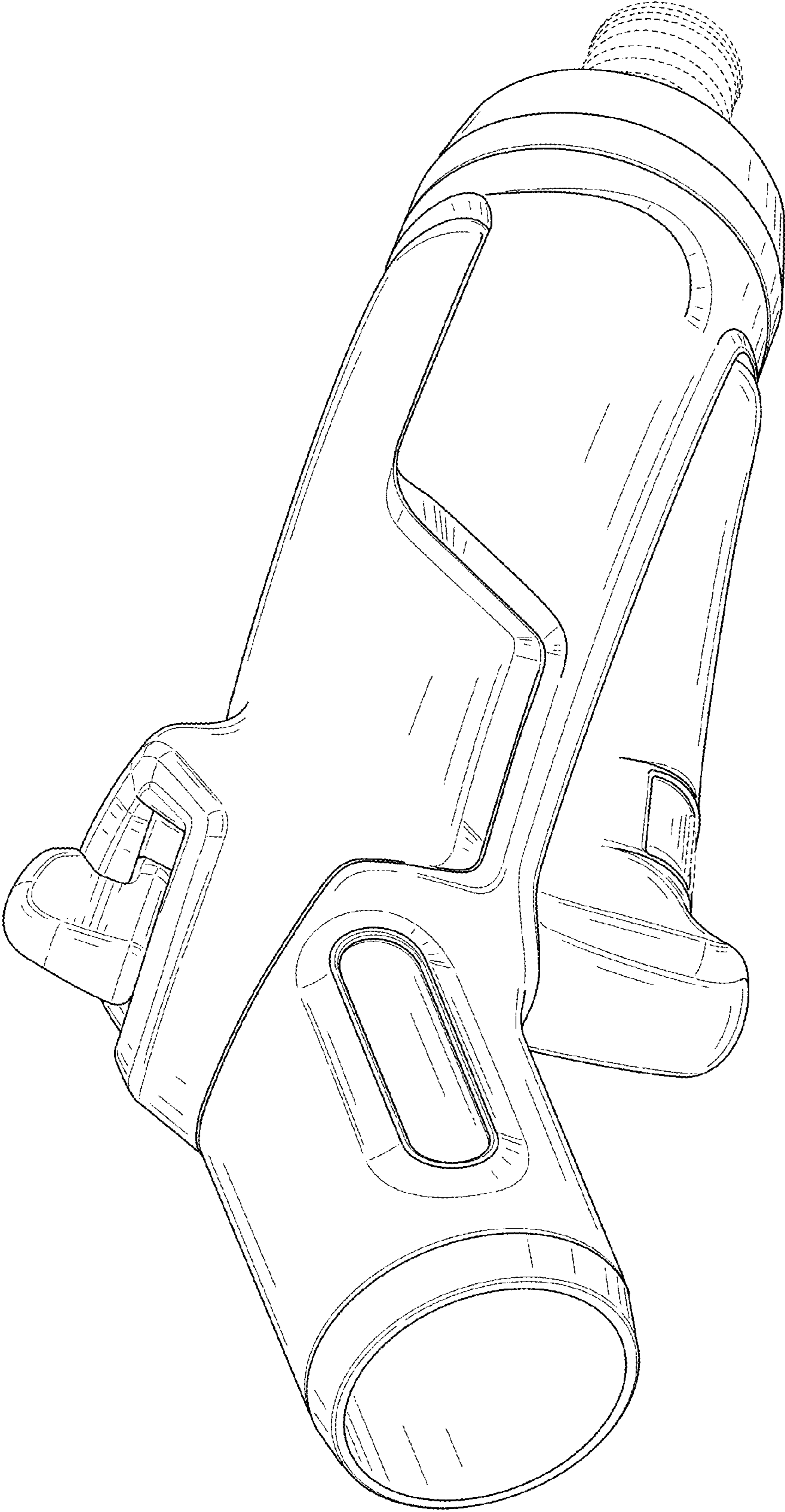
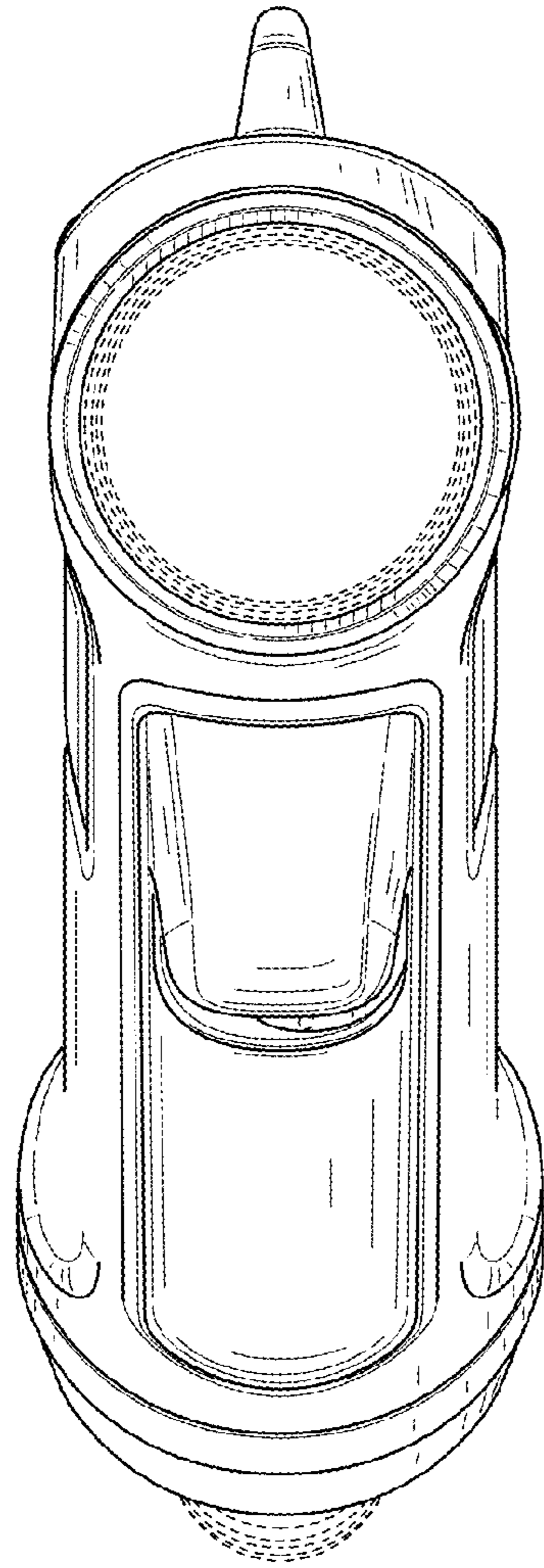
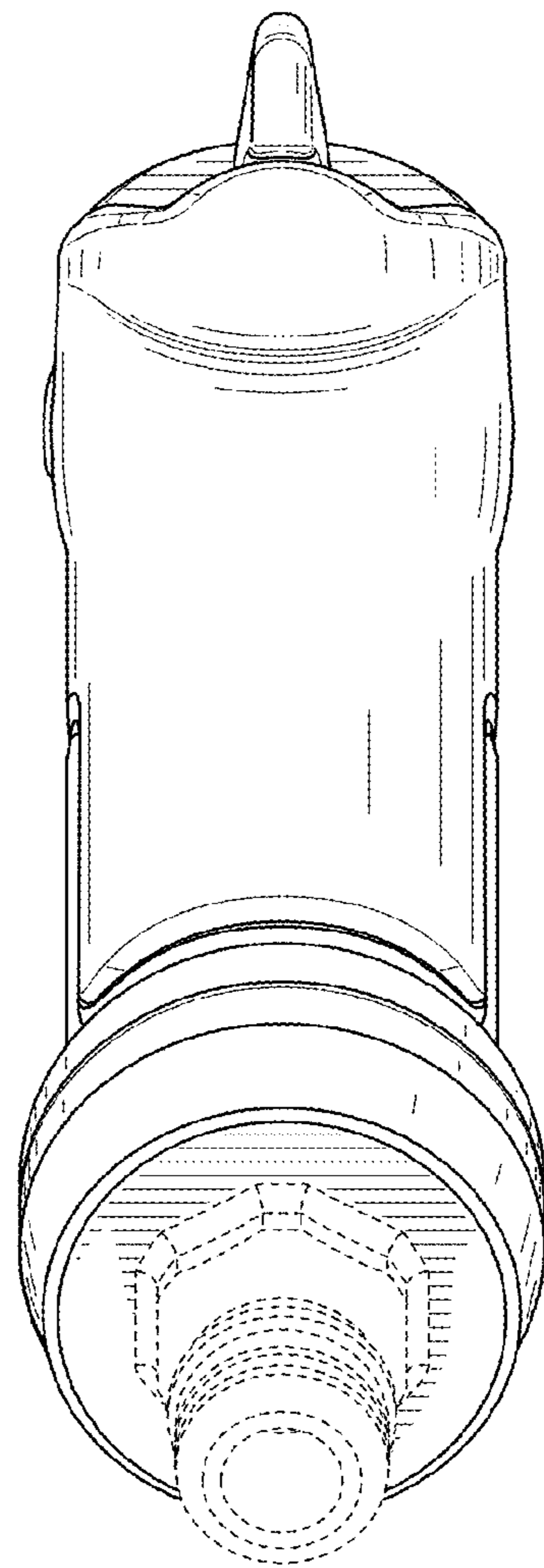


FIG. 1



**FIG. 2**



**FIG. 3**

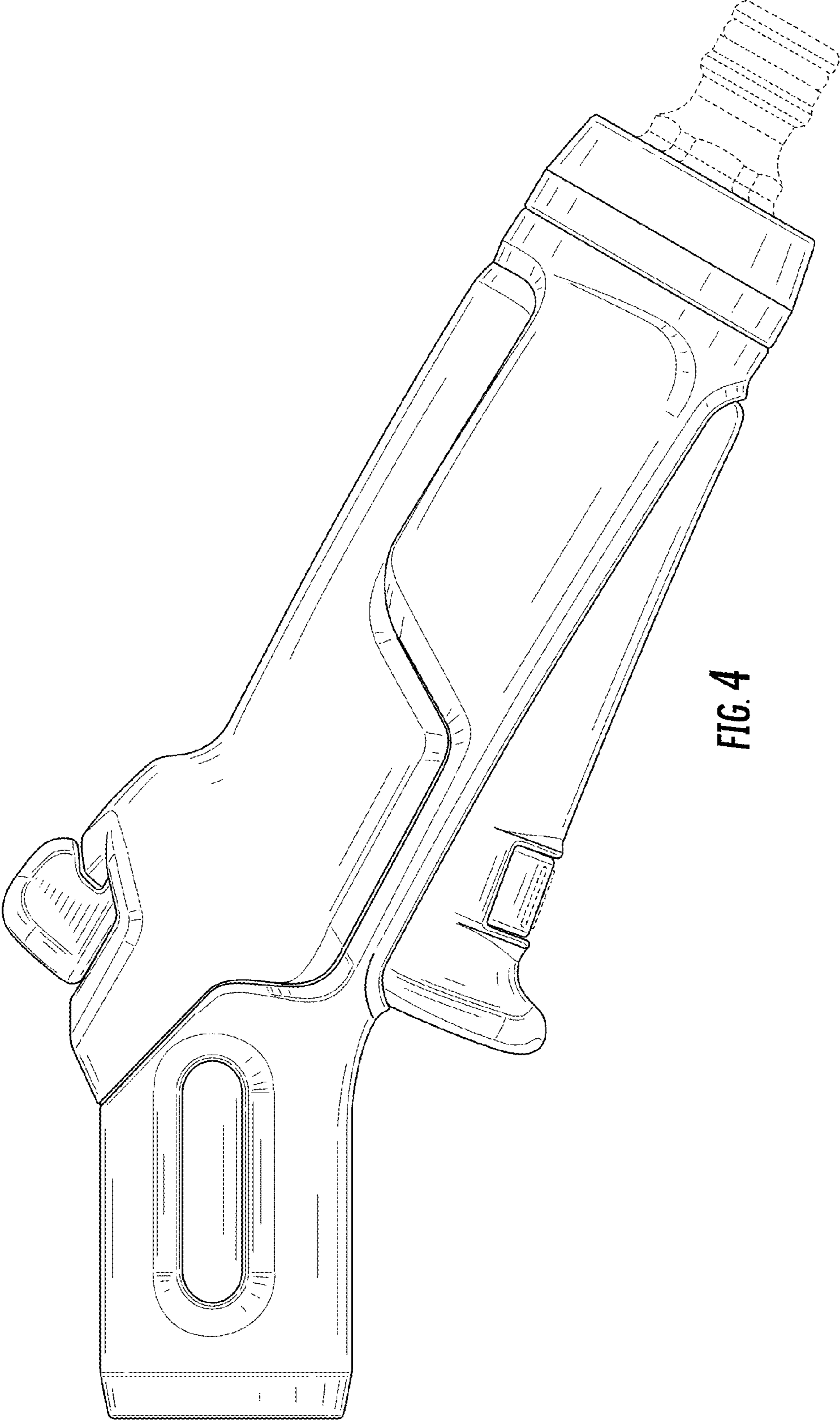


FIG. 4

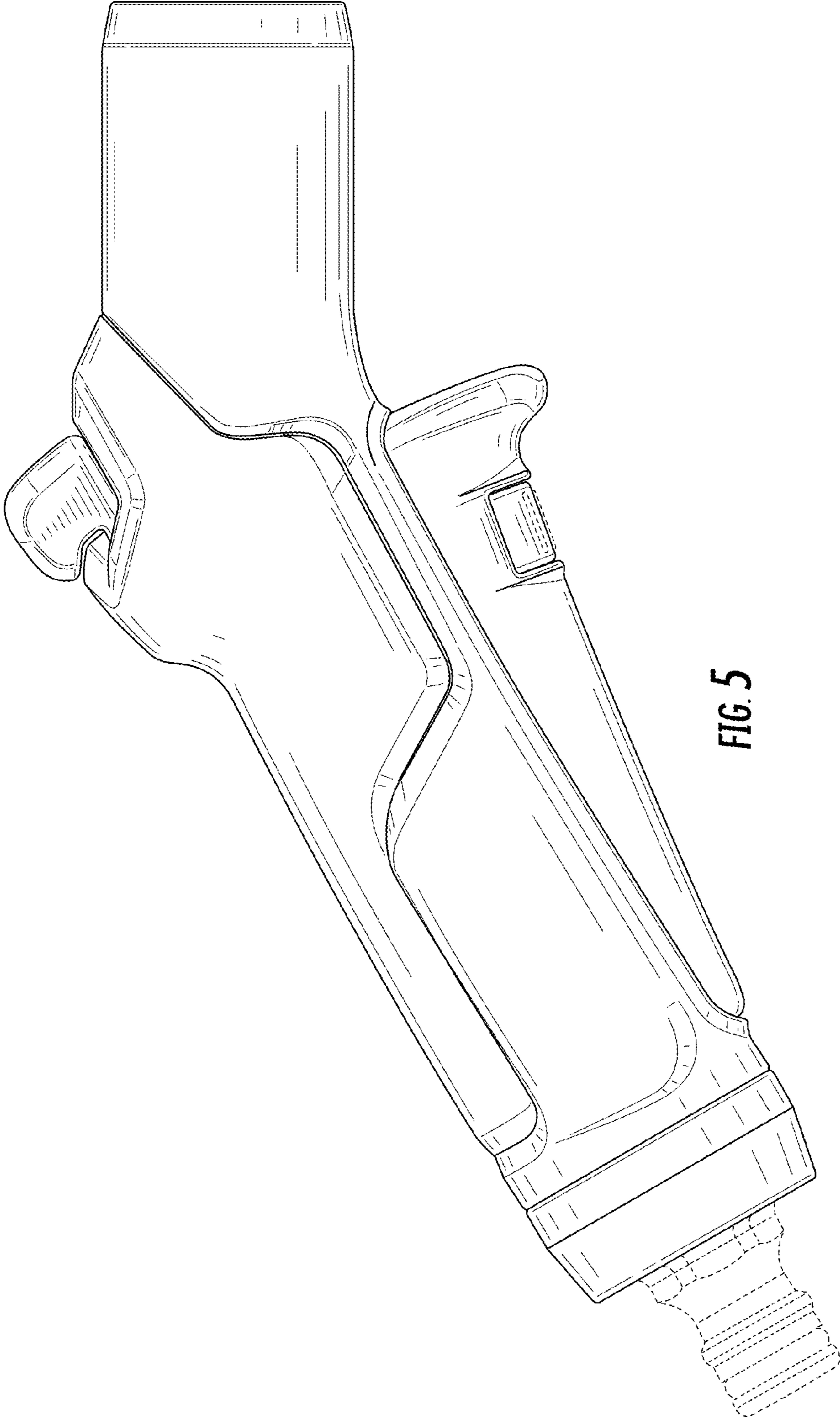


FIG. 5

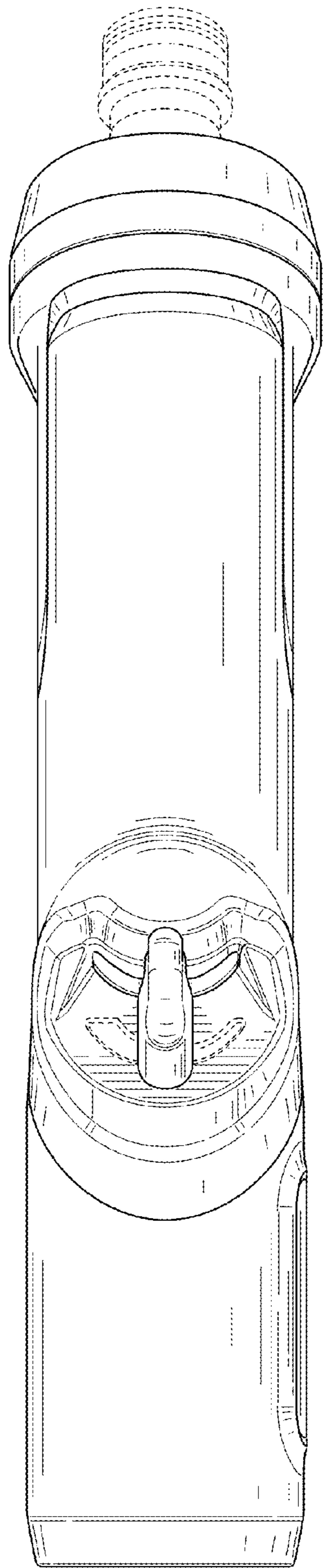


FIG. 6

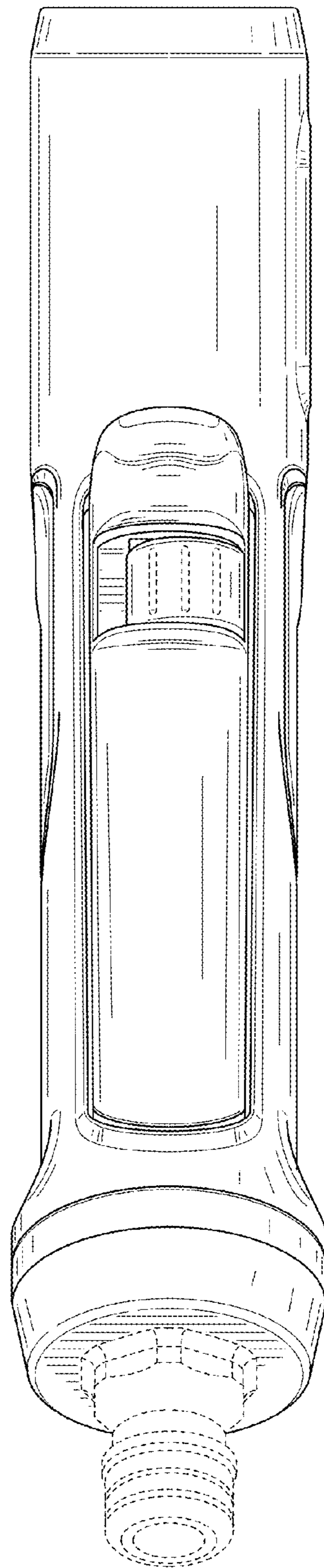


FIG. 7

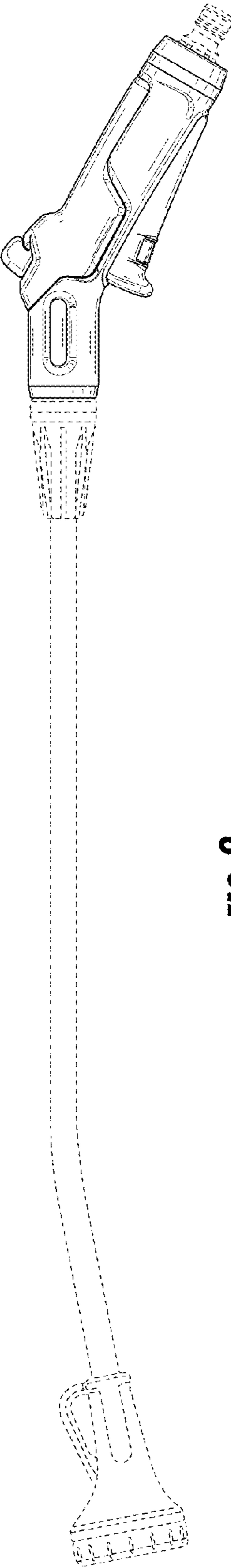


FIG. 8