



US00D746946S

(12) **United States Design Patent**
Näslund

(10) **Patent No.:** **US D746,946 S**
(45) **Date of Patent:** **** Jan. 5, 2016**

(54) **SPRAYER**

(71) Applicant: **Husqvarna AB**, Huskvarna (SE)

(72) Inventor: **Jens Näslund**, Johanneshov (SE)

(73) Assignee: **HUSQVARNA AB**, Huskvarna (SE)

(**) Term: **14 Years**

(21) Appl. No.: **29/500,492**

(22) Filed: **Aug. 26, 2014**

(30) **Foreign Application Priority Data**

Mar. 13, 2014 (EM) 002424465-0022

(51) **LOC (10) Cl.** **23-01**

(52) **U.S. Cl.**
USPC **D23/223; D23/226**

(58) **Field of Classification Search**
USPC D23/213, 223, 226; 239/525-6, 530,
239/532
CPC B05B 9/01; B05B 12/002; B05B 7/02;
B05B 7/025
See application file for complete search history.

(56) **References Cited**

U.S. PATENT DOCUMENTS

D347,463 S * 5/1994 Kingston et al. D23/223
D468,802 S * 1/2003 Nien D23/226

D522,088 S * 5/2006 Roman D23/223
D553,223 S * 10/2007 Yu D23/226
D559,353 S * 1/2008 Chih D23/226
D559,354 S * 1/2008 Chih D23/226
D572,338 S * 7/2008 Hung D23/223
D663,012 S * 7/2012 Chen D23/226
D694,360 S * 11/2013 Gaetano D23/223

* cited by examiner

Primary Examiner — Robin V Webster

(74) *Attorney, Agent, or Firm* — Nelson Mullins Riley & Scarborough LLP

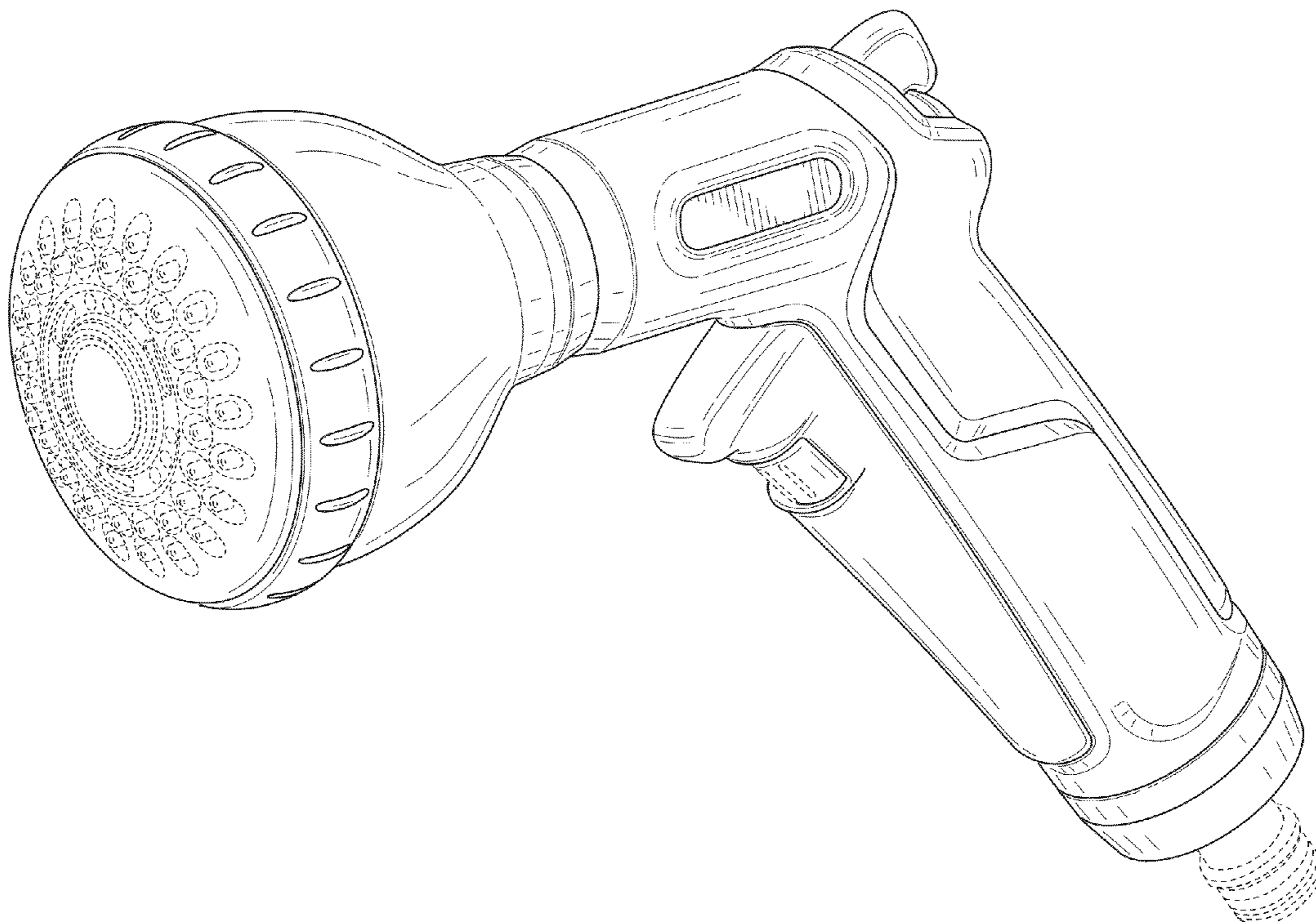
(57) **CLAIM**

The ornamental design for a sprayer, as shown and described.

DESCRIPTION

FIG. 1 is a perspective view of a sprayer in accordance with an embodiment of the present invention;
FIG. 2 is a front view of the sprayer of FIG. 1;
FIG. 3 is a back view of the sprayer of FIG. 1;
FIG. 4 is a left side view of the sprayer of FIG. 1;
FIG. 5 is a right side view of the sprayer of FIG. 1;
FIG. 6 is a top view of the sprayer of FIG. 1; and,
FIG. 7 is a bottom view of the sprayer of FIG. 1.
The broken lines of FIGS. 1-7 are illustrative of the visible environmental structure of the sprayer and form no part of the claimed design.

1 Claim, 5 Drawing Sheets



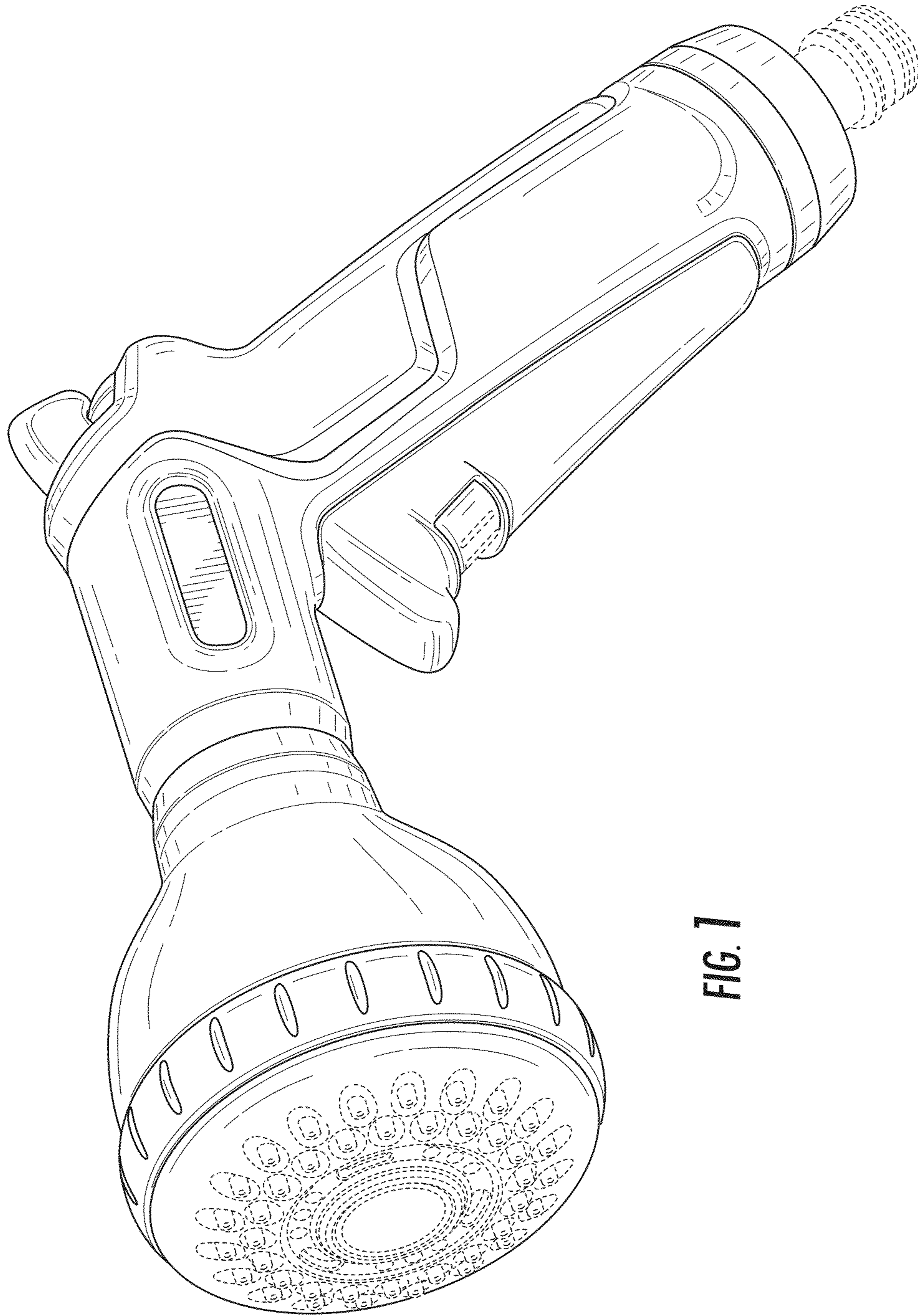


FIG. 1

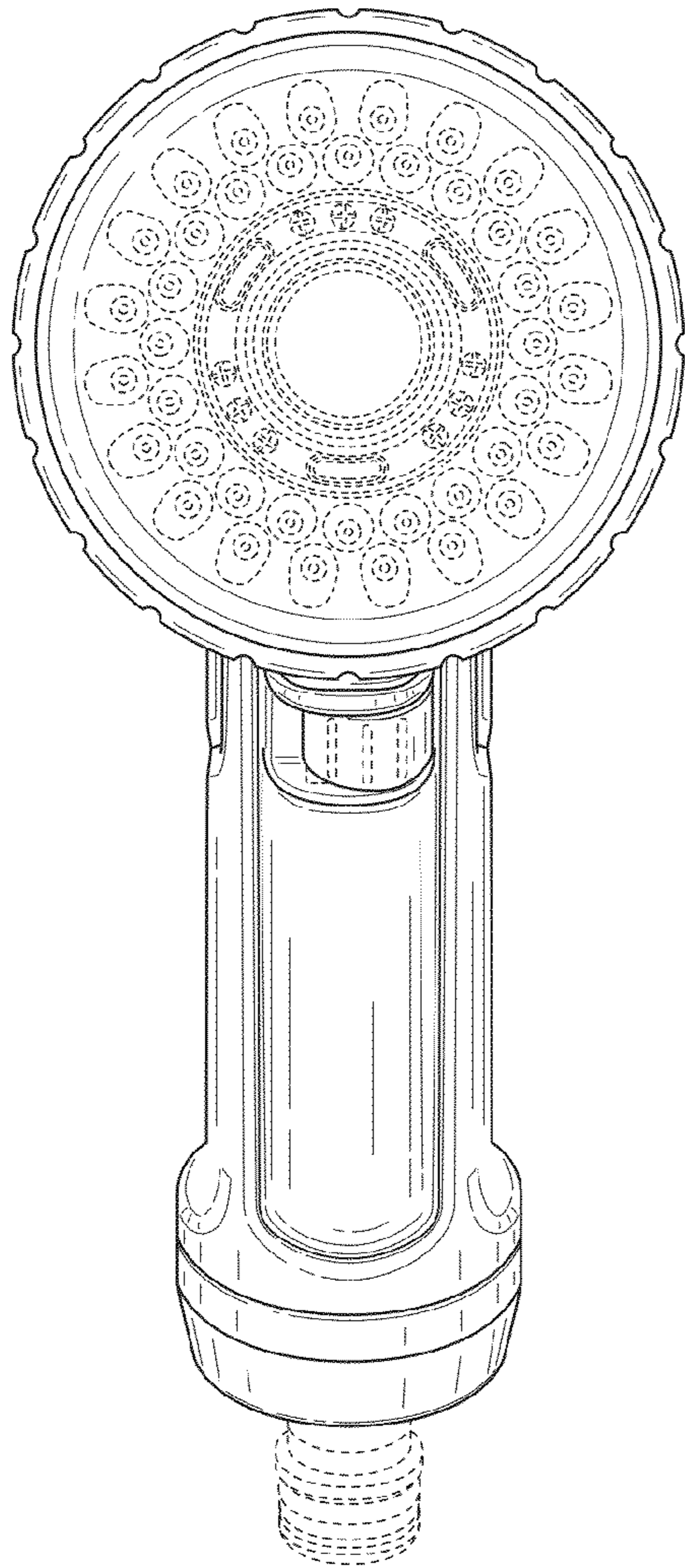


FIG. 2

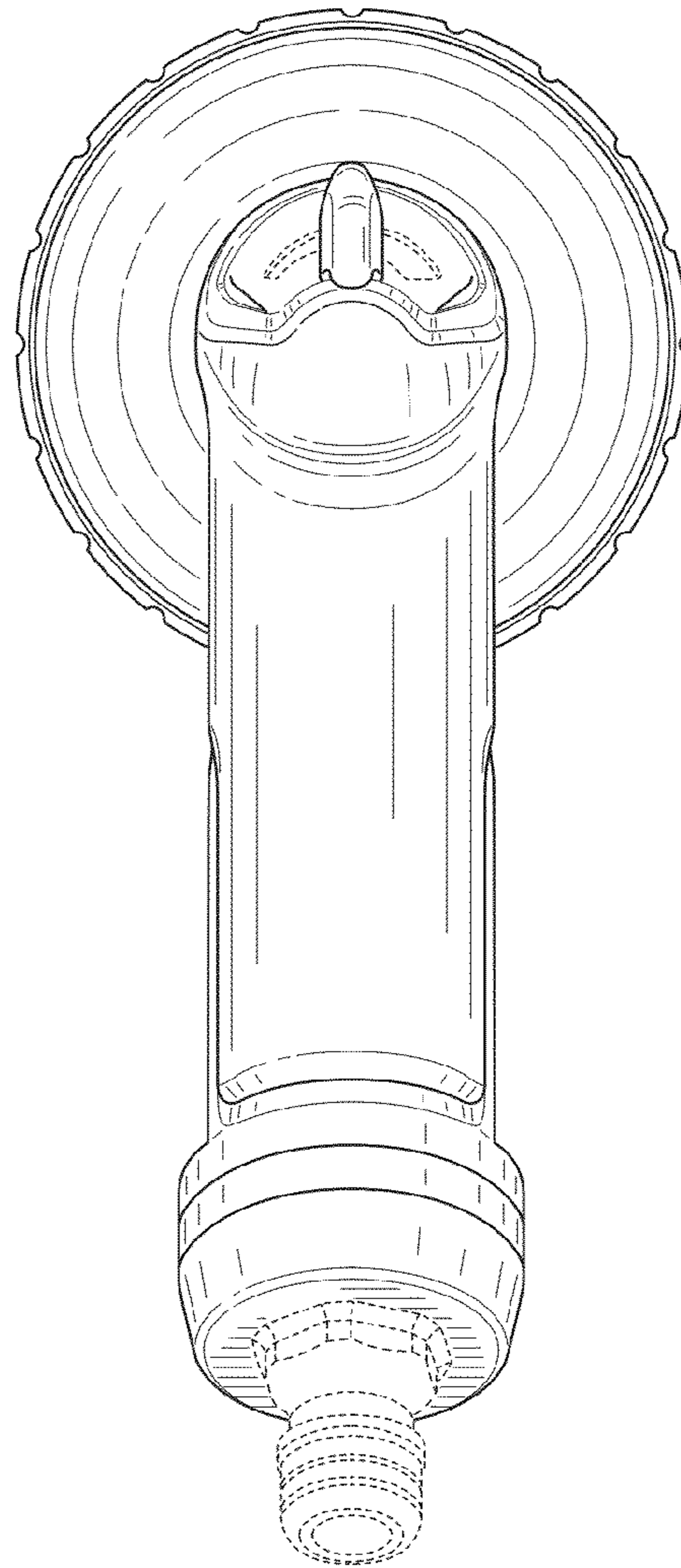


FIG. 3

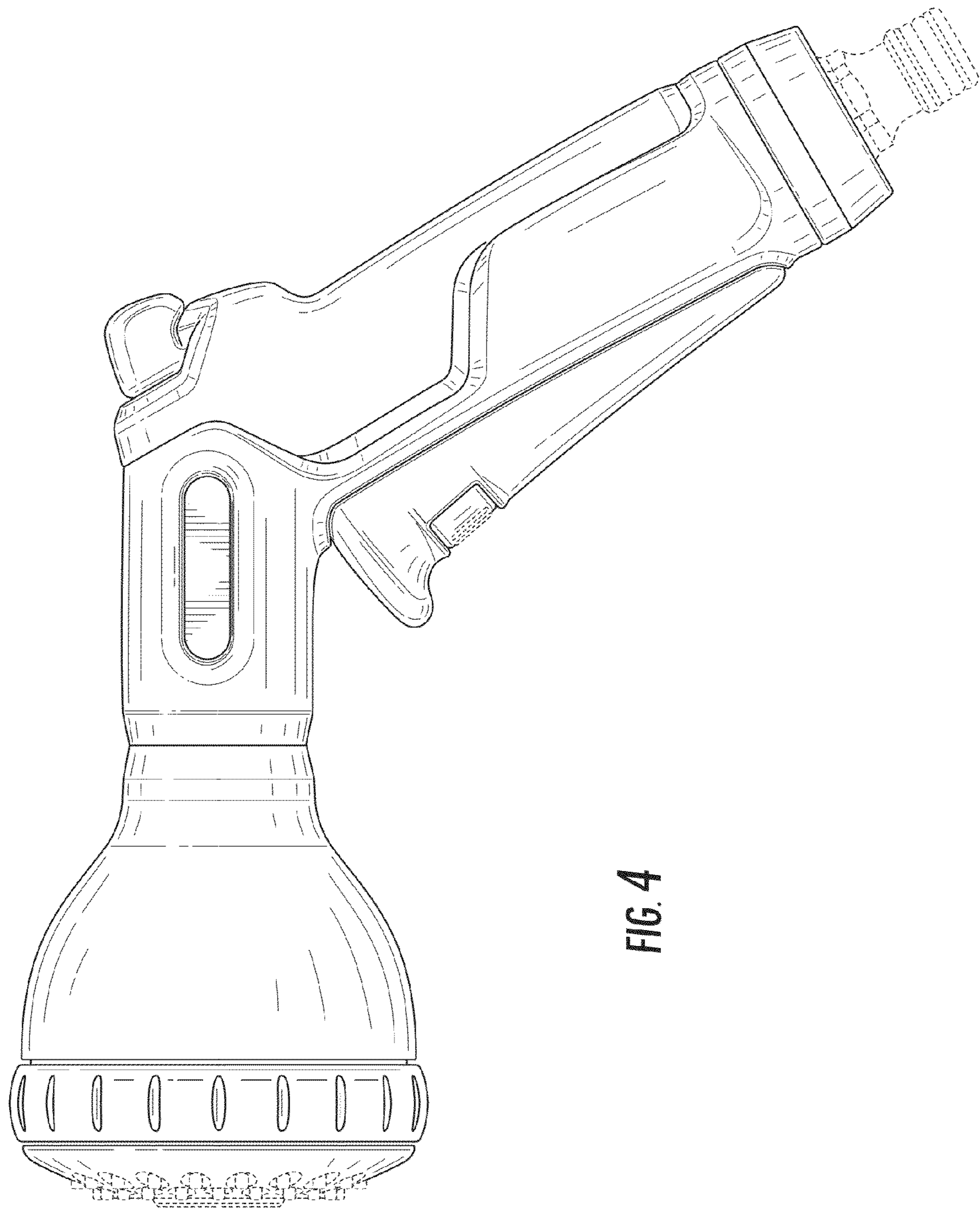


FIG. 4

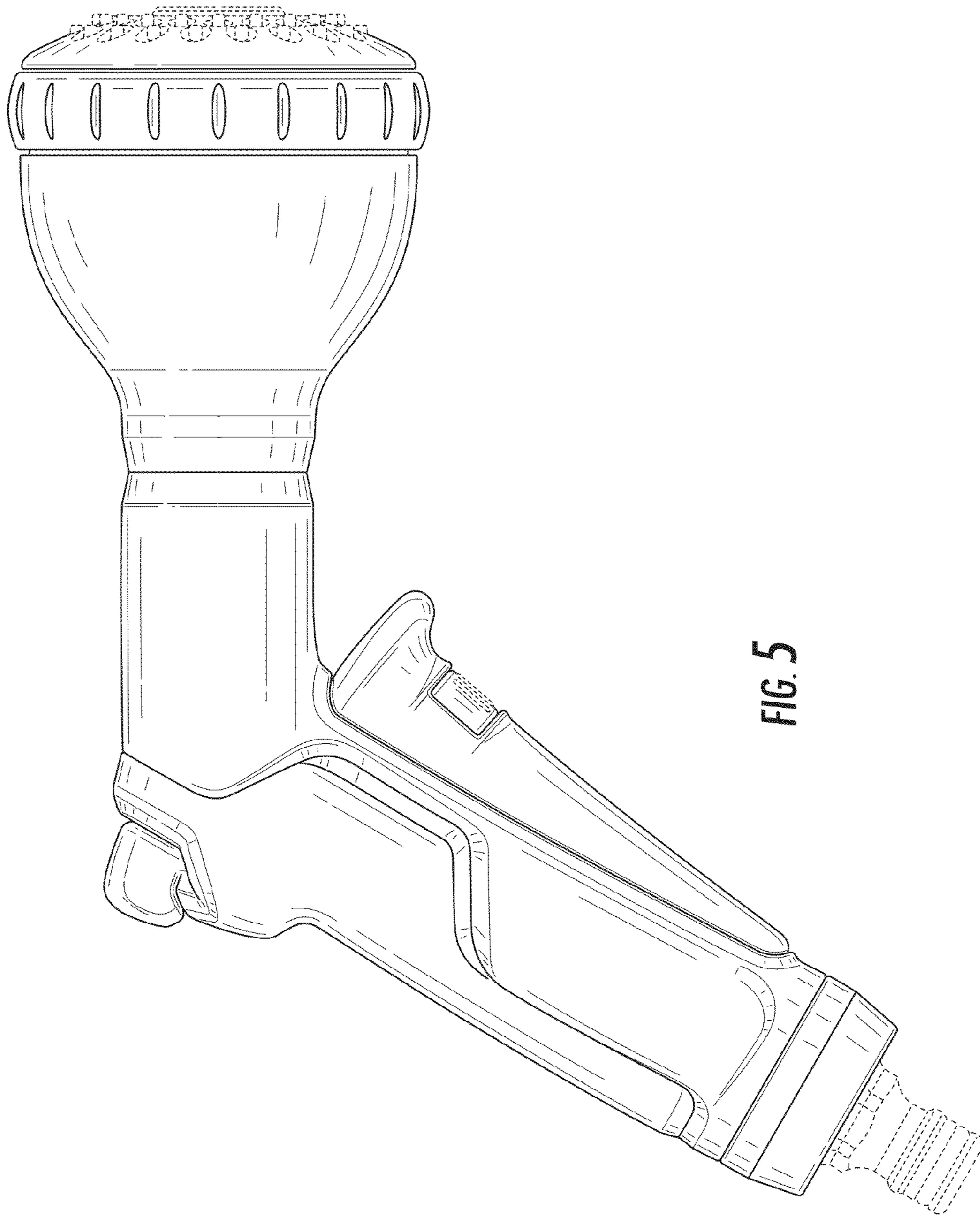


FIG. 5

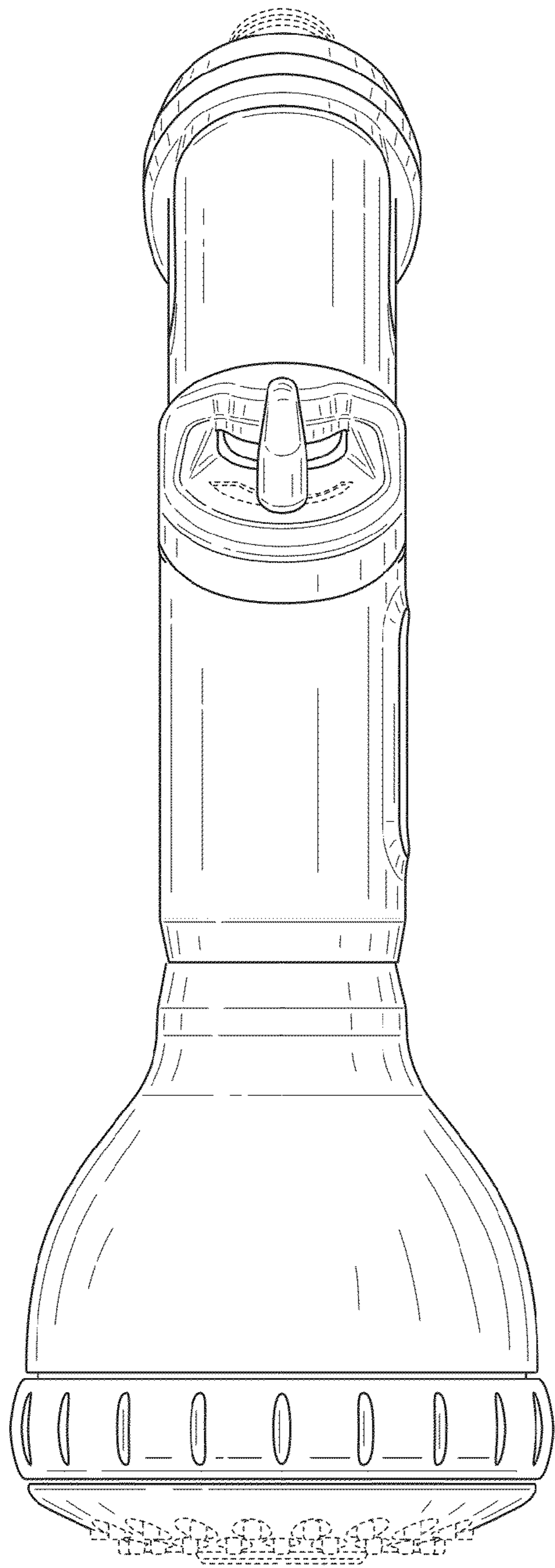


FIG. 6

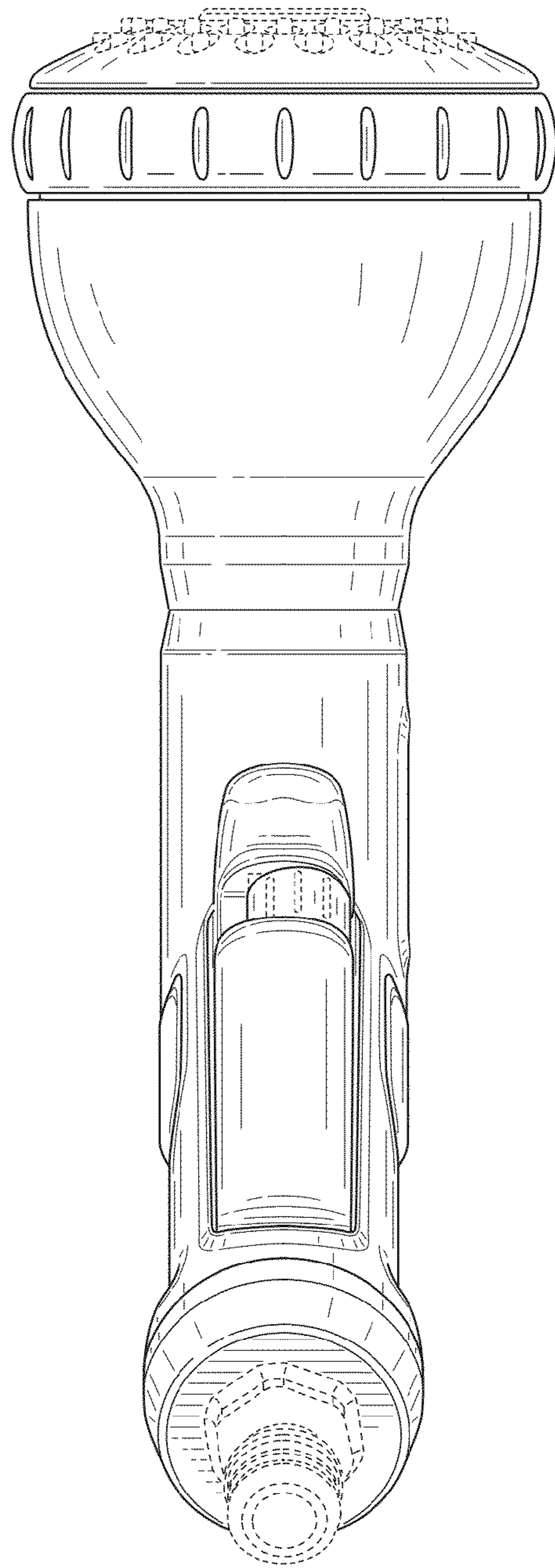


FIG. 7