



US00D746945S

(12) **United States Design Patent**  
**Näslund**

(10) **Patent No.:** **US D746,945 S**  
(45) **Date of Patent:** **\*\* Jan. 5, 2016**

(54) **CLEANING NOZZLE HANDLE**  
(71) Applicant: **Husqvarna AB**, Huskvarna (SE)  
(72) Inventor: **Jens Näslund**, Johanneshov (SE)  
(73) Assignee: **HUSQVARNA AB**, Huskarna (SE)

(\*\*) Term: **14 Years**

(21) Appl. No.: **29/500,491**

(22) Filed: **Aug. 26, 2014**

(30) **Foreign Application Priority Data**

Mar. 13, 2014 (EM) ..... 002424465-0020

(51) **LOC (10) Cl.** ..... **23-01**

(52) **U.S. Cl.**  
USPC ..... **D23/223; D23/226**

(58) **Field of Classification Search**  
USPC ..... D23/213, 223, 226; 239/525-6, 530,  
239/532  
CPC ..... B05B 9/01; B05B 12/002; B05B 7/02;  
B05B 7/025  
See application file for complete search history.

(56) **References Cited**

**U.S. PATENT DOCUMENTS**

D347,463 S \* 5/1994 Kingston et al. .... D23/223  
D468,802 S \* 1/2003 Nien ..... D23/226

D522,088 S \* 5/2006 Roman ..... D23/223  
D553,223 S \* 10/2007 Yu ..... D23/226  
D559,353 S \* 1/2008 Chih ..... D23/226  
D559,354 S \* 1/2008 Chih ..... D23/226  
D572,338 S \* 7/2008 Hung ..... D23/223  
D663,012 S \* 7/2012 Chen ..... D23/226  
D694,360 S \* 11/2013 Gaetano ..... D23/223

\* cited by examiner

*Primary Examiner* — Robin V Webster

(74) *Attorney, Agent, or Firm* — Nelson Mullins Riley & Scarborough LLP

(57) **CLAIM**

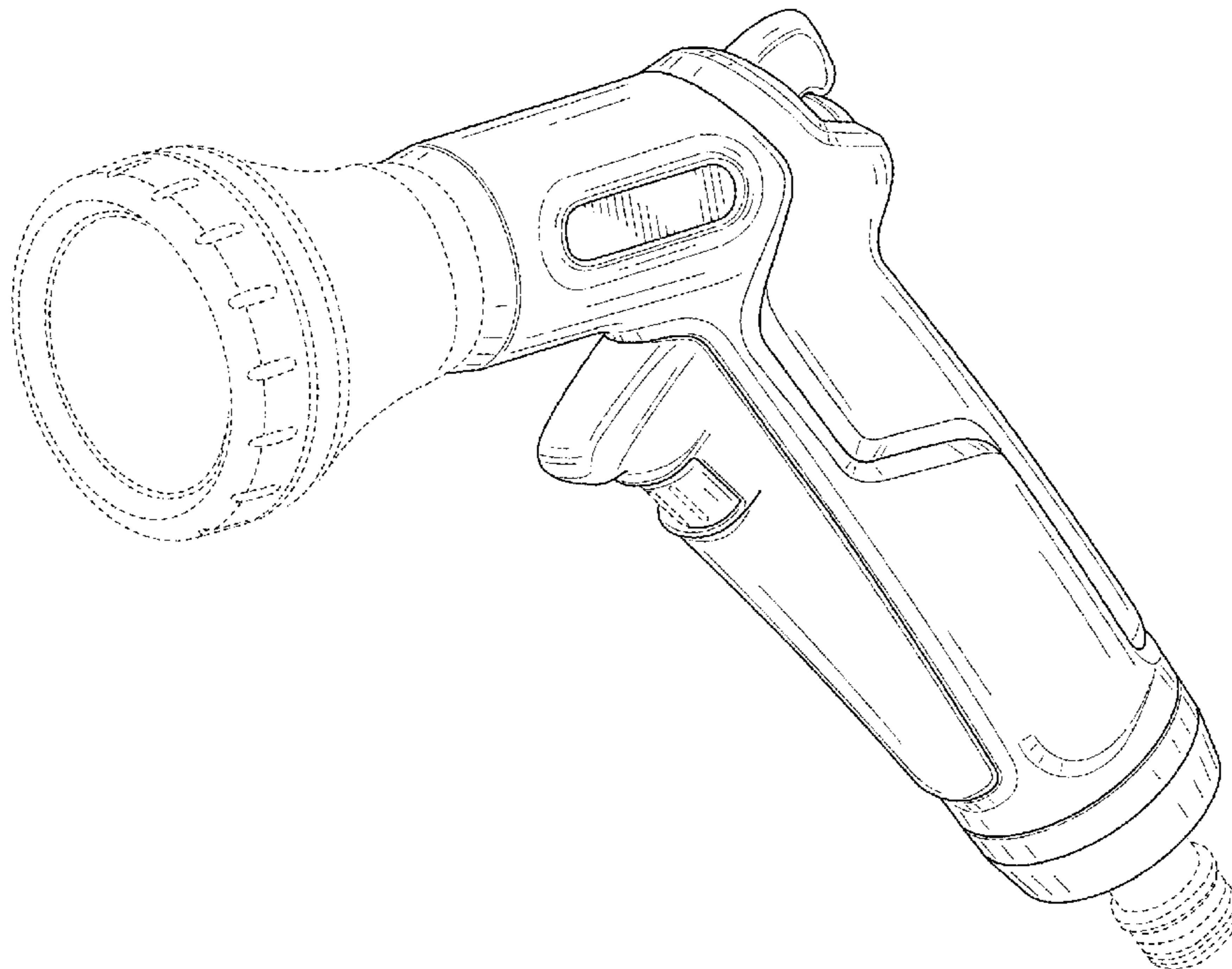
The ornamental design for a cleaning nozzle handle, as shown and described.

**DESCRIPTION**

FIG. 1 is a perspective view of a cleaning nozzle handle in accordance with an embodiment of the present invention; FIG. 2 is a front view of the cleaning nozzle handle of FIG. 1; FIG. 3 is a back view of the cleaning nozzle handle of FIG. 1; FIG. 4 is a left side view of the cleaning nozzle handle of FIG. 1; FIG. 5 is a right side view of the cleaning nozzle handle of FIG. 1; FIG. 6 is a top view of the cleaning nozzle handle of FIG. 1; and, FIG. 7 is a bottom view of the cleaning nozzle handle of FIG. 1.

The broken lines of FIGS. 1-7 are illustrative of the visible environmental structure of the cleaning nozzle handle and form no part of the claimed design.

**1 Claim, 5 Drawing Sheets**



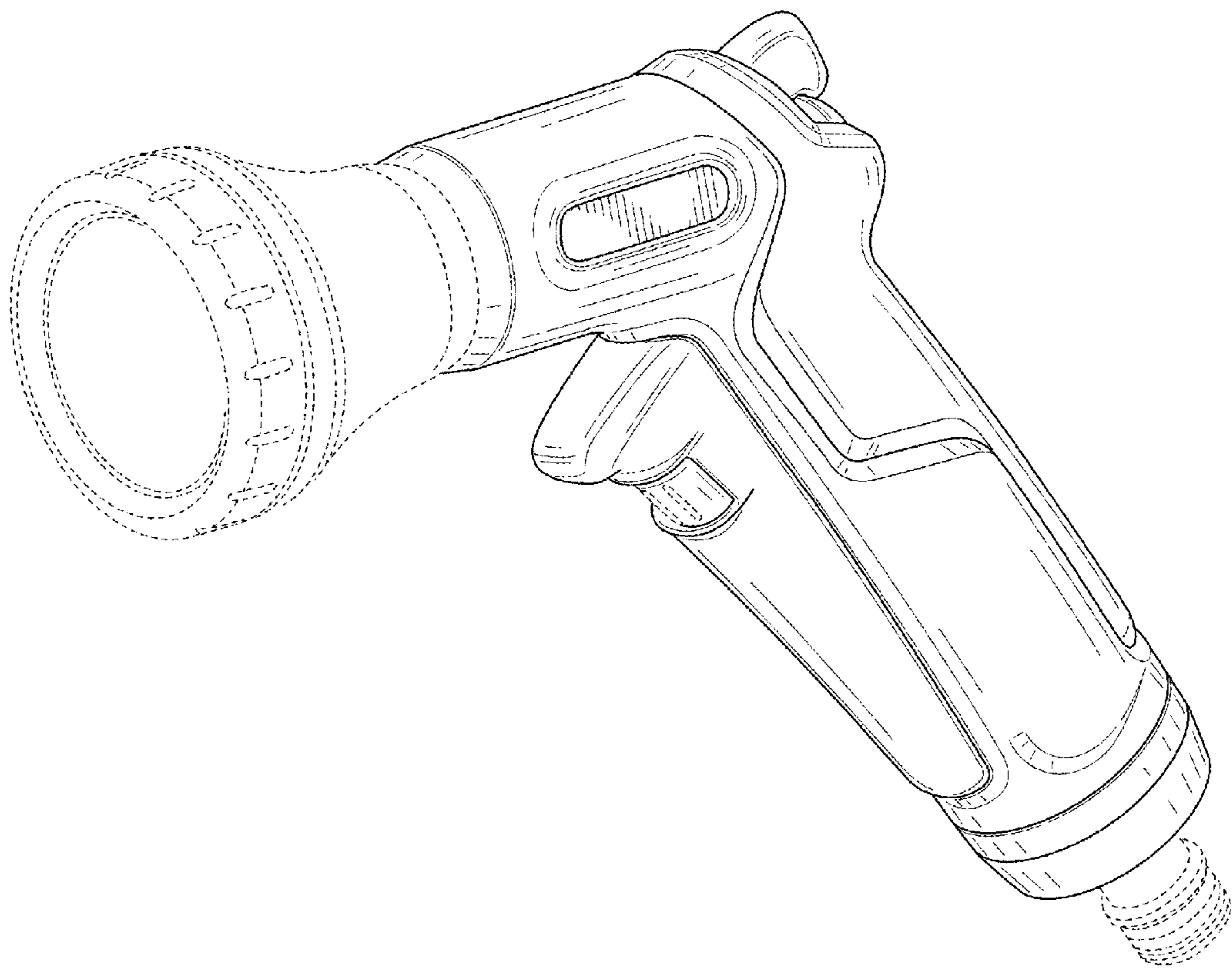


FIG. 1

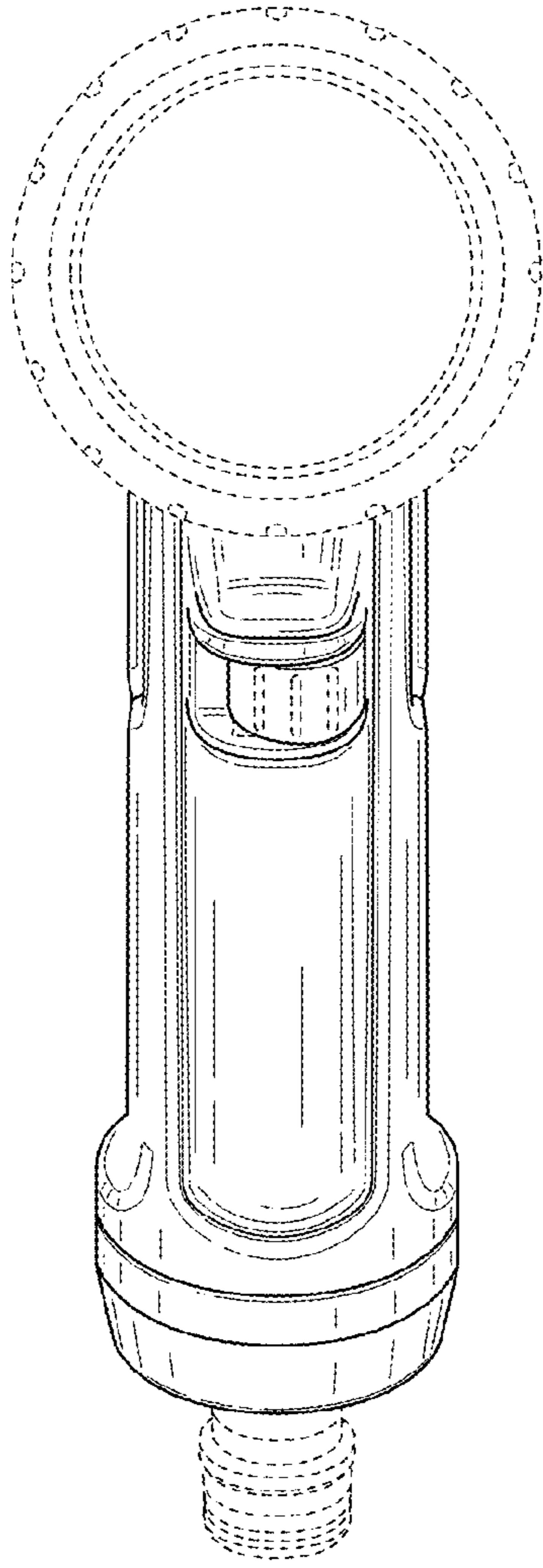


FIG. 2

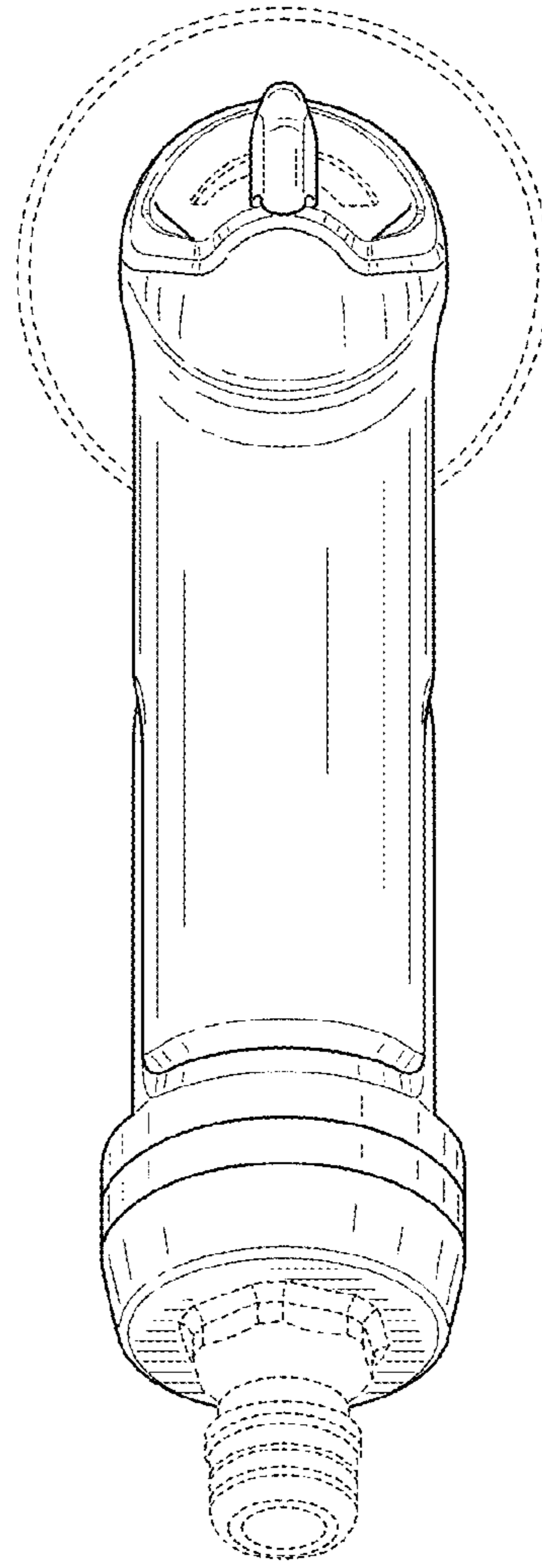


FIG. 3

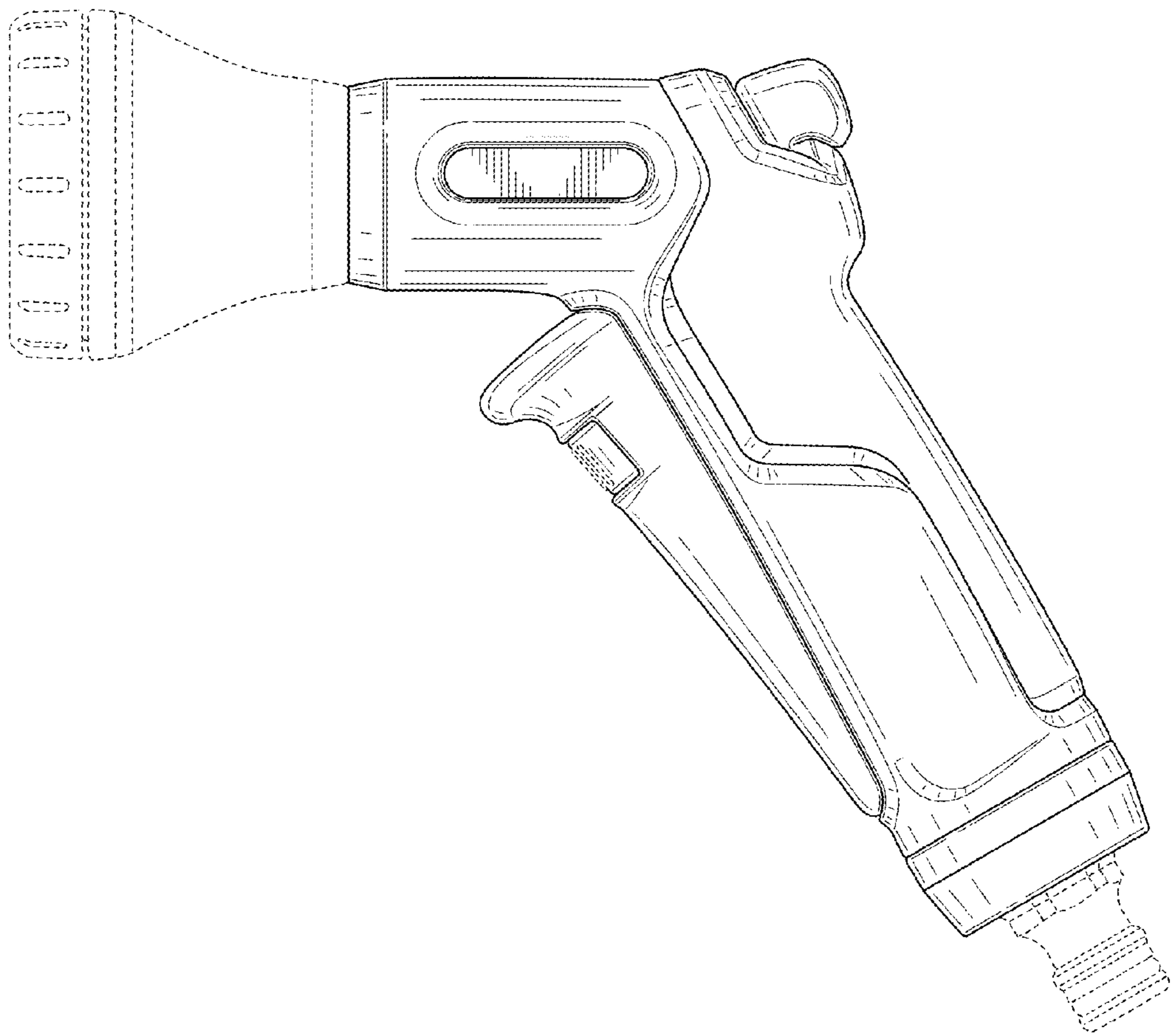


FIG. 4

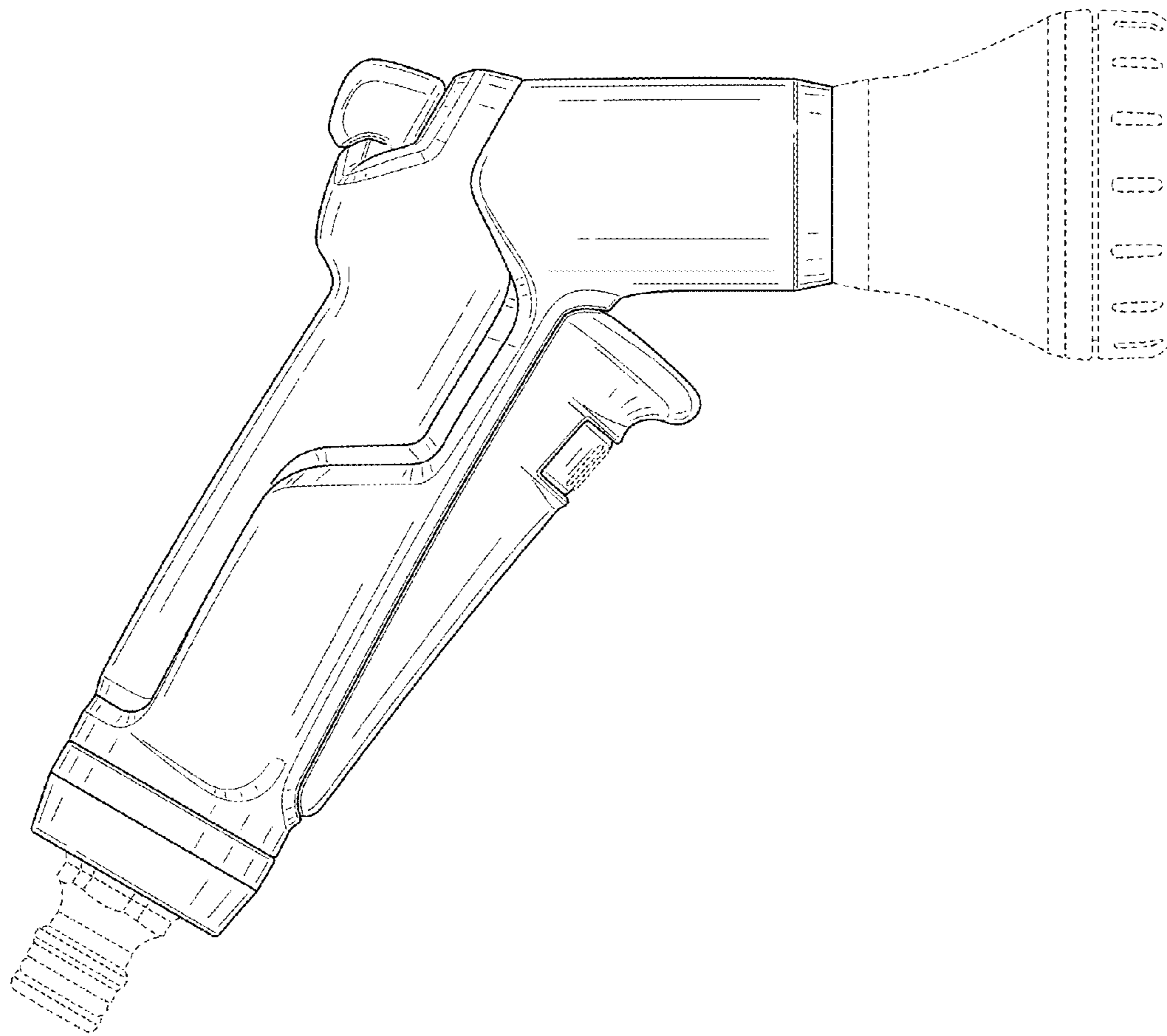


FIG. 5

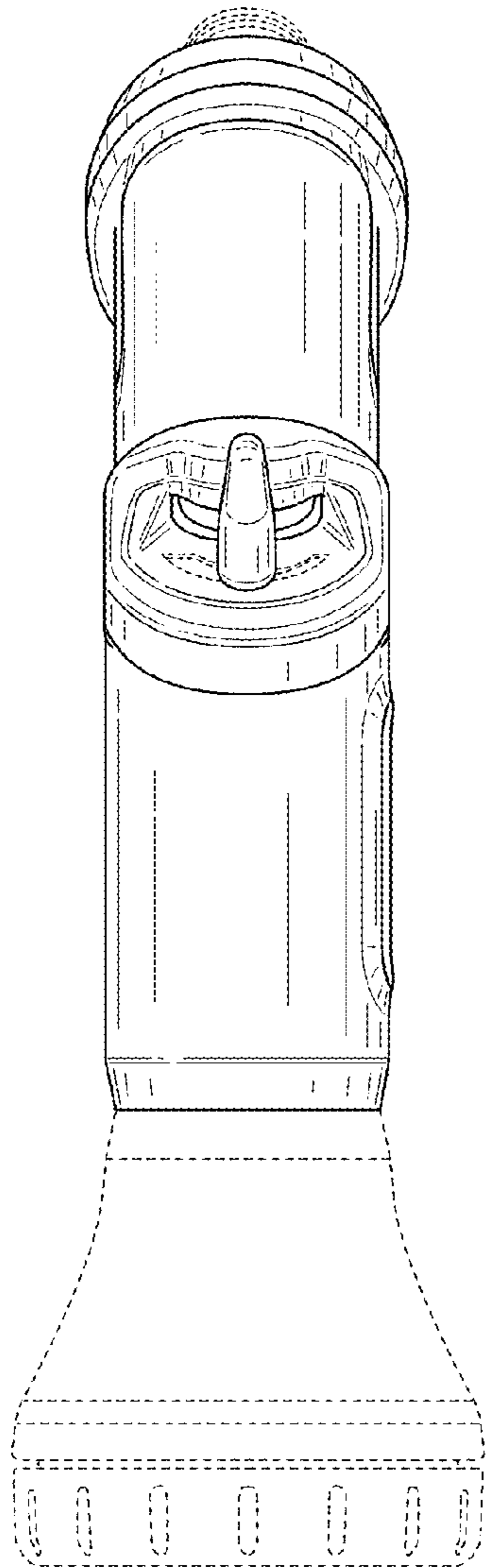


FIG. 6

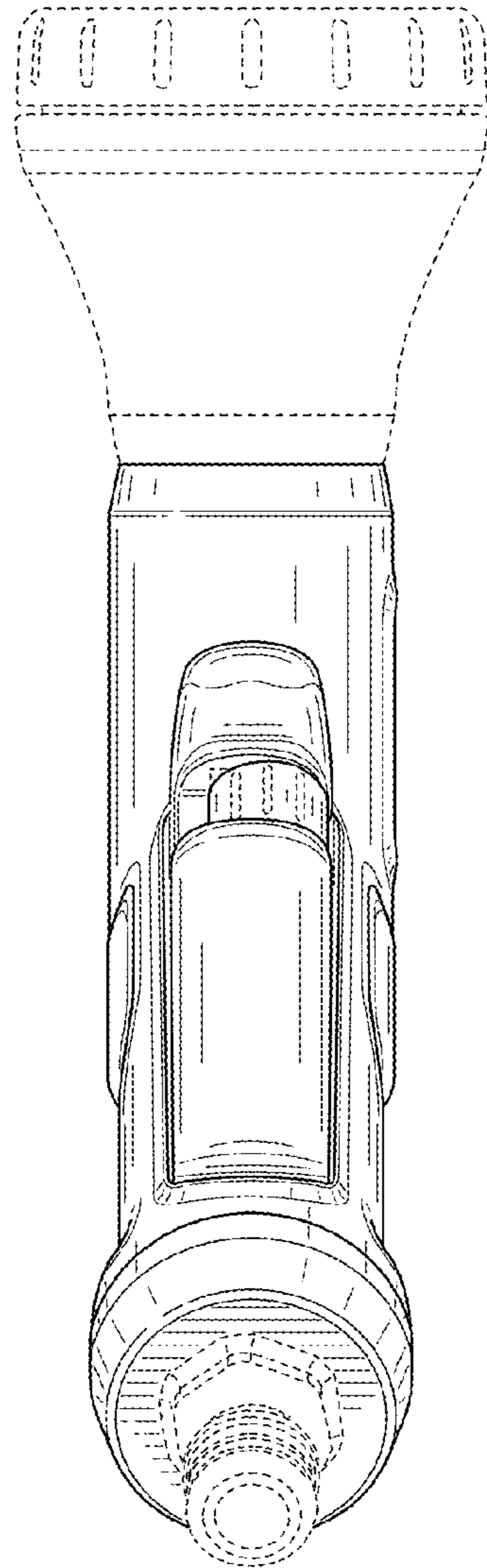


FIG. 7

UNITED STATES PATENT AND TRADEMARK OFFICE  
**CERTIFICATE OF CORRECTION**

PATENT NO. : D746,945 S  
APPLICATION NO. : 29/500491  
DATED : January 5, 2016  
INVENTOR(S) : Jens Näslund

Page 1 of 1

It is certified that error appears in the above-identified patent and that said Letters Patent is hereby corrected as shown below:

Title Page, Item (73) "Assignee: HUSQVARNA AB, Huskarna (SE)" should read -- Assignee:  
HUSQVARNA AB, Huskvarna (SE) --.

Signed and Sealed this  
Thirty-first Day of May, 2016



Michelle K. Lee  
*Director of the United States Patent and Trademark Office*