



US00D746938S

(12) **United States Design Patent**  
**Thomson et al.**

(10) **Patent No.:** **US D746,938 S**  
(45) **Date of Patent:** **\*\* Jan. 5, 2016**

- (54) **SHOOTING TARGET**
- (71) Applicant: **Azor Industries Pty Ltd**, Coniston, NSW (AU)
- (72) Inventors: **Anthony Thomson**, Coniston (AU); **Jeffrey Thompson**, Coniston (AU)
- (73) Assignee: **Azor Industries Pty Ltd**, Coniston, NSW (AU)
- (\*\*) Term: **14 Years**
- (21) Appl. No.: **29/493,695**
- (22) Filed: **Jun. 12, 2014**
- (51) **LOC (10) Cl.** ..... **22-04**
- (52) **U.S. Cl.**  
USPC ..... **D22/113**
- (58) **Field of Classification Search**  
USPC ..... D22/113, 119; 463/52-56; 273/331, 273/348, 407, 127 R, 190; D20/41  
CPC ..... F41J 9/00; F41J 9/02; F41J 9/04; F41J 9/06; F41J 9/08; F41J 9/10; F41J 9/14; F41J 9/16; F41J 5/18; F41J 5/20; F41J 5/205; F41J 5/22; F41J 1/00; F41J 1/01; F41J 1/08; F41J 1/10  
See application file for complete search history.

D641,793	S	*	7/2011	Dumontier	.....	D20/41
D656,214	S	*	3/2012	Howland	.....	D22/108
D662,992	S	*	7/2012	Hernandez	.....	D20/41
D668,443	S	*	10/2012	Sims, II	.....	D3/5
D712,003	S	*	8/2014	Bailey	.....	D22/113
D723,623	S	*	3/2015	Smith	.....	D20/41
2008/0054570	A1	*	3/2008	Potterfield et al.	.....	273/403
2011/0042901	A1	*	2/2011	Raymond	.....	273/407
2011/0062668	A1	*	3/2011	Leimberer	.....	273/407
2013/0106059	A1	*	5/2013	Larue	.....	273/407
2013/0119610	A1	*	5/2013	Legary et al.	.....	273/348
2015/0069709	A1	*	3/2015	Doria	.....	273/407

\* cited by examiner

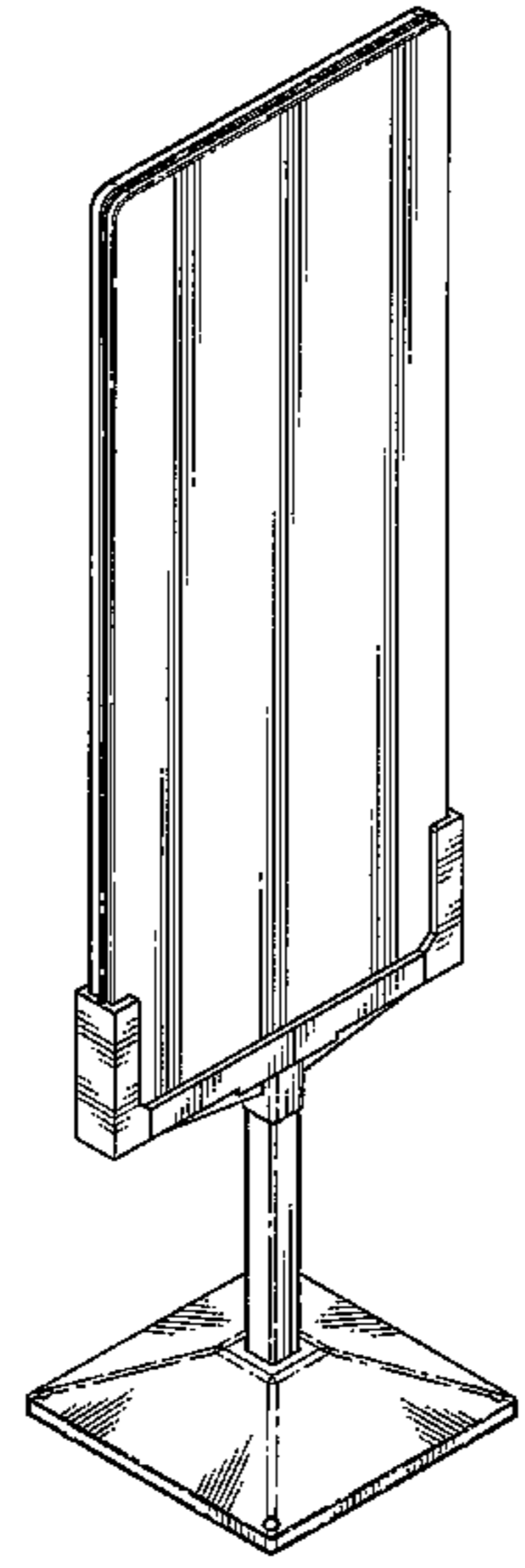
*Primary Examiner* — Michael A Pratt  
(74) *Attorney, Agent, or Firm* — Kilpatrick Townsend & Stockton LLP

(57) **CLAIM**  
The ornamental design for the shooting target, as shown and described.

**DESCRIPTION**  
FIG. 1 is a front perspective view of a first embodiment the shooting target;  
FIG. 2 is a front view;  
FIG. 3 is a rear view;  
FIG. 4 is a left side view;  
FIG. 5 is right side view;  
FIG. 6 is a top view;  
FIG. 7 is a bottom view;  
FIG. 8 is a front perspective view of a second embodiment of the shooting target.  
FIG. 9 is a front view;  
FIG. 10 is a rear view;  
FIG. 11 is a left side view;  
FIG. 12 is a right side view;  
FIG. 13 is a top view; and,  
FIG. 14 is a bottom view.

- (56) **References Cited**  
U.S. PATENT DOCUMENTS
- 2,538,118 A \* 1/1951 Miller ..... 273/407
- 2,708,817 A \* 5/1955 Hauswirth ..... 172/713
- 3,602,504 A \* 8/1971 Chapman et al. .... 473/416
- 4,323,251 A \* 4/1982 Loveland et al. .... 273/407
- D379,399 S \* 5/1997 Reinaker ..... D22/113
- D424,652 S \* 5/2000 Minneman ..... D22/113
- D589,565 S \* 3/2009 Maschino ..... D20/41
- D598,053 S \* 8/2009 Sanchez ..... D20/19
- 7,845,646 B1 \* 12/2010 Weber ..... 273/407

**1 Claim, 11 Drawing Sheets**



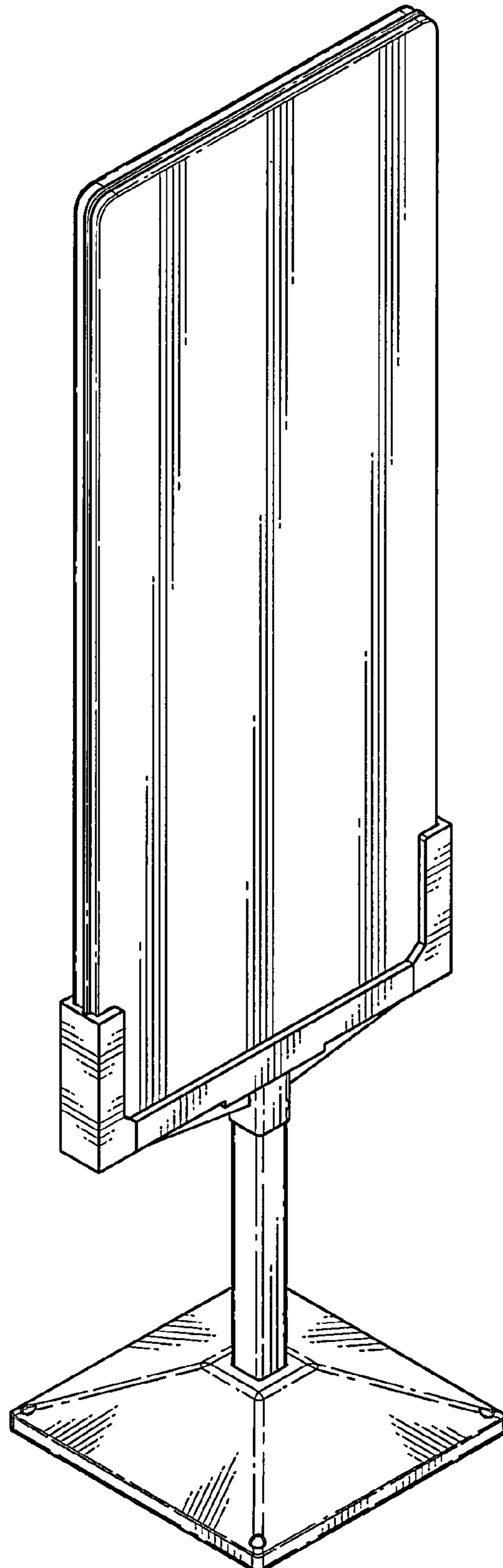


FIG. 1

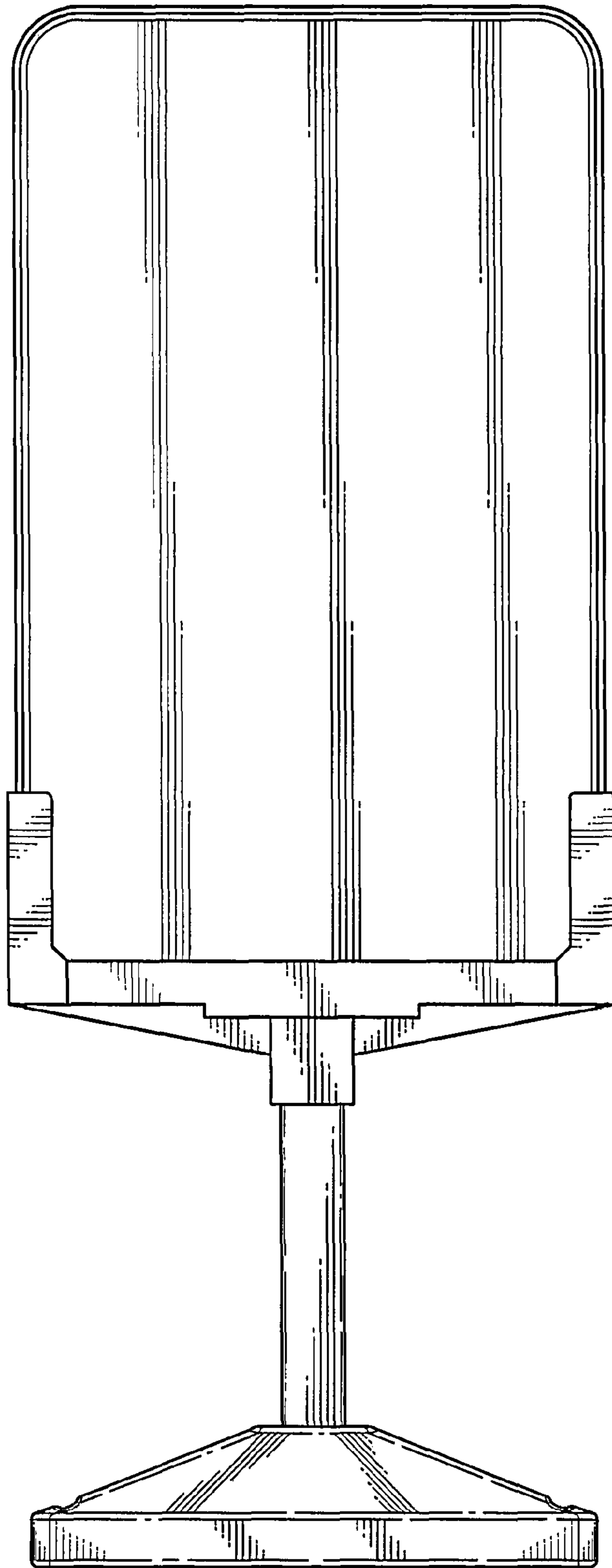


FIG. 2

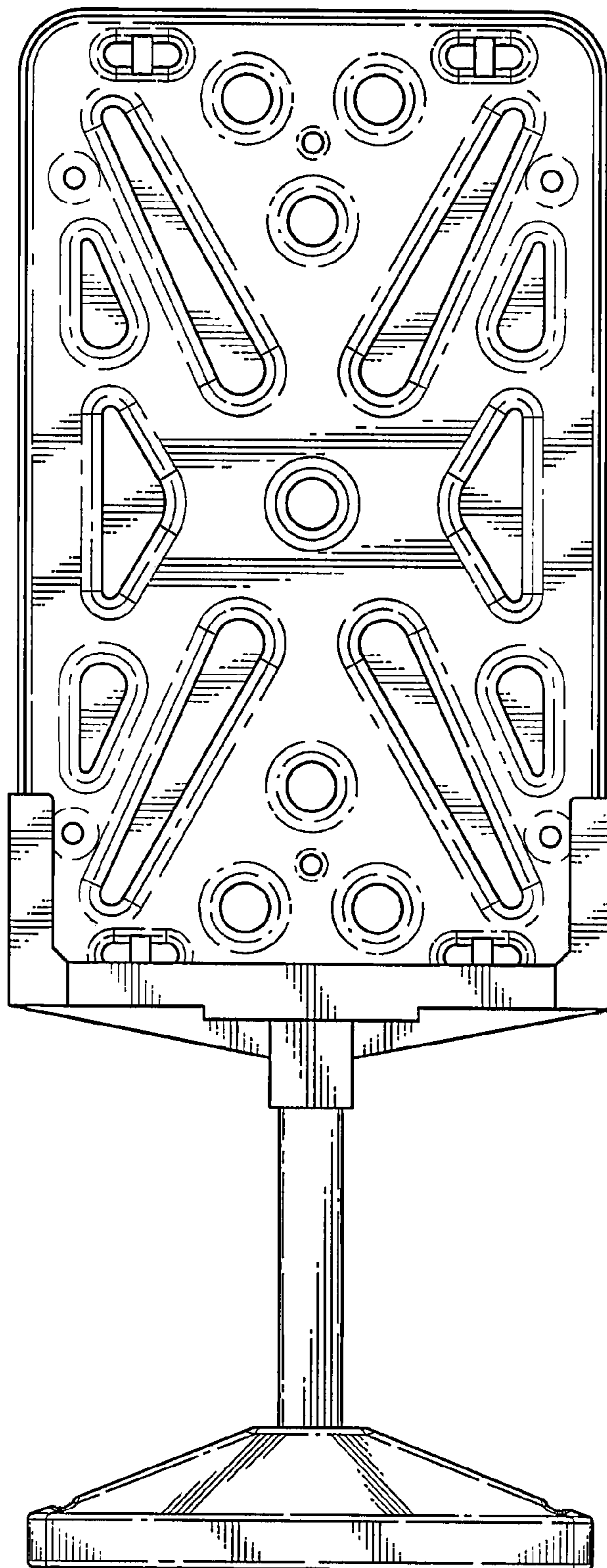


FIG. 3

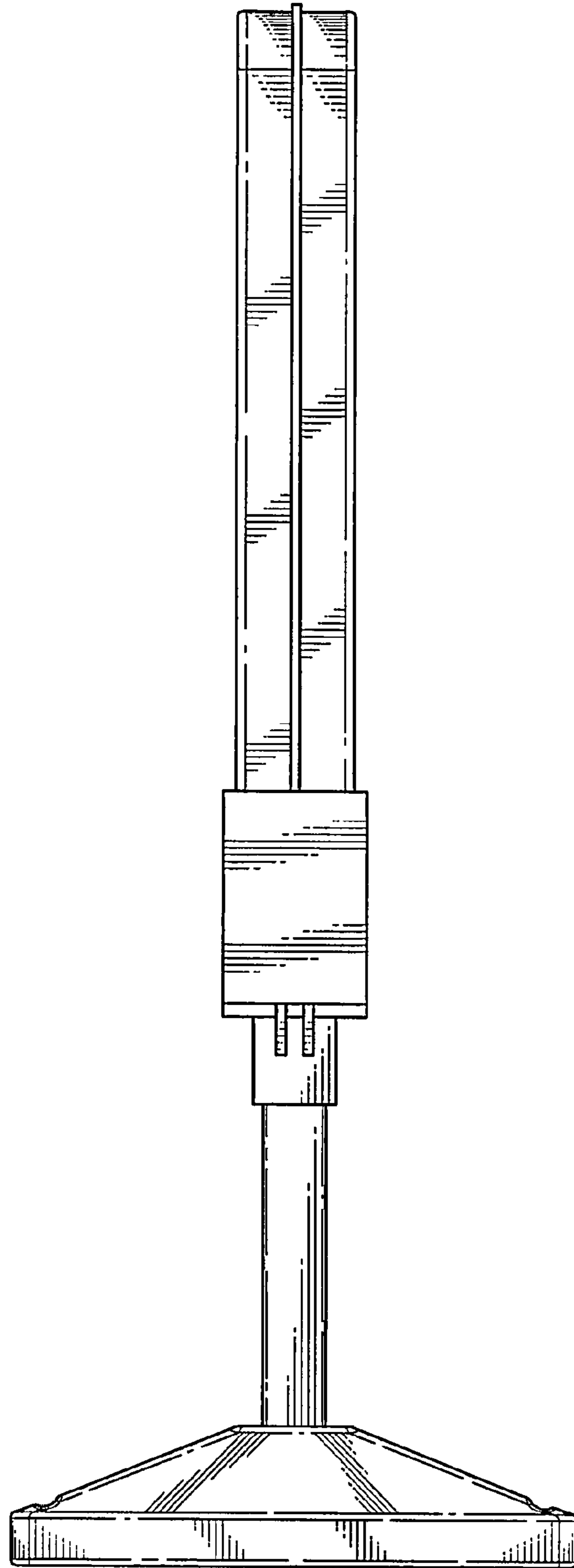


FIG. 4

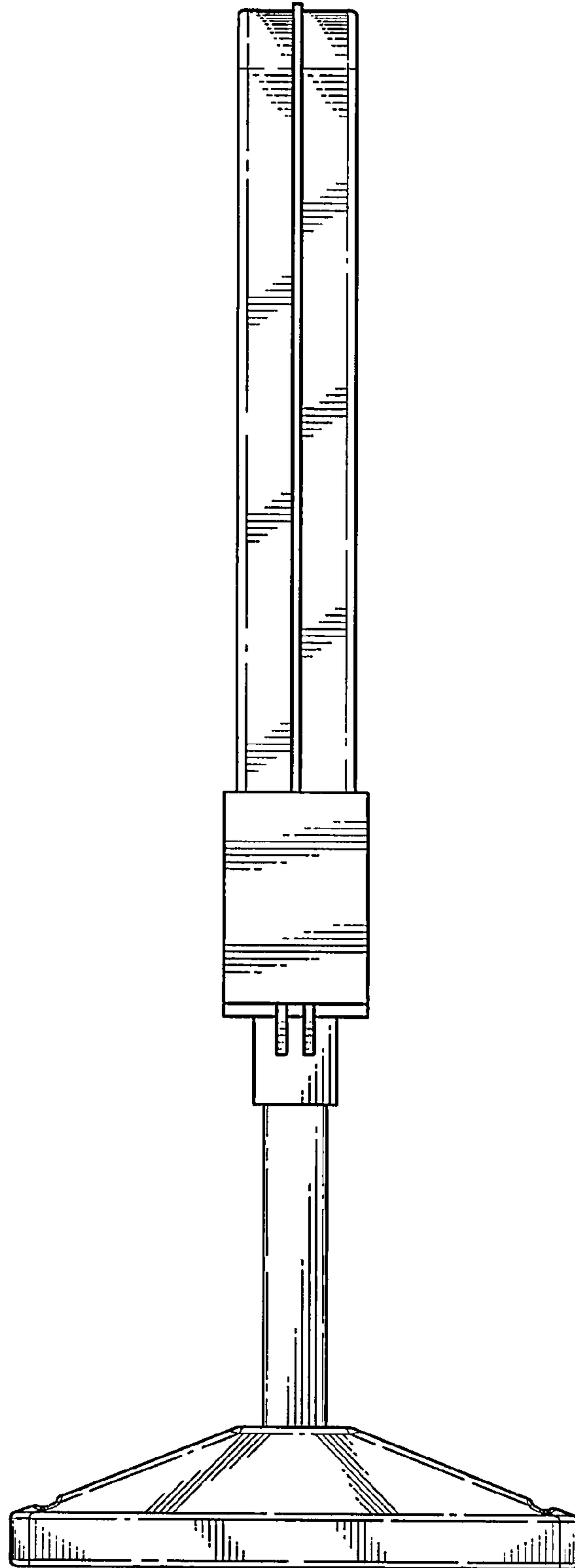


FIG. 5



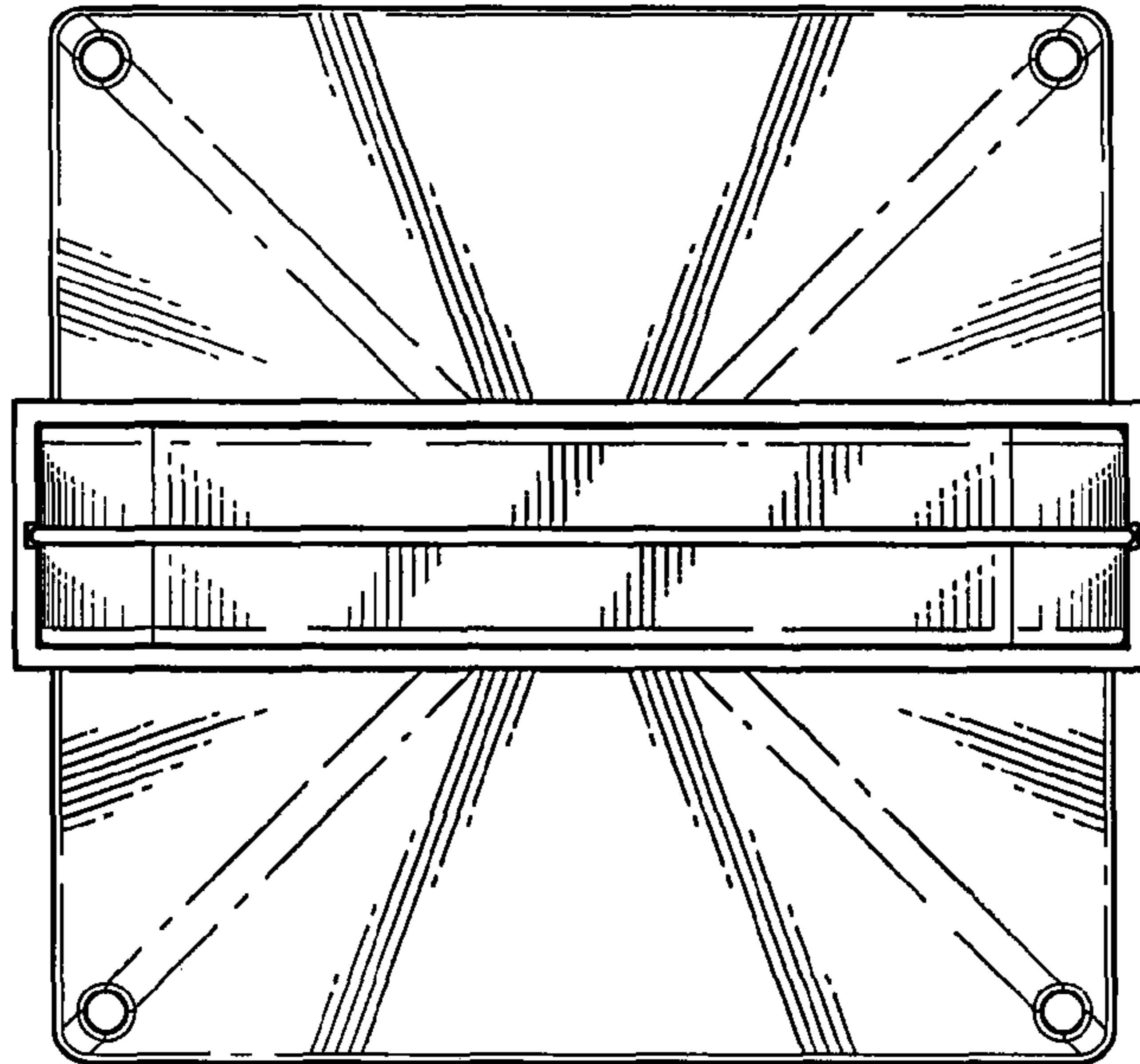


FIG. 6

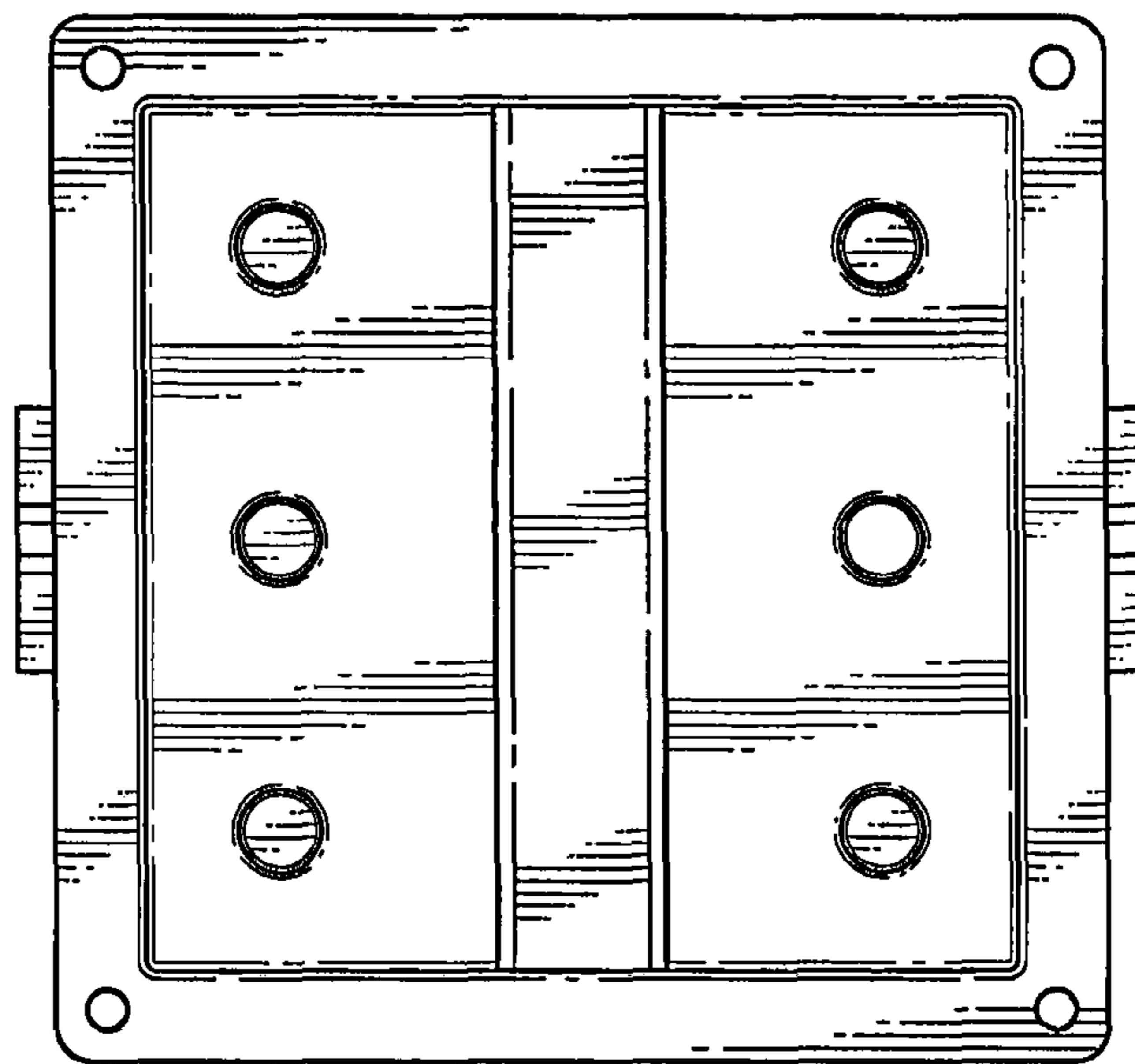


FIG. 7

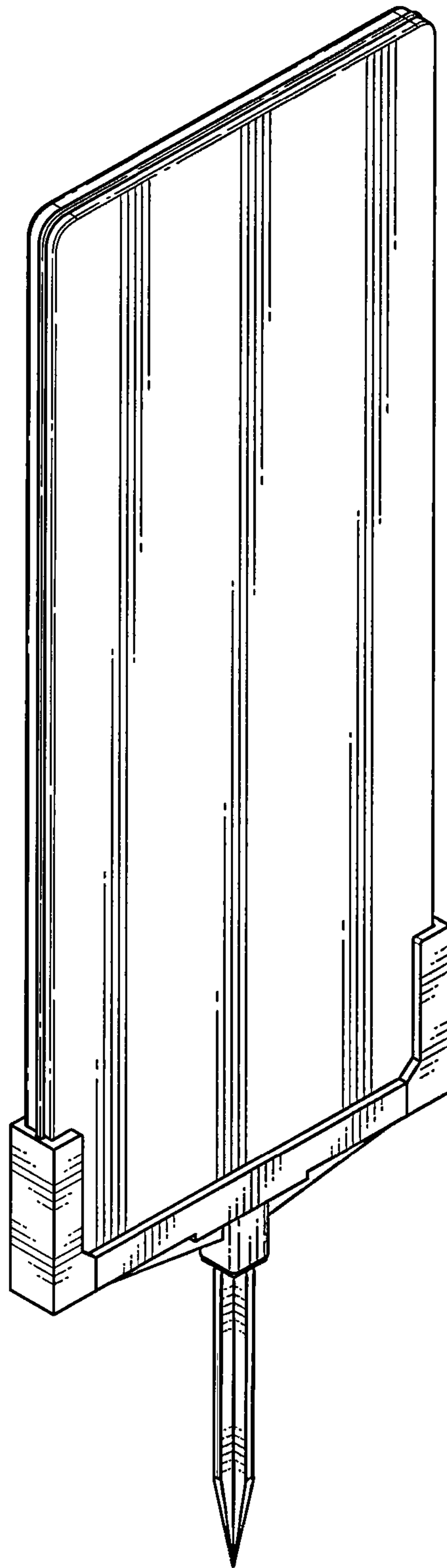


FIG. 8



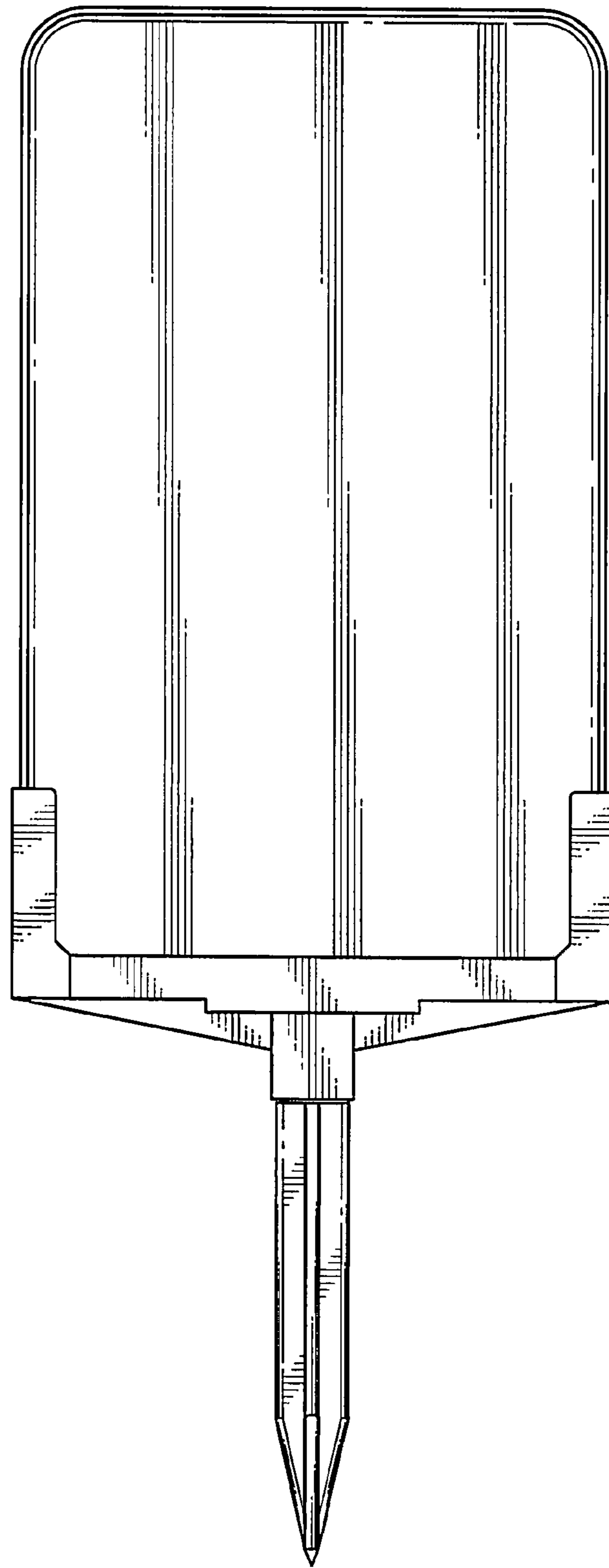


FIG. 9

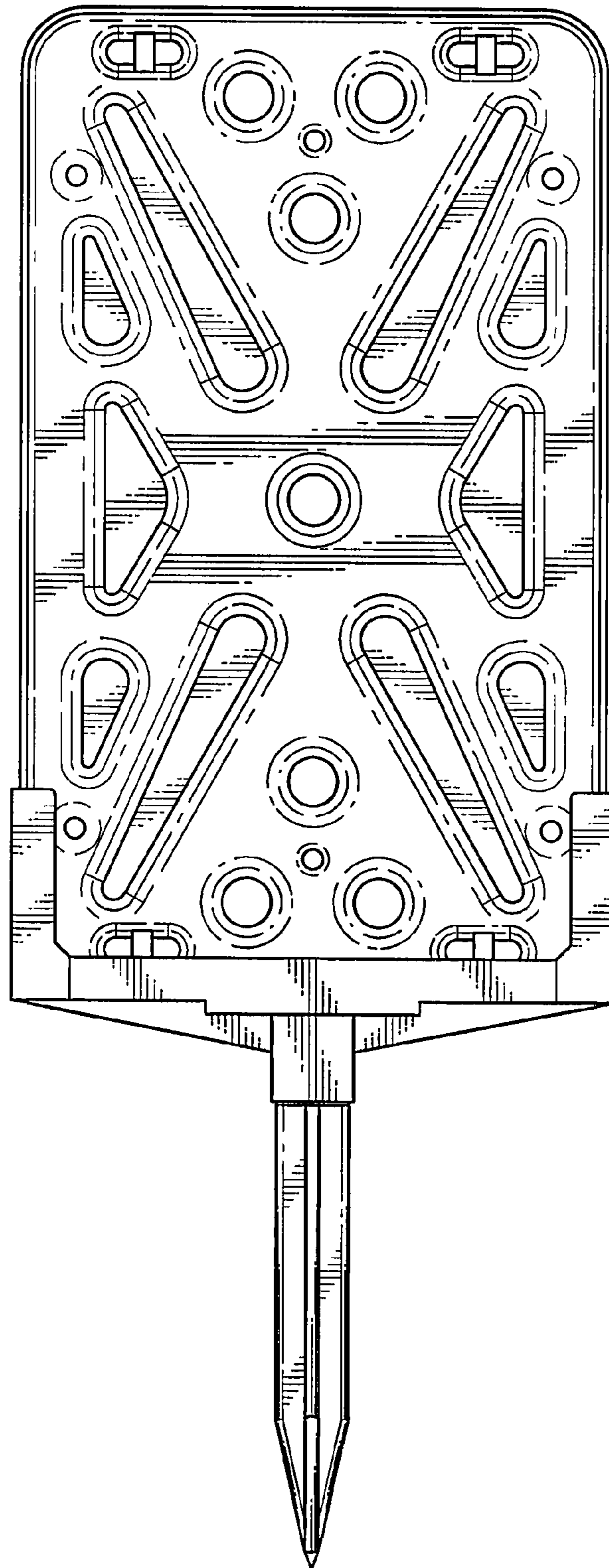


FIG. 10

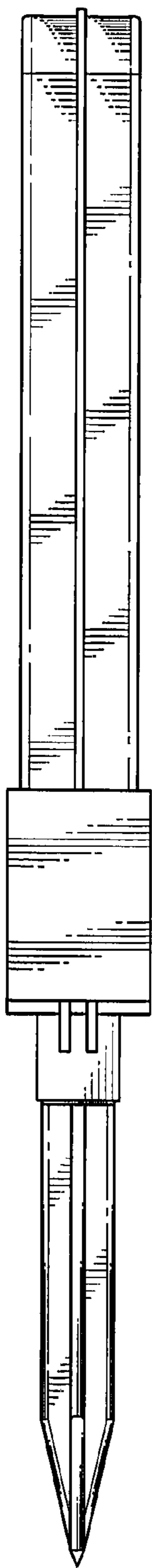


FIG. 11

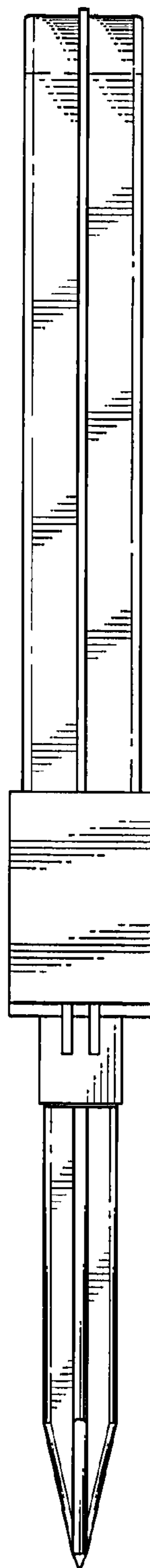


FIG. 12

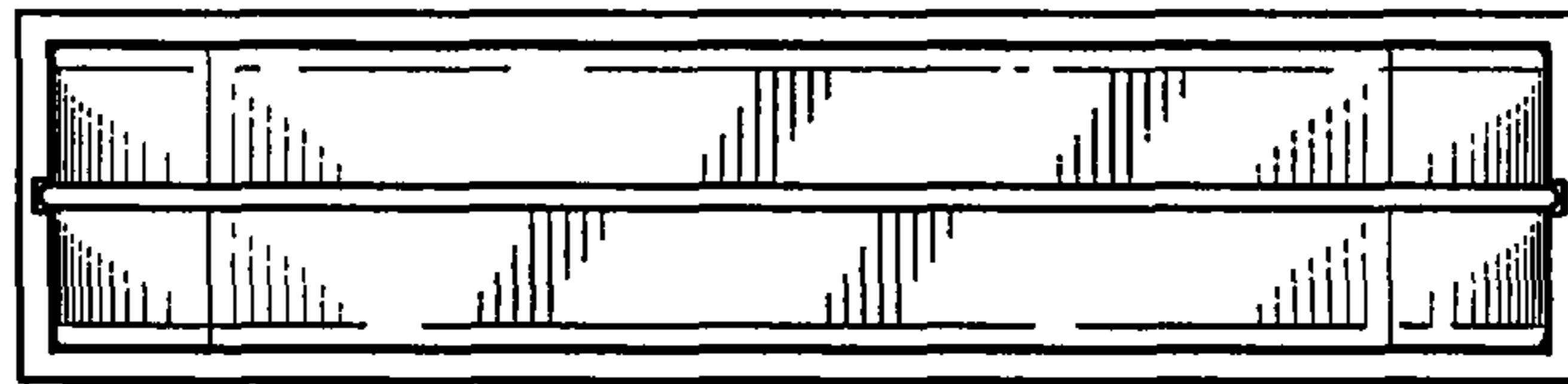


FIG. 13

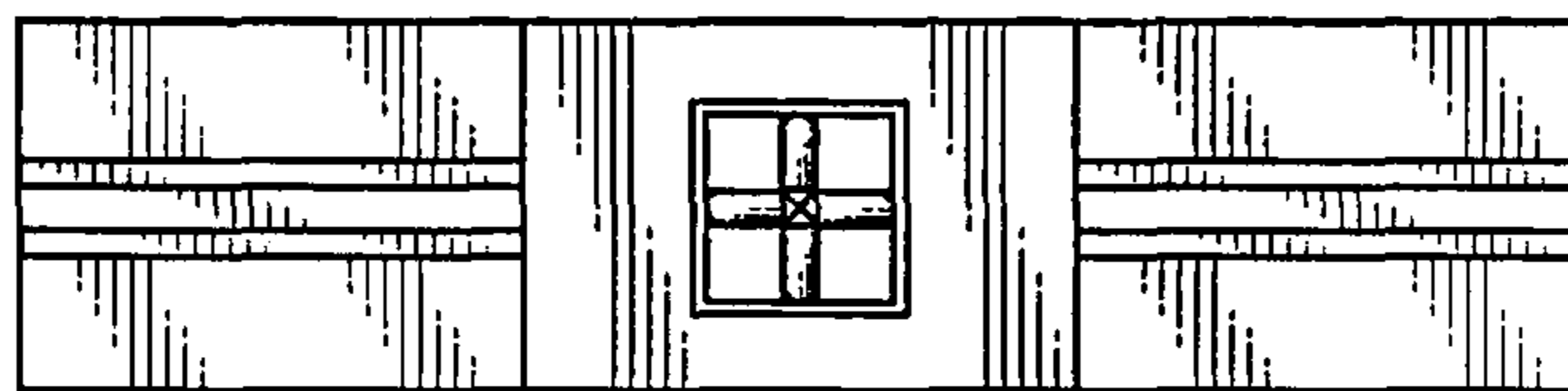


FIG. 14