



US00D746936S

(12) **United States Design Patent**  
**Huang**

(10) **Patent No.:** **US D746,936 S**  
(45) **Date of Patent:** **\*\* Jan. 5, 2016**

- (54) **LIGHTWEIGHT LOWER RECEIVER**
- (71) Applicant: **George Huang**, Henderson, NV (US)
- (72) Inventor: **George Huang**, Henderson, NV (US)
- (\*\*) Term: **14 Years**
- (21) Appl. No.: **29/494,291**
- (22) Filed: **Jun. 19, 2014**
- (51) **LOC (10) Cl.** ..... **22-01**
- (52) **U.S. Cl.**  
USPC ..... **D22/108**
- (58) **Field of Classification Search**  
USPC ..... D22/103, 108; D21/572-575; 42/51,  
42/71.01, 75.01, 75.02, 90, 94, 134, 136,  
42/139, 125, 72, 111; 89/40.06, 41.19,  
89/37.04, 33.04, 191.01, 200-204;  
124/67, 66, 72, 74  
CPC ..... F41C 7/00; F41C 7/11; F41C 7/12  
See application file for complete search history.

2015/0101230 A1\* 4/2015 Curtis ..... 42/75.01  
 2015/0153125 A1\* 6/2015 Lutton et al. .... 42/69.01  
 2015/0176944 A1\* 6/2015 Kupanoff ..... 42/73  
 2015/0198394 A1\* 7/2015 Hochstrate et al. .... 42/17

\* cited by examiner

*Primary Examiner* — Michael A Pratt  
(74) *Attorney, Agent, or Firm* — Shaddock Law Group, PC

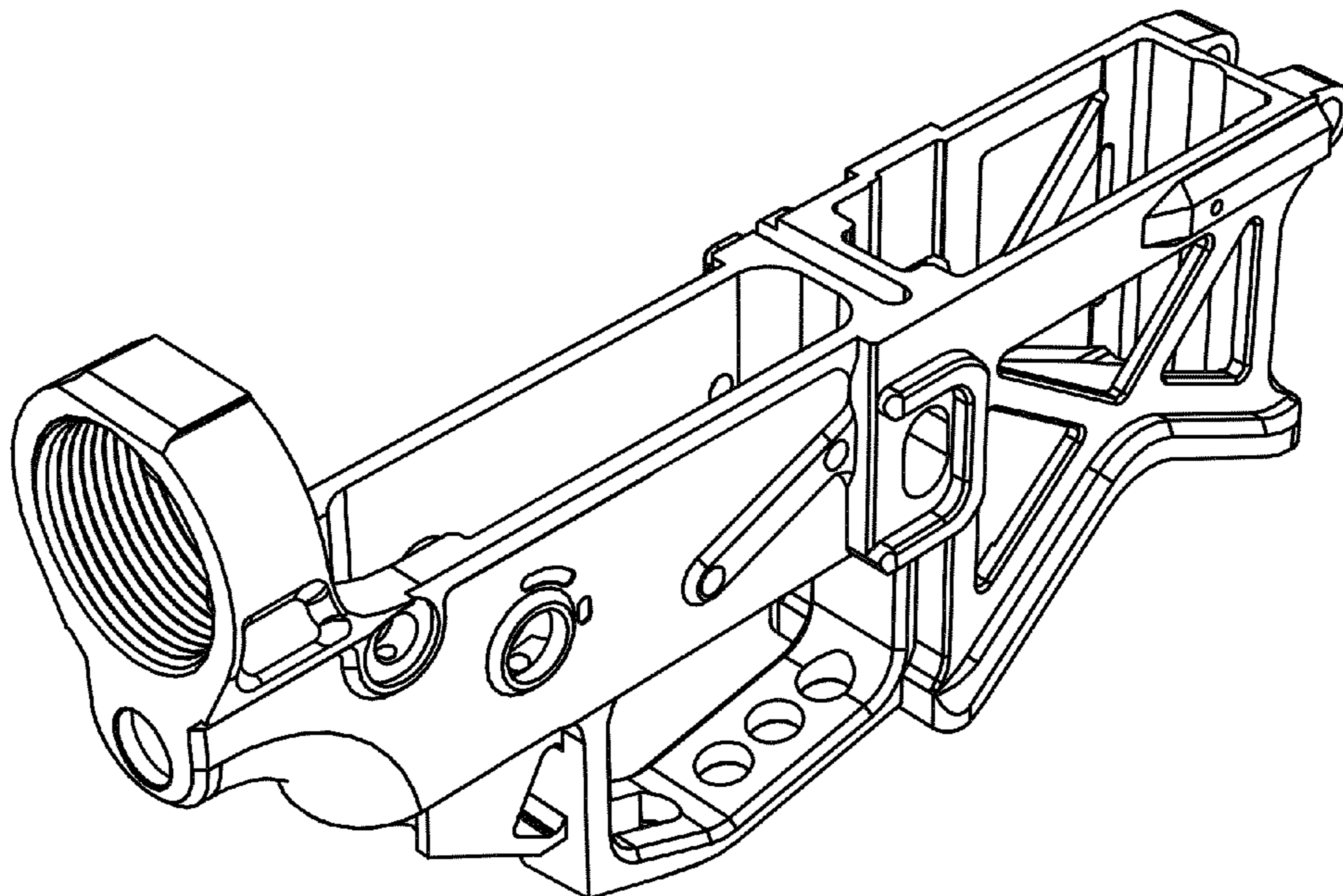
(57) **CLAIM**  
The ornamental design for a lightweight lower receiver, as shown and described.

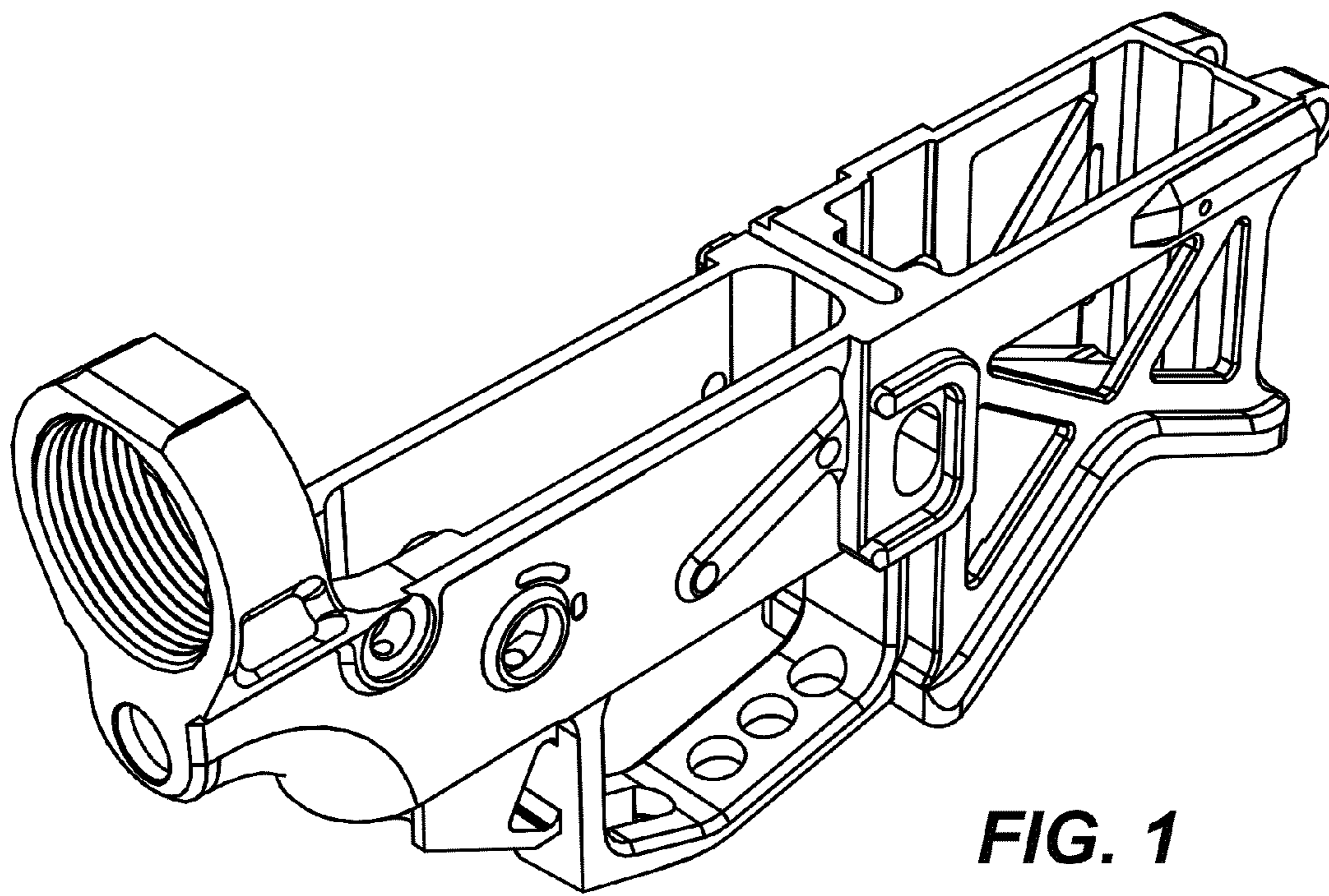
**DESCRIPTION**

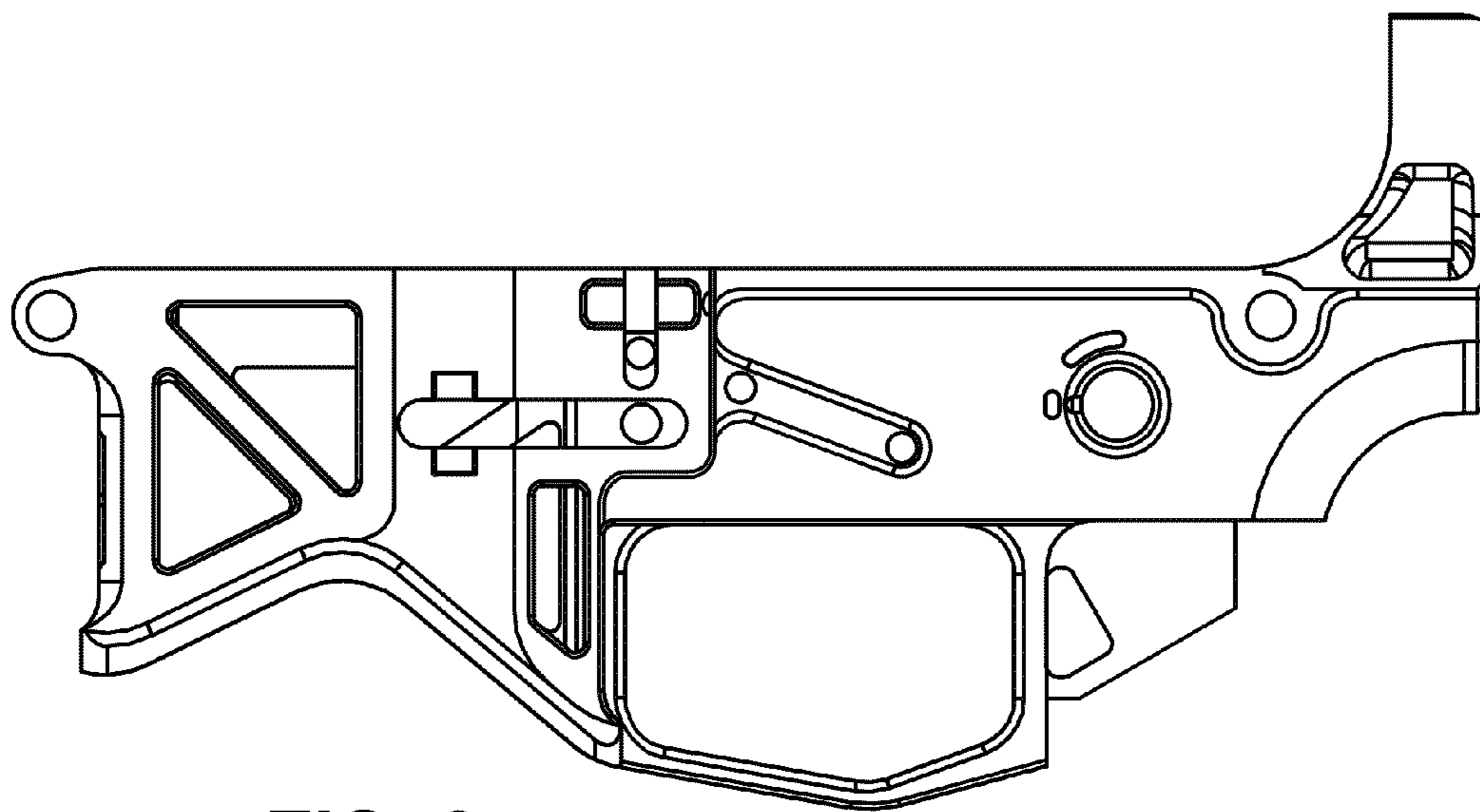
FIG. 1 is an upper, rear perspective view of a first exemplary embodiment of the lightweight lower receiver, showing my new design;  
 FIG. 2 is a right side view thereof;  
 FIG. 3 is a left side view thereof;  
 FIG. 4 is a top view thereof;  
 FIG. 5 is a bottom view thereof;  
 FIG. 6 is a front view thereof;  
 FIG. 7 is a rear view thereof;  
 FIG. 8 is a right, rear perspective view thereof;  
 FIG. 9 is a left, rear perspective view thereof;  
 FIG. 10 is a right, front perspective view thereof;  
 FIG. 11 is a left, front perspective view thereof;  
 FIG. 12 is a left, front, bottom perspective view thereof; and,  
 FIG. 13 is a right, front, bottom perspective view thereof.

- (56) **References Cited**  
U.S. PATENT DOCUMENTS
- 8,789,305 B1\* 7/2014 DiChario ..... 42/75.03
- D713,485 S \* 9/2014 Firpo et al. .... D22/108
- D729,893 S \* 5/2015 Foster ..... D22/103
- 2013/0227869 A1\* 9/2013 Thordsen ..... 42/6
- 2014/0075815 A1\* 3/2014 Jarboe ..... 42/73
- 2014/0237878 A1\* 8/2014 Lambert ..... 42/75.01
- 2014/0305019 A1\* 10/2014 King, Jr. .... 42/71.01
- 2014/0331535 A1\* 11/2014 Robinson et al. .... 42/6
- 2015/0000171 A1\* 1/2015 Roberts ..... 42/75.03

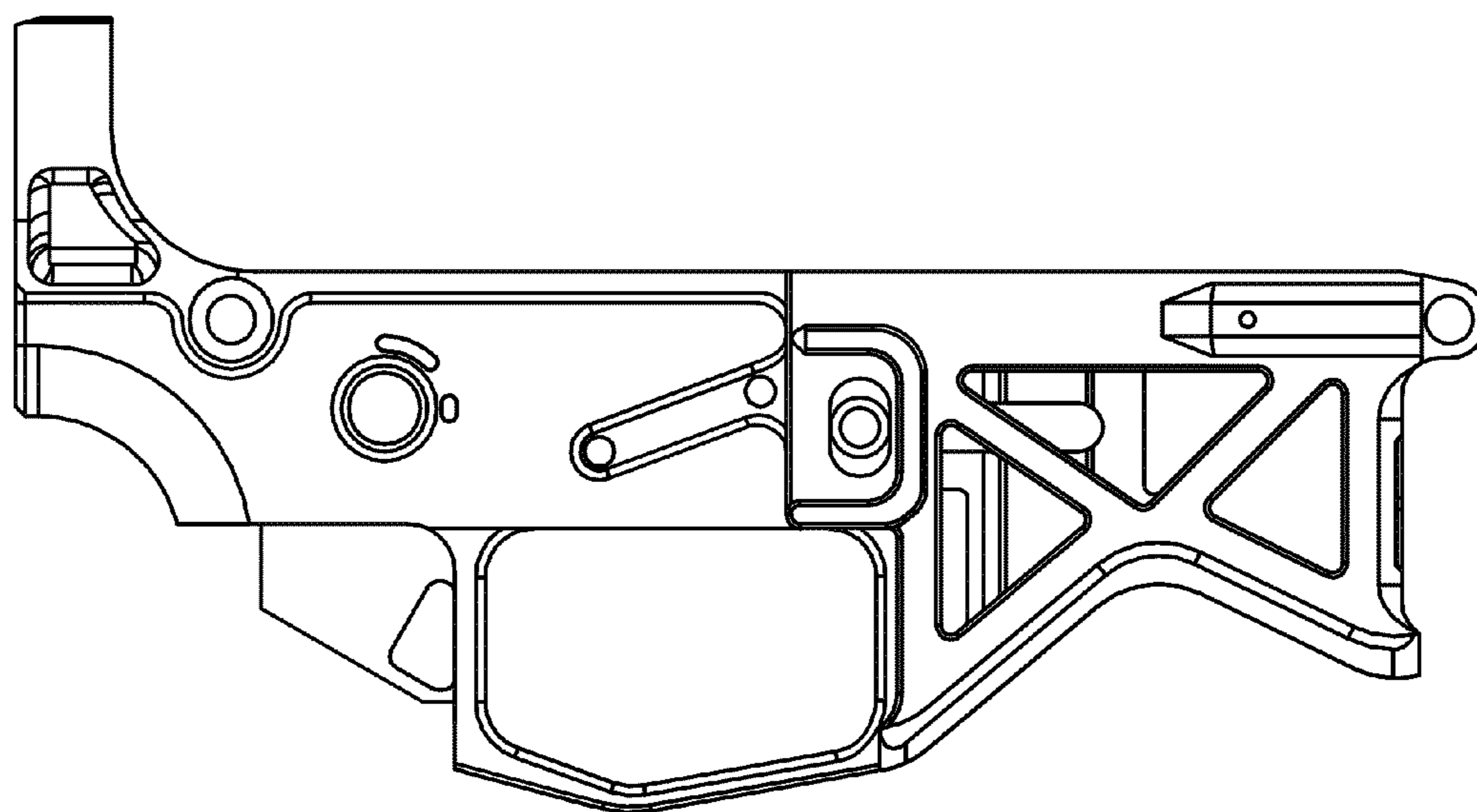
**1 Claim, 7 Drawing Sheets**



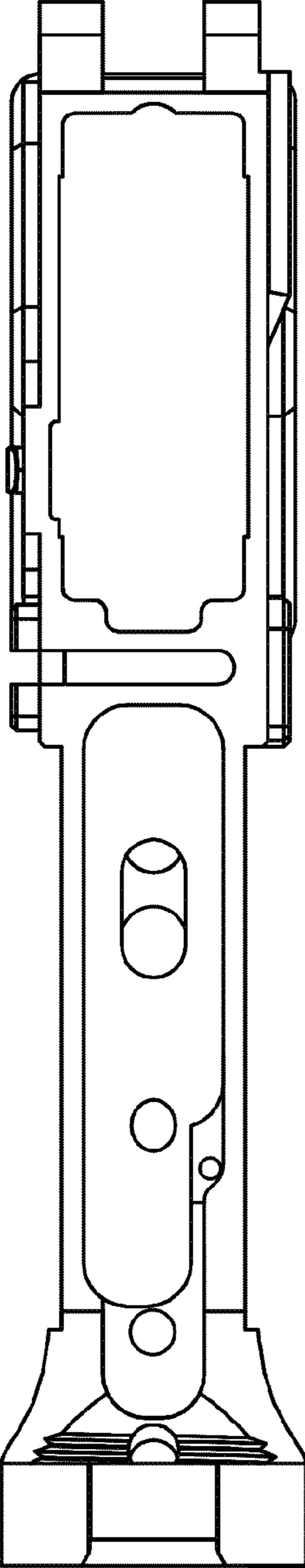




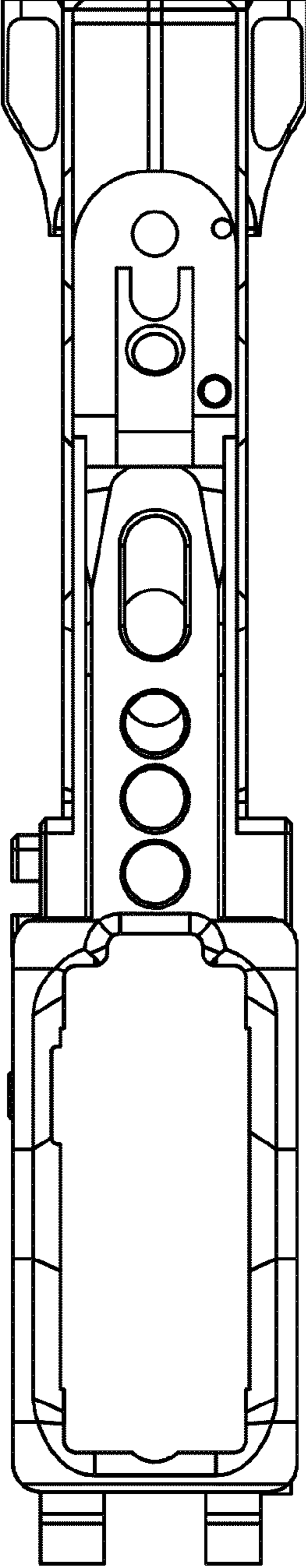
**FIG. 2**



**FIG. 3**

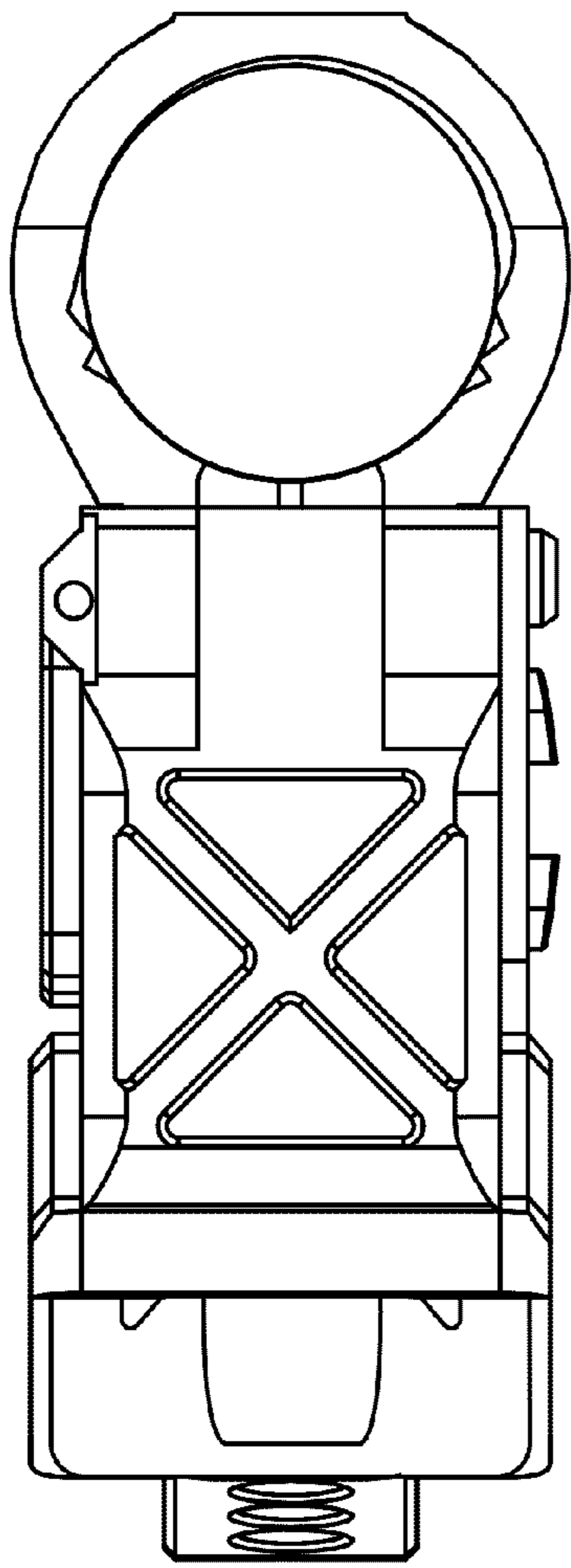


**FIG. 4**

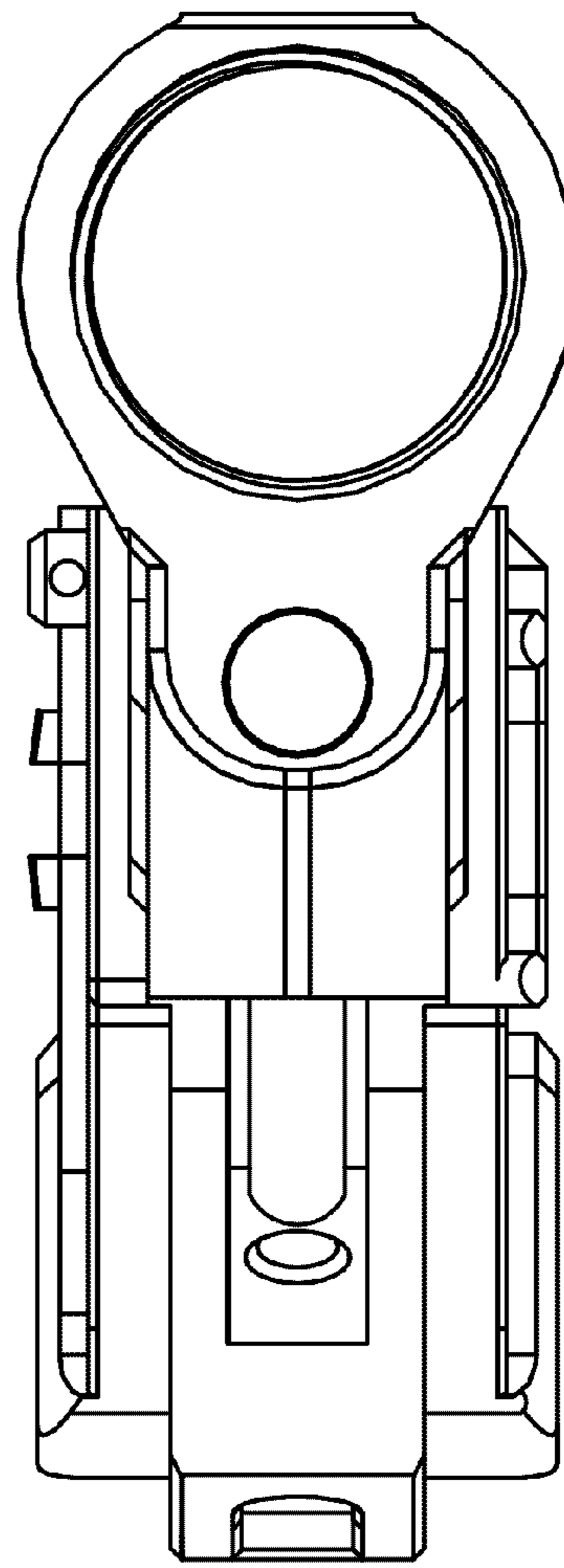


**FIG. 5**



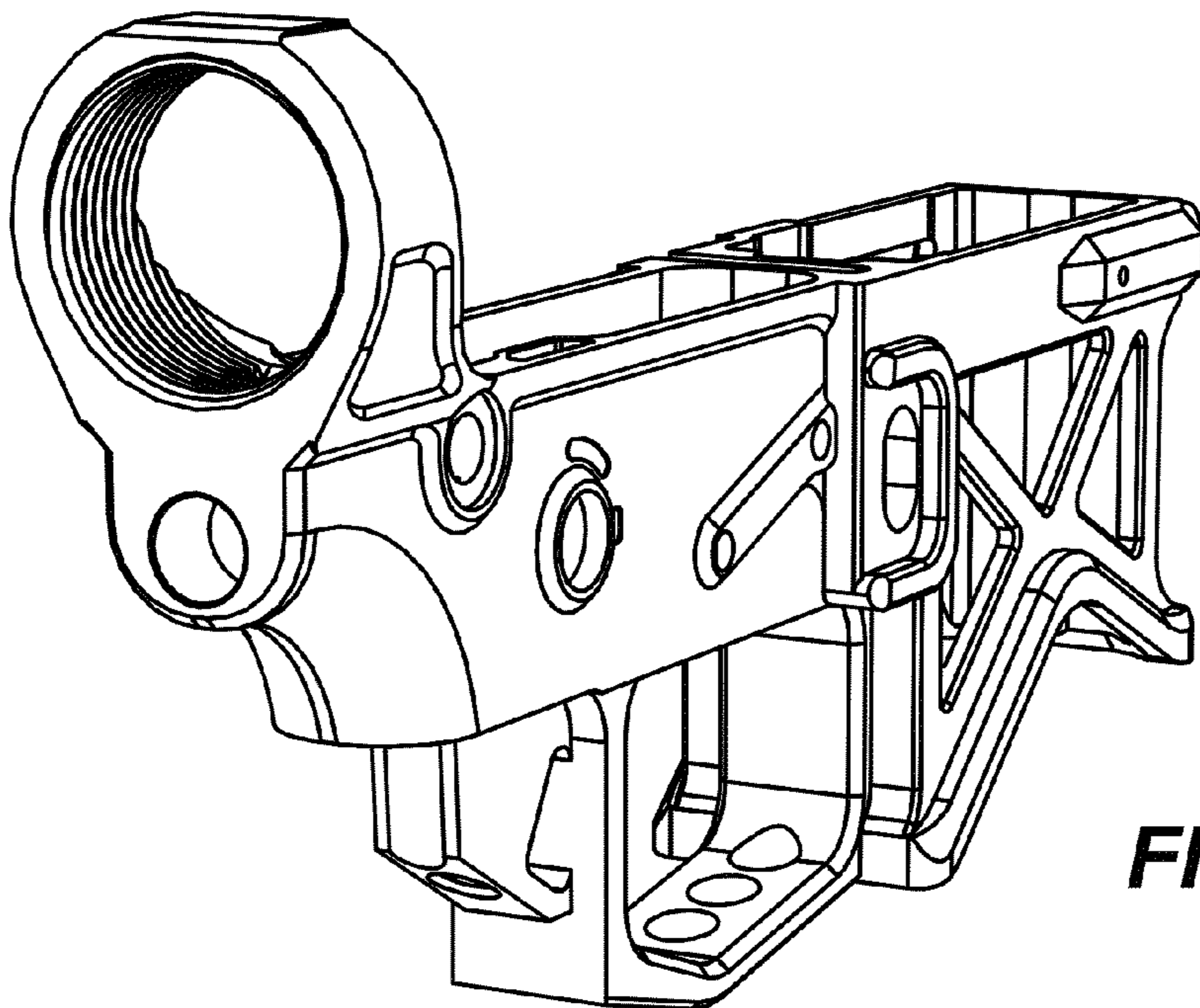
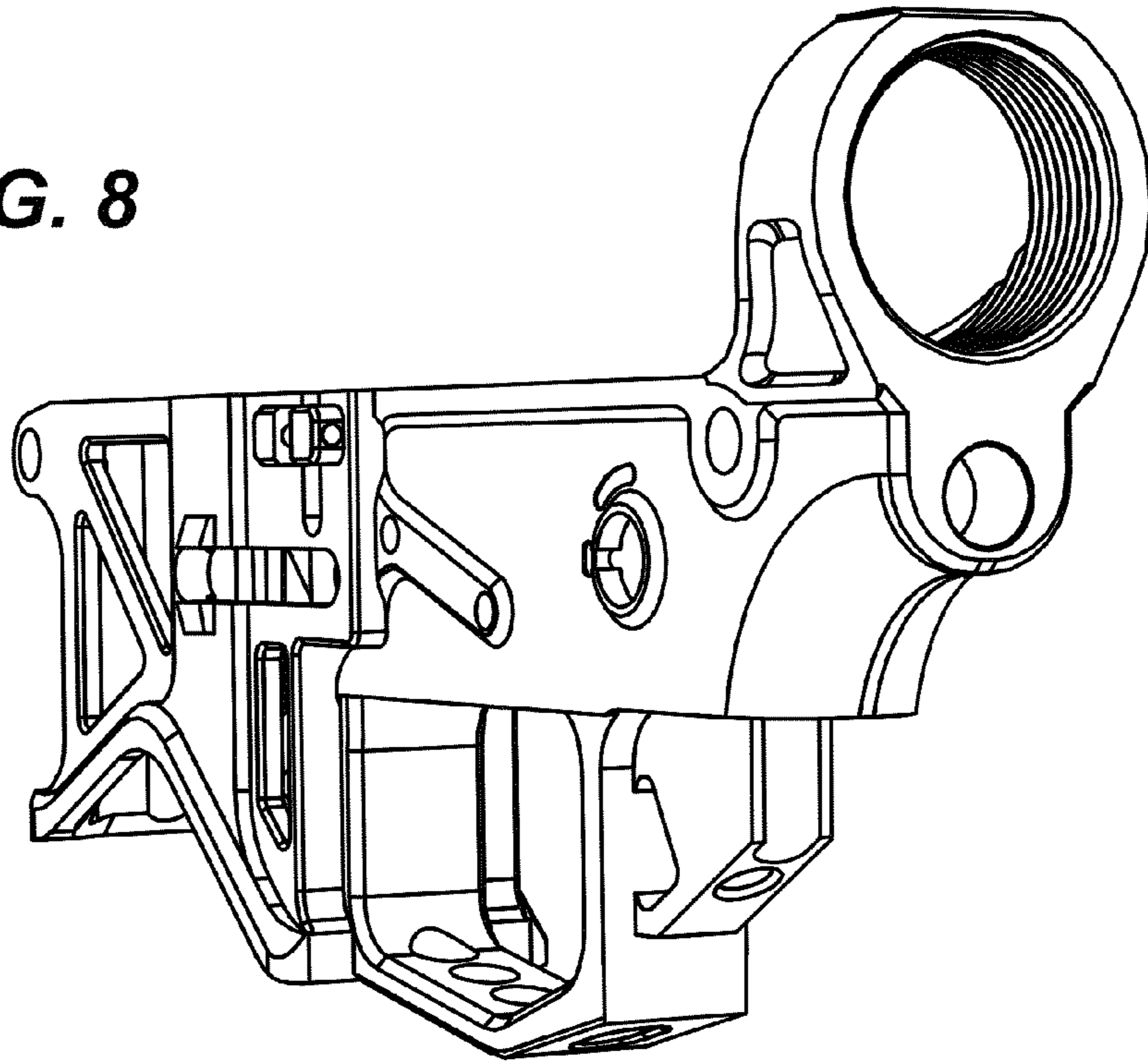


**FIG. 6**



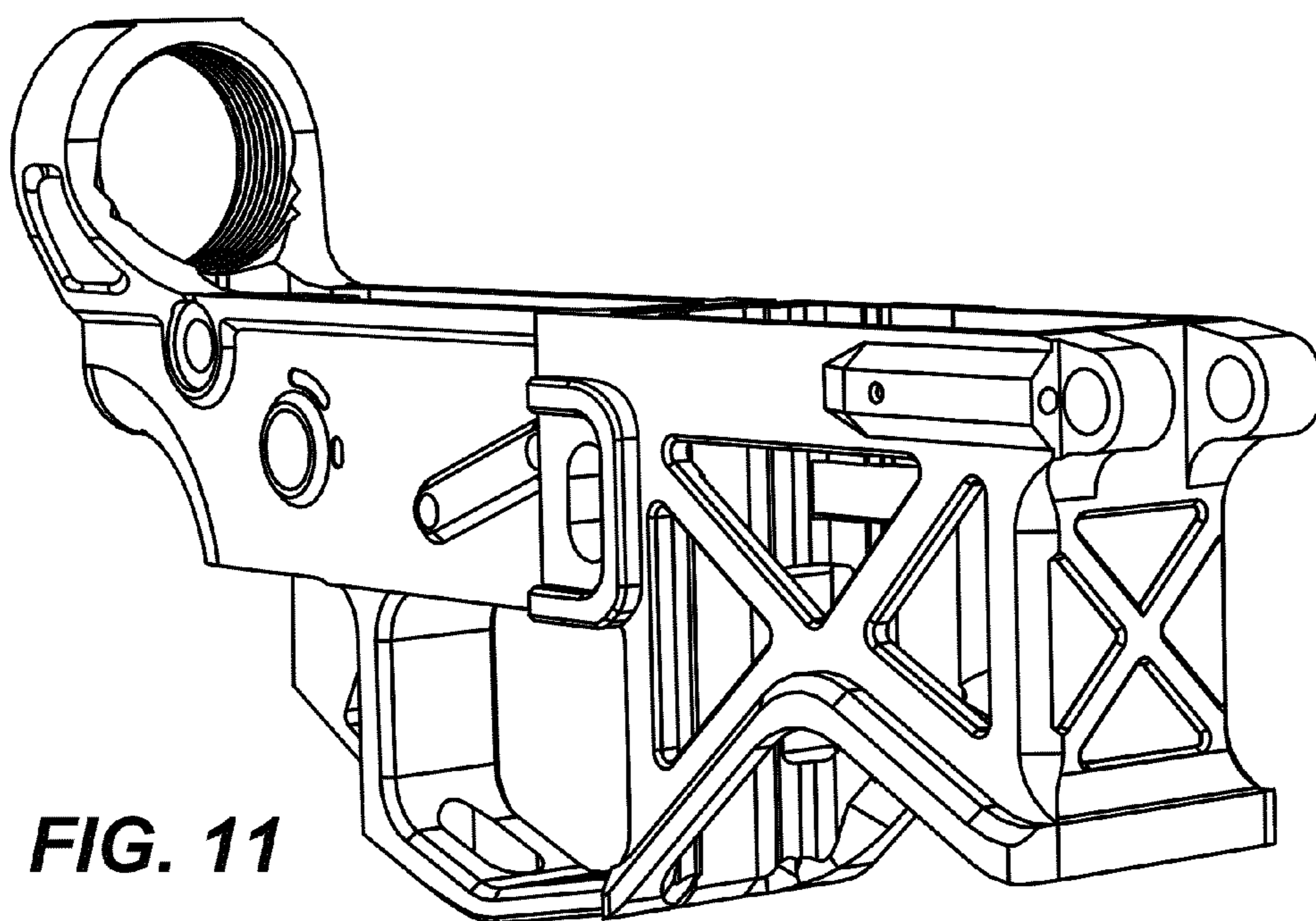
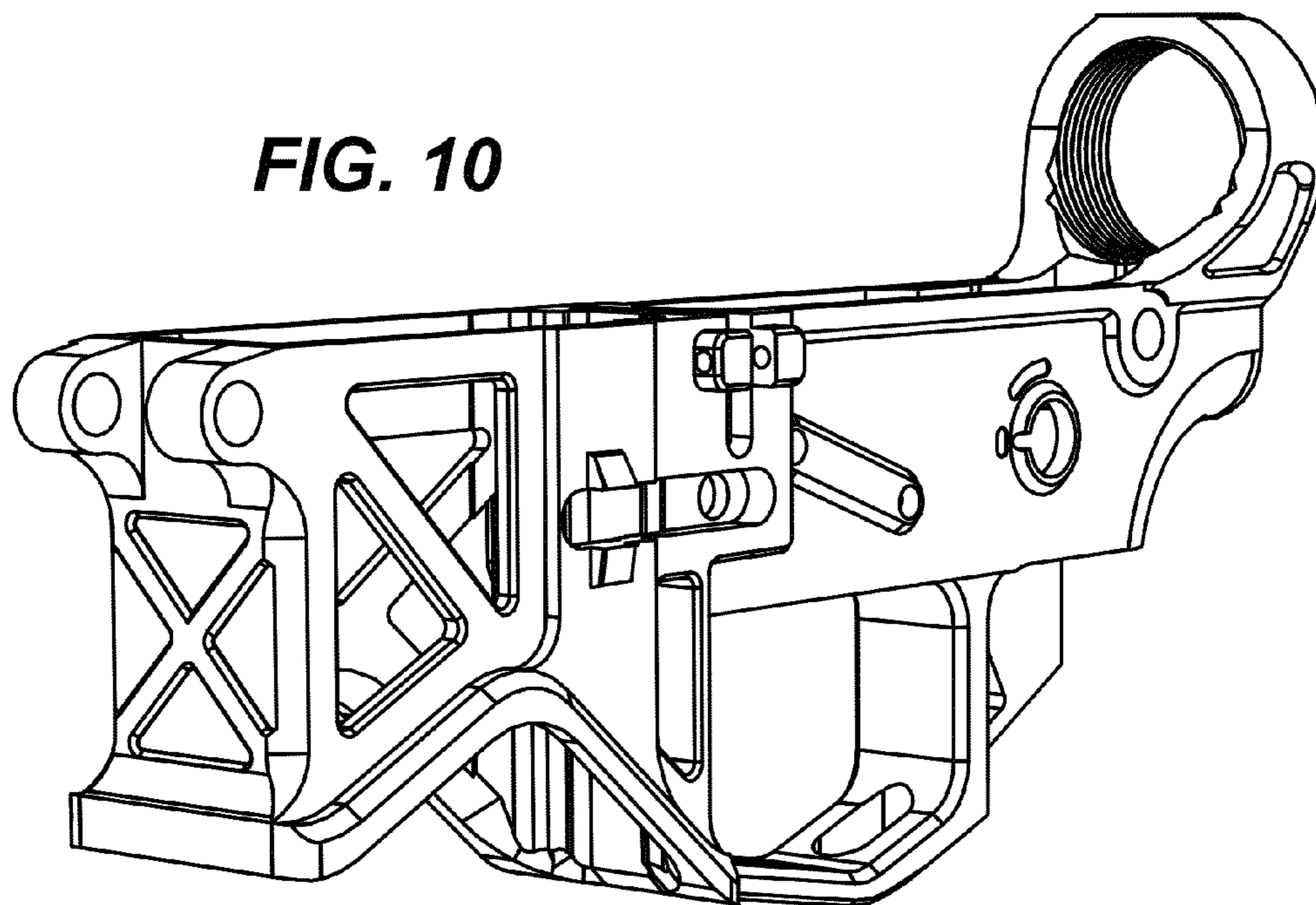
**FIG. 7**

**FIG. 8**



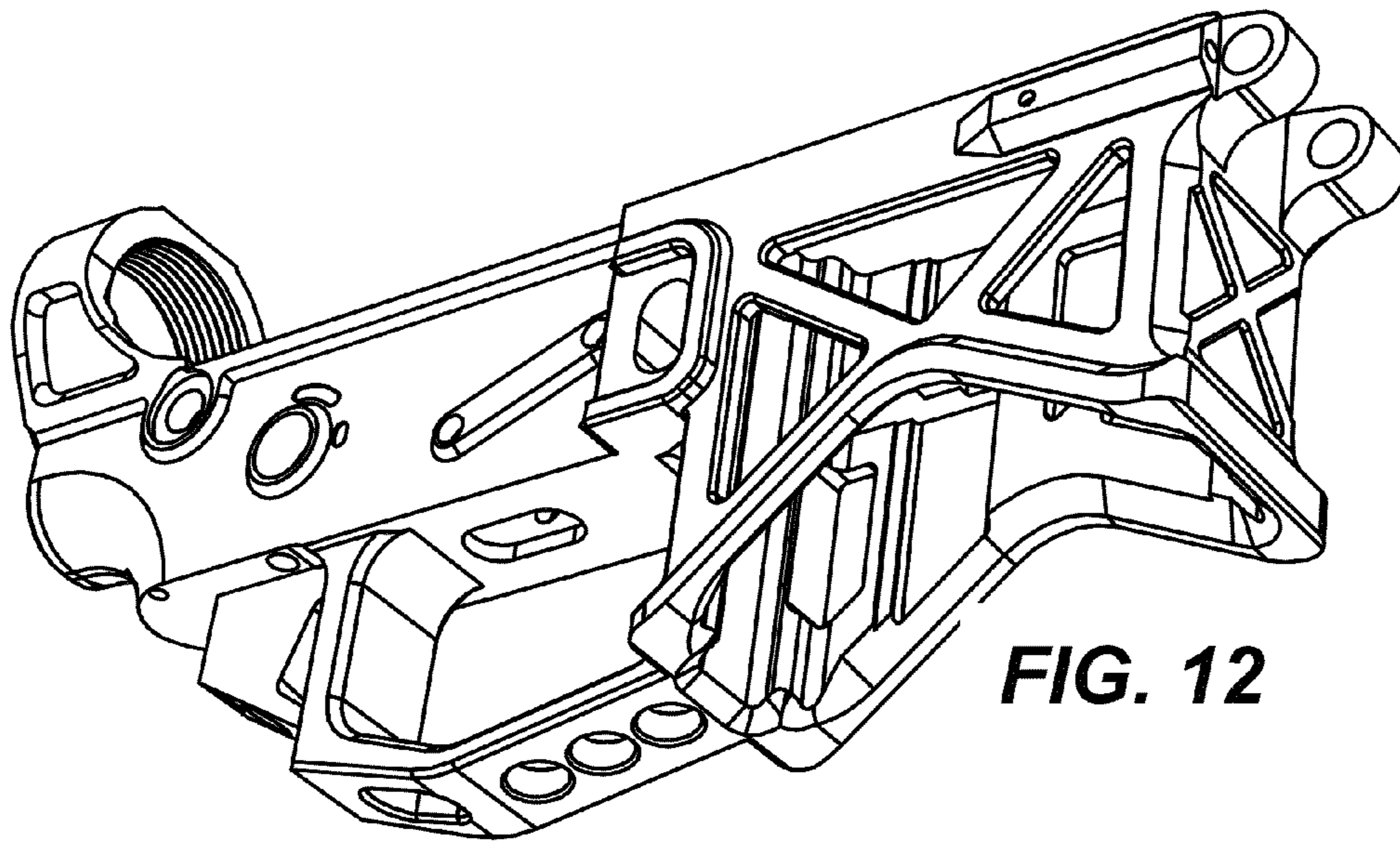
**FIG. 9**

**FIG. 10**

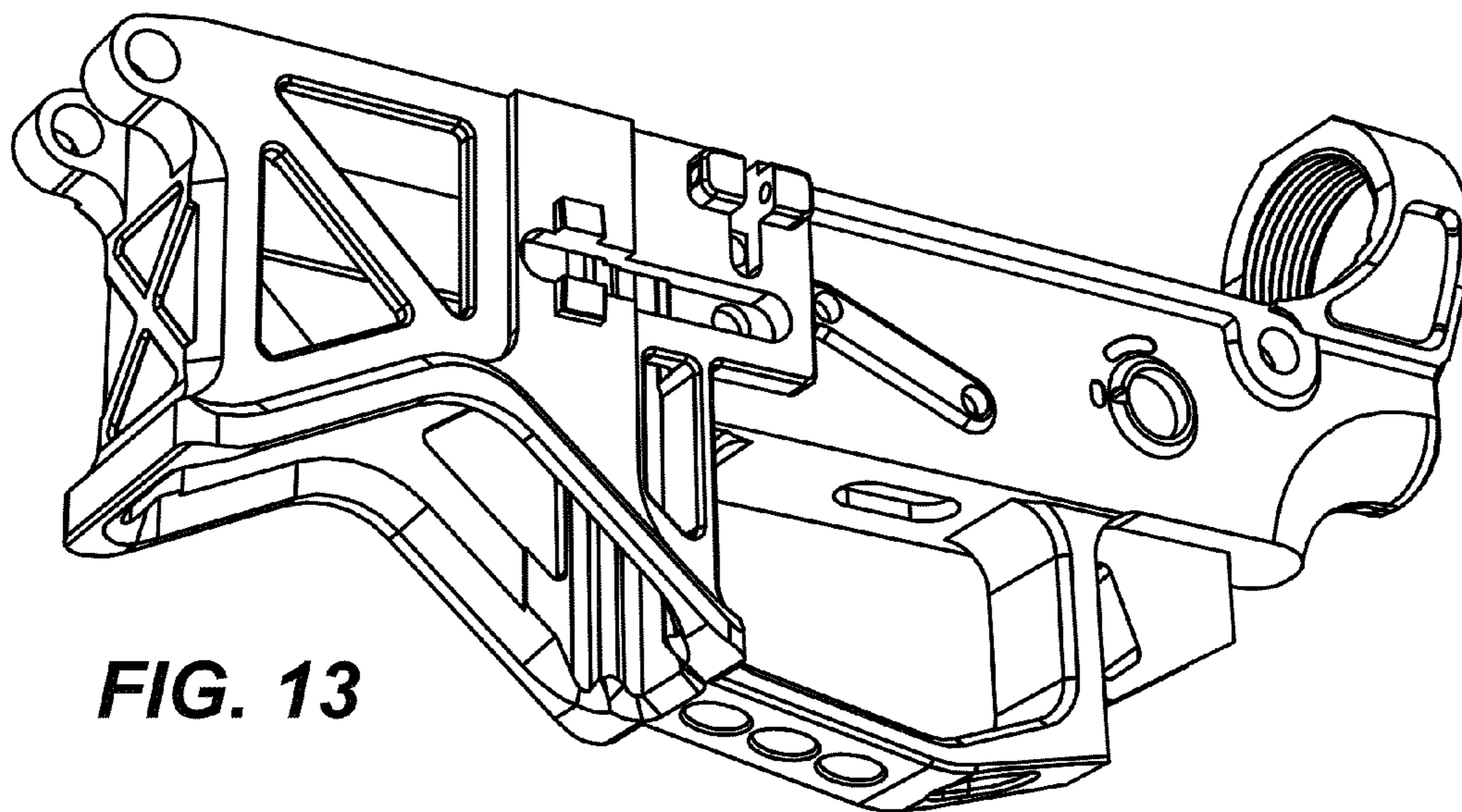


**FIG. 11**





**FIG. 12**



**FIG. 13**