



US00D746932S

(12) **United States Design Patent**
Donaghue

(10) **Patent No.:** **US D746,932 S**
(45) **Date of Patent:** **** Jan. 5, 2016**

(54) **GOLF PUTTING GUIDE**
(71) Applicant: **Point-n-Putt Pty. Ltd.**, Deakin (AU)
(72) Inventor: **Paul Joseph Donaghue**, Deakin (AU)
(73) Assignee: **Point-n-Putt Pty. Ltd.**, Deakin (AU)
(**) Term: **14 Years**

D245,035 S * 7/1977 Gordon D21/790
D353,646 S * 12/1994 Arima D21/791
5,435,547 A * 7/1995 Lee 473/225
D380,518 S * 7/1997 Barton et al. D21/791
6,443,852 B1 * 9/2002 Kim 473/265
D470,906 S * 2/2003 Shaw D21/791
D600,299 S * 9/2009 Hanley D21/791
D641,061 S * 7/2011 Finau D21/791

* cited by examiner

(21) Appl. No.: **29/512,559**
(22) Filed: **Dec. 19, 2014**

Primary Examiner — Mitchell Siegel
(74) *Attorney, Agent, or Firm* — Fish & Richardson P.C.;
Gregory A. Walters

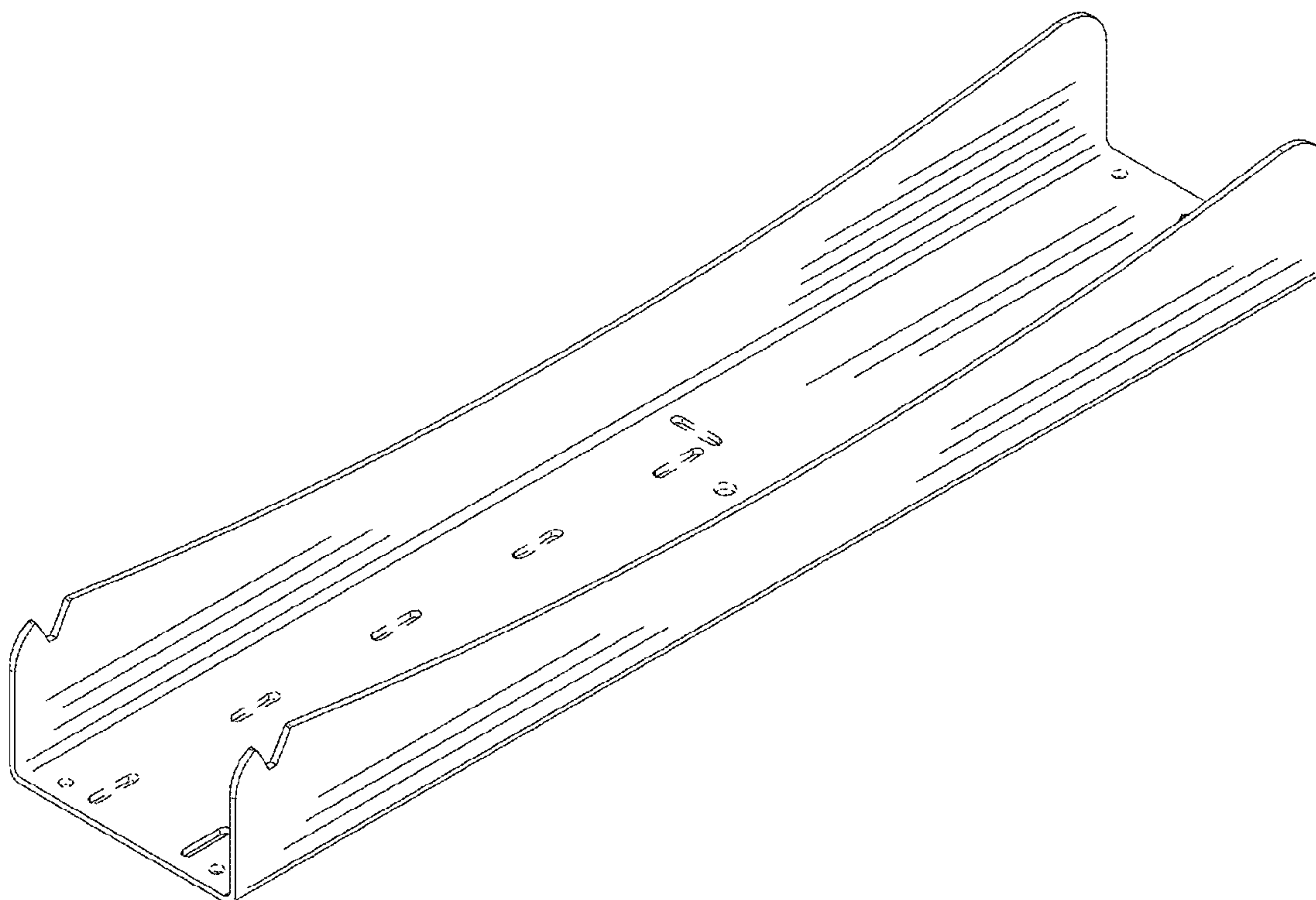
(30) **Foreign Application Priority Data**
Nov. 13, 2014 (AU) 201415789
(51) **LOC (10) Cl.** **21-02**
(52) **U.S. Cl.**
USPC **D21/791**
(58) **Field of Classification Search**
USPC D21/789, 791
CPC A63B 24/0003; A63B 69/3676; A63B
69/3644
See application file for complete search history.

(57) **CLAIM**
The ornamental design for a golf putting guide, substantially
as shown and described.

(56) **References Cited**
U.S. PATENT DOCUMENTS
3,885,796 A * 5/1975 King 473/265
3,934,874 A * 1/1976 Henderson 473/265

DESCRIPTION
FIG. 1 is a top perspective view of the new ornamental design.
FIG. 2 is a front view of the design.
FIG. 3 is a right side view of the design.
FIG. 4 is a left side view of the design.
FIG. 5 is a top view of the design; and,
FIG. 6 is a bottom view of the design.
Those features shown in broken lines represent environmental
structure and form no part of the claimed design.

1 Claim, 6 Drawing Sheets



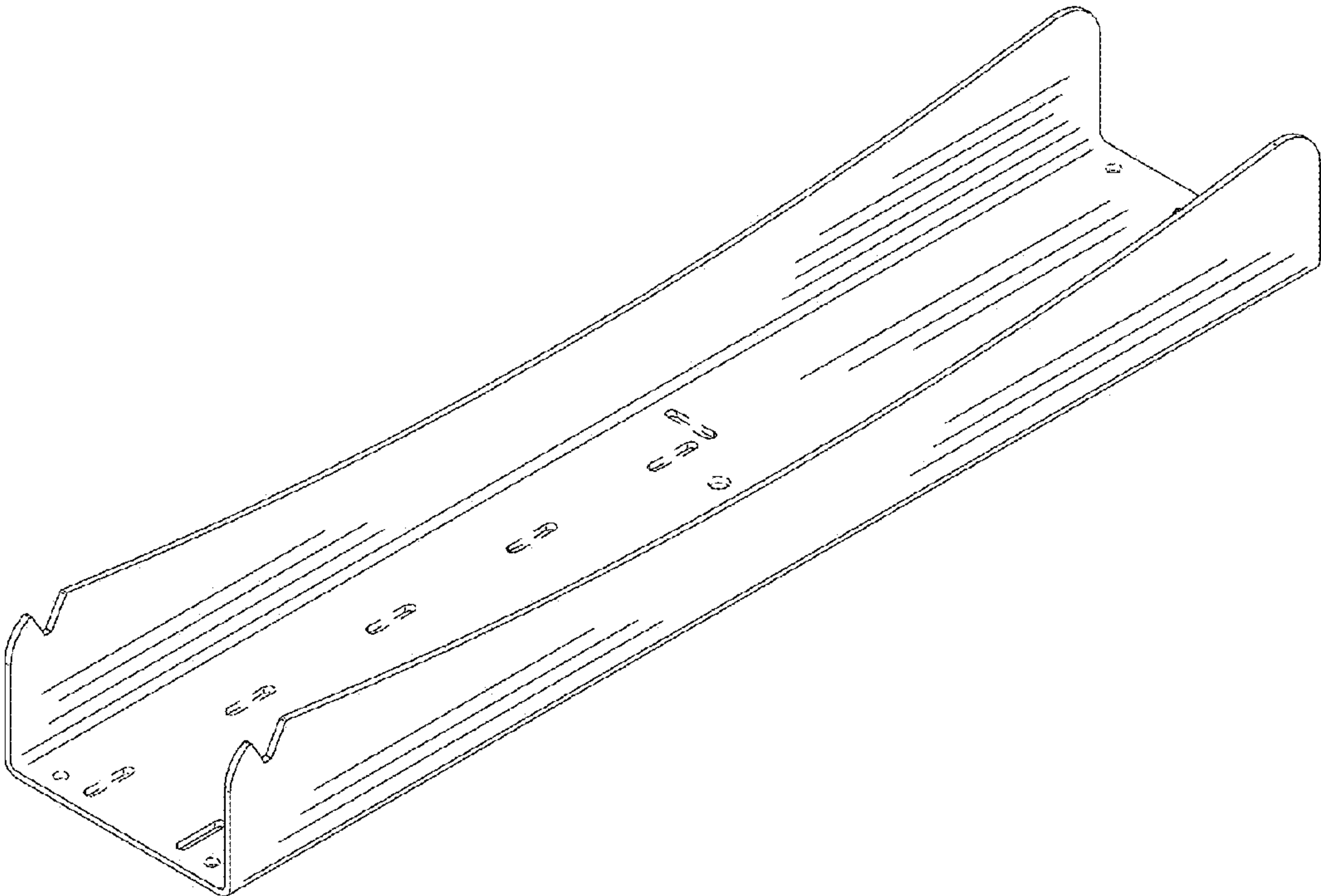


Fig. 1



Fig. 2

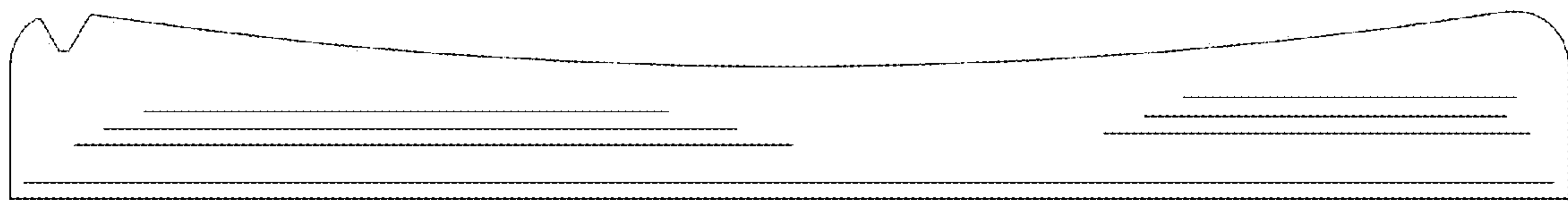


Fig. 3

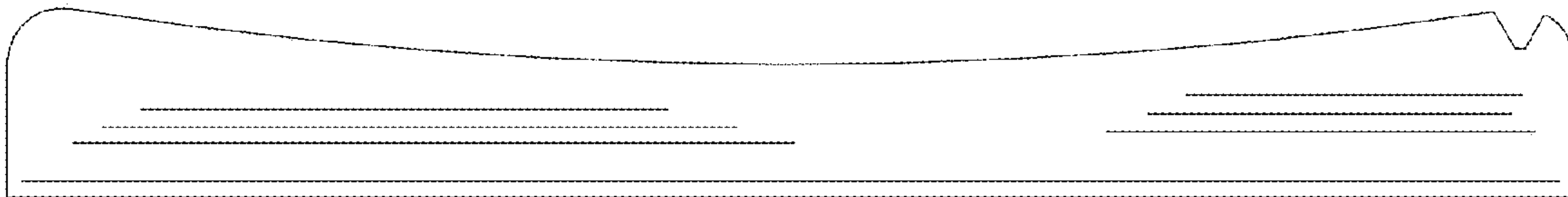


Fig. 4

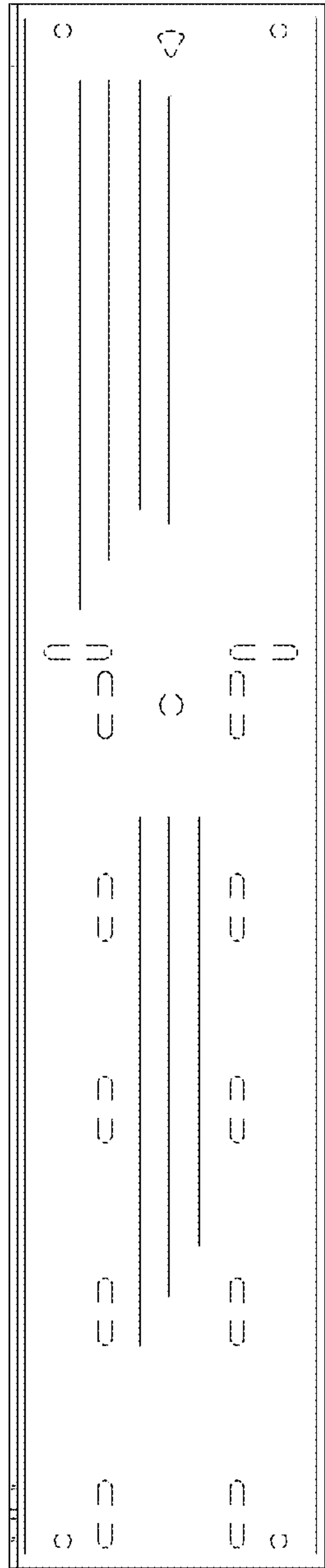


Fig. 5

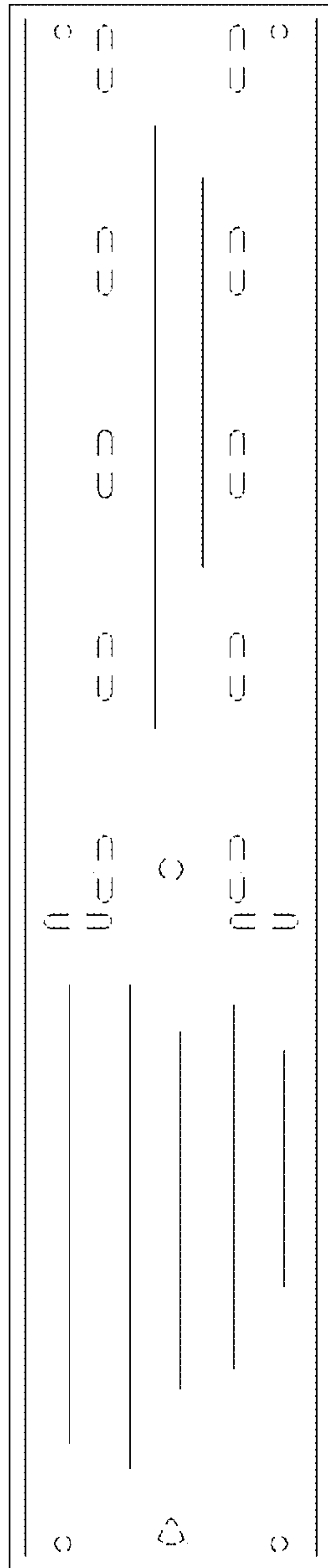


Fig. 6