



US00D746931S

(12) **United States Design Patent**
Russell

(10) **Patent No.:** **US D746,931 S**
(45) **Date of Patent:** **** Jan. 5, 2016**

- (54) **BOWLING BALL PROTECTOR**
- (71) Applicant: **Michael Richard Russell**, Lexington, TN (US)
- (72) Inventor: **Michael Richard Russell**, Lexington, TN (US)
- (**) Term: **14 Years**
- (21) Appl. No.: **29/503,032**
- (22) Filed: **Sep. 22, 2014**
- (51) **LOC (10) Cl.** **21-01**
- (52) **U.S. Cl.**
USPC **D21/785**
- (58) **Field of Classification Search**
USPC D21/300, 317, 785, 786; 473/57, 73, 473/86, 88, 98, 99, 106
CPC A63D 5/00; A63D 5/02; A63D 2005/003
See application file for complete search history.

2,947,541	A *	8/1960	Came et al.	473/85
3,031,190	A *	4/1962	Sandahl	473/86
3,116,063	A *	12/1963	Miller	473/73
D281,523	S *	11/1985	Lenhart et al.	D21/785
D282,953	S *	3/1986	Lenhard et al.	D21/785
D335,163	S *	4/1993	Cabot	D21/785
5,709,608	A *	1/1998	Koury	473/99
6,533,673	B2 *	3/2003	Wilson	473/98

* cited by examiner

Primary Examiner — Prabhakar Deshmukh

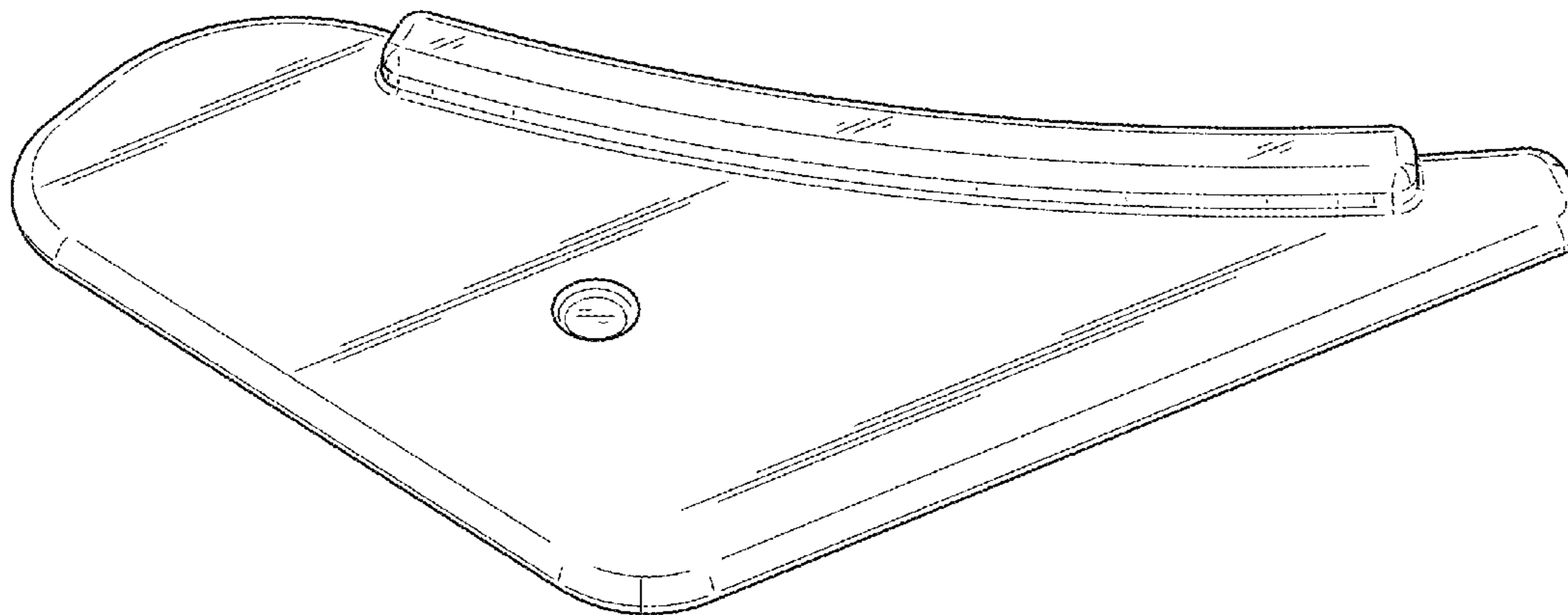
(57) **CLAIM**
The ornamental design for a bowling ball protector, as shown and described.

DESCRIPTION

FIG. 1 is a front perspective view of a bowling ball protector showing my new design;
FIG. 2 is a front elevation view thereof;
FIG. 3 is a rear elevation view thereof;
FIG. 4 is left side elevation view thereof;
FIG. 5 is a right side elevation view thereof;
FIG. 6 is a top plan view thereof; and,
FIG. 7 is a bottom plan view thereof.
The broken lines shown in the drawings illustrate portions of the bowling ball protector that form no part of the claimed design.

- (56) **References Cited**
U.S. PATENT DOCUMENTS
811,612 A * 2/1906 Bastian 473/73
2,380,601 A * 7/1945 Luth et al. 473/83
D170,664 S * 10/1953 Spear D21/317
2,688,486 A * 9/1954 Hedenskoog 473/84

1 Claim, 4 Drawing Sheets



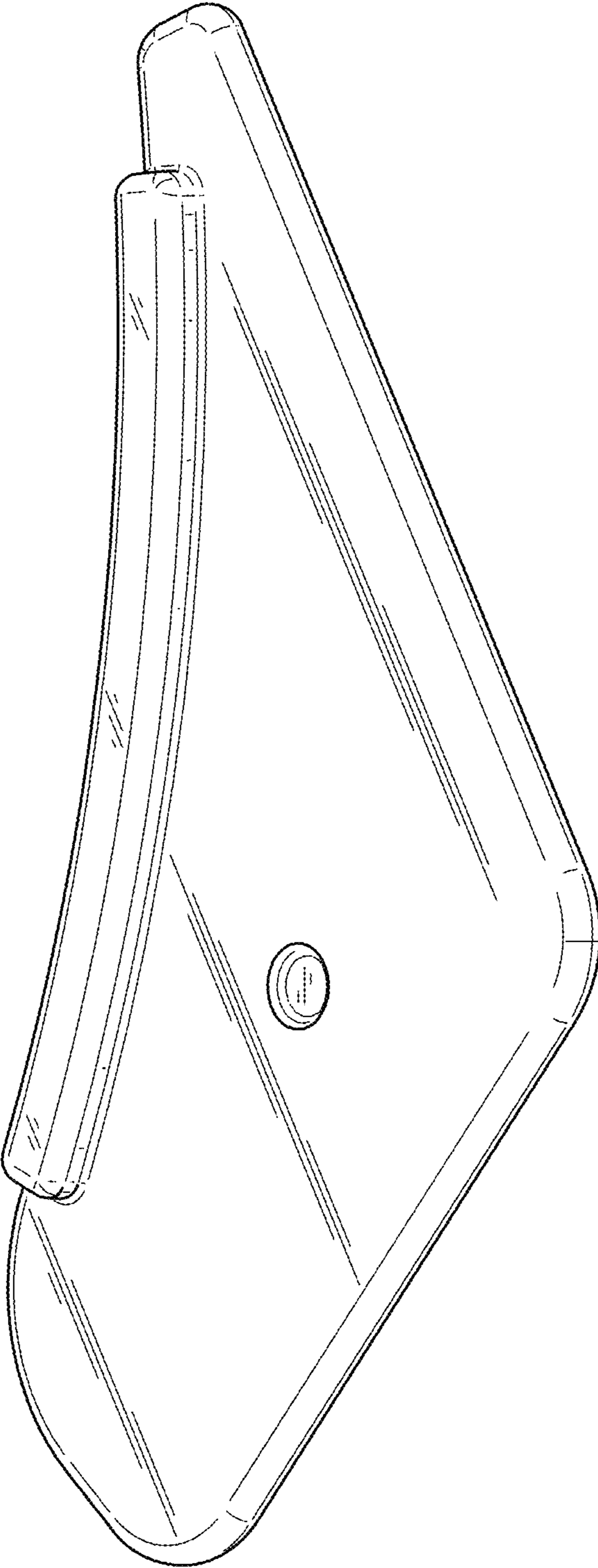


FIG. 1

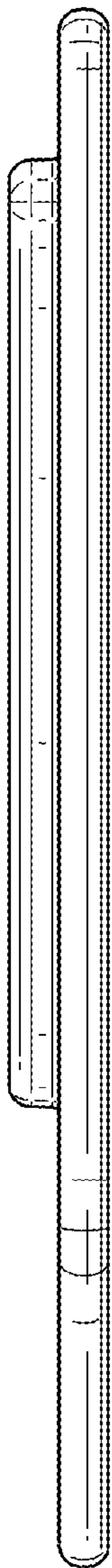


FIG. 2

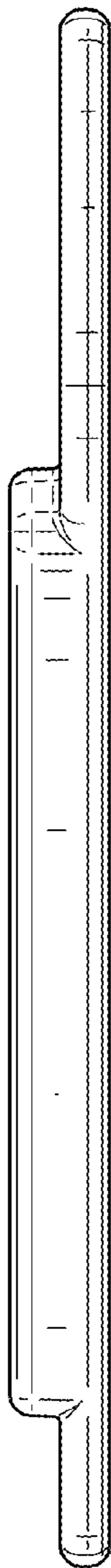


FIG. 3

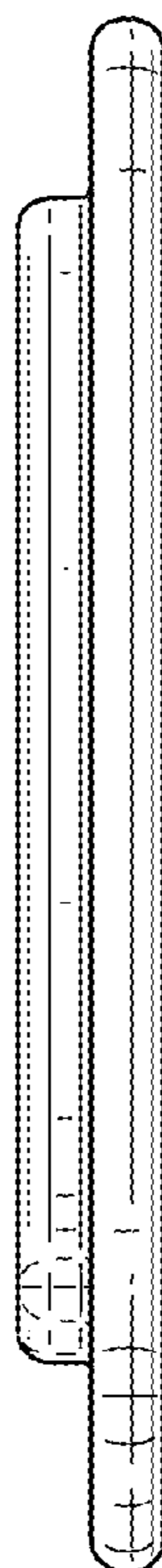


FIG. 4

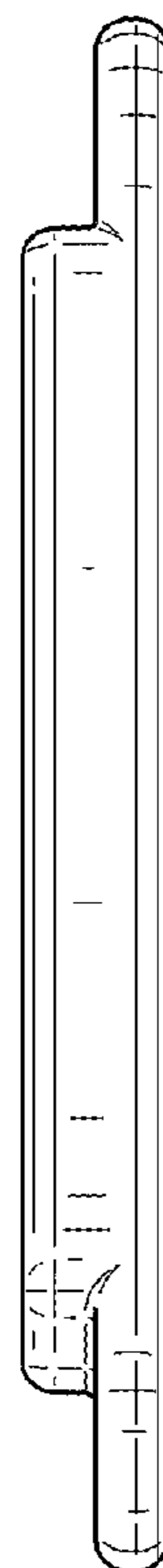


FIG. 5

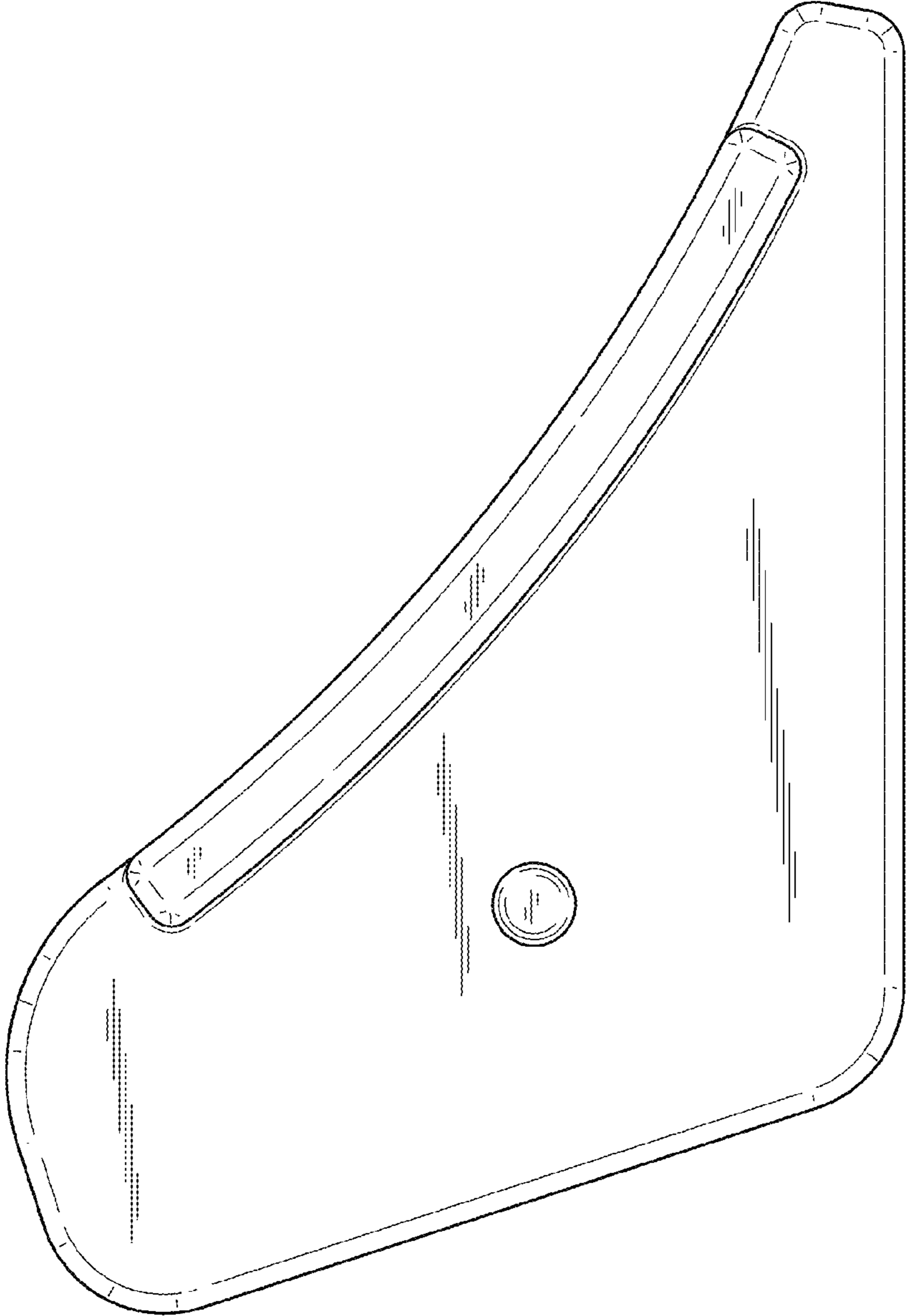


FIG. 6

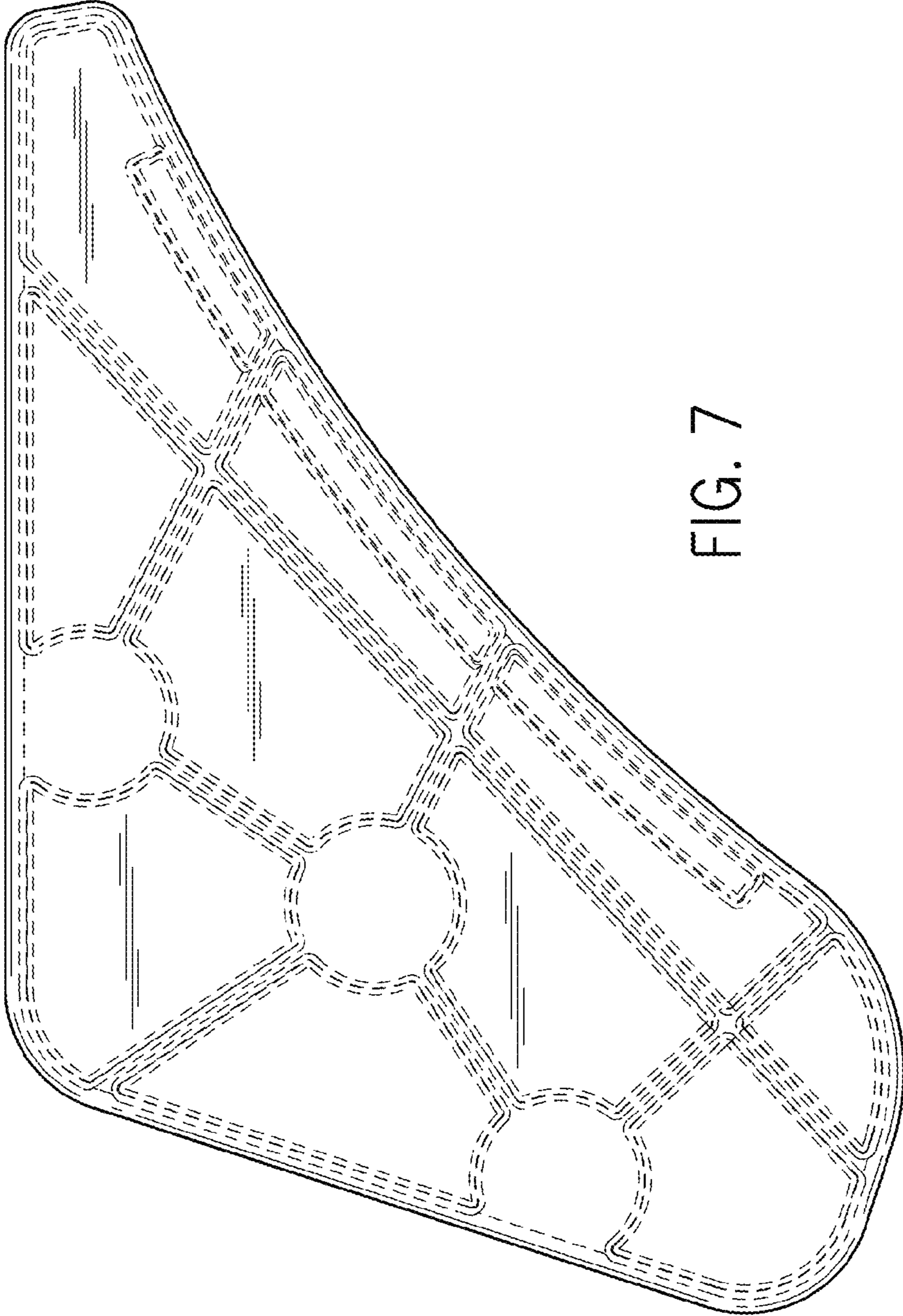


FIG. 7